



TECHNICAL GUIDE

LX SERIES SPLIT SYSTEM AIR CONDITIONERS

17 SEER - R-410A - 1 PHASE

1.5 TO 5 NOMINAL TONS

MODELS: YCG18 TO 60

FOR INSTALLATION IN ALL US REGIONS AND CANADA



Due to continuous product improvement, specifications are subject to change without notice.

Visit us on the web at

www.simplygettingthejobdone.com and
www.york.com

Additional rating information can be found at
www.ahridirectory.org

WARRANTY SUMMARY*

Extended 10-year limited parts warranty.

Standard 10-year limited compressor warranty.

Extended 10-year limited parts warranty requires online registration within 90 days of purchase for replacement or closing for new home construction.

*Does not apply to R-22 models, 3-Phase models, or Internet sales.

See the limited warranty certificate in the *User's Information Manual* for details.

DESCRIPTION

The YCG models are part of our successful LX Series split system air conditioner lineup. Optimized for tax credit and utility rebate efficiency levels, these ENERGY STAR labeled outdoor units are specifically designed to be matched with Johnson Controls Ducted Systems indoor coils, furnaces, and air handlers to provide a complete system solution.

FEATURES

- **High system efficiency** - Optimized system designs provide ENERGY STAR coil-only ratings in all tonnages. Targeted furnace and air handler matches meeting Federal Tax Credit efficiencies are available for almost all tonnages and markets.
- **Easier installation** - Independent panels provide quick access for unit setup. Installation time is reduced by easy power and control wiring access. The factory installed filter-drier and factory charge for a 15-ft lineset means less time spent brazing and charging the system.
- **Accessible information** - QR code on unit provides quick access to technical documents and warranty information.
- **Durable finish** - The coated steel wire fan guard, coated external fasteners, and pre-treated G90-equivalent galvanized steel chassis components resist corrosion and rust creep. Champagne colored powdercoat paint further protects external panels.
- **Quality coils** - The high efficiency microchannel aluminum coil is manufactured using an improved material system, providing reliable performance and smaller unit size.
- **Rugged coil protection** - Coils are protected from mechanical damage by a proven stamped steel coil guard design.
- **Protected compressor** - Compressors are protected internally by a high-pressure relief valve and a temperature sensor, and externally by the system high and low pressure switches. The liquid line filter-drier is factory installed to protect the compressor against moisture and debris.
- **Reliable operation** - ECM ball bearing fan motors provide superior performance in extreme temperatures.
- **Environmentally friendly** - CFC-free R-410A refrigerant delivers environmentally friendly performance with zero ozone depletion.
- **Top discharge** - Warm air is blown up, away from the structure and any landscaping, allowing compact location on multi-unit applications.
- **Low operating sound levels** - Specific sound and vibration development tests provide a design sound performance of 74 dBA or lower. Swept-wing fan blades are featured on units that are 2.5 tons and higher. Compatible accessories for further sound reduction are also available.
- **Better service access** - Diagonal base valves with open access for low-loss fittings, single panel access to the electrical controls, swing out control box for full corner access, and removable fan guard allow easy access for unit maintenance.
- **Agency listed** - Safety certified by CSA to UL 1995/CSA 22.2. Performance certified to ANSI/AHRI Standard 210/240 in accordance with the Unitary Small Equipment certification program.

LIST OF SECTIONS

DESCRIPTION 1
 FEATURES..... 1
 NOMENCLATURE 2
 PHYSICAL AND ELECTRICAL DATA 3
 DIMENSIONS 3
 SYSTEM CHARGE FOR VARIOUS MATCHED
 SYSTEMS - N COIL 4
 SYSTEM CHARGE FOR VARIOUS MATCHED
 SYSTEMS - A COIL 5
 CHARGING..... 5
 COOLING CAPACITY - With Air Handler Coils..... 6
 COOLING CAPACITY - Upflow, Downflow, and Horizontal
 Furnaces and Coils (Coil Only Ratings) 11
 COOLING CAPACITY - With High Efficiency Motor Furnaces .. 14
 APPLICATIONS AND ACCESSORIES 102
 SOUND POWER RATINGS 102
 MECHANICAL SPECIFICATIONS..... 103
 TYPICAL INSTALLATION 104
 TYPICAL FIELD WIRING..... 105
 ALTERNATIVE INSTALLATION CLEARANCES 105
 PERFORMANCE DATA - 1.5 TON 106
 PERFORMANCE DATA - 2 TON 111
 PERFORMANCE DATA - 2.5 TON 119
 PERFORMANCE DATA - 3 TON 131
 PERFORMANCE DATA - 3.5 TON 145
 PERFORMANCE DATA - 4 TON 157
 PERFORMANCE DATA - 5 TON 165

NOMENCLATURE

BRAND	Y	Y = York
PRODUCT TYPE	C	C = Air Conditioner
NOMINAL SERIES EFFICIENCY AND STAGING	G	G = 17 SEER/1-Stage
NOMINAL UNIT CAPACITY (MBH)	36	18 = 1.5 ton 42 = 3.5 ton 24 = 2 ton 48 = 4 ton 30 = 2.5 ton 60 = 5 ton 36 = 3 ton
REFRIGERANT	B	B = R-410A
VOLTAGE (Voltage-Phase-Hertz)	2	2 = 208/230-1-60
GENERATION (MAJOR REVISION)	1	1 = 1st Generation 2 = 2nd Generation
FACTORY OPTION	S	S = Standard (No Options)
STYLE LETTER (MINOR REVISION) NOT USED FOR ORDERING	A	A = Style A B = Style B

PHYSICAL AND ELECTRICAL DATA

Model	YCG18B21S	YCG24B21S	YCG30B21S	YCG36B21S	YCG42B21S	YCG48B21S	YCG60B21S
Unit supply voltage	208-230 V, 1 ϕ , 60 Hz						
Normal voltage range ¹ (V)	187 to 252						
Minimum circuit ampacity (A)	14.0	16.4	18.8	22.0	23.6	25.9	32.4
Maximum overcurrent device (A) ²	20	25	30	35	40	40	50
Minimum overcurrent device (A) ³	15	20	20	25	25	30	35
Compressor	Type ⁴	Scroll	Scroll	Scroll	Scroll	Scroll	Scroll
	Rated load (A)	9.0	10.9	12.8	15.4	16.6	18.5
	Locked rotor (A)	47.5	62.9	67.8	83.9	109.0	124.0
Crankcase heater	No	No	No	No	No	No	No
Factory external discharge muffler	No	No	No	No	No	No	No
Hard start kit required with TXV ⁵	No	No	No	No	No	No	No
Hard start kit part number (S1-2SA067****)	21806	10106	10106	10106	10106	10106	10106
Fan diameter (in.)	22	22	24	24	26	26	26
Fan motor	Rated HP	1/3	1/3	1/3	1/3	1/3	1/3
	Rated load (A)	2.80	2.80	2.80	2.80	2.80	2.80
	Nominal RPM	917	917	682	682	875	834
	Nominal CFM	2575	2575	3000	3000	4100	4275
Coil	Face area (sq ft)	13.83	13.83	21.06	21.06	25.28	27.40
	Rows deep	1	1	1	1	1	1
	Fins per inch	23	23	23	23	23	23
Liquid refrigeration piping outdoor (field installed)	3/8	3/8	3/8	3/8	3/8	3/8	3/8
Vapor refrigeration piping outdoor (field installed) ⁶	3/4	3/4	3/4	3/4	7/8	7/8	1 1/8 [‡]
Unit charge (lb - oz) ⁷	3 - 10	3 - 10	4 - 11	4 - 9	6 - 6	6 - 11	7 - 14
Charge (oz/ft)	0.62	0.62	0.62	0.62	0.67	0.67	0.75
Operating weight (lb)	150	150	165	175	220	220	235

1. Rated in accordance with AHRI Standard 110-2012, utilization range A.

2. Dual element fuses or HACR circuit breaker. Maximum allowable overcurrent protection.

3. Dual element fuses or HACR circuit breaker. Minimum recommended overcurrent protection.

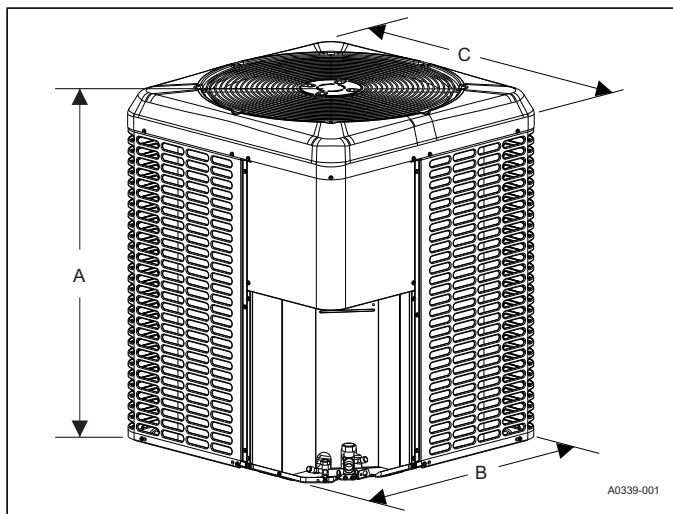
4. Rotary compressor models are limited to an equivalent length of refrigeration piping of 100 ft with no exceptions.

5. Refer to the *Hard Start Kit Accessory Installation Manual* for the hard start kit part number for each model. The hard start kit is a field installed accessory.

6. For applications with non-standard vapor line sizes, refer to the *APPLICATIONS AND ACCESSORIES* section in the *Technical Guide*.

7. The unit charge is correct for the outdoor unit, smallest matched indoor unit, and 15 ft of refrigerant tubing. For tubing lengths other than 15 ft, add or subtract the amount of refrigerant, using the difference in actual refrigeration piping length (not the equivalent length) multiplied by the per foot value.

‡ The adapter fitting must be field installed for the required 1 1/8 in. refrigeration piping.



DIMENSIONS

Unit Model	Dimensions (in.)			Refrigerant Connection Service Valve Size	
	A	B	C	Liquid	Vapor
YCG18B21S	30	29 1/4	29 1/4	3/8	3/4
YCG24B21S	30	29 1/4	29 1/4		
YCG30B21S	36 1/4	35 1/4	31 3/4		
YCG36B21S	36 1/4	35 1/4	31 3/4		7/8
YCG42B21S	39 1/2	38	34 1/4		
YCG48B21S	39 1/2	38	34 1/4		7/8 [‡]
YCG60B21S	42 3/4	38	34 1/4		

‡ Adapter fitting must be field installed for the required 1 1/8 in. refrigeration piping.

Notes:

- All dimensions are in inches and are subject to change without notice.
- The overall height is from the bottom of the base pan to the top of the fan guard.
- The overall length and width include screw heads.

SYSTEM CHARGE FOR VARIOUS MATCHED SYSTEMS - N COIL

Outdoor unit	YCG18B21S	YCG24B21S	YCG30B21S	YCG36B21S	YCG42B21S	YCG48B21S	YCG60B21S
Required indoor metering device ^{1,2}	BA1	BA1	BH1	BA1	BB1	BC1	BG1
Indoor unit ^{3,4,5}	Additional charge (oz)						
AP18B	0	–	–	–	–	–	–
AP24B	3	0	–	–	–	–	–
AP30B	10	7	2	–	–	–	–
AP36B	10	7	2	0	–	–	–
AP36C	–	11	2	2	–	–	–
AP42C	–	11	4	2	0	–	–
AP48(C,D)	–	–	–	6	5	0	–
AP60(C,D)	–	–	–	10	9	4	0
AE18B	0	–	–	–	–	–	–
AE24B	3	0	–	–	–	–	–
AE30B	8	5	0	–	–	–	–
AE36(B,C)	10	7	4	0	–	–	–
AE42C	–	–	–	6	5	–	–
AE48(C,D)	–	–	–	6	5	0	–
AE60C	–	–	–	10	9	4	0
AE60D	–	–	–	–	29	22	16
AVC18B	0	–	–	–	–	–	–
AVC24B	3	0	–	–	–	–	–
AVC30B	8	5	0	–	–	–	–
AVC36(B,C)	10	7	4	0	–	–	–
AVC42C	–	–	–	6	5	–	–
AVC48(C,D)	–	–	–	6	5	0	–
AVC60C	–	–	–	10	9	4	0
AVC60D	–	–	–	–	29	22	16
CF/CM/CU18(A,B)	0	–	–	–	–	–	–
CF/CM/CU24(A,B)	3	0	–	–	–	–	–
CF/CM/CU30(A,B,C)	8	5	0	–	–	–	–
CF/CM/CU36(A,B,C,D)	10	7	2	0	–	–	–
CF/CM/CU42(B,C,D)	–	11	4	2	0	–	–
CF/CM/CU48(C,D)	–	–	–	6	5	0	–
CF/CM/CU60(C,D)	–	–	–	10	9	4	0
CF/CM64D	–	–	–	–	29	22	16

Some of the combinations shown in this table require Advanced Main Air Circulating Fan indoor product. For approved coil only matches, see the *COOLING CAPACITY - Upflow, Downflow, and Horizontal Furnaces and Coils (Coil Only Ratings)* table.

1. For applications requiring a TXV, use S1-1TVM*** series kit.
2. A TXV kit must be used with these indoor units to obtain system performance.
3. Systems matched with furnaces or air handlers not equipped with blower off delays may require blower time delay.
4. Do not use CF coils in horizontal applications.
5. Charge adders shown above do not indicate that coils are rated for every application. See the performance data tables for actual performance for specified system matches. Obtain certified system ratings from www.ahridirectory.org.

SYSTEM CHARGE FOR VARIOUS MATCHED SYSTEMS - A COIL

Outdoor unit	YCG18B21S	YCG24B21S	YCG30B21S	YCG36B21S	YCG42B21S	YCG48B21S	YCG60B21S
Required indoor metering device ^{1,2}	BA1	BA1	BA1	BC1	BC1	BC1	BC1
Indoor unit ^{3,4,5}	Additional charge (oz)						
XAF/XAH/XAUA24B	2	0	-	-	-	-	-
XAF/XAH/XAUB30C	-	3	0	-	-	-	-
XAF/XAH/XAUB36D	-	-	6	0	-	-	-
XAF/XAH/XAUC42E	-	-	8	2	0	-	-
XAF/XAH/XAUC48F	-	-	-	6	2	0	-
XAF/XAH/XAUC60G	-	-	-	-	11	5	0
XAF/XAH/XAUD60G	-	-	-	-	11	5	0
XAF/XAH/XAUD60H	-	-	-	-	-	-	6
XAF/XAHB24B	2	0	-	-	-	-	-
XAF/XAHC30C	-	3	0	-	-	-	-
XAF/XAHC36D	-	-	6	0	-	-	-
XAF/XAHC60H	-	-	-	-	-	-	6
XAF/XAHD42E	-	-	8	2	0	-	-
XAF/XAHD48F	-	-	-	6	2	0	-
XAFA30D	-	-	6	-	-	-	-
XAFB36E	-	-	8	2	-	-	-

Some of the combinations shown in this table require advanced main air circulating fan indoor product. For approved coil only matches, refer to the *COOLING CAPACITY - Upflow, Downflow and Horizontal Furnaces and Coils (Coil Only Ratings)* table in the *Technical Guide*.

- For applications that require a TXV, use S1-1TVM*** series kit.
- Use a TXV kit with these indoor units to obtain system performance.
- Systems matched with furnaces or air handlers not equipped with blower-off delays may require blower time delay.
- Do not use XAF or XAU coils in horizontal applications. Do not use XAH coils in upflow or downflow applications.
- Charge adders shown above do not indicate that coils are rated for every application. Refer to the performance data tables in the *Technical Guide* for actual performance for specified system matches. Obtain certified system ratings from www.ahridirectory.org.

CHARGING

- Check the factory unit charge listed on the unit nameplate to verify the refrigerant charge for the outdoor unit, the smallest matched indoor unit, and the 15 ft of interconnecting refrigeration piping.
- Verify the indoor metering device and additional charge required for the specific matched indoor unit in the system using the table above.
- Add additional charge for the amount of interconnecting refrigeration piping greater than 15 ft at the rate specified in the *Physical and electrical data* table.
- For installations requiring additional charge, weigh in refrigerant for the specific matching indoor unit and actual refrigeration piping length.
- After weighing in the charge adders for the matched indoor unit and refrigeration piping, verify the system operation against the temperatures and pressures in the charging chart for the outdoor unit. Locate the charging charts on the outdoor unit and also in the *Service Data Application Guide* on www.simplygettingthejobdone.com. Follow the subcool or superheat charging procedure in the *Installation Manual* according to the type of indoor metering device in the system, and allow 10 min after each charge adjustment for the system operation to stabilize. Record the charge adjustment made to match the charging chart.
- Permanently stamp the unit nameplate with the **total system charge** defined as follows: total system charge = base charge (as shipped) + charge adder for matched indoor unit + charge adder for actual refrigeration piping length + charge adjustments to match the charging chart.

COOLING CAPACITY - With Air Handler Coils

UNIT MODEL	AIR HANDLER		COIL MODEL ¹	COOLING				
	MODEL	WIDTH		RATED CFM	NET MBH		SEER	EER
					TOTAL	SENS.		
YCG18B21S	AE18BX21	17.5	—	625	18.0	13.8	18.50	15.00
YCG18B21S	AE24BX21	17.5	—	625	18.0	13.5	18.50	15.00
YCG18B21S	AE30BX21	17.5	—	650	18.0	13.7	18.50	15.00
YCG18B21S	AE36BX21	17.5	—	675	18.0	14.1	18.00	14.25
YCG18B21S	AE36CX21	21.0	—	675	18.0	14.0	18.50	14.75
YCG18B21S	AP18BX21	17.5	—	600	18.0	13.5	16.25	13.25
YCG18B21S	AP24BX21	17.5	—	600	18.0	13.5	16.00	13.00
YCG18B21S	AP30BX21	17.5	—	600	18.0	13.5	16.25	13.00
YCG18B21S	AVC18BX21	17.5	—	600	18.0	13.6	18.00	14.50
YCG18B21S	AVC24BX21	17.5	—	600	18.0	13.6	18.50	14.75
YCG18B21S	AVC30BX21	17.5	—	600	18.0	13.5	18.50	15.00
YCG18B21S	ME08BN21	17.5	CF/CM18B	600	18.0	13.7	18.50	15.00
YCG18B21S	ME08BN21	17.5	CF/CM24B	600	18.0	13.6	18.50	15.00
YCG18B21S	ME08BN21	17.5	CF/CM30B	600	18.0	13.5	18.50	15.00
YCG18B21S	ME08BN21	17.5	CF/CM36B	600	18.0	13.6	18.50	15.00
YCG18B21S	ME12BN21	17.5	CF/CM18B	675	18.0	14.2	17.00	13.75
YCG18B21S	ME12BN21	17.5	CF/CM24B	675	18.0	14.1	17.00	14.00
YCG18B21S	ME12BN21	17.5	CF/CM30B	675	18.0	14.0	17.50	14.25
YCG18B21S	ME12BN21	17.5	CF/CM36B	675	18.0	14.0	17.50	14.25
YCG18B21S	MVC08BN21	17.5	CF/CM18B	600	18.0	13.7	18.00	14.75
YCG18B21S	MVC08BN21	17.5	CF/CM24B	625	18.0	14.1	18.50	15.00
YCG18B21S	MVC08BN21	17.5	CF/CM30B	625	18.0	14.0	18.50	15.00
YCG18B21S	MVC08BN21	17.5	CF/CM36B	625	18.0	14.0	18.50	14.75
YCG18B21S	MVC12BN21	17.5	CF/CM36B	675	18.0	14.0	18.50	14.75
YCG24B21S	AE24BX21	17.5	—	800	24.0	18.4	17.50	14.25
YCG24B21S	AE30BX21	17.5	—	825	24.0	18.5	18.00	14.75
YCG24B21S	AE36BX21	17.5	—	825	24.0	18.5	18.50	15.00
YCG24B21S	AE36CX21	21.0	—	850	24.0	18.6	18.50	15.00
YCG24B21S	AP24BX21	17.5	—	775	23.6	17.8	15.50	12.75
YCG24B21S	AP30BX21	17.5	—	800	24.0	18.1	16.50	13.50
YCG24B21S	AP36BX21	17.5	—	900	24.0	19.2	16.00	13.00
YCG24B21S	AP36CX21	21.0	—	850	24.0	18.6	16.00	13.00
YCG24B21S	AVC24BX21	17.5	—	675	23.6	17.0	17.50	14.25
YCG24B21S	AVC30BX21	17.5	—	750	24.0	18.1	18.50	14.75
YCG24B21S	AVC36BX21	17.5	—	800	24.0	18.3	18.50	15.00
YCG24B21S	AVC36CX21	21.0	—	850	24.0	19.1	18.50	15.00
YCG24B21S	ME08BN21	17.5	CF/CM24B	825	24.0	18.7	18.00	14.50
YCG24B21S	ME08BN21	17.5	CF/CM30B	825	24.0	18.6	18.50	15.00
YCG24B21S	ME08BN21	17.5	CF/CM36B	825	24.0	18.7	18.50	15.00
YCG24B21S	ME08BN21	17.5	CF42B	775	24.0	18.0	18.50	14.75
YCG24B21S	ME12BN21	17.5	CF/CM24B	825	24.0	18.8	17.50	14.50
YCG24B21S	ME12BN21	17.5	CF/CM30B	825	24.0	18.6	18.00	14.50
YCG24B21S	ME12BN21	17.5	CF/CM36B	825	24.0	18.8	18.50	14.75
YCG24B21S	ME12BN21	17.5	CF42B	800	24.0	18.1	18.00	14.75
YCG24B21S	ME14DN21	24.5	CF/CM30D	900	24.0	19.3	17.50	14.25
YCG24B21S	ME14DN21	24.5	CF/CM36D	900	24.0	19.2	18.00	14.50
YCG24B21S	ME14DN21	24.5	CF/CM42D	900	24.0	19.0	18.00	14.75
YCG24B21S	ME16CN21	21.0	CF/CM24C	900	24.0	19.1	16.25	13.25
YCG24B21S	MVC08BN21	17.5	CF/CM24B	700	23.4	17.1	17.50	14.25
YCG24B21S	MVC08BN21	17.5	CF/CM30B	725	24.0	17.8	18.00	14.50
YCG24B21S	MVC08BN21	17.5	CF/CM36B	750	24.0	17.8	17.50	14.25
YCG24B21S	MVC08BN21	17.5	CF42B	725	24.0	17.6	17.50	14.50

COOLING CAPACITY - With Air Handler Coils (Continued)

UNIT MODEL	AIR HANDLER		COIL MODEL ¹	COOLING				
	MODEL	WIDTH		RATED CFM	NET MBH		SEER	EER
					TOTAL	SENS.		
YCG24B21S	MVC12BN21	17.5	CF/CM24B	800	24.0	18.3	17.50	14.00
YCG24B21S	MVC12BN21	17.5	CF/CM30B	700	24.0	17.8	18.00	14.50
YCG24B21S	MVC12BN21	17.5	CF/CM36B	775	24.0	17.8	17.50	14.50
YCG24B21S	MVC12BN21	17.5	CF42B	700	24.0	17.7	18.00	14.75
YCG24B21S	MVC14DN21	24.5	CF/CM30D	750	24.0	17.8	17.50	14.25
YCG24B21S	MVC14DN21	24.5	CF/CM36D	825	24.0	18.6	18.50	15.00
YCG24B21S	MVC14DN21	24.5	CF/CM42D	825	24.0	18.5	18.50	15.00
YCG24B21S	MVC16CN21	21.0	CF/CM24C	850	24.0	18.9	17.50	14.25
YCG24B21S	MVC16CN21	21.0	CF/CM30C	850	24.0	18.8	17.50	14.50
YCG24B21S	MVC16CN21	21.0	CF/CM36C	850	24.0	18.8	18.00	14.75
YCG24B21S	MVC16CN21	21.0	CF/CM42C	850	24.0	18.7	18.00	14.75
YCG30B21S	AE30BX21	17.5	—	825	27.8	19.2	17.00	14.00
YCG30B21S	AE36BX21	17.5	—	1000	29.2	21.6	17.00	14.25
YCG30B21S	AE36CX21	21.0	—	1025	29.2	21.8	17.50	14.50
YCG30B21S	AP30BX21	17.5	—	1000	28.2	21.0	15.25	12.75
YCG30B21S	AP36BX21	17.5	—	1000	28.6	21.2	15.25	13.00
YCG30B21S	AP36CX21	21.0	—	1000	29.0	21.0	15.50	13.00
YCG30B21S	AVC30BX21	17.5	—	825	27.6	19.1	16.50	13.75
YCG30B21S	AVC36BX21	17.5	—	975	29.2	22.0	17.00	14.25
YCG30B21S	AVC36CX21	21.0	—	950	29.0	21.2	17.50	14.50
YCG30B21S	ME08BN21	17.5	CF/CM30B	900	28.2	20.2	17.00	14.00
YCG30B21S	ME08BN21	17.5	CF/CM36B	900	28.8	20.6	17.00	14.25
YCG30B21S	ME08BN21	17.5	CF42B	875	29.0	20.2	17.00	14.25
YCG30B21S	ME12BN21	17.5	CF/CM30B	825	27.8	19.0	17.00	14.00
YCG30B21S	ME12BN21	17.5	CF/CM36B	825	28.4	19.7	17.00	14.25
YCG30B21S	ME12BN21	17.5	CF42B	975	29.4	21.4	17.00	14.25
YCG30B21S	ME14DN21	24.5	CF/CM30D	1050	29.0	21.8	17.50	14.75
YCG30B21S	ME14DN21	24.5	CF/CM36D	1050	29.6	22.4	18.00	14.75
YCG30B21S	ME14DN21	24.5	CF/CM42D	1025	29.8	22.0	18.00	14.75
YCG30B21S	ME16CN21	21.0	CF/CM30C	1075	28.8	21.6	16.50	13.75
YCG30B21S	ME16CN21	21.0	CF/CM36C	1100	29.6	22.2	16.50	14.25
YCG30B21S	ME16CN21	21.0	CF/CM42C	1100	29.8	22.6	17.00	14.25
YCG30B21S	MVC08BN21	17.5	CF/CM30B	925	28.0	20.2	16.50	13.50
YCG30B21S	MVC08BN21	17.5	CF/CM36B	1025	28.6	21.4	16.50	13.50
YCG30B21S	MVC08BN21	17.5	CF42B	975	28.8	21.2	16.50	13.75
YCG30B21S	MVC12BN21	17.5	CF/CM30B	875	28.0	19.7	16.50	14.00
YCG30B21S	MVC12BN21	17.5	CF/CM36B	850	27.8	19.9	16.75	13.50
YCG30B21S	MVC12BN21	17.5	CF42B	875	28.4	19.9	17.00	14.00
YCG30B21S	MVC14DN21	24.5	CF/CM30D	975	28.4	20.8	16.50	14.00
YCG30B21S	MVC14DN21	24.5	CF/CM36D	1000	29.0	21.8	17.50	14.50
YCG30B21S	MVC14DN21	24.5	CF/CM42D	1050	29.4	22.0	18.00	14.75
YCG30B21S	MVC16CN21	21.0	CF/CM30C	950	28.2	20.4	16.50	13.75
YCG30B21S	MVC16CN21	21.0	CF/CM36C	1000	28.8	21.6	17.00	14.00
YCG30B21S	MVC16CN21	21.0	CF/CM42C	950	29.0	21.2	17.25	14.25
YCG30B21S	MVC20DN21	24.5	CF/CM42D	1100	29.4	22.2	17.00	14.25
YCG36B21S	AE36BX21	17.5	—	1000	34.6	24.0	16.25	13.50
YCG36B21S	AE36CX21	21.0	—	1025	34.6	24.0	16.50	14.00
YCG36B21S	AE42CX21	21.0	—	1000	35.4	24.4	17.00	14.00
YCG36B21S	AE48CX21	21.0	—	1250	36.0	27.0	17.00	14.00
YCG36B21S	AE48DX21	24.5	—	1250	36.0	26.8	17.00	14.25
YCG36B21S	AE60CX21	21.0	—	1350	36.0	27.4	15.75	13.50
YCG36B21S	AP36BX21	17.5	—	975	34.6	23.8	14.75	12.50

COOLING CAPACITY - With Air Handler Coils (Continued)

UNIT MODEL	AIR HANDLER		COIL MODEL ¹	COOLING				
	MODEL	WIDTH		RATED CFM	NET MBH		SEER	EER
					TOTAL	SENS.		
YCG36B21S	AP36CX21	21.0	—	975	34.6	23.6	15.00	12.75
YCG36B21S	AP42CX21	21.0	—	1150	35.4	25.2	14.75	12.50
YCG36B21S	AP48CX21	21.0	—	1175	36.0	26.0	14.75	12.75
YCG36B21S	AP48DX21	24.5	—	1175	36.0	26.0	14.75	12.75
YCG36B21S	AP60CX21	21.0	—	1350	36.0	27.0	14.25	12.25
YCG36B21S	AP60DX22	24.5	—	1350	36.2	27.2	14.50	12.50
YCG36B21S	AP60DX23	24.5	—	1350	36.2	27.2	14.50	12.50
YCG36B21S	AVC36BX21	17.5	—	975	34.6	23.6	16.25	13.75
YCG36B21S	AVC36CX21	21.0	—	975	34.6	23.6	16.50	14.00
YCG36B21S	AVC42CX21	21.0	—	1100	35.4	25.6	17.00	14.00
YCG36B21S	AVC48CX21	21.0	—	1075	36.0	25.4	17.00	14.00
YCG36B21S	AVC48DX21	24.5	—	1150	36.0	26.0	17.00	14.25
YCG36B21S	AVC60CX21	21.0	—	1125	36.0	25.8	17.00	14.25
YCG36B21S	ME12BN21	17.5	CF/CM36B	1025	34.6	24.0	16.20	13.75
YCG36B21S	ME12BN21	17.5	CF42B	975	35.4	24.2	16.25	13.50
YCG36B21S	ME14DN21	24.5	CF/CM36D	1250	34.6	26.2	16.50	14.00
YCG36B21S	ME14DN21	24.5	CF/CM42D	1225	35.4	26.0	17.00	14.25
YCG36B21S	ME14DN21	24.5	CF/CM48D	1200	36.0	26.6	17.00	14.25
YCG36B21S	ME14DN21	24.5	CF/CM60D	1050	36.0	25.4	17.00	14.50
YCG36B21S	ME16CN21	21.0	CF/CM36C	1250	34.6	26.0	16.50	14.00
YCG36B21S	ME16CN21	21.0	CF/CM42C	1225	35.4	26.0	17.00	14.25
YCG36B21S	ME16CN21	21.0	CF/CM48C	1250	36.0	26.8	17.00	14.25
YCG36B21S	ME16CN21	21.0	CF/CM60C	1250	36.0	26.8	17.00	14.25
YCG36B21S	ME20DN21	24.5	CF/CM36D	1325	35.4	27.2	15.50	13.25
YCG36B21S	ME20DN21	24.5	CF/CM42D	1350	36.0	27.2	16.20	13.50
YCG36B21S	ME20DN21	24.5	CF/CM48D	1350	36.0	27.4	16.25	13.75
YCG36B21S	ME20DN21	24.5	CF/CM60D	1350	36.0	27.2	16.50	13.75
YCG36B21S	MVC08BN21	17.5	CF/CM36B	1025	36.0	25.2	15.75	13.25
YCG36B21S	MVC12BN21	17.5	CF/CM36B	1000	36.0	25.0	15.75	13.25
YCG36B21S	MVC12BN21	17.5	CF42B	1025	36.0	25.0	16.00	13.25
YCG36B21S	MVC14DN21	24.5	CF/CM36D	1175	36.0	26.4	16.50	13.75
YCG36B21S	MVC14DN21	24.5	CF/CM42D	1125	36.0	26.0	17.00	14.00
YCG36B21S	MVC14DN21	24.5	CF/CM48D	1125	36.0	26.0	17.00	14.00
YCG36B21S	MVC14DN21	24.5	CF/CM60D	1075	36.0	25.4	17.00	14.00
YCG36B21S	MVC16CN21	21.0	CF/CM36C	1125	36.0	26.2	16.00	13.50
YCG36B21S	MVC16CN21	21.0	CF/CM42C	1025	36.0	25.2	16.50	13.75
YCG36B21S	MVC16CN21	21.0	CF/CM48C	1075	36.0	25.6	17.00	14.00
YCG36B21S	MVC16CN21	21.0	CF/CM60C	1175	36.0	26.4	17.00	14.00
YCG36B21S	MVC20DN21	24.5	CF/CM36D	1150	36.0	26.4	16.50	14.00
YCG36B21S	MVC20DN21	24.5	CF/CM42D	1200	36.0	26.4	16.50	13.75
YCG36B21S	MVC20DN21	24.5	CF/CM48D	1100	36.0	26.0	17.00	14.00
YCG36B21S	MVC20DN21	24.5	CF/CM60D	1175	36.0	26.6	17.00	14.25
YCG42B21S	AE42CX21	21.0	—	1175	41.5	27.8	17.00	13.75
YCG42B21S	AE48CX21	21.0	—	1225	42.0	28.4	17.00	14.25
YCG42B21S	AE48DX21	24.5	—	1225	42.0	28.6	17.00	14.25
YCG42B21S	AE60CX21	21.0	—	1425	42.0	30.6	17.00	14.00
YCG42B21S	AE60DX21	24.5	—	1400	42.0	30.2	17.50	14.25
YCG42B21S	AP42CX21	21.0	—	1225	40.5	27.2	15.00	12.50
YCG42B21S	AP48CX21	21.0	—	1300	41.5	28.6	15.50	12.75
YCG42B21S	AP48DX21	24.5	—	1350	42.0	29.2	15.50	13.00
YCG42B21S	AP60CX21	21.0	—	1400	42.0	30.0	15.25	12.50
YCG42B21S	AP60DX22	24.5	—	1400	42.0	30.0	15.25	12.75

COOLING CAPACITY - With Air Handler Coils (Continued)

UNIT MODEL	AIR HANDLER		COIL MODEL ¹	COOLING				
	MODEL	WIDTH		RATED CFM	NET MBH		SEER	EER
					TOTAL	SENS.		
YCG42B21S	AP60DX23	24.5	—	1400	42.0	30.0	15.25	12.75
YCG42B21S	AVC42CX21	21.0	—	1175	41.5	27.8	17.00	13.75
YCG42B21S	AVC48CX21	21.0	—	1225	42.0	28.4	17.00	14.00
YCG42B21S	AVC48DX21	24.5	—	1225	42.0	28.6	17.00	14.25
YCG42B21S	AVC60CX21	21.0	—	1275	42.0	29.4	17.00	14.00
YCG42B21S	AVC60DX21	24.5	—	1200	42.0	28.4	17.00	14.25
YCG42B21S	ME14DN21	24.5	CF/CM42D	1200	41.0	27.8	17.00	14.00
YCG42B21S	ME14DN21	24.5	CF/CM48D	1175	41.5	27.6	17.00	14.00
YCG42B21S	ME14DN21	24.5	CF/CM60D	1225	42.0	29.0	17.50	14.50
YCG42B21S	ME14DN21	24.5	CF/CM64D	1175	42.0	28.0	17.50	14.25
YCG42B21S	ME16CN21	21.0	CF/CM42C	1200	40.5	27.0	16.50	13.75
YCG42B21S	ME16CN21	21.0	CF/CM48C	1225	42.0	28.6	17.00	14.25
YCG42B21S	ME16CN21	21.0	CF/CM60C	1225	42.0	29.0	17.00	14.25
YCG42B21S	ME20DN21	24.5	CF/CM42D	1450	41.5	30.2	16.50	13.75
YCG42B21S	ME20DN21	24.5	CF/CM48D	1475	42.0	30.6	17.00	14.25
YCG42B21S	ME20DN21	24.5	CF/CM60D	1450	42.0	30.6	17.00	14.25
YCG42B21S	ME20DN21	24.5	CF/CM64D	1425	42.0	30.4	17.00	14.25
YCG42B21S	MVC12BN21	17.5	CF42B	1325	40.5	28.2	15.00	13.00
YCG42B21S	MVC14DN21	24.5	CF/CM42D	1350	41.5	29.2	16.75	14.00
YCG42B21S	MVC14DN21	24.5	CF/CM48D	1300	41.5	28.8	16.75	14.00
YCG42B21S	MVC14DN21	24.5	CF/CM60D	1200	41.5	28.0	17.00	14.00
YCG42B21S	MVC14DN21	24.5	CF/CM64D	1175	42.0	28.0	17.00	14.25
YCG42B21S	MVC16CN21	21.0	CF/CM42C	1350	41.0	28.8	16.00	13.50
YCG42B21S	MVC16CN21	21.0	CF/CM48C	1350	42.0	29.4	17.00	14.00
YCG42B21S	MVC16CN21	21.0	CF/CM60C	1325	42.0	29.4	17.00	14.00
YCG42B21S	MVC20DN21	24.5	CF/CM42D	1300	41.5	28.6	16.50	14.00
YCG42B21S	MVC20DN21	24.5	CF/CM48D	1300	42.0	28.8	17.00	14.00
YCG42B21S	MVC20DN21	24.5	CF/CM60D	1300	42.0	29.4	17.00	14.25
YCG42B21S	MVC20DN21	24.5	CF/CM64D	1325	42.0	29.4	17.00	14.00
YCG48B21S	AE48CX21	21.0	—	1425	45.5	32.4	16.25	13.25
YCG48B21S	AE48DX21	24.5	—	1425	46.0	32.6	16.50	13.75
YCG48B21S	AE60CX21	21.0	—	1425	46.5	33.8	16.50	13.75
YCG48B21S	AE60DX21	24.5	—	1400	47.0	33.6	17.00	14.00
YCG48B21S	AP48CX21	21.0	—	1300	44.5	30.4	15.00	12.50
YCG48B21S	AP48DX21	24.5	—	1400	45.0	31.6	15.25	12.50
YCG48B21S	AP60CX21	21.0	—	1500	46.0	33.4	15.00	12.50
YCG48B21S	AP60DX22	24.5	—	1500	46.0	33.4	15.25	12.75
YCG48B21S	AP60DX23	24.5	—	1500	46.0	33.4	15.25	12.75
YCG48B21S	AVC48CX21	21.0	—	1350	45.5	31.6	16.20	13.25
YCG48B21S	AVC48DX21	24.5	—	1400	46.0	32.4	16.50	13.75
YCG48B21S	AVC60CX21	21.0	—	1350	46.0	32.4	16.50	13.75
YCG48B21S	AVC60DX21	24.5	—	1300	46.5	32.0	16.50	13.75
YCG48B21S	ME14DN21	24.5	CF/CM60D	1425	46.5	33.4	16.50	13.75
YCG48B21S	ME14DN21	24.5	CF/CM64D	1375	47.0	33.2	17.00	13.75
YCG48B21S	ME16CN21	21.0	CF/CM48C	1475	46.0	33.2	16.50	13.50
YCG48B21S	ME16CN21	21.0	CF/CM60C	1450	46.5	33.6	16.50	13.75
YCG48B21S	ME20DN21	24.5	CF/CM48D	1475	46.0	32.6	16.50	13.75
YCG48B21S	ME20DN21	24.5	CF/CM60D	1450	46.5	33.8	16.50	13.75
YCG48B21S	ME20DN21	24.5	CF/CM64D	1425	47.0	33.8	17.00	13.75
YCG48B21S	MVC14DN21	24.5	CF/CM48D	1300	45.5	30.8	16.25	13.50
YCG48B21S	MVC16CN21	21.0	CF/CM48C	1350	45.5	31.4	16.25	13.50
YCG48B21S	MVC16CN21	21.0	CF/CM60C	1325	45.5	31.6	16.50	13.75

COOLING CAPACITY - With Air Handler Coils (Continued)

UNIT MODEL	AIR HANDLER		COIL MODEL ¹	COOLING				
	MODEL	WIDTH		RATED CFM	NET MBH		SEER	EER
					TOTAL	SENS.		
YCG48B21S	MVC20DN21	24.5	CF/CM48D	1350	45.5	31.4	16.25	13.50
YCG48B21S	MVC20DN21	24.5	CF/CM60D	1425	46.5	32.8	16.75	13.75
YCG48B21S	MVC20DN21	24.5	CF/CM64D	1375	46.5	32.6	17.00	14.00
YCG60B21S	AE60CX21	21.0	—	1625	56.0	39.0	14.75	12.50
YCG60B21S	AE60CX22	21.0	—	1600	55.5	40.5	14.75	12.25
YCG60B21S	AE60DX21	24.5	—	1550	57.0	41.0	16.00	13.00
YCG60B21S	AP60CX21	21.0	—	1600	55.5	38.0	14.25	11.75
YCG60B21S	AP60DX21	24.5	—	1675	56.0	39.0	14.25	12.00
YCG60B21S	AP60DX22	24.5	—	1525	55.5	37.2	14.25	12.00
YCG60B21S	AP60DX23	24.5	—	1525	55.5	37.2	14.25	12.00
YCG60B21S	AVC60CX21	21.0	—	1750	56.5	40.0	14.75	12.25
YCG60B21S	AVC60DX21	24.5	—	1600	57.5	42.0	15.50	12.75
YCG60B21S	ME16CN21	21.0	CF/CM60C	1575	55.5	40.0	14.75	12.50
YCG60B21S	ME20DN21	24.5	CF/CM60D	1700	57.0	42.5	15.75	13.00
YCG60B21S	ME20DN21	24.5	CF/CM64D	1675	58.0	43.0	16.00	13.00
YCG60B21S	MVC16CN21	21.0	CF/CM60C	1650	56.0	41.0	15.00	12.75
YCG60B21S	MVC20DN21	24.5	CF/CM60D	1550	56.5	41.0	16.00	13.00
YCG60B21S	MVC20DN21	24.5	CF/CM64D	1550	57.5	41.5	16.00	13.00

Rated in accordance with DOE test procedures (Federal Register 12-27-79 and 3-18-88) and ANSI/AHRI Standard 210/240.

Cooling MBH based on 80°F entering air temperature, 50% RH (Relative Humidity), and rated airflow.

EER (Energy Efficiency Ratio) is the total cooling output in BTUs at 95°F outdoor ambient divided by the total electric power in watt-hours at those conditions.

SEER (Seasonal Energy Efficiency Ratio) is the total cooling output in BTUs during a normal annual usage period for cooling divided by the total electric power input in watt-hours during the same period.

1. CM coils available with a factory installed horizontal drain pan. Refer to the *Price Pages* for specific model number.

— = Not applicable.

COOLING CAPACITY - Upflow, Downflow, and Horizontal Furnaces and Coils (Coil Only Ratings)

UNIT MODEL	COIL		CFM RANGE (MINIMUM- MAXIMUM)	RATED CFM	COOLING			
	MODEL	WIDTH			NET MBH		SEER ¹	EER
					TOTAL	SENS.		
YCG18B21S	CF/CM/CU18A	14.5	450 - 750	600	17.8	13.4	15.50	12.75
YCG18B21S	CF/CM/CU18B	17.5	450 - 750	600	17.8	13.4	15.50	12.75
YCG18B21S	CF/CM/CU24A	14.5	450 - 750	600	18.0	13.5	15.75	12.75
YCG18B21S	CF/CM/CU24B	17.5	450 - 750	600	18.0	13.5	15.75	12.75
YCG18B21S	CF/CM/CU24C	21.0	450 - 750	600	18.0	13.5	15.75	12.75
YCG18B21S	CF/CM/CU30A	14.5	450 - 750	600	18.0	13.4	16.00	13.00
YCG18B21S	CF/CM/CU30B	17.5	450 - 750	600	18.0	13.4	16.00	13.00
YCG18B21S	CF/CM/CU30C	21.0	450 - 750	600	18.0	13.4	16.00	13.00
YCG18B21S	CF/CM/CU30D	24.5	450 - 750	600	18.0	13.4	16.00	13.00
YCG18B21S	CF/CM/CU36B	17.5	450 - 750	600	18.0	13.5	16.00	13.00
YCG18B21S	CF/CM/CU36C	21.0	450 - 750	600	18.0	13.5	16.00	13.00
YCG18B21S	CF/CM/CU36D	24.5	450 - 750	600	18.0	13.5	16.00	13.00
YCG18B21S	CF/CM36A	14.5	450 - 750	600	18.0	13.5	16.00	13.00
YCG18B21S	XAF/XAUA24B	14.5	450 - 750	600	18.0	14.1	15.75	12.75
YCG18B21S	XAFB24B	17.5	450 - 750	600	18.0	14.1	15.75	12.75
YCG18B21S	XAHA24B	14.5	450 - 750	600	18.0	14.1	15.75	12.75
YCG18B21S	XAHB24B	17.5	450 - 750	600	18.0	14.1	15.75	12.75
YCG24B21S	CF/CM/CU24A	14.5	600 - 1000	800	23.6	18.0	15.50	12.75
YCG24B21S	CF/CM/CU24B	17.5	600 - 1000	800	23.6	18.0	15.50	12.75
YCG24B21S	CF/CM/CU24C	21.0	600 - 1000	800	23.6	18.0	15.50	12.75
YCG24B21S	CF/CM/CU30A	14.5	600 - 1000	800	24.0	18.3	15.75	13.00
YCG24B21S	CF/CM/CU30B	17.5	600 - 1000	800	24.0	18.3	15.75	13.00
YCG24B21S	CF/CM/CU30C	21.0	600 - 1000	800	24.0	18.3	15.75	13.00
YCG24B21S	CF/CM/CU30D	24.5	600 - 1000	800	24.0	18.3	15.75	13.00
YCG24B21S	CF/CM/CU36B	17.5	600 - 1000	800	24.0	18.1	16.00	13.00
YCG24B21S	CF/CM/CU36C	21.0	600 - 1000	800	24.0	18.1	16.00	13.00
YCG24B21S	CF/CM/CU36D	24.5	600 - 1000	800	24.0	18.1	16.00	13.00
YCG24B21S	CF/CM/CU42C	21.0	600 - 1000	800	24.0	18.0	16.00	13.00
YCG24B21S	CF/CM/CU42D	24.5	600 - 1000	800	24.0	18.0	16.00	13.00
YCG24B21S	CF/CM36A	14.5	600 - 1000	800	24.0	18.1	16.00	13.00
YCG24B21S	CF42B	17.5	600 - 1000	800	24.0	18.0	16.00	13.00
YCG24B21S	XAF/XAUA24B	14.5	600 - 1000	800	23.6	18.2	15.50	12.75
YCG24B21S	XAF/XAUB30C	17.5	600 - 1000	800	24.0	18.9	15.75	13.00
YCG24B21S	XAFB24B	17.5	600 - 1000	800	23.6	18.2	15.50	12.75
YCG24B21S	XAFC30C	21.0	600 - 1000	800	24.0	18.9	15.75	13.00
YCG24B21S	XAHA24B	14.5	600 - 1000	800	23.6	18.2	15.50	12.75
YCG24B21S	XAHB24B	17.5	600 - 1000	800	23.6	18.2	15.50	12.75
YCG24B21S	XAHB30C	17.5	600 - 1000	800	24.0	18.9	15.75	13.00
YCG24B21S	XAHC30C	21.0	600 - 1000	800	24.0	18.9	15.75	13.00
YCG30B21S	CF/CM/CU30B	17.5	800 - 1200	1000	28.0	20.4	14.75	12.50
YCG30B21S	CF/CM/CU30C	21.0	800 - 1200	1000	28.0	20.4	14.75	12.50
YCG30B21S	CF/CM/CU30D	24.5	800 - 1200	1000	28.0	20.4	14.75	12.50
YCG30B21S	CF/CM/CU36B	17.5	800 - 1200	1000	28.4	21.0	15.50	12.75
YCG30B21S	CF/CM/CU36C	21.0	800 - 1200	1000	28.4	21.0	15.50	12.75
YCG30B21S	CF/CM/CU36D	24.5	800 - 1200	1000	28.4	21.0	15.50	12.75
YCG30B21S	CF/CM/CU42C	21.0	800 - 1200	1000	28.8	21.0	15.50	13.00
YCG30B21S	CF/CM/CU42D	24.5	800 - 1200	1000	29.0	21.4	15.50	13.00
YCG30B21S	CF/CM36A	14.5	800 - 1200	900	28.0	21.9	15.50	12.75
YCG30B21S	CF42B	17.5	800 - 1200	1000	28.8	21.0	15.50	13.00
YCG30B21S	XAF/XAUB30C	17.5	800 - 1200	1000	28.0	21.8	14.75	12.50
YCG30B21S	XAF/XAUB36D	17.5	800 - 1200	1000	28.4	21.6	15.50	12.75
YCG30B21S	XAF/XAUC42E	21.0	800 - 1200	1000	28.8	21.6	15.50	13.00
YCG30B21S	XAFA30D	14.5	800 - 1200	850	28.0	20.2	15.25	12.50

COOLING CAPACITY - Upflow, Downflow, and Horizontal Furnaces and Coils (Coil Only Ratings) (Continued)

UNIT MODEL	COIL		CFM RANGE (MINIMUM- MAXIMUM)	COOLING				
	MODEL	WIDTH		RATED CFM	NET MBH		SEER ¹	EER
					TOTAL	SENS.		
YCG30B21S	XAFB36E	17.5	800 - 1200	1000	28.8	21.6	15.50	13.00
YCG30B21S	XAFC30C	21.0	800 - 1200	1000	28.0	21.8	14.75	12.50
YCG30B21S	XAFC36D	21.0	800 - 1200	1000	28.4	21.6	15.50	12.75
YCG30B21S	XAFD42E	24.5	800 - 1200	1000	28.8	21.6	15.50	13.00
YCG30B21S	XAHB30C	17.5	800 - 1200	1000	28.0	21.8	14.75	12.50
YCG30B21S	XAHC30C	21.0	800 - 1200	1000	28.0	21.8	14.75	12.50
YCG30B21S	XAHC36D	21.0	800 - 1200	1000	28.4	21.6	15.50	12.75
YCG30B21S	XAHC42E	21.0	800 - 1200	1000	28.8	21.6	15.50	13.00
YCG30B21S	XAHD42E	24.5	800 - 1200	1000	28.8	21.6	15.50	13.00
YCG36B21S	CF/CM/CU36B	17.5	1000 - 1400	1200	34.6	25.2	14.50	12.50
YCG36B21S	CF/CM/CU36C	21.0	1000 - 1400	1200	34.6	25.2	14.50	12.50
YCG36B21S	CF/CM/CU36D	24.5	1000 - 1400	1200	34.6	25.2	14.50	12.50
YCG36B21S	CF/CM/CU42C	21.0	1000 - 1400	1200	35.4	25.4	15.00	12.50
YCG36B21S	CF/CM/CU42D	24.5	1000 - 1400	1200	35.4	26.0	15.00	12.50
YCG36B21S	CF/CM/CU48C	21.0	1000 - 1400	1200	36.0	26.4	15.50	12.75
YCG36B21S	CF/CM/CU48D	24.5	1000 - 1400	1200	36.0	26.4	15.50	12.75
YCG36B21S	CF/CM/CU60C	21.0	1000 - 1400	1200	36.0	26.0	15.50	12.75
YCG36B21S	CF/CM/CU60D	24.5	1000 - 1400	1200	36.0	26.0	15.50	12.75
YCG36B21S	CF42B	17.5	1000 - 1400	1200	35.4	25.4	15.00	12.50
YCG36B21S	XAF/XAUB36D	17.5	1000 - 1400	1150	34.6	26.8	14.50	12.50
YCG36B21S	XAF/XAUC42E	21.0	1000 - 1400	1200	35.4	27.6	15.00	12.50
YCG36B21S	XAF/XAUC48F	21.0	1000 - 1400	1200	36.0	27.0	15.25	12.75
YCG36B21S	XAFB36E	17.5	1000 - 1400	1100	35.4	26.2	15.00	12.50
YCG36B21S	XAFC36D	21.0	1000 - 1400	1200	34.6	27.2	14.50	12.50
YCG36B21S	XAFD42E	24.5	1000 - 1400	1200	35.4	27.6	15.00	12.50
YCG36B21S	XAFD48F	24.5	1000 - 1400	1200	36.0	27.0	15.25	12.75
YCG36B21S	XAHC36D	21.0	1000 - 1400	1150	34.6	26.8	14.50	12.50
YCG36B21S	XAHC42E	21.0	1000 - 1400	1150	35.4	27.0	15.00	12.50
YCG36B21S	XAHC48F	21.0	1000 - 1400	1200	36.0	27.0	15.25	12.75
YCG36B21S	XAHD42E	24.5	1000 - 1400	1200	35.4	27.6	15.00	12.50
YCG36B21S	XAHD48F	24.5	1000 - 1400	1200	36.0	27.0	15.25	12.75
YCG42B21S	CF/CM/CU42C	21.0	1200 - 1600	1400	41.0	29.0	15.00	12.50
YCG42B21S	CF/CM/CU42D	24.5	1200 - 1600	1400	41.0	29.0	15.00	12.50
YCG42B21S	CF/CM/CU48C	21.0	1200 - 1600	1400	41.5	29.6	15.50	12.75
YCG42B21S	CF/CM/CU48D	24.5	1200 - 1600	1400	41.5	29.6	15.50	12.75
YCG42B21S	CF/CM/CU60C	21.0	1200 - 1600	1400	42.0	30.2	15.50	12.75
YCG42B21S	CF/CM/CU60D	24.5	1200 - 1600	1400	42.0	30.2	15.50	12.75
YCG42B21S	CF/CM64D	24.5	1200 - 1600	1400	42.0	30.0	15.75	13.00
YCG42B21S	XAF/XAUC42E	21.0	1200 - 1600	1350	41.0	29.2	15.00	12.50
YCG42B21S	XAF/XAUC48F	21.0	1200 - 1600	1400	41.5	29.2	15.50	12.75
YCG42B21S	XAF/XAUC60G	21.0	1200 - 1600	1400	42.0	30.0	15.50	12.75
YCG42B21S	XAF/XAUD60G	24.5	1200 - 1600	1400	42.0	30.0	15.50	12.75
YCG42B21S	XAFD42E	24.5	1200 - 1600	1400	41.0	30.0	15.00	12.50
YCG42B21S	XAFD48F	24.5	1200 - 1600	1400	41.5	29.2	15.50	12.75
YCG42B21S	XAHC48F	21.0	1200 - 1600	1400	41.5	29.2	15.50	12.75
YCG42B21S	XAHC60G	21.0	1200 - 1600	1400	42.0	30.0	15.50	12.75
YCG42B21S	XAHD42E	24.5	1200 - 1600	1275	41.0	28.8	15.00	12.50
YCG42B21S	XAHD48F	24.5	1200 - 1600	1400	41.5	29.2	15.50	12.75
YCG42B21S	XAHD60G	21.0	1200 - 1600	1400	42.0	30.0	15.50	12.75
YCG48B21S	CF/CM/CU48C	21.0	1400 - 1800	1500	45.0	32.0	14.75	12.25
YCG48B21S	CF/CM/CU48D	24.5	1400 - 1800	1500	45.0	32.0	14.75	12.25
YCG48B21S	CF/CM/CU60C	21.0	1400 - 1800	1500	45.5	33.0	15.50	12.75
YCG48B21S	CF/CM/CU60D	24.5	1400 - 1800	1500	46.0	33.4	15.50	12.75

COOLING CAPACITY - Upflow, Downflow, and Horizontal Furnaces and Coils (Coil Only Ratings) (Continued)

UNIT MODEL	COIL		CFM RANGE (MINIMUM- MAXIMUM)	COOLING				
	MODEL	WIDTH		RATED CFM	NET MBH		SEER ¹	EER
					TOTAL	SENS.		
YCG48B21S	CF/CM64D	24.5	1400 - 1800	1500	47.0	34.0	15.50	13.00
YCG48B21S	XAF/XAUC48F	21.0	1400 - 1800	1500	45.0	32.4	14.75	12.25
YCG48B21S	XAF/XAUC60G	21.0	1400 - 1800	1500	45.5	33.2	15.25	12.75
YCG48B21S	XAF/XAUD60G	24.5	1400 - 1800	1500	45.5	33.2	15.25	12.75
YCG48B21S	XAFD48F	24.5	1400 - 1800	1500	45.0	32.4	14.75	12.25
YCG48B21S	XAHC48F	21.0	1400 - 1800	1500	45.0	32.4	14.75	12.25
YCG48B21S	XAHC60G	21.0	1400 - 1800	1500	45.5	33.2	15.25	12.75
YCG48B21S	XAHD48F	24.5	1400 - 1800	1500	45.0	32.4	14.75	12.25
YCG48B21S	XAHD60G	21.0	1400 - 1800	1500	45.5	33.2	15.25	12.75
YCG60B21S	CF/CM/CU60C	21.0	1520 - 1920	1725	56.5	40.5	14.50	12.00
YCG60B21S	CF/CM/CU60D	24.5	1520 - 1920	1725	56.5	40.5	14.50	12.00
YCG60B21S	CF/CM64D	24.5	1520 - 1920	1725	57.5	40.5	15.10	12.75
YCG60B21S	XAF/XAUC60G	21.0	1520 - 1920	1725	56.0	39.5	14.50	12.00
YCG60B21S	XAF/XAUD60G	24.5	1520 - 1920	1725	56.0	39.5	14.50	12.00
YCG60B21S	XAF/XAUD60H	24.5	1520 - 1920	1725	56.5	40.0	14.50	12.25
YCG60B21S	XAFC60H	21.0	1520 - 1920	1725	56.5	40.0	14.50	12.25
YCG60B21S	XAHC60G	21.0	1520 - 1920	1725	56.0	39.5	14.50	12.00
YCG60B21S	XAHC60H	21.0	1520 - 1920	1725	56.5	40.0	14.50	12.25
YCG60B21S	XAHD60G	21.0	1520 - 1920	1600	55.5	38.0	14.25	12.00
YCG60B21S	XAHD60H	24.5	1520 - 1920	1700	56.5	40.0	14.50	12.25

For rated condition information, see the *COOLING CAPACITY - With Air Handler Coils* table footnotes.

- Requires a Blower Time Delay unless a standard furnace is equipped with one.
- = Not applicable.
PSC furnaces use coil only ratings.

COOLING CAPACITY - With High Efficiency Motor Furnaces¹

UNIT MODEL	FURNACE		COIL MODEL ²	COOLING				
	MODEL	WIDTH		RATED CFM	NET MBH		SEER	EER
					TOTAL	SENS.		
YCG18B21S	TL8E060A12UH11	14.5	CF/CM/CU18A	600	18.0	14.2	17.75	14.00
YCG18B21S	TL8E060A12UH11	14.5	CF/CM/CU18B	700	18.0	15.2	18.00	14.75
YCG18B21S	TL8E060A12UH11	14.5	CF/CM/CU24A	600	18.0	14.2	18.00	14.50
YCG18B21S	TL8E060A12UH11	14.5	CF/CM/CU24B	650	18.0	14.5	18.25	14.75
YCG18B21S	TL8E060A12UH11	14.5	CF/CM/CU30A	650	18.0	14.6	18.25	14.75
YCG18B21S	TL8E060A12UH11	14.5	CF/CM/CU30B	700	18.0	14.9	18.50	15.00
YCG18B21S	TL8E060A12UH11	14.5	CF/CM/CU36B	700	18.0	14.9	18.50	15.00
YCG18B21S	TL8E060A12UH11	14.5	CF/CM/CU36C	675	18.0	14.7	18.50	15.00
YCG18B21S	TL8E060A12UH11	14.5	CF/CM24C	675	18.0	14.8	18.25	15.00
YCG18B21S	TL8E060A12UH11	14.5	CF/CM30C	675	18.0	14.6	18.50	15.00
YCG18B21S	TL8E060A12UH11	14.5	CF/CM36A	625	18.0	14.4	18.50	15.00
YCG18B21S	TL8E060A12UH11	14.5	XAF/XAUA24B	600	18.0	14.0	17.75	14.50
YCG18B21S	TL8E060A12UH11	17.5	XAFB24B	625	17.9	14.3	18.00	14.75
YCG18B21S	TL8E060A12UH11	14.5	XAHA24B	600	18.0	14.0	17.75	14.50
YCG18B21S	TL8E060A12UH11	17.5	XAHB24B	625	17.9	14.3	18.00	14.75
YCG18B21S	TL9E060B12UH11	17.5	CF/CM/CU18B	650	18.0	14.6	17.75	14.50
YCG18B21S	TL9E060B12UH11	17.5	CF/CM/CU24B	650	18.0	14.5	18.00	14.75
YCG18B21S	TL9E060B12UH11	17.5	CF/CM/CU30B	625	18.0	14.2	18.25	14.75
YCG18B21S	TL9E060B12UH11	17.5	CF/CM/CU36B	650	18.0	14.6	18.25	15.00
YCG18B21S	TL9E060B12UH11	17.5	CF/CM/CU36C	700	18.0	15.0	18.50	15.00
YCG18B21S	TL9E060B12UH11	17.5	CF/CM24C	650	18.0	14.5	18.00	14.75
YCG18B21S	TL9E060B12UH11	17.5	CF/CM30C	650	18.0	14.6	18.50	15.00
YCG18B21S	TL9E060B12UH11	17.5	XAFB24B	625	18.0	14.3	17.75	14.50
YCG18B21S	TL9E060B12UH11	17.5	XAHB24B	625	18.0	14.3	17.75	14.50
YCG18B21S	TM8E040A12MP11	14.5	CF/CM/CU18A	650	18.0	14.6	17.75	14.25
YCG18B21S	TM8E040A12MP11	14.5	CF/CM/CU18B	675	18.0	14.8	18.00	14.50
YCG18B21S	TM8E040A12MP11	14.5	CF/CM/CU24A	650	18.0	14.5	18.00	14.75
YCG18B21S	TM8E040A12MP11	14.5	CF/CM/CU24B	700	18.0	15.0	18.25	14.50
YCG18B21S	TM8E040A12MP11	14.5	CF/CM/CU30A	725	18.0	15.4	18.25	14.50
YCG18B21S	TM8E040A12MP11	14.5	CF/CM/CU30B	675	18.0	14.7	18.50	15.00
YCG18B21S	TM8E040A12MP11	14.5	CF/CM/CU36B	700	18.0	14.9	18.50	15.00
YCG18B21S	TM8E040A12MP11	14.5	CF/CM36A	650	18.0	14.6	18.50	15.00
YCG18B21S	TM8E040A12MP11	14.5	XAF/XAUA24B	625	18.0	14.3	17.75	14.50
YCG18B21S	TM8E040A12MP11	17.5	XAFB24B	675	17.9	14.8	18.00	14.50
YCG18B21S	TM8E040A12MP11	14.5	XAHA24B	625	18.0	14.3	17.75	14.50
YCG18B21S	TM8E040A12MP11	17.5	XAHB24B	650	17.9	14.6	18.00	14.50
YCG18B21S	TM8E060A12MP11	14.5	CF/CM/CU18A	725	18.0	15.3	17.75	14.00
YCG18B21S	TM8E060A12MP11	14.5	CF/CM/CU24A	725	18.0	15.8	17.75	14.25
YCG18B21S	TM8E060A12MP11	14.5	CF/CM/CU30A	725	18.0	15.4	18.25	14.50
YCG18B21S	TM8E060A12MP11	14.5	CF/CM36A	725	18.0	15.2	18.25	14.75
YCG18B21S	TM8E060A12MP11	14.5	XAF/XAUA24B	725	18.0	15.4	17.50	14.00
YCG18B21S	TM8E060A12MP11	14.5	XAHA24B	725	18.0	15.4	17.50	14.00
YCG18B21S	TM8E080B12MP11	17.5	CF/CM/CU18B	725	18.0	15.3	18.00	14.50
YCG18B21S	TM8E080B12MP11	17.5	CF/CM/CU24B	725	18.0	15.8	18.00	14.50
YCG18B21S	TM8E080B12MP11	17.5	CF/CM/CU30B	725	18.0	15.4	18.50	14.75
YCG18B21S	TM8E080B12MP11	17.5	CF/CM/CU36B	725	18.0	15.2	18.50	15.00
YCG18B21S	TM8E080B12MP11	17.5	XAFB24B	725	18.0	15.4	17.75	14.50
YCG18B21S	TM8E080B12MP11	17.5	XAHB24B	700	18.0	15.1	17.75	14.50
YCG18B21S	TM8E100B12MP11	17.5	CF/CM/CU18B	700	18.0	15.2	18.00	14.50
YCG18B21S	TM8E100B12MP11	17.5	CF/CM/CU24B	725	18.0	15.8	18.25	14.50
YCG18B21S	TM8E100B12MP11	17.5	CF/CM/CU30B	725	18.0	15.4	18.50	15.00
YCG18B21S	TM8E100B12MP11	17.5	CF/CM/CU36B	725	18.0	15.2	18.50	15.00
YCG18B21S	TM8E100B12MP11	17.5	CF/CM/CU36C	725	18.0	15.2	18.50	15.00
YCG18B21S	TM8E100B12MP11	17.5	CF/CM24C	725	18.0	15.8	18.25	14.50
YCG18B21S	TM8E100B12MP11	17.5	CF/CM30C	725	18.0	15.3	18.50	15.00
YCG18B21S	TM8E100B12MP11	17.5	XAFB24B	700	18.0	15.1	18.00	14.50
YCG18B21S	TM8E100B12MP11	17.5	XAHB24B	700	18.0	15.1	18.00	14.50
YCG18B21S	TM8V060A12MP12C	14.5	CF/CM/CU18A	625	18.0	14.4	17.75	14.25
YCG18B21S	TM8V060A12MP12C	14.5	CF/CM/CU24A	625	18.0	14.4	17.75	14.50
YCG18B21S	TM8V060A12MP12C	14.5	CF/CM/CU30A	625	18.0	14.2	17.75	14.75
YCG18B21S	TM8V060A12MP12C	14.5	CF/CM36A	625	18.0	14.4	18.50	15.00
YCG18B21S	TM8V060A12MP12C	14.5	XAF/XAUA24B	625	18.0	14.3	17.75	14.50
YCG18B21S	TM8V060A12MP12C	17.5	XAFB24B	625	17.9	14.3	17.75	14.50
YCG18B21S	TM8V060A12MP12C	14.5	XAHA24B	625	18.0	14.3	17.75	14.50

COOLING CAPACITY - With High Efficiency Motor Furnaces¹ (Continued)

UNIT MODEL	FURNACE		COIL MODEL ²	COOLING				
	MODEL	WIDTH		RATED CFM	NET MBH		SEER	EER
					TOTAL	SENS.		
YCG18B21S	TM8V060A12MP12C	17.5	XAHB24B	625	17.9	14.3	17.75	14.50
YCG18B21S	TM8V080B12MP12C	17.5	CF/CM/CU18B	625	18.0	14.4	17.50	14.25
YCG18B21S	TM8V080B12MP12C	17.5	CF/CM/CU24B	625	18.0	14.4	18.00	14.50
YCG18B21S	TM8V080B12MP12C	17.5	CF/CM/CU30B	625	18.0	14.2	18.00	14.75
YCG18B21S	TM8V080B12MP12C	17.5	CF/CM/CU36B	625	18.0	14.4	18.50	14.75
YCG18B21S	TM8V080B12MP12C	17.5	XAFB24B	625	18.0	14.3	17.50	14.00
YCG18B21S	TM8V080B12MP12C	17.5	XAHB24B	625	18.0	14.3	17.50	14.00
YCG18B21S	TM8X060A12MP11	14.5	CF/CM/CU18A	625	18.0	14.4	18.00	14.50
YCG18B21S	TM8X060A12MP11	14.5	CF/CM/CU24A	625	18.0	14.4	18.00	14.50
YCG18B21S	TM8X060A12MP11	14.5	CF/CM/CU30A	625	18.0	14.2	18.50	15.00
YCG18B21S	TM8X060A12MP11	14.5	CF/CM36A	625	18.0	14.4	18.50	15.00
YCG18B21S	TM8X080B12MP11	17.5	CF/CM/CU18B	675	18.0	14.8	18.00	14.50
YCG18B21S	TM8X080B12MP11	17.5	CF/CM/CU24B	675	18.0	14.8	18.00	14.50
YCG18B21S	TM8X080B12MP11	17.5	CF/CM/CU30B	675	18.0	14.7	18.50	15.00
YCG18B21S	TM8X080B12MP11	17.5	CF/CM/CU36B	675	18.0	14.7	18.50	15.00
YCG18B21S	TM8X080C16MP11	21.0	CF/CM/CU30C	700	18.0	14.9	18.25	15.00
YCG18B21S	TM8X080C16MP11	21.0	CF/CM/CU36C	700	18.0	14.9	18.25	14.75
YCG18B21S	TM8X100C16MP11	21.0	CF/CM/CU30C	700	18.0	14.9	18.25	15.00
YCG18B21S	TM8X100C16MP11	21.0	CF/CM/CU36C	700	18.0	14.9	18.25	14.75
YCG18B21S	TM8Y060A12MP11	14.5	CF/CM/CU18A	625	18.0	14.4	18.00	14.50
YCG18B21S	TM8Y060A12MP11	14.5	CF/CM/CU24A	625	18.0	14.4	18.00	14.50
YCG18B21S	TM8Y060A12MP11	14.5	CF/CM/CU30A	625	18.0	14.2	18.50	15.00
YCG18B21S	TM8Y060A12MP11	14.5	CF/CM36A	625	18.0	14.4	18.50	15.00
YCG18B21S	TM8Y060A12MP11	14.5	XAF/XAUA24B	625	18.0	14.3	17.50	14.00
YCG18B21S	TM8Y060A12MP11	17.5	XAFB24B	650	17.9	14.6	17.75	14.50
YCG18B21S	TM8Y060A12MP11	14.5	XAHA24B	625	18.0	14.3	17.50	14.00
YCG18B21S	TM8Y060A12MP11	17.5	XAHB24B	625	17.9	14.3	17.75	14.50
YCG18B21S	TM8Y080B12MP11	17.5	CF/CM/CU18B	675	18.0	14.8	18.00	14.50
YCG18B21S	TM8Y080B12MP11	17.5	CF/CM/CU24B	675	18.0	14.8	18.00	14.50
YCG18B21S	TM8Y080B12MP11	17.5	CF/CM/CU30B	675	18.0	14.7	18.50	15.00
YCG18B21S	TM8Y080B12MP11	17.5	CF/CM/CU36B	675	18.0	14.7	18.50	15.00
YCG18B21S	TM8Y080B12MP11	17.5	XAFB24B	650	18.0	14.6	17.75	14.50
YCG18B21S	TM8Y080B12MP11	17.5	XAHB24B	650	18.0	14.6	17.75	14.50
YCG18B21S	TM8Y080C16MP11	21.0	CF/CM/CU30C	700	18.0	14.9	18.25	15.00
YCG18B21S	TM8Y080C16MP11	21.0	CF/CM/CU36C	700	18.0	14.9	18.25	14.75
YCG18B21S	TM8Y100C16MP11	21.0	CF/CM/CU30C	700	18.0	14.9	18.25	15.00
YCG18B21S	TM8Y100C16MP11	21.0	CF/CM/CU36C	700	18.0	14.9	18.25	14.75
YCG18B21S	TM9E026A08MP12	14.5	CF/CM/CU18A	500	17.7	13.0	17.50	14.00
YCG18B21S	TM9E026A08MP12	14.5	CF/CM/CU18B	500	17.7	13.0	17.25	14.00
YCG18B21S	TM9E026A08MP12	14.5	CF/CM/CU24A	500	17.9	13.1	17.50	14.00
YCG18B21S	TM9E026A08MP12	14.5	CF/CM/CU24B	600	18.0	14.5	17.50	14.00
YCG18B21S	TM9E026A08MP12	14.5	CF/CM/CU30A	575	18.0	14.1	17.50	14.00
YCG18B21S	TM9E026A08MP12	14.5	CF/CM/CU30B	575	18.0	14.2	17.75	14.00
YCG18B21S	TM9E026A08MP12	14.5	CF/CM/CU36B	575	18.0	14.3	18.00	14.50
YCG18B21S	TM9E026A08MP12	14.5	CF/CM36A	550	18.0	13.8	17.75	14.00
YCG18B21S	TM9E026A08MP12	14.5	XAF/XAUA24B	575	17.9	13.7	17.25	14.00
YCG18B21S	TM9E026A08MP12	17.5	XAFB24B	500	17.9	12.9	17.25	14.00
YCG18B21S	TM9E026A08MP12	14.5	XAHA24B	550	17.9	13.5	17.25	14.00
YCG18B21S	TM9E026A08MP12	17.5	XAHB24B	575	17.9	13.7	17.25	14.00
YCG18B21S	TM9E040A10MP11	14.5	CF/CM/CU18A	500	17.1	12.7	17.00	13.75
YCG18B21S	TM9E040A10MP11	14.5	CF/CM/CU24A	500	17.3	12.7	17.00	14.00
YCG18B21S	TM9E040A10MP11	14.5	CF/CM/CU30A	500	17.4	12.8	17.25	14.00
YCG18B21S	TM9E040A10MP11	14.5	CF/CM36A	500	17.6	12.8	17.25	14.25
YCG18B21S	TM9E040A10MP12	14.5	CF/CM/CU18A	600	18.0	14.2	17.25	14.00
YCG18B21S	TM9E040A10MP12	14.5	CF/CM/CU18B	625	18.0	14.5	17.25	14.00
YCG18B21S	TM9E040A10MP12	14.5	CF/CM/CU24A	600	18.0	14.2	17.50	14.00
YCG18B21S	TM9E040A10MP12	14.5	CF/CM/CU24B	625	18.0	14.5	17.50	14.00
YCG18B21S	TM9E040A10MP12	14.5	CF/CM/CU30A	600	18.0	14.0	17.50	14.00
YCG18B21S	TM9E040A10MP12	14.5	CF/CM/CU30B	625	18.0	14.2	17.75	14.25
YCG18B21S	TM9E040A10MP12	14.5	CF/CM/CU36B	625	18.0	14.4	17.75	14.25
YCG18B21S	TM9E040A10MP12	14.5	CF/CM36A	600	18.0	14.1	17.75	14.00
YCG18B21S	TM9E040A10MP12	14.5	XAF/XAUA24B	600	18.0	14.0	17.25	14.00
YCG18B21S	TM9E040A10MP12	17.5	XAFB24B	625	17.9	14.3	17.25	14.00
YCG18B21S	TM9E040A10MP12	14.5	XAHA24B	600	18.0	14.0	17.25	14.00

COOLING CAPACITY - With High Efficiency Motor Furnaces¹ (Continued)

UNIT MODEL	FURNACE		COIL MODEL ²	COOLING				
	MODEL	WIDTH		RATED CFM	NET MBH		SEER	EER
					TOTAL	SENS.		
YCG18B21S	TM9E040A10MP12	17.5	XAHB24B	625	17.9	14.3	17.25	14.00
YCG18B21S	TM9E060A10MP12	14.5	CF/CM/CU18A	675	18.0	14.9	17.25	14.00
YCG18B21S	TM9E060A10MP12	14.5	CF/CM/CU18B	700	18.0	15.2	17.50	14.00
YCG18B21S	TM9E060A10MP12	14.5	CF/CM/CU24A	675	18.0	14.8	17.50	14.00
YCG18B21S	TM9E060A10MP12	14.5	CF/CM/CU24B	700	18.0	15.0	17.50	14.00
YCG18B21S	TM9E060A10MP12	14.5	CF/CM/CU30A	675	18.0	14.7	17.75	14.25
YCG18B21S	TM9E060A10MP12	14.5	CF/CM/CU30B	700	18.0	14.9	18.00	14.50
YCG18B21S	TM9E060A10MP12	14.5	CF/CM/CU36B	700	18.0	15.0	18.00	14.75
YCG18B21S	TM9E060A10MP12	14.5	CF/CM36A	675	18.0	14.7	18.00	14.50
YCG18B21S	TM9E060A10MP12	14.5	XAF/XAUA24B	675	18.0	14.8	17.25	14.00
YCG18B21S	TM9E060A10MP12	17.5	XAFB24B	700	17.9	15.1	17.50	14.00
YCG18B21S	TM9E060A10MP12	14.5	XAHA24B	650	18.0	14.6	17.25	14.00
YCG18B21S	TM9E060A10MP12	17.5	XAHB24B	675	17.9	14.8	17.25	14.00
YCG18B21S	TM9E060B12MP11	17.5	CF/CM/CU18B	675	18.0	14.9	17.50	14.50
YCG18B21S	TM9E060B12MP11	17.5	CF/CM/CU24B	675	18.0	14.8	17.50	14.75
YCG18B21S	TM9E060B12MP11	17.5	CF/CM/CU30B	675	18.0	14.7	18.00	15.00
YCG18B21S	TM9E060B12MP11	17.5	CF/CM/CU36B	675	18.0	14.7	18.50	15.00
YCG18B21S	TM9E060B12MP11	17.5	CF/CM/CU36C	700	18.0	15.0	18.50	15.25
YCG18B21S	TM9E060B12MP11	17.5	CF/CM24C	675	18.0	14.8	18.00	14.75
YCG18B21S	TM9E060B12MP11	17.5	CF/CM30C	675	18.0	14.7	18.25	15.00
YCG18B21S	TM9E060B12MP12	17.5	XAFB24B	725	18.0	15.3	17.25	14.00
YCG18B21S	TM9E060B12MP12	17.5	XAHB24B	725	18.0	15.3	17.25	14.00
YCG18B21S	TM9E080B12MP11	17.5	CF/CM/CU30B	700	18.0	14.9	18.00	14.75
YCG18B21S	TM9E080B12MP11	17.5	CF/CM/CU36B	700	18.0	14.9	18.50	14.75
YCG18B21S	TM9E080C16MP11	21.0	CF/CM/CU36C	600	18.0	14.2	18.50	15.25
YCG18B21S	TM9E080C16MP11	21.0	CF/CM24C	600	18.0	14.2	18.00	15.00
YCG18B21S	TM9E080C16MP11	21.0	CF/CM30C	600	18.0	14.1	18.50	15.25
YCG18B21S	TM9E080C16MP11	21.0	CF/CM36D	600	18.0	14.2	18.50	15.25
YCG18B21S	TM9E100C16MP11	21.0	CF/CM/CU24C	625	18.0	14.4	18.00	14.75
YCG18B21S	TM9E100C16MP11	21.0	CF/CM/CU30C	625	18.0	14.2	18.50	15.00
YCG18B21S	TM9E100C16MP11	21.0	CF/CM/CU30D	650	18.0	14.5	18.50	15.00
YCG18B21S	TM9E100C16MP11	21.0	CF/CM/CU36C	650	18.0	14.6	18.50	15.00
YCG18B21S	TM9E100C16MP11	21.0	CF/CM/CU36D	650	18.0	14.6	18.50	15.00
YCG18B21S	TM9V040A10MP12C	14.5	CF/CM/CU18A	525	17.8	13.3	17.25	14.00
YCG18B21S	TM9V040A10MP12C	14.5	CF/CM/CU18B	525	17.9	13.4	17.50	14.25
YCG18B21S	TM9V040A10MP12C	14.5	CF/CM/CU24A	525	18.0	13.4	17.50	14.25
YCG18B21S	TM9V040A10MP12C	14.5	CF/CM/CU24B	525	18.0	13.4	17.50	14.25
YCG18B21S	TM9V040A10MP12C	14.5	CF/CM/CU30A	525	18.0	13.4	17.50	14.25
YCG18B21S	TM9V040A10MP12C	14.5	CF/CM/CU30B	625	18.0	14.1	17.75	14.50
YCG18B21S	TM9V040A10MP12C	14.5	CF/CM/CU36B	525	18.0	13.3	18.00	14.50
YCG18B21S	TM9V040A10MP12C	14.5	CF/CM36A	525	18.0	13.3	17.75	14.50
YCG18B21S	TM9V040A10MP12C	14.5	XAF/XAUA24B	525	18.0	13.2	17.25	14.00
YCG18B21S	TM9V040A10MP12C	17.5	XAFB24B	525	17.9	13.2	17.25	14.00
YCG18B21S	TM9V040A10MP12C	14.5	XAHA24B	525	18.0	13.2	17.25	14.00
YCG18B21S	TM9V040A10MP12C	17.5	XAHB24B	525	17.9	13.2	17.25	14.00
YCG18B21S	TM9V060B12MP12C	17.5	CF/CM/CU18B	600	18.0	14.2	17.75	14.50
YCG18B21S	TM9V060B12MP12C	17.5	CF/CM/CU24B	600	18.0	14.2	18.00	14.75
YCG18B21S	TM9V060B12MP12C	17.5	CF/CM/CU30B	600	18.0	14.1	18.25	14.75
YCG18B21S	TM9V060B12MP12C	17.5	CF/CM/CU36B	600	18.0	14.2	18.25	15.00
YCG18B21S	TM9V060B12MP12C	17.5	CF/CM/CU36C	600	18.0	14.2	18.50	15.00
YCG18B21S	TM9V060B12MP12C	17.5	CF/CM24C	600	18.0	14.2	18.00	14.75
YCG18B21S	TM9V060B12MP12C	17.5	CF/CM30C	700	18.0	14.9	18.25	15.00
YCG18B21S	TM9V060B12MP12C	17.5	XAFB24B	600	18.0	14.0	17.75	14.50
YCG18B21S	TM9V060B12MP12C	17.5	XAHB24B	550	18.0	13.5	17.50	14.00
YCG18B21S	TM9V080B12MP12C	17.5	CF/CM/CU18B	625	18.0	14.4	18.00	14.50
YCG18B21S	TM9V080B12MP12C	17.5	CF/CM/CU24B	625	18.0	14.4	18.00	14.50
YCG18B21S	TM9V080B12MP12C	17.5	CF/CM/CU30B	625	18.0	14.2	18.00	14.75
YCG18B21S	TM9V080B12MP12C	17.5	CF/CM/CU36B	575	18.0	13.9	18.50	15.00
YCG18B21S	TM9V080B12MP12C	17.5	XAFB24B	625	18.0	14.3	17.75	14.50
YCG18B21S	TM9V080B12MP12C	17.5	XAHB24B	625	18.0	14.3	17.75	14.50
YCG18B21S	TM9Y040A10MP11	14.5	CF/CM/CU18A	500	17.1	12.7	17.00	13.75
YCG18B21S	TM9Y040A10MP11	14.5	CF/CM/CU24A	500	17.3	12.7	17.00	14.00
YCG18B21S	TM9Y040A10MP11	14.5	CF/CM/CU30A	500	17.4	12.8	17.25	14.00
YCG18B21S	TM9Y040A10MP11	14.5	CF/CM36A	500	17.6	12.8	17.25	14.25

COOLING CAPACITY - With High Efficiency Motor Furnaces¹ (Continued)

UNIT MODEL	FURNACE		COIL MODEL ²	COOLING				
	MODEL	WIDTH		RATED CFM	NET MBH		SEER	EER
					TOTAL	SENS.		
YCG18B21S	TM9Y040A10MP11	14.5	XAF/XAUA24B	500	17.8	12.9	17.00	14.00
YCG18B21S	TM9Y040A10MP11	17.5	XAFB24B	500	17.9	12.9	17.00	14.00
YCG18B21S	TM9Y040A10MP11	14.5	XAHA24B	500	17.8	12.9	17.00	14.00
YCG18B21S	TM9Y040A10MP11	17.5	XAHB24B	500	17.9	12.9	17.00	14.00
YCG18B21S	TM9Y060B12MP11	17.5	CF/CM/CU18B	675	18.0	14.9	17.50	14.50
YCG18B21S	TM9Y060B12MP11	17.5	CF/CM/CU24B	675	18.0	14.8	17.50	14.75
YCG18B21S	TM9Y060B12MP11	17.5	CF/CM/CU30B	675	18.0	14.7	18.00	15.00
YCG18B21S	TM9Y060B12MP11	17.5	CF/CM/CU36B	675	18.0	14.7	18.50	15.00
YCG18B21S	TM9Y060B12MP11	17.5	CF/CM/CU36C	700	18.0	15.0	18.50	15.25
YCG18B21S	TM9Y060B12MP11	17.5	CF/CM24C	675	18.0	14.8	18.00	14.75
YCG18B21S	TM9Y060B12MP11	17.5	CF/CM30C	675	18.0	14.7	18.25	15.00
YCG18B21S	TM9Y060B12MP11	17.5	XAFB24B	675	18.0	14.8	17.50	14.00
YCG18B21S	TM9Y060B12MP11	17.5	XAHB24B	650	18.0	14.6	17.50	14.00
YCG18B21S	TM9Y080B12MP11	17.5	CF/CM/CU30B	700	18.0	14.9	18.00	14.75
YCG18B21S	TM9Y080B12MP11	17.5	CF/CM/CU36B	700	18.0	14.9	18.50	14.75
YCG18B21S	TM9Y080B12MP11	17.5	XAFB24B	700	18.0	15.1	17.75	14.50
YCG18B21S	TM9Y080B12MP11	17.5	XAHB24B	700	18.0	15.1	17.75	14.50
YCG18B21S	TM9Y080C16MP11	21.0	CF/CM/CU36C	600	18.0	14.2	18.50	15.25
YCG18B21S	TM9Y080C16MP11	21.0	CF/CM24C	600	18.0	14.2	18.00	15.00
YCG18B21S	TM9Y080C16MP11	21.0	CF/CM30C	600	18.0	14.1	18.50	15.25
YCG18B21S	TM9Y080C16MP11	21.0	CF/CM36D	600	18.0	14.2	18.50	15.25
YCG18B21S	TM9Y100C16MP11	21.0	CF/CM/CU24C	625	18.0	14.4	18.00	14.75
YCG18B21S	TM9Y100C16MP11	21.0	CF/CM/CU30C	625	18.0	14.2	18.50	15.00
YCG18B21S	TM9Y100C16MP11	21.0	CF/CM/CU30D	650	18.0	14.5	18.50	15.00
YCG18B21S	TM9Y100C16MP11	21.0	CF/CM/CU36C	650	18.0	14.6	18.50	15.00
YCG18B21S	TM9Y100C16MP11	21.0	CF/CM/CU36D	650	18.0	14.6	18.50	15.00
YCG18B21S	TMLE040A12MP11	14.5	XAF/XAUA24B	625	18.0	14.3	17.75	14.50
YCG18B21S	TMLE040A12MP11	17.5	XAFB24B	675	17.9	14.8	18.00	14.50
YCG18B21S	TMLE040A12MP11	14.5	XAHA24B	625	18.0	14.3	17.75	14.50
YCG18B21S	TMLE040A12MP11	17.5	XAHB24B	650	17.9	14.6	18.00	14.50
YCG18B21S	TMLE060A12MP11	14.5	XAF/XAUA24B	725	18.0	15.4	17.50	14.00
YCG18B21S	TMLE060A12MP11	14.5	XAHA24B	725	18.0	15.4	17.50	14.00
YCG18B21S	TMLE080B12MP11	17.5	XAFB24B	725	18.0	15.4	17.75	14.50
YCG18B21S	TMLE080B12MP11	17.5	XAHB24B	700	18.0	15.1	17.75	14.50
YCG18B21S	TMLE100B12MP11	17.5	XAFB24B	700	18.0	15.1	18.00	14.50
YCG18B21S	TMLE100B12MP11	17.5	XAHB24B	700	18.0	15.1	18.00	14.50
YCG18B21S	TMLV060A12MP12C	14.5	CF/CM/CU18A	625	18.0	14.4	17.75	14.25
YCG18B21S	TMLV060A12MP12C	14.5	CF/CM/CU24A	625	18.0	14.4	17.75	14.50
YCG18B21S	TMLV060A12MP12C	14.5	CF/CM/CU30A	625	18.0	14.2	17.75	14.75
YCG18B21S	TMLV060A12MP12C	14.5	CF/CM36A	625	18.0	14.4	18.50	15.00
YCG18B21S	TMLV060A12MP12C	14.5	XAF/XAUA24B	625	18.0	14.3	17.75	14.50
YCG18B21S	TMLV060A12MP12C	17.5	XAFB24B	625	17.9	14.3	17.75	14.50
YCG18B21S	TMLV060A12MP12C	14.5	XAHA24B	625	18.0	14.3	17.75	14.50
YCG18B21S	TMLV060A12MP12C	17.5	XAHB24B	625	17.9	14.3	17.75	14.50
YCG18B21S	TMLV080B12MP12C	17.5	CF/CM/CU18B	625	18.0	14.4	17.50	14.25
YCG18B21S	TMLV080B12MP12C	17.5	CF/CM/CU24B	625	18.0	14.4	18.00	14.50
YCG18B21S	TMLV080B12MP12C	17.5	CF/CM/CU30B	625	18.0	14.2	18.00	14.75
YCG18B21S	TMLV080B12MP12C	17.5	CF/CM/CU36B	625	18.0	14.4	18.50	14.75
YCG18B21S	TMLX060A12MP11	14.5	CF/CM/CU18A	625	18.0	14.4	18.00	14.50
YCG18B21S	TMLX060A12MP11	14.5	CF/CM/CU24A	625	18.0	14.4	18.00	14.50
YCG18B21S	TMLX060A12MP11	14.5	CF/CM/CU30A	625	18.0	14.2	18.50	15.00
YCG18B21S	TMLX060A12MP11	14.5	CF/CM36A	625	18.0	14.4	18.50	15.00
YCG18B21S	TMLX080B12MP11	17.5	CF/CM/CU18B	675	18.0	14.8	18.00	14.50
YCG18B21S	TMLX080B12MP11	17.5	CF/CM/CU24B	675	18.0	14.8	18.00	14.50
YCG18B21S	TMLX080B12MP11	17.5	CF/CM/CU30B	675	18.0	14.7	18.50	15.00
YCG18B21S	TMLX080B12MP11	17.5	CF/CM/CU36B	675	18.0	14.7	18.50	15.00
YCG18B21S	TMLX080C16MP11	21.0	CF/CM/CU30C	700	18.0	14.9	18.25	15.00
YCG18B21S	TMLX080C16MP11	21.0	CF/CM/CU36C	700	18.0	14.9	18.25	14.75
YCG18B21S	TMLX100C16MP11	21.0	CF/CM/CU30C	700	18.0	14.9	18.25	15.00
YCG18B21S	TMLX100C16MP11	21.0	CF/CM/CU36C	700	18.0	14.9	18.25	14.75
YCG18B21S	TP9C060B12MP13C	17.5	CF/CM/CU18B	600	18.0	14.2	17.75	14.50
YCG18B21S	TP9C060B12MP13C	17.5	CF/CM/CU24B	600	18.0	14.2	18.00	14.75
YCG18B21S	TP9C060B12MP13C	17.5	CF/CM/CU30B	600	18.0	14.1	18.25	14.75
YCG18B21S	TP9C060B12MP13C	17.5	CF/CM/CU36B	600	18.0	14.2	18.25	15.00

COOLING CAPACITY - With High Efficiency Motor Furnaces¹ (Continued)

UNIT MODEL	FURNACE		COIL MODEL ²	COOLING				
	MODEL	WIDTH		RATED CFM	NET MBH		SEER	EER
					TOTAL	SENS.		
YCG18B21S	TP9C060B12MP13C	17.5	CF/CM/CU36C	600	18.0	14.2	18.50	15.00
YCG18B21S	TP9C060B12MP13C	17.5	CF/CM24C	600	18.0	14.2	18.00	14.75
YCG18B21S	TP9C060B12MP13C	17.5	CF/CM30C	700	18.0	14.9	18.25	15.00
YCG18B21S	TP9C060B12MP13C	17.5	XAFB24B	600	18.0	14.0	17.75	14.50
YCG18B21S	TP9C060B12MP13C	17.5	XAHB24B	550	18.0	13.5	17.50	14.00
YCG18B21S	TP9C080B12MP13C	17.5	CF/CM/CU18B	625	18.0	14.4	18.00	14.50
YCG18B21S	TP9C080B12MP13C	17.5	CF/CM/CU24B	625	18.0	14.4	18.00	14.50
YCG18B21S	TP9C080B12MP13C	17.5	CF/CM/CU30B	625	18.0	14.2	18.00	14.75
YCG18B21S	TP9C080B12MP13C	17.5	CF/CM/CU36B	575	18.0	13.9	18.50	15.00
YCG18B21S	TP9C080B12MP13C	17.5	XAFB24B	625	18.0	14.3	17.75	14.50
YCG18B21S	TP9C080B12MP13C	17.5	XAHB24B	625	18.0	14.3	17.75	14.50
YCG18B21S	TPLC060A12MP13C	14.5	CF/CM/CU18A	625	18.0	14.4	17.75	14.25
YCG18B21S	TPLC060A12MP13C	14.5	CF/CM/CU24A	625	18.0	14.4	17.75	14.50
YCG18B21S	TPLC060A12MP13C	14.5	CF/CM/CU30A	625	18.0	14.2	17.75	14.75
YCG18B21S	TPLC060A12MP13C	14.5	CF/CM36A	625	18.0	14.4	18.50	15.00
YCG18B21S	TPLC060A12MP13C	14.5	XAF/XAUA24B	625	18.0	14.3	17.75	14.50
YCG18B21S	TPLC060A12MP13C	17.5	XAFB24B	625	17.9	14.3	17.75	14.50
YCG18B21S	TPLC060A12MP13C	14.5	XAHA24B	625	18.0	14.3	17.75	14.50
YCG18B21S	TPLC060A12MP13C	17.5	XAHB24B	625	17.9	14.3	17.75	14.50
YCG18B21S	TPLC080B12MP13C	17.5	CF/CM/CU18B	625	18.0	14.4	17.50	14.25
YCG18B21S	TPLC080B12MP13C	17.5	CF/CM/CU24B	625	18.0	14.4	18.00	14.50
YCG18B21S	TPLC080B12MP13C	17.5	CF/CM/CU30B	625	18.0	14.2	18.00	14.75
YCG18B21S	TPLC080B12MP13C	17.5	CF/CM/CU36B	625	18.0	14.4	18.50	14.75
YCG18B21S	TPLC080B12MP13C	17.5	XAFB24B	625	18.0	14.3	17.50	14.00
YCG18B21S	TPLC080B12MP13C	17.5	XAHB24B	625	18.0	14.3	17.50	14.00
YCG18B21S	YP9C060B12MP13C	17.5	CF/CM/CU18B	600	18.0	14.2	17.75	14.50
YCG18B21S	YP9C060B12MP13C	17.5	CF/CM/CU24B	600	18.0	14.2	18.00	14.75
YCG18B21S	YP9C060B12MP13C	17.5	CF/CM/CU30B	600	18.0	14.1	18.25	14.75
YCG18B21S	YP9C060B12MP13C	17.5	CF/CM/CU36B	600	18.0	14.2	18.25	15.00
YCG18B21S	YP9C060B12MP13C	17.5	CF/CM/CU36C	600	18.0	14.2	18.50	15.00
YCG18B21S	YP9C060B12MP13C	17.5	CF/CM24C	600	18.0	14.2	18.00	14.75
YCG18B21S	YP9C060B12MP13C	17.5	CF/CM30C	700	18.0	14.9	18.25	15.00
YCG18B21S	YP9C060B12MP13C	17.5	XAFB24B	600	18.0	14.0	17.75	14.50
YCG18B21S	YP9C060B12MP13C	17.5	XAHB24B	550	18.0	13.5	17.50	14.00
YCG18B21S	YP9C080B12MP13C	17.5	CF/CM/CU18B	625	18.0	14.4	18.00	14.50
YCG18B21S	YP9C080B12MP13C	17.5	CF/CM/CU24B	625	18.0	14.4	18.00	14.50
YCG18B21S	YP9C080B12MP13C	17.5	CF/CM/CU30B	625	18.0	14.2	18.00	14.75
YCG18B21S	YP9C080B12MP13C	17.5	CF/CM/CU36B	575	18.0	13.9	18.50	15.00
YCG18B21S	YP9C080B12MP13C	17.5	XAFB24B	625	18.0	14.3	17.75	14.50
YCG18B21S	YP9C080B12MP13C	17.5	XAHB24B	625	18.0	14.3	17.75	14.50
YCG18B21S	YPLC060A12MP13C	14.5	CF/CM/CU18A	625	18.0	14.4	17.75	14.25
YCG18B21S	YPLC060A12MP13C	14.5	CF/CM/CU24A	625	18.0	14.4	17.75	14.50
YCG18B21S	YPLC060A12MP13C	14.5	CF/CM/CU30A	625	18.0	14.2	17.75	14.75
YCG18B21S	YPLC060A12MP13C	14.5	CF/CM36A	625	18.0	14.4	18.50	15.00
YCG18B21S	YPLC060A12MP13C	14.5	XAF/XAUA24B	625	18.0	14.3	17.75	14.50
YCG18B21S	YPLC060A12MP13C	17.5	XAFB24B	625	17.9	14.3	17.75	14.50
YCG18B21S	YPLC060A12MP13C	14.5	XAHA24B	625	18.0	14.3	17.75	14.50
YCG18B21S	YPLC060A12MP13C	17.5	XAHB24B	625	17.9	14.3	17.75	14.50
YCG18B21S	YPLC080B12MP13C	17.5	CF/CM/CU18B	625	18.0	14.4	17.50	14.25
YCG18B21S	YPLC080B12MP13C	17.5	CF/CM/CU24B	625	18.0	14.4	18.00	14.50
YCG18B21S	YPLC080B12MP13C	17.5	CF/CM/CU30B	625	18.0	14.2	18.00	14.75
YCG18B21S	YPLC080B12MP13C	17.5	CF/CM/CU36B	625	18.0	14.4	18.50	14.75
YCG18B21S	YPLC080B12MP13C	17.5	XAFB24B	625	18.0	14.3	17.50	14.00
YCG18B21S	YPLC080B12MP13C	17.5	XAHB24B	625	18.0	14.3	17.50	14.00
YCG24B21S	TL8E060A12UH11	14.5	CF/CM/CU24A	650	23.4	16.9	17.25	14.00
YCG24B21S	TL8E060A12UH11	14.5	CF/CM/CU24B	700	23.6	17.8	17.25	14.00
YCG24B21S	TL8E060A12UH11	14.5	CF/CM/CU30A	650	23.8	17.3	17.50	14.00
YCG24B21S	TL8E060A12UH11	14.5	CF/CM/CU30B	650	24.0	17.5	17.75	14.00
YCG24B21S	TL8E060A12UH11	14.5	CF/CM/CU36B	700	24.0	17.7	18.00	14.75
YCG24B21S	TL8E060A12UH11	14.5	CF/CM/CU36C	725	24.0	18.0	18.25	14.75
YCG24B21S	TL8E060A12UH11	14.5	CF/CM/CU42C	725	24.0	18.0	18.25	14.75
YCG24B21S	TL8E060A12UH11	14.5	CF/CM24C	675	23.6	17.3	17.50	14.00
YCG24B21S	TL8E060A12UH11	14.5	CF/CM30C	675	24.0	17.7	17.75	14.25
YCG24B21S	TL8E060A12UH11	14.5	CF/CM36A	625	24.0	17.0	17.75	14.00

COOLING CAPACITY - With High Efficiency Motor Furnaces¹ (Continued)

UNIT MODEL	FURNACE		COIL MODEL ²	COOLING				
	MODEL	WIDTH		RATED CFM	NET MBH		SEER	EER
					TOTAL	SENS.		
YCG24B21S	TL8E060A12UH11	14.5	CF42B	675	24.0	17.7	18.00	14.50
YCG24B21S	TL8E060A12UH11	14.5	XAF/XAUA24B	650	23.4	16.6	17.00	14.00
YCG24B21S	TL8E060A12UH11	17.5	XAF/XAUB30C	700	23.8	17.7	17.75	14.50
YCG24B21S	TL8E060A12UH11	17.5	XAFB24B	675	23.6	16.9	17.25	14.00
YCG24B21S	TL8E060A12UH11	14.5	XAHA24B	650	23.4	16.6	17.00	14.00
YCG24B21S	TL8E060A12UH11	17.5	XAHB24B	675	23.4	16.8	17.25	14.00
YCG24B21S	TL8E060A12UH11	17.5	XAHB30C	675	23.8	17.4	17.75	14.50
YCG24B21S	TL8E080C16UH11	21.0	CF/CM24C	950	24.0	19.4	17.00	13.75
YCG24B21S	TL8E080C16UH11	21.0	CF/CM30C	950	24.0	20.2	17.75	14.75
YCG24B21S	TL8E080C16UH11	21.0	XAFC30C	950	24.0	20.6	17.75	14.50
YCG24B21S	TL8E080C16UH11	21.0	XAHC30C	925	24.0	20.4	17.75	14.50
YCG24B21S	TL9E060B12UH11	17.5	CF/CM/CU24B	650	23.4	16.9	17.25	14.00
YCG24B21S	TL9E060B12UH11	17.5	CF/CM/CU30B	675	24.0	17.7	17.50	14.00
YCG24B21S	TL9E060B12UH11	17.5	CF/CM/CU36B	650	24.0	17.2	17.75	14.00
YCG24B21S	TL9E060B12UH11	17.5	CF/CM/CU36C	700	24.0	17.7	17.75	14.50
YCG24B21S	TL9E060B12UH11	17.5	CF/CM/CU42C	700	24.0	17.8	17.75	14.50
YCG24B21S	TL9E060B12UH11	17.5	CF/CM24C	650	23.4	16.9	17.25	14.00
YCG24B21S	TL9E060B12UH11	17.5	CF/CM30C	650	24.0	17.5	17.50	14.00
YCG24B21S	TL9E060B12UH11	17.5	CF42B	675	24.0	17.7	17.75	14.00
YCG24B21S	TL9E060B12UH11	17.5	XAF/XAUB30C	675	24.0	17.4	17.50	14.00
YCG24B21S	TL9E060B12UH11	17.5	XAFB24B	675	23.4	16.8	17.00	14.00
YCG24B21S	TL9E060B12UH11	21.0	XAFC30C	675	23.8	17.4	17.50	14.00
YCG24B21S	TL9E060B12UH11	17.5	XAHB24B	675	23.4	16.8	17.00	14.00
YCG24B21S	TL9E060B12UH11	17.5	XAHB30C	675	24.0	17.4	17.50	14.00
YCG24B21S	TL9E060B12UH11	21.0	XAHC30C	675	23.8	17.4	17.50	14.00
YCG24B21S	TL9E080C16UH11	21.0	CF/CM/CU36C	925	24.0	20.0	18.00	14.75
YCG24B21S	TL9E080C16UH11	21.0	CF/CM/CU42C	925	24.0	19.9	18.00	14.75
YCG24B21S	TL9E080C16UH11	21.0	CF/CM24C	900	23.8	18.7	17.00	13.75
YCG24B21S	TL9E080C16UH11	21.0	CF/CM30C	925	24.0	19.9	17.75	14.75
YCG24B21S	TL9E080C16UH11	21.0	CF/CM36D	925	24.0	20.0	18.00	14.75
YCG24B21S	TL9E080C16UH11	21.0	CF/CM42D	925	24.0	19.9	18.00	14.75
YCG24B21S	TL9E080C16UH11	21.0	XAFC30C	900	24.0	20.2	17.75	14.50
YCG24B21S	TL9E080C16UH11	21.0	XAHC30C	875	24.0	19.9	17.75	14.50
YCG24B21S	TM8E040A12MP11	14.5	CF/CM/CU24A	650	23.4	16.9	17.25	14.25
YCG24B21S	TM8E040A12MP11	14.5	CF/CM/CU24B	775	24.0	18.6	17.50	14.50
YCG24B21S	TM8E040A12MP11	14.5	CF/CM/CU30A	725	24.0	18.2	17.75	14.50
YCG24B21S	TM8E040A12MP11	14.5	CF/CM/CU30B	775	24.0	18.9	18.00	14.75
YCG24B21S	TM8E040A12MP11	14.5	CF/CM/CU36B	775	24.0	18.6	18.25	14.75
YCG24B21S	TM8E040A12MP11	14.5	CF/CM36A	725	24.0	18.0	18.00	14.75
YCG24B21S	TM8E040A12MP11	14.5	CF42B	775	24.0	18.6	18.00	15.00
YCG24B21S	TM8E040A12MP11	14.5	XAF/XAUA24B	725	23.6	17.3	17.25	14.00
YCG24B21S	TM8E040A12MP11	17.5	XAF/XAUB30C	775	23.8	18.7	18.00	14.75
YCG24B21S	TM8E040A12MP11	17.5	XAFB24B	675	23.6	16.9	17.25	14.00
YCG24B21S	TM8E040A12MP11	14.5	XAHA24B	725	23.6	17.3	17.00	14.00
YCG24B21S	TM8E040A12MP11	17.5	XAHB24B	750	23.8	17.7	17.25	14.00
YCG24B21S	TM8E040A12MP11	17.5	XAHB30C	750	23.8	18.4	18.00	14.75
YCG24B21S	TM8E060A12MP11	14.5	CF/CM/CU24A	725	23.8	18.0	17.00	14.25
YCG24B21S	TM8E060A12MP11	14.5	CF/CM/CU24B	825	24.0	19.2	17.50	14.25
YCG24B21S	TM8E060A12MP11	14.5	CF/CM/CU30A	725	24.0	18.2	17.75	14.50
YCG24B21S	TM8E060A12MP11	14.5	CF/CM/CU30B	825	24.0	19.2	17.75	14.75
YCG24B21S	TM8E060A12MP11	14.5	CF/CM/CU36B	750	24.0	18.2	18.00	14.75
YCG24B21S	TM8E060A12MP11	14.5	CF/CM36A	725	24.0	18.0	18.00	14.50
YCG24B21S	TM8E060A12MP11	14.5	CF42B	825	24.0	19.0	18.00	14.75
YCG24B21S	TM8E060A12MP11	14.5	XAF/XAUA24B	725	23.8	17.3	17.00	14.00
YCG24B21S	TM8E060A12MP11	17.5	XAF/XAUB30C	750	23.8	18.4	17.75	14.50
YCG24B21S	TM8E060A12MP11	17.5	XAFB24B	750	23.6	17.7	17.25	14.00
YCG24B21S	TM8E060A12MP11	14.5	XAHA24B	725	23.8	17.3	17.00	14.00
YCG24B21S	TM8E060A12MP11	17.5	XAHB24B	750	23.6	17.7	17.25	14.00
YCG24B21S	TM8E060A12MP11	17.5	XAHB30C	750	23.8	18.4	17.75	14.50
YCG24B21S	TM8E080B12MP11	17.5	CF/CM/CU24B	725	23.8	17.9	17.25	14.25
YCG24B21S	TM8E080B12MP11	17.5	CF/CM/CU30B	725	24.0	18.3	18.00	14.50
YCG24B21S	TM8E080B12MP11	17.5	CF/CM/CU36B	725	24.0	18.0	18.00	14.75
YCG24B21S	TM8E080B12MP11	17.5	CF/CM/CU36C	750	24.0	18.2	18.00	14.75
YCG24B21S	TM8E080B12MP11	17.5	CF/CM/CU42C	750	24.0	18.2	18.00	15.00

COOLING CAPACITY - With High Efficiency Motor Furnaces¹ (Continued)

UNIT MODEL	FURNACE		COIL MODEL ²	COOLING				
	MODEL	WIDTH		RATED CFM	NET MBH		SEER	EER
					TOTAL	SENS.		
YCG24B21S	TM8E080B12MP11	17.5	CF/CM24C	750	24.0	18.6	17.50	14.25
YCG24B21S	TM8E080B12MP11	17.5	CF/CM30C	750	24.0	18.4	17.75	14.75
YCG24B21S	TM8E080B12MP11	17.5	CF42B	725	24.0	18.0	18.00	14.75
YCG24B21S	TM8E080B12MP11	17.5	XAF/XAUB30C	725	24.0	17.9	18.00	14.50
YCG24B21S	TM8E080B12MP11	17.5	XAFB24B	725	23.8	17.5	17.25	14.00
YCG24B21S	TM8E080B12MP11	21.0	XAFC30C	725	23.8	17.9	17.75	14.50
YCG24B21S	TM8E080B12MP11	17.5	XAHB24B	700	23.8	17.1	17.25	14.00
YCG24B21S	TM8E080B12MP11	17.5	XAHB30C	700	24.0	17.6	17.75	14.50
YCG24B21S	TM8E080B12MP11	21.0	XAHC30C	725	23.8	17.9	17.75	14.50
YCG24B21S	TM8E080C16MP11	21.0	CF/CM/CU36C	825	24.0	19.0	18.50	15.00
YCG24B21S	TM8E080C16MP11	21.0	CF/CM/CU42C	825	24.0	19.0	18.50	15.00
YCG24B21S	TM8E080C16MP11	21.0	CF/CM24C	825	24.0	19.2	17.75	14.75
YCG24B21S	TM8E080C16MP11	21.0	CF/CM30C	825	24.0	19.2	18.25	15.00
YCG24B21S	TM8E080C16MP11	21.0	CF/CM36D	825	24.0	19.0	18.25	15.00
YCG24B21S	TM8E080C16MP11	21.0	CF/CM42D	825	24.0	19.0	18.50	15.00
YCG24B21S	TM8E080C16MP11	21.0	XAFC30C	800	24.0	18.9	18.25	14.75
YCG24B21S	TM8E080C16MP11	21.0	XAHC30C	775	24.0	18.5	18.00	14.75
YCG24B21S	TM8E100B12MP11	17.5	CF/CM/CU24B	725	24.0	18.1	17.50	14.50
YCG24B21S	TM8E100B12MP11	17.5	CF/CM/CU30B	725	24.0	18.3	18.00	14.75
YCG24B21S	TM8E100B12MP11	17.5	CF/CM/CU36B	725	24.0	18.0	18.25	14.75
YCG24B21S	TM8E100B12MP11	17.5	CF/CM/CU36C	725	24.0	18.0	18.00	14.75
YCG24B21S	TM8E100B12MP11	17.5	CF/CM/CU42C	850	24.0	19.2	18.25	15.00
YCG24B21S	TM8E100B12MP11	17.5	CF/CM24C	850	24.0	19.4	17.50	14.50
YCG24B21S	TM8E100B12MP11	17.5	CF/CM30C	850	24.0	19.2	18.00	14.75
YCG24B21S	TM8E100B12MP11	17.5	CF42B	700	24.0	17.8	18.00	14.75
YCG24B21S	TM8E100B12MP11	17.5	XAF/XAUB30C	700	24.0	17.7	18.00	14.75
YCG24B21S	TM8E100B12MP11	17.5	XAFB24B	700	23.8	17.1	17.25	14.00
YCG24B21S	TM8E100B12MP11	21.0	XAFC30C	700	23.8	17.7	18.00	14.75
YCG24B21S	TM8E100B12MP11	17.5	XAHB24B	700	23.8	17.1	17.25	14.00
YCG24B21S	TM8E100B12MP11	17.5	XAHB30C	700	24.0	17.7	18.00	14.75
YCG24B21S	TM8E100B12MP11	21.0	XAHC30C	700	23.8	17.7	18.00	14.75
YCG24B21S	TM8E100C16MP11	21.0	CF/CM/CU36C	800	24.0	18.8	18.50	15.00
YCG24B21S	TM8E100C16MP11	21.0	CF/CM/CU42C	800	24.0	18.6	18.50	15.00
YCG24B21S	TM8E100C16MP11	21.0	CF/CM24C	800	24.0	18.8	17.75	14.50
YCG24B21S	TM8E100C16MP11	21.0	CF/CM30C	800	24.0	18.9	18.00	15.00
YCG24B21S	TM8E100C16MP11	21.0	CF/CM36D	800	24.0	18.8	18.50	15.00
YCG24B21S	TM8E100C16MP11	21.0	CF/CM42D	800	24.0	18.6	18.50	15.00
YCG24B21S	TM8E100C16MP11	21.0	XAFC30C	775	24.0	18.7	18.00	14.75
YCG24B21S	TM8E100C16MP11	21.0	XAHC30C	750	24.0	18.3	18.00	14.75
YCG24B21S	TM8E120C16MP11	21.0	CF/CM/CU36C	825	24.0	19.0	18.50	15.00
YCG24B21S	TM8E120C16MP11	21.0	CF/CM/CU42C	825	24.0	19.0	18.50	15.25
YCG24B21S	TM8E120C16MP11	21.0	CF/CM24C	800	24.0	18.8	17.75	14.50
YCG24B21S	TM8E120C16MP11	21.0	CF/CM30C	800	24.0	18.9	18.00	15.00
YCG24B21S	TM8E120C16MP11	21.0	CF/CM36D	825	24.0	19.0	18.50	15.00
YCG24B21S	TM8E120C16MP11	21.0	CF/CM42D	825	24.0	19.0	18.50	15.25
YCG24B21S	TM8E120C16MP11	21.0	XAFC30C	775	24.0	18.7	18.00	14.75
YCG24B21S	TM8E120C16MP11	21.0	XAHC30C	775	24.0	18.7	18.00	14.75
YCG24B21S	TM8V060A12MP12C	14.5	CF/CM/CU24A	800	24.0	18.9	16.75	13.75
YCG24B21S	TM8V060A12MP12C	14.5	CF/CM/CU30A	800	24.0	18.8	17.00	14.00
YCG24B21S	TM8V060A12MP12C	14.5	CF/CM36A	800	24.0	18.8	17.25	14.25
YCG24B21S	TM8V060A12MP12C	14.5	XAF/XAUA24B	625	23.2	16.2	16.75	13.75
YCG24B21S	TM8V060A12MP12C	17.5	XAF/XAUB30C	700	23.8	17.7	17.75	14.50
YCG24B21S	TM8V060A12MP12C	17.5	XAFB24B	700	23.6	17.1	17.25	14.00
YCG24B21S	TM8V060A12MP12C	14.5	XAHA24B	625	23.2	16.2	16.75	13.75
YCG24B21S	TM8V060A12MP12C	17.5	XAHB24B	725	23.6	17.3	17.00	14.00
YCG24B21S	TM8V060A12MP12C	17.5	XAHB30C	625	23.8	16.7	17.75	14.50
YCG24B21S	TM8V080B12MP12C	17.5	CF/CM/CU24B	825	24.0	19.2	17.00	13.75
YCG24B21S	TM8V080B12MP12C	17.5	CF/CM/CU30B	825	24.0	19.2	17.00	14.00
YCG24B21S	TM8V080B12MP12C	17.5	CF/CM/CU36B	825	24.0	19.1	17.50	14.25
YCG24B21S	TM8V080B12MP12C	17.5	CF42B	825	24.0	19.0	17.50	14.25
YCG24B21S	TM8V080B12MP12C	17.5	XAF/XAUB30C	675	24.0	17.4	17.00	14.00
YCG24B21S	TM8V080B12MP12C	17.5	XAFB24B	675	23.6	16.8	16.75	13.75
YCG24B21S	TM8V080B12MP12C	21.0	XAFC30C	625	23.8	16.6	17.50	14.25
YCG24B21S	TM8V080B12MP12C	17.5	XAHB24B	625	23.4	16.3	16.75	13.75

COOLING CAPACITY - With High Efficiency Motor Furnaces¹ (Continued)

UNIT MODEL	FURNACE		COIL MODEL ²	COOLING				
	MODEL	WIDTH		RATED CFM	NET MBH		SEER	EER
					TOTAL	SENS.		
YCG24B21S	TM8V080B12MP12C	17.5	XAHB30C	625	24.0	16.6	17.00	14.00
YCG24B21S	TM8V080B12MP12C	21.0	XAHC30C	675	23.8	17.4	17.50	14.25
YCG24B21S	TM8V080C16MP12C	21.0	CF/CM/CU30C	875	24.0	19.4	18.00	14.75
YCG24B21S	TM8V080C16MP12C	21.0	CF/CM/CU30D	875	24.0	19.4	18.00	14.75
YCG24B21S	TM8V080C16MP12C	21.0	CF/CM/CU36C	875	24.0	19.5	18.25	14.75
YCG24B21S	TM8V080C16MP12C	21.0	CF/CM/CU36D	875	24.0	19.5	18.25	14.75
YCG24B21S	TM8V080C16MP12C	21.0	CF/CM/CU42C	875	24.0	19.4	18.25	15.00
YCG24B21S	TM8V080C16MP12C	21.0	CF/CM/CU42D	875	24.0	19.4	18.25	15.00
YCG24B21S	TM8V080C16MP12C	21.0	XAFC30C	875	24.0	19.8	18.00	14.75
YCG24B21S	TM8V080C16MP12C	21.0	XAHC30C	875	24.0	19.8	18.00	14.75
YCG24B21S	TM8V100C16MP12C	21.0	CF/CM/CU30C	875	24.0	19.4	18.00	14.75
YCG24B21S	TM8V100C16MP12C	21.0	CF/CM/CU30D	875	24.0	19.4	18.00	14.75
YCG24B21S	TM8V100C16MP12C	21.0	CF/CM/CU36C	875	24.0	19.5	18.25	14.75
YCG24B21S	TM8V100C16MP12C	21.0	CF/CM/CU36D	875	24.0	19.5	18.25	14.75
YCG24B21S	TM8V100C16MP12C	21.0	CF/CM/CU42C	875	24.0	19.4	18.25	15.00
YCG24B21S	TM8V100C16MP12C	21.0	CF/CM/CU42D	875	24.0	19.4	18.25	15.00
YCG24B21S	TM8V100C16MP12C	21.0	XAFC30C	875	24.0	19.8	18.00	14.75
YCG24B21S	TM8V100C16MP12C	21.0	XAHC30C	875	24.0	19.8	18.00	14.75
YCG24B21S	TM8X060A12MP11	14.5	CF/CM/CU24A	750	23.6	18.2	17.00	14.00
YCG24B21S	TM8X060A12MP11	14.5	CF/CM/CU30A	750	24.0	18.3	17.25	14.25
YCG24B21S	TM8X060A12MP11	14.5	CF/CM36A	775	24.0	18.5	18.00	14.50
YCG24B21S	TM8X080B12MP11	17.5	CF/CM/CU24B	775	24.0	18.6	17.50	14.25
YCG24B21S	TM8X080B12MP11	17.5	CF/CM/CU30B	775	24.0	18.9	18.00	14.50
YCG24B21S	TM8X080B12MP11	17.5	CF/CM/CU36B	775	24.0	18.6	18.00	14.75
YCG24B21S	TM8X080B12MP11	17.5	CF42B	825	24.0	19.0	18.50	14.75
YCG24B21S	TM8X080C16MP11	21.0	CF/CM/CU24C	700	23.2	17.5	17.75	14.25
YCG24B21S	TM8X080C16MP11	21.0	CF/CM/CU30C	700	23.6	17.6	18.00	14.75
YCG24B21S	TM8X080C16MP11	21.0	CF/CM/CU30D	725	24.0	18.3	18.50	15.00
YCG24B21S	TM8X080C16MP11	21.0	CF/CM/CU36C	700	24.0	17.7	18.25	14.75
YCG24B21S	TM8X080C16MP11	21.0	CF/CM/CU36D	725	24.0	18.0	18.50	15.00
YCG24B21S	TM8X080C16MP11	21.0	CF/CM/CU42C	700	24.0	17.8	18.25	14.75
YCG24B21S	TM8X080C16MP11	21.0	CF/CM/CU42D	725	24.0	18.0	18.50	15.00
YCG24B21S	TM8X100C16MP11	21.0	CF/CM/CU24C	700	23.2	17.5	17.75	14.25
YCG24B21S	TM8X100C16MP11	21.0	CF/CM/CU30C	700	23.6	17.6	18.00	14.75
YCG24B21S	TM8X100C16MP11	21.0	CF/CM/CU30D	725	24.0	18.3	18.50	15.00
YCG24B21S	TM8X100C16MP11	21.0	CF/CM/CU36C	700	24.0	17.7	18.25	14.75
YCG24B21S	TM8X100C16MP11	21.0	CF/CM/CU36D	725	24.0	18.0	18.50	15.00
YCG24B21S	TM8X100C16MP11	21.0	CF/CM/CU42C	700	24.0	17.8	18.25	14.75
YCG24B21S	TM8X100C16MP11	21.0	CF/CM/CU42D	725	24.0	18.0	18.50	15.00
YCG24B21S	TM8Y060A12MP11	14.5	CF/CM/CU24A	750	23.6	18.2	17.00	14.00
YCG24B21S	TM8Y060A12MP11	14.5	CF/CM/CU30A	750	24.0	18.3	17.25	14.25
YCG24B21S	TM8Y060A12MP11	14.5	CF/CM36A	775	24.0	18.5	18.00	14.50
YCG24B21S	TM8Y060A12MP11	14.5	XAF/XAUA24B	625	23.4	16.2	17.00	14.00
YCG24B21S	TM8Y060A12MP11	17.5	XAF/XAUB30C	650	23.8	16.9	17.75	14.50
YCG24B21S	TM8Y060A12MP11	17.5	XAFB24B	650	23.4	16.6	17.00	14.00
YCG24B21S	TM8Y060A12MP11	14.5	XAHA24B	625	23.4	16.2	17.00	14.00
YCG24B21S	TM8Y060A12MP11	17.5	XAHB24B	625	23.2	16.2	17.00	14.00
YCG24B21S	TM8Y060A12MP11	17.5	XAHB30C	625	23.8	16.6	17.75	14.25
YCG24B21S	TM8Y080B12MP11	17.5	CF/CM/CU24B	775	24.0	18.6	17.50	14.25
YCG24B21S	TM8Y080B12MP11	17.5	CF/CM/CU30B	775	24.0	18.9	18.00	14.50
YCG24B21S	TM8Y080B12MP11	17.5	CF/CM/CU36B	775	24.0	18.6	18.00	14.75
YCG24B21S	TM8Y080B12MP11	17.5	CF42B	825	24.0	19.0	18.50	14.75
YCG24B21S	TM8Y080B12MP11	17.5	XAF/XAUB30C	775	24.0	18.6	17.50	14.25
YCG24B21S	TM8Y080B12MP11	17.5	XAFB24B	750	24.0	17.7	17.00	14.00
YCG24B21S	TM8Y080B12MP11	21.0	XAFC30C	775	23.8	18.6	17.50	14.25
YCG24B21S	TM8Y080B12MP11	17.5	XAHB24B	750	24.0	17.7	17.00	14.00
YCG24B21S	TM8Y080B12MP11	17.5	XAHB30C	650	23.8	16.9	17.75	14.50
YCG24B21S	TM8Y080B12MP11	21.0	XAHC30C	750	23.8	18.4	17.50	14.25
YCG24B21S	TM8Y080C16MP11	21.0	CF/CM/CU24C	700	23.2	17.5	17.75	14.25
YCG24B21S	TM8Y080C16MP11	21.0	CF/CM/CU30C	700	23.6	17.6	18.00	14.75
YCG24B21S	TM8Y080C16MP11	21.0	CF/CM/CU30D	725	24.0	18.3	18.50	15.00
YCG24B21S	TM8Y080C16MP11	21.0	CF/CM/CU36C	700	24.0	17.7	18.25	14.75
YCG24B21S	TM8Y080C16MP11	21.0	CF/CM/CU36D	725	24.0	18.0	18.50	15.00
YCG24B21S	TM8Y080C16MP11	21.0	CF/CM/CU42C	700	24.0	17.8	18.25	14.75

COOLING CAPACITY - With High Efficiency Motor Furnaces¹ (Continued)

UNIT MODEL	FURNACE		COIL MODEL ²	COOLING				
	MODEL	WIDTH		RATED CFM	NET MBH		SEER	EER
					TOTAL	SENS.		
YCG24B21S	TM8Y080C16MP11	21.0	CF/CM/CU42D	725	24.0	18.0	18.50	15.00
YCG24B21S	TM8Y080C16MP11	21.0	XAFC30C	725	24.0	17.9	18.00	14.75
YCG24B21S	TM8Y080C16MP11	21.0	XAHC30C	725	24.0	17.9	18.00	14.75
YCG24B21S	TM8Y100C16MP11	21.0	CF/CM/CU24C	700	23.2	17.5	17.75	14.25
YCG24B21S	TM8Y100C16MP11	21.0	CF/CM/CU30C	700	23.6	17.6	18.00	14.75
YCG24B21S	TM8Y100C16MP11	21.0	CF/CM/CU30D	725	24.0	18.3	18.50	15.00
YCG24B21S	TM8Y100C16MP11	21.0	CF/CM/CU36C	700	24.0	17.7	18.25	14.75
YCG24B21S	TM8Y100C16MP11	21.0	CF/CM/CU36D	725	24.0	18.0	18.50	15.00
YCG24B21S	TM8Y100C16MP11	21.0	CF/CM/CU42C	700	24.0	17.8	18.25	14.75
YCG24B21S	TM8Y100C16MP11	21.0	CF/CM/CU42D	725	24.0	18.0	18.50	15.00
YCG24B21S	TM8Y100C16MP11	21.0	XAFC30C	725	24.0	17.9	18.00	14.75
YCG24B21S	TM8Y100C16MP11	21.0	XAHC30C	725	24.0	17.9	18.00	14.75
YCG24B21S	TM9E026A08MP12	14.5	CF/CM/CU24A	675	23.4	17.1	16.50	13.75
YCG24B21S	TM9E026A08MP12	14.5	CF/CM/CU24B	600	23.2	16.3	16.50	13.75
YCG24B21S	TM9E026A08MP12	14.5	CF/CM/CU30A	675	23.8	17.5	16.75	14.00
YCG24B21S	TM9E026A08MP12	14.5	CF/CM/CU30B	700	24.0	17.9	17.00	14.00
YCG24B21S	TM9E026A08MP12	14.5	CF/CM/CU36B	700	24.0	17.9	17.25	14.25
YCG24B21S	TM9E026A08MP12	14.5	CF/CM36A	675	24.0	17.5	17.00	14.00
YCG24B21S	TM9E026A08MP12	14.5	CF42B	600	23.8	16.7	17.25	14.25
YCG24B21S	TM9E026A08MP12	14.5	XAF/XAU24B	675	23.4	16.9	16.50	13.50
YCG24B21S	TM9E026A08MP12	17.5	XAF/XAUB30C	600	23.6	16.3	17.00	14.00
YCG24B21S	TM9E026A08MP12	17.5	XAFB24B	675	23.2	16.9	16.50	13.50
YCG24B21S	TM9E026A08MP12	14.5	XAHA24B	650	23.4	16.6	16.25	13.50
YCG24B21S	TM9E026A08MP12	17.5	XAHB24B	675	23.2	16.9	16.50	13.50
YCG24B21S	TM9E026A08MP12	17.5	XAHB30C	675	23.6	17.3	17.00	14.00
YCG24B21S	TM9E040A10MP11	14.5	CF/CM/CU24A	775	23.8	18.5	16.00	13.25
YCG24B21S	TM9E040A10MP11	14.5	CF/CM/CU30A	775	24.0	18.9	16.50	13.50
YCG24B21S	TM9E040A10MP11	14.5	CF/CM36A	775	24.0	18.6	16.75	13.75
YCG24B21S	TM9E040A10MP12	14.5	CF/CM/CU24A	600	23.2	16.3	16.50	13.75
YCG24B21S	TM9E040A10MP12	14.5	CF/CM/CU24B	675	23.6	17.3	16.50	13.75
YCG24B21S	TM9E040A10MP12	14.5	CF/CM/CU30A	650	23.8	17.3	17.00	14.00
YCG24B21S	TM9E040A10MP12	14.5	CF/CM/CU30B	625	23.6	17.0	17.00	14.00
YCG24B21S	TM9E040A10MP12	14.5	CF/CM/CU36B	625	23.8	16.8	17.25	14.25
YCG24B21S	TM9E040A10MP12	14.5	CF/CM36A	675	24.0	17.5	17.25	14.25
YCG24B21S	TM9E040A10MP12	14.5	CF42B	625	23.8	17.0	17.25	14.25
YCG24B21S	TM9E040A10MP12	14.5	XAF/XAU24B	600	23.0	16.0	16.50	13.50
YCG24B21S	TM9E040A10MP12	17.5	XAF/XAUB30C	625	23.6	16.7	17.00	14.00
YCG24B21S	TM9E040A10MP12	17.5	XAFB24B	625	23.2	16.3	16.50	13.50
YCG24B21S	TM9E040A10MP12	14.5	XAHA24B	600	23.0	16.0	16.50	13.50
YCG24B21S	TM9E040A10MP12	17.5	XAHB24B	625	23.2	16.3	16.50	13.50
YCG24B21S	TM9E040A10MP12	17.5	XAHB30C	625	23.6	16.7	17.00	14.00
YCG24B21S	TM9E060A10MP12	14.5	CF/CM/CU24A	675	23.6	17.3	17.00	14.00
YCG24B21S	TM9E060A10MP12	14.5	CF/CM/CU24B	700	23.6	17.8	17.00	14.00
YCG24B21S	TM9E060A10MP12	14.5	CF/CM/CU30A	675	24.0	17.7	17.00	14.25
YCG24B21S	TM9E060A10MP12	14.5	CF/CM/CU30B	700	24.0	17.9	17.25	14.25
YCG24B21S	TM9E060A10MP12	14.5	CF/CM/CU36B	700	24.0	17.7	17.50	14.50
YCG24B21S	TM9E060A10MP12	14.5	CF/CM36A	675	24.0	17.5	17.50	14.25
YCG24B21S	TM9E060A10MP12	14.5	CF42B	700	24.0	17.8	17.50	14.50
YCG24B21S	TM9E060A10MP12	14.5	XAF/XAU24B	675	23.4	16.8	16.75	13.75
YCG24B21S	TM9E060A10MP12	17.5	XAF/XAUB30C	700	23.8	17.6	17.25	14.00
YCG24B21S	TM9E060A10MP12	17.5	XAFB24B	700	23.6	17.2	17.00	14.00
YCG24B21S	TM9E060A10MP12	14.5	XAHA24B	650	23.4	16.5	16.75	13.75
YCG24B21S	TM9E060A10MP12	17.5	XAHB24B	675	23.4	16.8	16.75	13.75
YCG24B21S	TM9E060A10MP12	17.5	XAHB30C	675	23.8	17.4	17.25	14.00
YCG24B21S	TM9E060B12MP11	17.5	CF/CM/CU24B	675	23.6	17.3	17.50	14.25
YCG24B21S	TM9E060B12MP11	17.5	CF/CM/CU30B	675	24.0	17.7	17.75	14.50
YCG24B21S	TM9E060B12MP11	17.5	CF/CM/CU36B	675	24.0	17.4	18.00	14.50
YCG24B21S	TM9E060B12MP11	17.5	CF/CM/CU36C	700	24.0	17.7	18.00	14.50
YCG24B21S	TM9E060B12MP11	17.5	CF/CM/CU42C	700	24.0	17.8	18.00	14.50
YCG24B21S	TM9E060B12MP11	17.5	CF/CM24C	675	23.6	17.3	17.50	14.25
YCG24B21S	TM9E060B12MP11	17.5	CF/CM30C	675	24.0	17.7	17.75	14.50
YCG24B21S	TM9E060B12MP11	17.5	CF42B	675	24.0	17.7	18.00	14.50
YCG24B21S	TM9E060B12MP12	17.5	CF/CM/CU24B	750	23.8	18.4	17.00	14.00
YCG24B21S	TM9E060B12MP12	17.5	CF/CM/CU30B	750	24.0	18.3	17.50	14.50

COOLING CAPACITY - With High Efficiency Motor Furnaces¹ (Continued)

UNIT MODEL	FURNACE		COIL MODEL ²	COOLING				
	MODEL	WIDTH		RATED CFM	NET MBH		SEER	EER
					TOTAL	SENS.		
YCG24B21S	TM9E060B12MP12	17.5	CF/CM/CU36B	750	24.0	18.2	17.75	14.50
YCG24B21S	TM9E060B12MP12	17.5	CF/CM/CU36C	750	24.0	18.2	17.75	14.50
YCG24B21S	TM9E060B12MP12	17.5	CF/CM/CU42C	750	24.0	18.2	17.75	14.75
YCG24B21S	TM9E060B12MP12	17.5	CF/CM24C	750	23.8	18.4	17.00	14.00
YCG24B21S	TM9E060B12MP12	17.5	CF/CM30C	750	24.0	18.4	17.50	14.50
YCG24B21S	TM9E060B12MP12	17.5	CF42B	725	24.0	18.1	17.75	14.50
YCG24B21S	TM9E060B12MP12	17.5	XAF/XAUB30C	725	24.0	18.0	17.50	14.25
YCG24B21S	TM9E060B12MP12	17.5	XAFB24B	725	23.8	17.4	17.00	14.00
YCG24B21S	TM9E060B12MP12	21.0	XAFC30C	725	23.8	18.0	17.50	14.25
YCG24B21S	TM9E060B12MP12	17.5	XAHB24B	725	23.8	17.4	17.00	14.00
YCG24B21S	TM9E060B12MP12	17.5	XAHB30C	725	24.0	18.0	17.50	14.25
YCG24B21S	TM9E060B12MP12	21.0	XAHC30C	725	23.8	18.0	17.50	14.25
YCG24B21S	TM9E080B12MP11	17.5	CF/CM/CU24B	700	23.2	17.5	17.25	14.25
YCG24B21S	TM9E080B12MP11	17.5	CF/CM/CU30B	700	23.6	17.6	17.75	14.50
YCG24B21S	TM9E080B12MP11	17.5	CF/CM/CU36B	700	23.8	17.6	18.00	14.50
YCG24B21S	TM9E080B12MP11	17.5	CF42B	875	24.0	19.4	18.00	14.75
YCG24B21S	TM9E080B12MP12	17.5	CF/CM/CU24B	800	24.0	18.9	17.25	14.25
YCG24B21S	TM9E080B12MP12	17.5	CF/CM/CU30B	800	24.0	18.8	17.75	14.75
YCG24B21S	TM9E080B12MP12	17.5	CF/CM/CU36B	800	24.0	18.8	18.00	14.75
YCG24B21S	TM9E080B12MP12	17.5	CF/CM/CU36C	825	24.0	19.0	18.00	14.75
YCG24B21S	TM9E080B12MP12	17.5	CF/CM/CU42C	825	24.0	19.0	18.00	14.75
YCG24B21S	TM9E080B12MP12	17.5	CF/CM24C	800	24.0	18.9	17.25	14.25
YCG24B21S	TM9E080B12MP12	17.5	CF/CM30C	825	24.0	19.2	17.75	14.75
YCG24B21S	TM9E080B12MP12	17.5	CF42B	775	24.0	18.6	18.00	14.75
YCG24B21S	TM9E080B12MP12	17.5	XAF/XAUB30C	800	24.0	19.0	17.75	14.50
YCG24B21S	TM9E080B12MP12	17.5	XAFB24B	775	24.0	17.9	17.00	14.00
YCG24B21S	TM9E080B12MP12	21.0	XAFC30C	800	23.8	19.0	17.75	14.50
YCG24B21S	TM9E080B12MP12	17.5	XAHB24B	775	24.0	17.9	17.00	14.00
YCG24B21S	TM9E080B12MP12	17.5	XAHB30C	775	24.0	18.6	17.75	14.50
YCG24B21S	TM9E080B12MP12	21.0	XAHC30C	775	23.8	18.6	17.75	14.50
YCG24B21S	TM9E080C16MP11	21.0	CF/CM/CU36C	600	23.8	16.6	18.25	14.75
YCG24B21S	TM9E080C16MP11	21.0	CF/CM/CU42C	600	23.8	16.7	18.25	14.75
YCG24B21S	TM9E080C16MP11	21.0	CF/CM24C	600	23.2	16.2	17.50	14.25
YCG24B21S	TM9E080C16MP11	21.0	CF/CM30C	600	23.6	16.6	18.00	14.75
YCG24B21S	TM9E080C16MP11	21.0	CF/CM36D	600	23.8	16.6	18.25	14.75
YCG24B21S	TM9E080C16MP11	21.0	CF/CM42D	600	23.8	16.7	18.25	14.75
YCG24B21S	TM9E080C16MP12	21.0	CF/CM/CU36C	750	24.0	18.3	18.25	15.00
YCG24B21S	TM9E080C16MP12	21.0	CF/CM/CU42C	750	24.0	18.2	18.25	15.00
YCG24B21S	TM9E080C16MP12	21.0	CF/CM24C	750	24.0	18.6	17.75	14.50
YCG24B21S	TM9E080C16MP12	21.0	CF/CM30C	750	24.0	18.4	18.00	14.75
YCG24B21S	TM9E080C16MP12	21.0	CF/CM36D	750	24.0	18.3	18.25	15.00
YCG24B21S	TM9E080C16MP12	21.0	CF/CM42D	925	24.0	19.9	18.25	15.00
YCG24B21S	TM9E080C16MP12	21.0	XAFC30C	725	24.0	17.9	18.00	14.75
YCG24B21S	TM9E080C16MP12	21.0	XAHC30C	700	24.0	17.7	18.00	14.50
YCG24B21S	TM9E100C16MP11	21.0	CF/CM/CU24C	625	22.4	16.1	17.00	13.75
YCG24B21S	TM9E100C16MP11	21.0	CF/CM/CU30C	625	22.8	16.4	17.50	14.25
YCG24B21S	TM9E100C16MP11	21.0	CF/CM/CU30D	650	23.2	16.9	17.75	14.50
YCG24B21S	TM9E100C16MP11	21.0	CF/CM/CU36C	650	23.4	16.8	18.00	14.50
YCG24B21S	TM9E100C16MP11	21.0	CF/CM/CU36D	650	23.4	16.8	18.00	14.50
YCG24B21S	TM9E100C16MP11	21.0	CF/CM/CU42C	650	23.2	16.8	18.00	14.50
YCG24B21S	TM9E100C16MP11	21.0	CF/CM/CU42D	650	23.2	16.8	18.00	14.50
YCG24B21S	TM9E100C16MP12	21.0	CF/CM/CU36C	800	24.0	18.8	18.50	15.00
YCG24B21S	TM9E100C16MP12	21.0	CF/CM/CU42C	800	24.0	18.6	18.50	15.00
YCG24B21S	TM9E100C16MP12	21.0	CF/CM24C	775	24.0	18.6	17.75	14.50
YCG24B21S	TM9E100C16MP12	21.0	CF/CM30C	800	24.0	18.9	18.00	15.00
YCG24B21S	TM9E100C16MP12	21.0	CF/CM36D	800	24.0	18.8	18.25	15.00
YCG24B21S	TM9E100C16MP12	21.0	CF/CM42D	800	24.0	18.6	18.25	15.00
YCG24B21S	TM9E100C16MP12	21.0	XAFC30C	750	24.0	18.3	18.00	14.75
YCG24B21S	TM9E100C16MP12	21.0	XAHC30C	750	24.0	18.4	18.00	14.75
YCG24B21S	TM9V040A10MP12C	14.5	CF/CM/CU24A	650	23.4	16.9	16.50	13.50
YCG24B21S	TM9V040A10MP12C	14.5	CF/CM/CU24B	650	23.4	16.9	16.50	13.50
YCG24B21S	TM9V040A10MP12C	14.5	CF/CM/CU30A	625	23.6	17.0	16.50	13.50
YCG24B21S	TM9V040A10MP12C	14.5	CF/CM/CU30B	650	23.8	17.3	17.00	13.75
YCG24B21S	TM9V040A10MP12C	14.5	CF/CM/CU36B	650	24.0	17.2	17.25	13.75

COOLING CAPACITY - With High Efficiency Motor Furnaces¹ (Continued)

UNIT MODEL	FURNACE		COIL MODEL ²	COOLING				
	MODEL	WIDTH		RATED CFM	NET MBH		SEER	EER
					TOTAL	SENS.		
YCG24B21S	TM9V040A10MP12C	14.5	CF/CM36A	650	24.0	17.3	17.25	13.75
YCG24B21S	TM9V040A10MP12C	14.5	CF42B	650	23.8	17.2	17.25	13.75
YCG24B21S	TM9V040A10MP12C	14.5	XAF/XAUA24B	625	23.2	16.2	16.50	13.50
YCG24B21S	TM9V040A10MP12C	17.5	XAF/XAUB30C	650	23.8	17.0	17.00	13.75
YCG24B21S	TM9V040A10MP12C	17.5	XAFB24B	650	23.2	16.5	16.50	13.50
YCG24B21S	TM9V040A10MP12C	14.5	XAHA24B	625	23.2	16.2	16.50	13.50
YCG24B21S	TM9V040A10MP12C	17.5	XAHB24B	650	23.2	16.5	16.50	13.50
YCG24B21S	TM9V040A10MP12C	17.5	XAHB30C	625	23.8	16.7	17.00	13.75
YCG24B21S	TM9V060B12MP12C	17.5	CF/CM/CU24B	700	23.6	17.8	17.25	14.00
YCG24B21S	TM9V060B12MP12C	17.5	CF/CM/CU30B	700	24.0	17.9	17.25	14.00
YCG24B21S	TM9V060B12MP12C	17.5	CF/CM/CU36B	700	24.0	17.7	17.75	14.50
YCG24B21S	TM9V060B12MP12C	17.5	CF/CM/CU36C	700	24.0	17.7	17.75	14.50
YCG24B21S	TM9V060B12MP12C	17.5	CF/CM/CU42C	700	24.0	17.8	17.75	14.50
YCG24B21S	TM9V060B12MP12C	17.5	CF/CM24C	775	24.0	18.6	17.25	14.00
YCG24B21S	TM9V060B12MP12C	17.5	CF/CM30C	700	24.0	17.9	17.25	14.00
YCG24B21S	TM9V060B12MP12C	17.5	CF42B	700	24.0	17.8	17.75	14.50
YCG24B21S	TM9V060B12MP12C	17.5	XAF/XAUB30C	700	24.0	17.6	17.25	14.00
YCG24B21S	TM9V060B12MP12C	17.5	XAFB24B	700	23.6	17.2	17.00	14.00
YCG24B21S	TM9V060B12MP12C	21.0	XAFC30C	700	23.8	17.6	17.25	14.00
YCG24B21S	TM9V060B12MP12C	17.5	XAHB24B	700	23.6	17.2	16.75	13.75
YCG24B21S	TM9V060B12MP12C	17.5	XAHB30C	650	24.0	17.0	17.25	14.00
YCG24B21S	TM9V060B12MP12C	21.0	XAHC30C	700	23.8	17.6	17.25	14.00
YCG24B21S	TM9V080B12MP12C	17.5	CF/CM/CU24B	800	24.0	18.9	17.50	14.25
YCG24B21S	TM9V080B12MP12C	17.5	CF/CM/CU30B	800	24.0	18.8	17.25	14.25
YCG24B21S	TM9V080B12MP12C	17.5	CF/CM/CU36B	800	24.0	18.8	18.50	15.00
YCG24B21S	TM9V080B12MP12C	17.5	CF42B	800	24.0	18.7	18.00	14.50
YCG24B21S	TM9V080B12MP12C	17.5	XAF/XAUB30C	675	24.0	17.3	17.25	14.00
YCG24B21S	TM9V080B12MP12C	17.5	XAFB24B	750	24.0	17.7	17.00	14.00
YCG24B21S	TM9V080B12MP12C	21.0	XAFC30C	675	23.8	17.3	17.75	14.50
YCG24B21S	TM9V080B12MP12C	17.5	XAHB24B	750	24.0	17.7	17.00	14.00
YCG24B21S	TM9V080B12MP12C	17.5	XAHB30C	750	24.0	18.4	17.25	14.00
YCG24B21S	TM9V080B12MP12C	21.0	XAHC30C	750	23.8	18.4	17.50	14.25
YCG24B21S	TM9V080C16MP12C	21.0	CF/CM/CU36C	950	24.0	20.2	18.00	14.50
YCG24B21S	TM9V080C16MP12C	21.0	CF/CM/CU42C	950	24.0	20.2	18.00	14.50
YCG24B21S	TM9V080C16MP12C	21.0	CF/CM30C	950	24.0	20.2	17.75	14.50
YCG24B21S	TM9V080C16MP12C	21.0	CF/CM36D	950	24.0	20.2	18.00	14.50
YCG24B21S	TM9V080C16MP12C	21.0	CF/CM42D	950	24.0	20.2	18.00	14.50
YCG24B21S	TM9V080C16MP12C	21.0	XAFC30C	950	24.0	20.6	17.50	14.25
YCG24B21S	TM9V080C16MP12C	21.0	XAHC30C	950	24.0	20.6	17.50	14.25
YCG24B21S	TM9V100C16MP12C	21.0	CF/CM/CU30C	900	24.0	20.0	18.00	14.50
YCG24B21S	TM9V100C16MP12C	21.0	CF/CM/CU30D	900	24.0	20.0	18.00	14.50
YCG24B21S	TM9V100C16MP12C	21.0	CF/CM/CU36C	900	24.0	19.8	18.00	14.50
YCG24B21S	TM9V100C16MP12C	21.0	CF/CM/CU36D	900	24.0	19.8	18.25	14.75
YCG24B21S	TM9V100C16MP12C	21.0	CF/CM/CU42C	900	24.0	19.7	18.25	14.75
YCG24B21S	TM9V100C16MP12C	21.0	CF/CM/CU42D	900	24.0	19.7	18.50	14.75
YCG24B21S	TM9V100C16MP12C	21.0	XAFC30C	900	24.0	20.0	18.00	14.50
YCG24B21S	TM9V100C16MP12C	21.0	XAHC30C	900	24.0	20.2	18.00	14.50
YCG24B21S	TM9Y040A10MP11	14.5	CF/CM/CU24A	775	23.8	18.5	16.00	13.25
YCG24B21S	TM9Y040A10MP11	14.5	CF/CM/CU30A	775	24.0	18.9	16.50	13.50
YCG24B21S	TM9Y040A10MP11	14.5	CF/CM36A	775	24.0	18.6	16.75	13.75
YCG24B21S	TM9Y040A10MP11	14.5	XAF/XAUA24B	675	23.4	16.8	16.00	13.25
YCG24B21S	TM9Y040A10MP11	17.5	XAF/XAUB30C	700	23.8	17.6	16.50	13.50
YCG24B21S	TM9Y040A10MP11	17.5	XAFB24B	675	23.2	16.8	16.00	13.25
YCG24B21S	TM9Y040A10MP11	14.5	XAHA24B	675	23.4	16.8	16.00	13.25
YCG24B21S	TM9Y040A10MP11	17.5	XAHB24B	675	23.2	16.8	16.00	13.25
YCG24B21S	TM9Y040A10MP11	17.5	XAHB30C	675	23.8	17.4	16.50	13.50
YCG24B21S	TM9Y060B12MP11	17.5	CF/CM/CU24B	675	23.6	17.3	17.50	14.25
YCG24B21S	TM9Y060B12MP11	17.5	CF/CM/CU30B	675	24.0	17.7	17.75	14.50
YCG24B21S	TM9Y060B12MP11	17.5	CF/CM/CU36B	675	24.0	17.4	18.00	14.50
YCG24B21S	TM9Y060B12MP11	17.5	CF/CM/CU36C	700	24.0	17.7	18.00	14.50
YCG24B21S	TM9Y060B12MP11	17.5	CF/CM/CU42C	700	24.0	17.8	18.00	14.50
YCG24B21S	TM9Y060B12MP11	17.5	CF/CM24C	675	23.6	17.3	17.50	14.25
YCG24B21S	TM9Y060B12MP11	17.5	CF/CM30C	675	24.0	17.7	17.75	14.50
YCG24B21S	TM9Y060B12MP11	17.5	CF42B	675	24.0	17.7	18.00	14.50

COOLING CAPACITY - With High Efficiency Motor Furnaces¹ (Continued)

UNIT MODEL	FURNACE		COIL MODEL ²	COOLING				
	MODEL	WIDTH		RATED CFM	NET MBH		SEER	EER
					TOTAL	SENS.		
YCG24B21S	TM9Y060B12MP11	17.5	XAF/XAUB30C	675	24.0	17.4	17.25	14.00
YCG24B21S	TM9Y060B12MP11	17.5	XAFB24B	675	23.6	16.8	17.00	14.00
YCG24B21S	TM9Y060B12MP11	21.0	XAFC30C	675	23.8	17.4	17.25	14.00
YCG24B21S	TM9Y060B12MP11	17.5	XAHB24B	650	23.6	16.6	17.00	14.00
YCG24B21S	TM9Y060B12MP11	17.5	XAHC30C	650	24.0	17.0	17.25	14.00
YCG24B21S	TM9Y060B12MP11	21.0	XAHC30C	675	23.8	17.4	17.25	14.00
YCG24B21S	TM9Y080B12MP11	17.5	CF/CM/CU24B	700	23.2	17.5	17.25	14.25
YCG24B21S	TM9Y080B12MP11	17.5	CF/CM/CU30B	700	23.6	17.6	17.75	14.50
YCG24B21S	TM9Y080B12MP11	17.5	CF/CM/CU36B	700	23.8	17.6	18.00	14.50
YCG24B21S	TM9Y080B12MP11	17.5	CF42B	875	24.0	19.4	18.00	14.75
YCG24B21S	TM9Y080B12MP11	17.5	XAF/XAUB30C	700	24.0	17.7	17.25	14.00
YCG24B21S	TM9Y080B12MP11	17.5	XAFB24B	700	23.8	17.1	17.00	14.00
YCG24B21S	TM9Y080B12MP11	21.0	XAFC30C	700	23.8	17.7	17.25	14.00
YCG24B21S	TM9Y080B12MP11	17.5	XAHB24B	700	23.8	17.1	17.00	14.00
YCG24B21S	TM9Y080B12MP11	17.5	XAHC30C	700	24.0	17.6	17.25	14.00
YCG24B21S	TM9Y080B12MP11	21.0	XAHC30C	700	23.8	17.7	17.25	14.00
YCG24B21S	TM9Y080C16MP11	21.0	CF/CM/CU36C	600	23.8	16.6	18.25	14.75
YCG24B21S	TM9Y080C16MP11	21.0	CF/CM/CU42C	600	23.8	16.7	18.25	14.75
YCG24B21S	TM9Y080C16MP11	21.0	CF/CM24C	600	23.2	16.2	17.50	14.25
YCG24B21S	TM9Y080C16MP11	21.0	CF/CM30C	600	23.6	16.6	18.00	14.75
YCG24B21S	TM9Y080C16MP11	21.0	CF/CM36D	600	23.8	16.6	18.25	14.75
YCG24B21S	TM9Y080C16MP11	21.0	CF/CM42D	600	23.8	16.7	18.25	14.75
YCG24B21S	TM9Y080C16MP11	21.0	XAHC30C	950	24.0	20.6	17.50	14.25
YCG24B21S	TM9Y100C16MP11	21.0	CF/CM/CU24C	625	22.4	16.1	17.00	13.75
YCG24B21S	TM9Y100C16MP11	21.0	CF/CM/CU30C	625	22.8	16.4	17.50	14.25
YCG24B21S	TM9Y100C16MP11	21.0	CF/CM/CU30D	650	23.2	16.9	17.75	14.50
YCG24B21S	TM9Y100C16MP11	21.0	CF/CM/CU36C	650	23.4	16.8	18.00	14.50
YCG24B21S	TM9Y100C16MP11	21.0	CF/CM/CU36D	650	23.4	16.8	18.00	14.50
YCG24B21S	TM9Y100C16MP11	21.0	CF/CM/CU42C	650	23.2	16.8	18.00	14.50
YCG24B21S	TM9Y100C16MP11	21.0	CF/CM/CU42D	650	23.2	16.8	18.00	14.50
YCG24B21S	TM9Y100C16MP11	21.0	XAHC30C	950	24.0	20.6	17.50	14.25
YCG24B21S	TMLE040A12MP11	14.5	XAF/XAUA24B	725	23.6	17.3	17.25	14.00
YCG24B21S	TMLE040A12MP11	17.5	XAF/XAUB30C	775	23.8	18.7	18.00	14.75
YCG24B21S	TMLE040A12MP11	17.5	XAFB24B	675	23.6	16.9	17.25	14.00
YCG24B21S	TMLE040A12MP11	14.5	XAHA24B	725	23.6	17.3	17.00	14.00
YCG24B21S	TMLE040A12MP11	17.5	XAHB24B	750	23.8	17.7	17.25	14.00
YCG24B21S	TMLE040A12MP11	17.5	XAHC30C	750	23.8	18.4	18.00	14.75
YCG24B21S	TMLE060A12MP11	14.5	XAF/XAUA24B	725	23.8	17.3	17.00	14.00
YCG24B21S	TMLE060A12MP11	17.5	XAF/XAUB30C	750	23.8	18.4	17.75	14.50
YCG24B21S	TMLE060A12MP11	17.5	XAFB24B	750	23.6	17.7	17.25	14.00
YCG24B21S	TMLE060A12MP11	14.5	XAHA24B	725	23.8	17.3	17.00	14.00
YCG24B21S	TMLE060A12MP11	17.5	XAHB24B	750	23.6	17.7	17.25	14.00
YCG24B21S	TMLE060A12MP11	17.5	XAHC30C	750	23.8	18.4	17.75	14.50
YCG24B21S	TMLE080B12MP11	17.5	XAF/XAUB30C	725	24.0	17.9	18.00	14.50
YCG24B21S	TMLE080B12MP11	17.5	XAFB24B	725	23.8	17.5	17.25	14.00
YCG24B21S	TMLE080B12MP11	21.0	XAFC30C	725	23.8	17.9	17.75	14.50
YCG24B21S	TMLE080B12MP11	17.5	XAHB24B	700	23.8	17.1	17.25	14.00
YCG24B21S	TMLE080B12MP11	17.5	XAHC30C	700	24.0	17.6	17.75	14.50
YCG24B21S	TMLE080B12MP11	21.0	XAHC30C	725	23.8	17.9	17.75	14.50
YCG24B21S	TMLE080C16MP11	21.0	XAFC30C	800	24.0	18.9	18.25	14.75
YCG24B21S	TMLE080C16MP11	21.0	XAHC30C	775	24.0	18.5	18.00	14.75
YCG24B21S	TMLE100B12MP11	17.5	XAF/XAUB30C	700	24.0	17.7	18.00	14.75
YCG24B21S	TMLE100B12MP11	17.5	XAFB24B	700	23.8	17.1	17.25	14.00
YCG24B21S	TMLE100B12MP11	21.0	XAFC30C	700	23.8	17.7	18.00	14.75
YCG24B21S	TMLE100B12MP11	17.5	XAHB24B	700	23.8	17.1	17.25	14.00
YCG24B21S	TMLE100B12MP11	17.5	XAHC30C	700	24.0	17.7	18.00	14.75
YCG24B21S	TMLE100B12MP11	21.0	XAHC30C	700	23.8	17.7	18.00	14.75
YCG24B21S	TMLE100C16MP11	21.0	XAFC30C	775	24.0	18.7	18.00	14.75
YCG24B21S	TMLE100C16MP11	21.0	XAHC30C	750	24.0	18.3	18.00	14.75
YCG24B21S	TMLE120C16MP11	21.0	XAFC30C	775	24.0	18.7	18.00	14.75
YCG24B21S	TMLE120C16MP11	21.0	XAHC30C	775	24.0	18.7	18.00	14.75
YCG24B21S	TMLV060A12MP12C	14.5	CF/CM/CU24A	800	24.0	18.9	16.75	13.75
YCG24B21S	TMLV060A12MP12C	14.5	CF/CM/CU30A	800	24.0	18.8	17.00	14.00
YCG24B21S	TMLV060A12MP12C	14.5	CF/CM36A	800	24.0	18.8	17.25	14.25

COOLING CAPACITY - With High Efficiency Motor Furnaces¹ (Continued)

UNIT MODEL	FURNACE		COIL MODEL ²	COOLING				
	MODEL	WIDTH		RATED CFM	NET MBH		SEER	EER
					TOTAL	SENS.		
YCG24B21S	TMLV060A12MP12C	14.5	XAF/XAUA24B	625	23.2	16.2	16.75	13.75
YCG24B21S	TMLV060A12MP12C	17.5	XAF/XAUB30C	700	23.8	17.7	17.75	14.50
YCG24B21S	TMLV060A12MP12C	17.5	XAFB24B	700	23.6	17.1	17.25	14.00
YCG24B21S	TMLV060A12MP12C	14.5	XAHA24B	625	23.2	16.2	16.75	13.75
YCG24B21S	TMLV060A12MP12C	17.5	XAHB24B	725	23.6	17.3	17.00	14.00
YCG24B21S	TMLV060A12MP12C	17.5	XAHB30C	625	23.8	16.7	17.75	14.50
YCG24B21S	TMLV080B12MP12C	17.5	CF/CM/CU24B	825	24.0	19.2	17.00	13.75
YCG24B21S	TMLV080B12MP12C	17.5	CF/CM/CU30B	825	24.0	19.2	17.00	14.00
YCG24B21S	TMLV080B12MP12C	17.5	CF/CM/CU36B	825	24.0	19.1	17.50	14.25
YCG24B21S	TMLV080B12MP12C	17.5	CF42B	825	24.0	19.0	17.50	14.25
YCG24B21S	TMLV080C16MP12C	21.0	CF/CM/CU30C	875	24.0	19.4	18.00	14.75
YCG24B21S	TMLV080C16MP12C	21.0	CF/CM/CU30D	875	24.0	19.4	18.00	14.75
YCG24B21S	TMLV080C16MP12C	21.0	CF/CM/CU36C	875	24.0	19.5	18.25	14.75
YCG24B21S	TMLV080C16MP12C	21.0	CF/CM/CU36D	875	24.0	19.5	18.25	14.75
YCG24B21S	TMLV080C16MP12C	21.0	CF/CM/CU42C	875	24.0	19.4	18.25	15.00
YCG24B21S	TMLV080C16MP12C	21.0	CF/CM/CU42D	875	24.0	19.4	18.25	15.00
YCG24B21S	TMLV100C16MP12C	21.0	CF/CM/CU30C	875	24.0	19.4	18.00	14.75
YCG24B21S	TMLV100C16MP12C	21.0	CF/CM/CU30D	875	24.0	19.4	18.00	14.75
YCG24B21S	TMLV100C16MP12C	21.0	CF/CM/CU36C	875	24.0	19.5	18.25	14.75
YCG24B21S	TMLV100C16MP12C	21.0	CF/CM/CU36D	875	24.0	19.5	18.25	14.75
YCG24B21S	TMLV100C16MP12C	21.0	CF/CM/CU42C	875	24.0	19.4	18.25	15.00
YCG24B21S	TMLV100C16MP12C	21.0	CF/CM/CU42D	875	24.0	19.4	18.25	15.00
YCG24B21S	TMLV100C16MP12C	21.0	XAFC30C	875	24.0	19.8	18.00	14.75
YCG24B21S	TMLV100C16MP12C	21.0	XAHC30C	875	24.0	19.8	18.00	14.75
YCG24B21S	TMLX060A12MP11	14.5	CF/CM/CU24A	750	23.6	18.2	17.00	14.00
YCG24B21S	TMLX060A12MP11	14.5	CF/CM/CU30A	750	24.0	18.3	17.25	14.25
YCG24B21S	TMLX060A12MP11	14.5	CF/CM36A	775	24.0	18.5	18.00	14.50
YCG24B21S	TMLX080B12MP11	17.5	CF/CM/CU24B	775	24.0	18.6	17.50	14.25
YCG24B21S	TMLX080B12MP11	17.5	CF/CM/CU30B	775	24.0	18.9	18.00	14.50
YCG24B21S	TMLX080B12MP11	17.5	CF/CM/CU36B	775	24.0	18.6	18.00	14.75
YCG24B21S	TMLX080B12MP11	17.5	CF42B	825	24.0	19.0	18.50	14.75
YCG24B21S	TMLX080C16MP11	21.0	CF/CM/CU24C	700	23.2	17.5	17.75	14.25
YCG24B21S	TMLX080C16MP11	21.0	CF/CM/CU30C	700	23.6	17.6	18.00	14.75
YCG24B21S	TMLX080C16MP11	21.0	CF/CM/CU30D	725	24.0	18.3	18.50	15.00
YCG24B21S	TMLX080C16MP11	21.0	CF/CM/CU36C	700	24.0	17.7	18.25	14.75
YCG24B21S	TMLX080C16MP11	21.0	CF/CM/CU36D	725	24.0	18.0	18.50	15.00
YCG24B21S	TMLX080C16MP11	21.0	CF/CM/CU42C	700	24.0	17.8	18.25	14.75
YCG24B21S	TMLX080C16MP11	21.0	CF/CM/CU42D	725	24.0	18.0	18.50	15.00
YCG24B21S	TMLX100C16MP11	21.0	CF/CM/CU24C	700	23.2	17.5	17.75	14.25
YCG24B21S	TMLX100C16MP11	21.0	CF/CM/CU30C	700	23.6	17.6	18.00	14.75
YCG24B21S	TMLX100C16MP11	21.0	CF/CM/CU30D	725	24.0	18.3	18.50	15.00
YCG24B21S	TMLX100C16MP11	21.0	CF/CM/CU36C	700	24.0	17.7	18.25	14.75
YCG24B21S	TMLX100C16MP11	21.0	CF/CM/CU36D	725	24.0	18.0	18.50	15.00
YCG24B21S	TMLX100C16MP11	21.0	CF/CM/CU42C	700	24.0	17.8	18.25	14.75
YCG24B21S	TMLX100C16MP11	21.0	CF/CM/CU42D	725	24.0	18.0	18.50	15.00
YCG24B21S	TP9C060B12MP13C	17.5	CF/CM/CU24B	700	23.6	17.8	17.25	14.00
YCG24B21S	TP9C060B12MP13C	17.5	CF/CM/CU30B	700	24.0	17.9	17.25	14.00
YCG24B21S	TP9C060B12MP13C	17.5	CF/CM/CU36B	700	24.0	17.7	17.75	14.50
YCG24B21S	TP9C060B12MP13C	17.5	CF/CM/CU36C	700	24.0	17.7	17.75	14.50
YCG24B21S	TP9C060B12MP13C	17.5	CF/CM/CU42C	700	24.0	17.8	17.75	14.50
YCG24B21S	TP9C060B12MP13C	17.5	CF/CM24C	775	24.0	18.6	17.25	14.00
YCG24B21S	TP9C060B12MP13C	17.5	CF/CM30C	700	24.0	17.9	17.25	14.00
YCG24B21S	TP9C060B12MP13C	17.5	CF42B	700	24.0	17.8	17.75	14.50
YCG24B21S	TP9C060B12MP13C	17.5	XAF/XAUB30C	700	24.0	17.6	17.25	14.00
YCG24B21S	TP9C060B12MP13C	17.5	XAFB24B	700	23.6	17.2	17.00	14.00
YCG24B21S	TP9C060B12MP13C	21.0	XAFC30C	700	23.8	17.6	17.25	14.00
YCG24B21S	TP9C060B12MP13C	17.5	XAHB24B	700	23.6	17.2	16.75	13.75
YCG24B21S	TP9C060B12MP13C	17.5	XAHB30C	650	24.0	17.0	17.25	14.00
YCG24B21S	TP9C060B12MP13C	21.0	XAHC30C	700	23.8	17.6	17.25	14.00
YCG24B21S	TP9C080B12MP13C	17.5	CF/CM/CU24B	800	24.0	18.9	17.50	14.25
YCG24B21S	TP9C080B12MP13C	17.5	CF/CM/CU30B	800	24.0	18.8	17.25	14.25
YCG24B21S	TP9C080B12MP13C	17.5	CF/CM/CU36B	800	24.0	18.8	18.50	15.00
YCG24B21S	TP9C080B12MP13C	17.5	CF42B	800	24.0	18.7	18.00	14.50
YCG24B21S	TP9C080B12MP13C	17.5	XAF/XAUB30C	675	24.0	17.3	17.25	14.00

COOLING CAPACITY - With High Efficiency Motor Furnaces¹ (Continued)

UNIT MODEL	FURNACE		COIL MODEL ²	COOLING				
	MODEL	WIDTH		RATED CFM	NET MBH		SEER	EER
					TOTAL	SENS.		
YCG24B21S	TP9C080B12MP13C	17.5	XAFB24B	750	24.0	17.7	17.00	14.00
YCG24B21S	TP9C080B12MP13C	21.0	XAFC30C	675	23.8	17.3	17.75	14.50
YCG24B21S	TP9C080B12MP13C	17.5	XAHB24B	750	24.0	17.7	17.00	14.00
YCG24B21S	TP9C080B12MP13C	17.5	XAHB30C	750	24.0	18.4	17.25	14.00
YCG24B21S	TP9C080B12MP13C	21.0	XAHC30C	750	23.8	18.4	17.50	14.25
YCG24B21S	TP9C080C16MP13C	21.0	CF/CM/CU36C	950	24.0	20.2	18.00	14.50
YCG24B21S	TP9C080C16MP13C	21.0	CF/CM/CU42C	950	24.0	20.2	18.00	14.50
YCG24B21S	TP9C080C16MP13C	21.0	CF/CM30C	950	24.0	20.2	17.75	14.50
YCG24B21S	TP9C080C16MP13C	21.0	CF/CM36D	950	24.0	20.2	18.00	14.50
YCG24B21S	TP9C080C16MP13C	21.0	CF/CM42D	950	24.0	20.2	18.00	14.50
YCG24B21S	TP9C080C16MP13C	21.0	XAFC30C	950	24.0	20.6	17.50	14.25
YCG24B21S	TP9C080C16MP13C	21.0	XAHC30C	950	24.0	20.6	17.50	14.25
YCG24B21S	TP9C100C16MP13C	21.0	CF/CM/CU30C	900	24.0	20.0	18.00	14.50
YCG24B21S	TP9C100C16MP13C	21.0	CF/CM/CU30D	900	24.0	20.0	18.00	14.50
YCG24B21S	TP9C100C16MP13C	21.0	CF/CM/CU36C	900	24.0	19.8	18.00	14.50
YCG24B21S	TP9C100C16MP13C	21.0	CF/CM/CU36D	900	24.0	19.8	18.25	14.75
YCG24B21S	TP9C100C16MP13C	21.0	CF/CM/CU42C	900	24.0	19.7	18.25	14.75
YCG24B21S	TP9C100C16MP13C	21.0	CF/CM/CU42D	900	24.0	19.7	18.50	14.75
YCG24B21S	TP9C100C16MP13C	21.0	XAFC30C	900	24.0	20.0	18.00	14.50
YCG24B21S	TP9C100C16MP13C	21.0	XAHC30C	900	24.0	20.2	18.00	14.50
YCG24B21S	TPLC060A12MP13C	14.5	CF/CM/CU24A	800	24.0	18.9	16.75	13.75
YCG24B21S	TPLC060A12MP13C	14.5	CF/CM/CU30A	800	24.0	18.8	17.00	14.00
YCG24B21S	TPLC060A12MP13C	14.5	CF/CM36A	800	24.0	18.8	17.25	14.25
YCG24B21S	TPLC060A12MP13C	14.5	XAF/XAUA24B	625	23.2	16.2	16.75	13.75
YCG24B21S	TPLC060A12MP13C	17.5	XAF/XAUB30C	700	23.8	17.7	17.75	14.50
YCG24B21S	TPLC060A12MP13C	17.5	XAFB24B	700	23.6	17.1	17.25	14.00
YCG24B21S	TPLC060A12MP13C	14.5	XAHA24B	625	23.2	16.2	16.75	13.75
YCG24B21S	TPLC060A12MP13C	17.5	XAHB24B	725	23.6	17.3	17.00	14.00
YCG24B21S	TPLC060A12MP13C	17.5	XAHB30C	625	23.8	16.7	17.75	14.50
YCG24B21S	TPLC080B12MP13C	17.5	CF/CM/CU24B	825	24.0	19.2	17.00	13.75
YCG24B21S	TPLC080B12MP13C	17.5	CF/CM/CU30B	825	24.0	19.2	17.00	14.00
YCG24B21S	TPLC080B12MP13C	17.5	CF/CM/CU36B	825	24.0	19.1	17.50	14.25
YCG24B21S	TPLC080B12MP13C	17.5	CF42B	825	24.0	19.0	17.50	14.25
YCG24B21S	TPLC080B12MP13C	17.5	XAF/XAUB30C	675	24.0	17.4	17.00	14.00
YCG24B21S	TPLC080B12MP13C	17.5	XAFB24B	675	23.6	16.8	16.75	13.75
YCG24B21S	TPLC080B12MP13C	21.0	XAFC30C	625	23.8	16.6	17.50	14.25
YCG24B21S	TPLC080B12MP13C	17.5	XAHB24B	625	23.4	16.3	16.75	13.75
YCG24B21S	TPLC080B12MP13C	17.5	XAHB30C	625	24.0	16.6	17.00	14.00
YCG24B21S	TPLC080B12MP13C	21.0	XAHC30C	675	23.8	17.4	17.50	14.25
YCG24B21S	TPLC080C16MP13C	21.0	CF/CM/CU30C	875	24.0	19.4	18.00	14.75
YCG24B21S	TPLC080C16MP13C	21.0	CF/CM/CU30D	875	24.0	19.4	18.00	14.75
YCG24B21S	TPLC080C16MP13C	21.0	CF/CM/CU36C	875	24.0	19.5	18.25	14.75
YCG24B21S	TPLC080C16MP13C	21.0	CF/CM/CU36D	875	24.0	19.5	18.25	14.75
YCG24B21S	TPLC080C16MP13C	21.0	CF/CM/CU42C	875	24.0	19.4	18.25	15.00
YCG24B21S	TPLC080C16MP13C	21.0	CF/CM/CU42D	875	24.0	19.4	18.25	15.00
YCG24B21S	TPLC080C16MP13C	21.0	XAFC30C	875	24.0	19.8	18.00	14.75
YCG24B21S	TPLC080C16MP13C	21.0	XAHC30C	875	24.0	19.8	18.00	14.75
YCG24B21S	TPLC100C16MP13C	21.0	CF/CM/CU30C	875	24.0	19.4	18.00	14.75
YCG24B21S	TPLC100C16MP13C	21.0	CF/CM/CU30D	875	24.0	19.4	18.00	14.75
YCG24B21S	TPLC100C16MP13C	21.0	CF/CM/CU36C	875	24.0	19.5	18.25	14.75
YCG24B21S	TPLC100C16MP13C	21.0	CF/CM/CU36D	875	24.0	19.5	18.25	14.75
YCG24B21S	TPLC100C16MP13C	21.0	CF/CM/CU42C	875	24.0	19.4	18.25	15.00
YCG24B21S	TPLC100C16MP13C	21.0	CF/CM/CU42D	875	24.0	19.4	18.25	15.00
YCG24B21S	TPLC100C16MP13C	21.0	XAFC30C	875	24.0	19.8	18.00	14.75
YCG24B21S	TPLC100C16MP13C	21.0	XAHC30C	875	24.0	19.8	18.00	14.75
YCG24B21S	YP9C060B12MP13C	17.5	CF/CM/CU24B	700	23.6	17.8	17.25	14.00
YCG24B21S	YP9C060B12MP13C	17.5	CF/CM/CU30B	700	24.0	17.9	17.25	14.00
YCG24B21S	YP9C060B12MP13C	17.5	CF/CM/CU36B	700	24.0	17.7	17.75	14.50
YCG24B21S	YP9C060B12MP13C	17.5	CF/CM/CU36C	700	24.0	17.7	17.75	14.50
YCG24B21S	YP9C060B12MP13C	17.5	CF/CM/CU42C	700	24.0	17.8	17.75	14.50
YCG24B21S	YP9C060B12MP13C	17.5	CF/CM24C	775	24.0	18.6	17.25	14.00
YCG24B21S	YP9C060B12MP13C	17.5	CF/CM30C	700	24.0	17.9	17.25	14.00
YCG24B21S	YP9C060B12MP13C	17.5	CF42B	700	24.0	17.8	17.75	14.50
YCG24B21S	YP9C060B12MP13C	17.5	XAF/XAUB30C	700	24.0	17.6	17.25	14.00

COOLING CAPACITY - With High Efficiency Motor Furnaces¹ (Continued)

UNIT MODEL	FURNACE		COIL MODEL ²	COOLING				
	MODEL	WIDTH		RATED CFM	NET MBH		SEER	EER
					TOTAL	SENS.		
YCG24B21S	YP9C060B12MP13C	17.5	XAFB24B	700	23.6	17.2	17.00	14.00
YCG24B21S	YP9C060B12MP13C	21.0	XAFC30C	700	23.8	17.6	17.25	14.00
YCG24B21S	YP9C060B12MP13C	17.5	XAHB24B	700	23.6	17.2	16.75	13.75
YCG24B21S	YP9C060B12MP13C	17.5	XAHB30C	650	24.0	17.0	17.25	14.00
YCG24B21S	YP9C060B12MP13C	21.0	XAHC30C	700	23.8	17.6	17.25	14.00
YCG24B21S	YP9C080B12MP13C	17.5	CF/CM/CU24B	800	24.0	18.9	17.50	14.25
YCG24B21S	YP9C080B12MP13C	17.5	CF/CM/CU30B	800	24.0	18.8	17.25	14.25
YCG24B21S	YP9C080B12MP13C	17.5	CF/CM/CU36B	800	24.0	18.8	18.50	15.00
YCG24B21S	YP9C080B12MP13C	17.5	CF42B	800	24.0	18.7	18.00	14.50
YCG24B21S	YP9C080B12MP13C	17.5	XAF/XAUB30C	675	24.0	17.3	17.25	14.00
YCG24B21S	YP9C080B12MP13C	17.5	XAFB24B	750	24.0	17.7	17.00	14.00
YCG24B21S	YP9C080B12MP13C	21.0	XAFC30C	675	23.8	17.3	17.75	14.50
YCG24B21S	YP9C080B12MP13C	17.5	XAHB24B	750	24.0	17.7	17.00	14.00
YCG24B21S	YP9C080B12MP13C	17.5	XAHB30C	750	24.0	18.4	17.25	14.00
YCG24B21S	YP9C080B12MP13C	21.0	XAHC30C	750	23.8	18.4	17.50	14.25
YCG24B21S	YP9C080C16MP13C	21.0	CF/CM/CU36C	950	24.0	20.2	18.00	14.50
YCG24B21S	YP9C080C16MP13C	21.0	CF/CM/CU42C	950	24.0	20.2	18.00	14.50
YCG24B21S	YP9C080C16MP13C	21.0	CF/CM30C	950	24.0	20.2	17.75	14.50
YCG24B21S	YP9C080C16MP13C	21.0	CF/CM36D	950	24.0	20.2	18.00	14.50
YCG24B21S	YP9C080C16MP13C	21.0	CF/CM42D	950	24.0	20.2	18.00	14.50
YCG24B21S	YP9C080C16MP13C	21.0	XAFC30C	950	24.0	20.6	17.50	14.25
YCG24B21S	YP9C080C16MP13C	21.0	XAHC30C	950	24.0	20.6	17.50	14.25
YCG24B21S	YP9C100C16MP13C	21.0	CF/CM/CU30C	900	24.0	20.0	18.00	14.50
YCG24B21S	YP9C100C16MP13C	21.0	CF/CM/CU30D	900	24.0	20.0	18.00	14.50
YCG24B21S	YP9C100C16MP13C	21.0	CF/CM/CU36C	900	24.0	19.8	18.00	14.50
YCG24B21S	YP9C100C16MP13C	21.0	CF/CM/CU36D	900	24.0	19.8	18.25	14.75
YCG24B21S	YP9C100C16MP13C	21.0	CF/CM/CU42C	900	24.0	19.7	18.25	14.75
YCG24B21S	YP9C100C16MP13C	21.0	CF/CM/CU42D	900	24.0	19.7	18.50	14.75
YCG24B21S	YP9C100C16MP13C	21.0	XAFC30C	900	24.0	20.0	18.00	14.50
YCG24B21S	YP9C100C16MP13C	21.0	XAHC30C	900	24.0	20.2	18.00	14.50
YCG24B21S	YPLC060A12MP13C	14.5	CF/CM/CU24A	800	24.0	18.9	16.75	13.75
YCG24B21S	YPLC060A12MP13C	14.5	CF/CM/CU30A	800	24.0	18.8	17.00	14.00
YCG24B21S	YPLC060A12MP13C	14.5	CF/CM36A	800	24.0	18.8	17.25	14.25
YCG24B21S	YPLC060A12MP13C	14.5	XAF/XAUA24B	625	23.2	16.2	16.75	13.75
YCG24B21S	YPLC060A12MP13C	17.5	XAF/XAUB30C	700	23.8	17.7	17.75	14.50
YCG24B21S	YPLC060A12MP13C	17.5	XAFB24B	700	23.6	17.1	17.25	14.00
YCG24B21S	YPLC060A12MP13C	14.5	XAHA24B	625	23.2	16.2	16.75	13.75
YCG24B21S	YPLC060A12MP13C	17.5	XAHB24B	725	23.6	17.3	17.00	14.00
YCG24B21S	YPLC060A12MP13C	17.5	XAHB30C	625	23.8	16.7	17.75	14.50
YCG24B21S	YPLC080B12MP13C	17.5	CF/CM/CU24B	825	24.0	19.2	17.00	13.75
YCG24B21S	YPLC080B12MP13C	17.5	CF/CM/CU30B	825	24.0	19.2	17.00	14.00
YCG24B21S	YPLC080B12MP13C	17.5	CF/CM/CU36B	825	24.0	19.1	17.50	14.25
YCG24B21S	YPLC080B12MP13C	17.5	CF42B	825	24.0	19.0	17.50	14.25
YCG24B21S	YPLC080B12MP13C	17.5	XAF/XAUB30C	675	24.0	17.4	17.00	14.00
YCG24B21S	YPLC080B12MP13C	17.5	XAFB24B	675	23.6	16.8	16.75	13.75
YCG24B21S	YPLC080B12MP13C	21.0	XAFC30C	625	23.8	16.6	17.50	14.25
YCG24B21S	YPLC080B12MP13C	17.5	XAHB24B	625	23.4	16.3	16.75	13.75
YCG24B21S	YPLC080B12MP13C	17.5	XAHB30C	625	24.0	16.6	17.00	14.00
YCG24B21S	YPLC080B12MP13C	21.0	XAHC30C	675	23.8	17.4	17.50	14.25
YCG24B21S	YPLC080C16MP13C	21.0	CF/CM/CU30C	875	24.0	19.4	18.00	14.75
YCG24B21S	YPLC080C16MP13C	21.0	CF/CM/CU30D	875	24.0	19.4	18.00	14.75
YCG24B21S	YPLC080C16MP13C	21.0	CF/CM/CU36C	875	24.0	19.5	18.25	14.75
YCG24B21S	YPLC080C16MP13C	21.0	CF/CM/CU36D	875	24.0	19.5	18.25	14.75
YCG24B21S	YPLC080C16MP13C	21.0	CF/CM/CU42C	875	24.0	19.4	18.25	15.00
YCG24B21S	YPLC080C16MP13C	21.0	CF/CM/CU42D	875	24.0	19.4	18.25	15.00
YCG24B21S	YPLC080C16MP13C	21.0	XAFC30C	875	24.0	19.8	18.00	14.75
YCG24B21S	YPLC080C16MP13C	21.0	XAHC30C	875	24.0	19.8	18.00	14.75
YCG24B21S	YPLC100C16MP13C	21.0	CF/CM/CU30C	875	24.0	19.4	18.00	14.75
YCG24B21S	YPLC100C16MP13C	21.0	CF/CM/CU30D	875	24.0	19.4	18.00	14.75
YCG24B21S	YPLC100C16MP13C	21.0	CF/CM/CU36C	875	24.0	19.5	18.25	14.75
YCG24B21S	YPLC100C16MP13C	21.0	CF/CM/CU36D	875	24.0	19.5	18.25	14.75
YCG24B21S	YPLC100C16MP13C	21.0	CF/CM/CU42C	875	24.0	19.4	18.25	15.00
YCG24B21S	YPLC100C16MP13C	21.0	CF/CM/CU42D	875	24.0	19.4	18.25	15.00
YCG24B21S	YPLC100C16MP13C	21.0	XAFC30C	875	24.0	19.8	18.00	14.75

COOLING CAPACITY - With High Efficiency Motor Furnaces¹ (Continued)

UNIT MODEL	FURNACE		COIL MODEL ²	COOLING				
	MODEL	WIDTH		RATED CFM	NET MBH		SEER	EER
					TOTAL	SENS.		
YCG24B21S	YPLC100C16MP13C	21.0	XAHC30C	875	24.0	19.8	18.00	14.75
YCG30B21S	TL8E060A12UH11	14.5	CF/CM/CU30B	850	28.2	21.0	16.75	13.75
YCG30B21S	TL8E060A12UH11	14.5	CF/CM/CU36B	850	28.2	21.8	16.75	13.75
YCG30B21S	TL8E060A12UH11	14.5	CF/CM/CU36C	875	28.4	21.8	17.00	14.00
YCG30B21S	TL8E060A12UH11	14.5	CF/CM/CU42C	875	28.8	21.6	17.25	14.00
YCG30B21S	TL8E060A12UH11	14.5	CF/CM30C	875	28.4	21.6	16.75	14.00
YCG30B21S	TL8E060A12UH11	14.5	CF/CM36A	825	28.0	21.1	16.50	13.50
YCG30B21S	TL8E060A12UH11	14.5	CF42B	850	28.6	21.4	17.00	14.00
YCG30B21S	TL8E060A12UH11	17.5	XAF/XAUB30C	1050	28.8	22.2	16.25	13.50
YCG30B21S	TL8E060A12UH11	17.5	XAF/XAUB36D	1025	29.0	21.8	16.25	13.50
YCG30B21S	TL8E060A12UH11	14.5	XAFA30D	975	28.0	21.2	15.50	12.75
YCG30B21S	TL8E060A12UH11	17.5	XAFB36E	825	28.4	20.0	16.75	14.00
YCG30B21S	TL8E060A12UH11	17.5	XAHB30C	1025	28.6	22.0	16.00	13.50
YCG30B21S	TL8E060A12UH11	17.5	XAHB36D	975	28.6	21.2	16.00	13.50
YCG30B21S	TL8E060A12UH11	21.0	XAHC42E	825	28.4	20.0	17.00	14.00
YCG30B21S	TL8E080C16UH11	21.0	CF/CM/CU36C	950	28.8	22.8	17.25	14.00
YCG30B21S	TL8E080C16UH11	21.0	CF/CM/CU42C	950	29.2	22.6	17.25	14.00
YCG30B21S	TL8E080C16UH11	21.0	CF/CM30C	925	28.6	22.0	17.00	14.00
YCG30B21S	TL8E080C16UH11	21.0	CF/CM36D	950	28.8	22.8	17.25	14.00
YCG30B21S	TL8E080C16UH11	21.0	CF/CM42D	950	29.2	22.6	17.25	14.00
YCG30B21S	TL8E080C16UH11	21.0	XAF/XAUC42E	900	29.0	20.8	17.25	14.00
YCG30B21S	TL8E080C16UH11	21.0	XAFC30C	900	28.6	20.8	17.00	14.00
YCG30B21S	TL8E080C16UH11	21.0	XAFC36D	900	28.8	20.6	17.00	14.00
YCG30B21S	TL8E080C16UH11	24.5	XAFD42E	900	28.8	20.6	17.25	14.00
YCG30B21S	TL8E080C16UH11	21.0	XAHC30C	900	28.6	20.8	17.00	14.00
YCG30B21S	TL8E080C16UH11	21.0	XAHC36D	875	28.8	20.4	17.00	14.00
YCG30B21S	TL8E080C16UH11	21.0	XAHC42E	875	28.8	20.4	17.00	14.00
YCG30B21S	TL8E080C16UH11	24.5	XAHD42E	875	28.6	20.4	17.00	14.00
YCG30B21S	TL8E100C20UH11	21.0	CF/CM/CU36C	1050	29.2	24.0	17.50	14.00
YCG30B21S	TL8E100C20UH11	21.0	CF/CM/CU42C	1050	29.6	24.0	17.50	14.00
YCG30B21S	TL8E100C20UH11	21.0	CF/CM30C	1050	29.2	23.6	17.25	14.00
YCG30B21S	TL8E100C20UH11	21.0	CF/CM36D	1050	29.2	24.0	17.50	14.00
YCG30B21S	TL8E100C20UH11	21.0	CF/CM42D	1050	29.8	24.2	17.50	14.00
YCG30B21S	TL8E100C20UH11	21.0	XAF/XAUC42E	1000	29.4	21.6	17.25	14.00
YCG30B21S	TL8E100C20UH11	21.0	XAFC30C	1025	29.0	22.0	17.00	14.00
YCG30B21S	TL8E100C20UH11	21.0	XAFC36D	1000	29.2	21.6	17.25	14.00
YCG30B21S	TL8E100C20UH11	24.5	XAFD42E	1000	29.2	21.6	17.25	14.00
YCG30B21S	TL8E100C20UH11	21.0	XAHC30C	1000	29.0	21.8	17.00	14.00
YCG30B21S	TL8E100C20UH11	21.0	XAHC36D	975	29.2	21.4	17.25	14.00
YCG30B21S	TL8E100C20UH11	21.0	XAHC42E	975	29.4	21.6	17.25	14.00
YCG30B21S	TL8E100C20UH11	24.5	XAHD42E	975	29.2	21.4	17.25	14.00
YCG30B21S	TL9E060B12UH11	17.5	CF/CM/CU30B	850	28.2	21.0	16.50	13.75
YCG30B21S	TL9E060B12UH11	17.5	CF/CM/CU36B	850	28.0	21.6	16.50	13.50
YCG30B21S	TL9E060B12UH11	17.5	CF/CM/CU36C	875	28.4	21.8	16.50	13.75
YCG30B21S	TL9E060B12UH11	17.5	CF/CM/CU42C	875	28.8	21.6	16.75	14.00
YCG30B21S	TL9E060B12UH11	17.5	CF/CM30C	850	28.2	21.0	16.50	13.75
YCG30B21S	TL9E060B12UH11	17.5	CF42B	850	28.6	21.4	16.50	13.75
YCG30B21S	TL9E060B12UH11	17.5	XAF/XAUB30C	1025	28.8	22.2	15.75	13.00
YCG30B21S	TL9E060B12UH11	17.5	XAF/XAUB36D	1000	28.8	21.6	15.75	13.00
YCG30B21S	TL9E060B12UH11	21.0	XAF/XAUC42E	1025	29.0	22.0	16.00	13.25
YCG30B21S	TL9E060B12UH11	17.5	XAFB36E	1000	29.0	21.6	16.00	13.25
YCG30B21S	TL9E060B12UH11	21.0	XAFC30C	1025	28.4	22.2	15.75	13.00
YCG30B21S	TL9E060B12UH11	21.0	XAFC36D	1025	28.8	21.8	16.00	13.25
YCG30B21S	TL9E060B12UH11	17.5	XAHB30C	1000	28.6	21.8	15.50	12.75
YCG30B21S	TL9E060B12UH11	17.5	XAHB36D	975	28.8	21.4	15.75	13.00
YCG30B21S	TL9E060B12UH11	21.0	XAHC30C	1025	28.4	22.2	15.75	13.00
YCG30B21S	TL9E060B12UH11	21.0	XAHC36D	1000	28.8	21.6	15.75	13.00
YCG30B21S	TL9E060B12UH11	21.0	XAHC42E	1000	28.8	21.6	16.00	13.25
YCG30B21S	TL9E080C16UH11	21.0	CF/CM/CU36C	900	28.6	22.4	17.25	14.00
YCG30B21S	TL9E080C16UH11	21.0	CF/CM/CU42C	900	29.0	22.0	17.25	14.00
YCG30B21S	TL9E080C16UH11	21.0	CF/CM30C	900	28.6	22.2	17.00	14.00
YCG30B21S	TL9E080C16UH11	21.0	CF/CM36D	900	28.6	22.4	17.25	14.00
YCG30B21S	TL9E080C16UH11	21.0	CF/CM42D	900	29.0	22.0	17.25	14.00
YCG30B21S	TL9E080C16UH11	21.0	XAF/XAUC42E	850	28.8	20.2	17.00	14.00

COOLING CAPACITY - With High Efficiency Motor Furnaces¹ (Continued)

UNIT MODEL	FURNACE		COIL MODEL ²	COOLING				
	MODEL	WIDTH		RATED CFM	NET MBH		SEER	EER
					TOTAL	SENS.		
YCG30B21S	TL9E080C16UH11	21.0	XAFC30C	875	28.6	20.6	17.00	14.00
YCG30B21S	TL9E080C16UH11	21.0	XAFC36D	850	28.6	20.0	17.00	14.00
YCG30B21S	TL9E080C16UH11	24.5	XAFD42E	875	28.6	20.4	17.25	14.00
YCG30B21S	TL9E080C16UH11	21.0	XAHC30C	1050	28.8	22.2	16.50	13.75
YCG30B21S	TL9E080C16UH11	21.0	XAHC36D	850	28.6	20.0	17.00	14.00
YCG30B21S	TL9E080C16UH11	21.0	XAHC42E	850	28.8	20.2	17.00	14.00
YCG30B21S	TL9E080C16UH11	24.5	XAHD42E	850	28.6	20.2	17.00	14.00
YCG30B21S	TL9E100C20UH11	21.0	CF/CM/CU36C	1125	29.6	24.6	17.25	14.00
YCG30B21S	TL9E100C20UH11	21.0	CF/CM/CU42C	1125	30.0	24.6	17.25	14.00
YCG30B21S	TL9E100C20UH11	21.0	CF/CM30C	1125	29.4	24.6	17.00	14.00
YCG30B21S	TL9E100C20UH11	21.0	CF/CM36D	1150	29.8	25.0	17.25	14.00
YCG30B21S	TL9E100C20UH11	21.0	CF/CM42D	1150	30.0	25.2	17.50	14.00
YCG30B21S	TL9E100C20UH11	21.0	XAF/XAUC42E	1075	29.6	22.4	17.00	14.00
YCG30B21S	TL9E100C20UH11	21.0	XAFC30C	1100	29.2	22.6	16.75	14.00
YCG30B21S	TL9E100C20UH11	21.0	XAFC36D	1075	29.6	22.4	17.00	14.00
YCG30B21S	TL9E100C20UH11	24.5	XAFD42E	1100	29.6	22.8	17.25	14.00
YCG30B21S	TL9E100C20UH11	21.0	XAHC30C	1075	29.2	22.4	16.75	14.00
YCG30B21S	TL9E100C20UH11	21.0	XAHC36D	1050	29.4	22.0	17.00	14.00
YCG30B21S	TL9E100C20UH11	21.0	XAHC42E	1050	29.6	22.2	17.00	14.00
YCG30B21S	TL9E100C20UH11	24.5	XAHD42E	1075	29.4	22.4	17.00	14.00
YCG30B21S	TM8E040A12MP11	14.5	CF/CM/CU30B	875	27.6	21.0	16.75	13.75
YCG30B21S	TM8E040A12MP11	14.5	CF/CM/CU36B	875	28.4	21.8	16.75	13.75
YCG30B21S	TM8E040A12MP11	14.5	CF/CM36A	825	28.0	21.1	16.50	13.50
YCG30B21S	TM8E040A12MP11	14.5	CF42B	850	28.6	21.4	16.75	13.75
YCG30B21S	TM8E040A12MP11	17.5	XAF/XAUB30C	1025	28.4	22.2	16.50	13.75
YCG30B21S	TM8E040A12MP11	17.5	XAF/XAUB36D	850	28.4	20.0	16.75	13.75
YCG30B21S	TM8E040A12MP11	14.5	XAFA30D	975	28.0	21.4	15.75	12.75
YCG30B21S	TM8E040A12MP11	17.5	XAFB36E	825	28.4	19.9	16.75	13.75
YCG30B21S	TM8E040A12MP11	17.5	XAHB30C	1000	28.4	21.8	16.25	13.50
YCG30B21S	TM8E040A12MP11	17.5	XAHB36D	975	28.8	21.4	16.25	13.50
YCG30B21S	TM8E040A12MP11	21.0	XAHC42E	825	28.4	19.9	17.00	14.25
YCG30B21S	TM8E060A12MP11	14.5	CF/CM/CU30B	800	27.6	20.6	16.75	13.75
YCG30B21S	TM8E060A12MP11	14.5	CF/CM/CU36B	800	28.0	20.8	16.75	13.75
YCG30B21S	TM8E060A12MP11	14.5	CF/CM36A	825	28.0	21.1	16.50	13.50
YCG30B21S	TM8E060A12MP11	14.5	CF42B	800	28.4	21.0	17.00	14.00
YCG30B21S	TM8E060A12MP11	17.5	XAF/XAUB30C	1025	28.4	22.2	16.50	13.75
YCG30B21S	TM8E060A12MP11	17.5	XAF/XAUB36D	850	28.2	20.0	16.75	13.75
YCG30B21S	TM8E060A12MP11	14.5	XAFA30D	950	28.0	21.0	15.75	12.75
YCG30B21S	TM8E060A12MP11	17.5	XAFB36E	850	28.4	20.2	17.00	14.00
YCG30B21S	TM8E060A12MP11	17.5	XAHB30C	1000	28.4	21.8	16.25	13.50
YCG30B21S	TM8E060A12MP11	17.5	XAHB36D	975	28.8	21.4	16.25	13.50
YCG30B21S	TM8E060A12MP11	21.0	XAHC42E	850	28.6	20.2	17.00	14.25
YCG30B21S	TM8E080B12MP11	17.5	CF/CM/CU30B	900	28.0	21.8	16.25	13.50
YCG30B21S	TM8E080B12MP11	17.5	CF/CM/CU36B	875	28.4	21.8	16.75	13.75
YCG30B21S	TM8E080B12MP11	17.5	CF/CM/CU36C	900	28.4	22.2	16.75	13.75
YCG30B21S	TM8E080B12MP11	17.5	CF/CM/CU42C	900	29.0	22.0	17.00	14.00
YCG30B21S	TM8E080B12MP11	17.5	CF/CM30C	900	28.0	21.8	16.25	13.50
YCG30B21S	TM8E080B12MP11	17.5	CF42B	875	28.8	21.6	17.00	14.00
YCG30B21S	TM8E080B12MP11	17.5	XAF/XAUB30C	900	28.6	20.8	16.25	13.50
YCG30B21S	TM8E080B12MP11	17.5	XAF/XAUB36D	875	28.8	20.4	16.75	13.75
YCG30B21S	TM8E080B12MP11	21.0	XAF/XAUC42E	875	28.6	20.4	17.00	14.00
YCG30B21S	TM8E080B12MP11	17.5	XAFB36E	850	28.6	20.2	16.75	14.00
YCG30B21S	TM8E080B12MP11	21.0	XAFC30C	900	28.4	20.8	16.25	13.50
YCG30B21S	TM8E080B12MP11	21.0	XAFC36D	875	28.4	20.4	16.75	13.75
YCG30B21S	TM8E080B12MP11	17.5	XAHB30C	1000	28.8	21.8	16.25	13.50
YCG30B21S	TM8E080B12MP11	17.5	XAHB36D	850	28.4	20.2	16.75	13.75
YCG30B21S	TM8E080B12MP11	21.0	XAHC30C	1025	28.8	22.2	16.25	13.50
YCG30B21S	TM8E080B12MP11	21.0	XAHC36D	875	28.4	20.4	16.75	13.75
YCG30B21S	TM8E080B12MP11	21.0	XAHC42E	850	28.4	20.2	16.75	14.00
YCG30B21S	TM8E080C16MP11	21.0	CF/CM/CU36C	800	28.2	21.0	17.25	14.00
YCG30B21S	TM8E080C16MP11	21.0	CF/CM/CU42C	800	28.4	20.8	17.25	14.00
YCG30B21S	TM8E080C16MP11	21.0	CF/CM30C	950	28.4	22.4	17.00	14.00
YCG30B21S	TM8E080C16MP11	21.0	CF/CM36D	1125	29.0	24.2	17.25	14.00
YCG30B21S	TM8E080C16MP11	21.0	CF/CM42D	1125	29.0	23.8	17.25	14.00

COOLING CAPACITY - With High Efficiency Motor Furnaces¹ (Continued)

UNIT MODEL	FURNACE		COIL MODEL ²	COOLING				
	MODEL	WIDTH		RATED CFM	NET MBH		SEER	EER
					TOTAL	SENS.		
YCG30B21S	TM8E080C16MP11	21.0	XAF/XAUC42E	900	29.0	20.8	17.25	14.00
YCG30B21S	TM8E080C16MP11	21.0	XAFC30C	925	28.4	21.0	17.00	14.00
YCG30B21S	TM8E080C16MP11	21.0	XAFC36D	900	28.8	20.6	17.00	14.00
YCG30B21S	TM8E080C16MP11	24.5	XAFD42E	900	28.6	20.6	17.25	14.00
YCG30B21S	TM8E080C16MP11	21.0	XAHC30C	900	28.4	20.8	17.00	14.00
YCG30B21S	TM8E080C16MP11	21.0	XAHC36D	875	28.4	20.4	17.00	14.00
YCG30B21S	TM8E080C16MP11	21.0	XAHC42E	875	28.6	20.4	17.00	14.00
YCG30B21S	TM8E080C16MP11	24.5	XAHD42E	900	28.6	20.8	17.25	14.00
YCG30B21S	TM8E080C20MP11	21.0	XAF/XAUC42E	1200	29.6	23.6	16.75	14.00
YCG30B21S	TM8E080C20MP11	21.0	XAFC36D	1200	29.6	23.4	16.75	14.00
YCG30B21S	TM8E080C20MP11	21.0	XAHC30C	1200	29.2	23.6	16.50	13.75
YCG30B21S	TM8E080C20MP11	21.0	XAHC36D	1175	29.6	23.2	16.75	14.00
YCG30B21S	TM8E080C20MP11	21.0	XAHC42E	1175	29.6	23.4	16.75	14.00
YCG30B21S	TM8E080C20MP11	24.5	XAHD42E	1200	29.6	23.6	16.75	14.00
YCG30B21S	TM8E100B12MP11	17.5	CF/CM/CU30B	825	27.6	20.8	16.75	13.75
YCG30B21S	TM8E100B12MP11	17.5	CF/CM/CU36B	825	28.2	21.2	17.00	14.00
YCG30B21S	TM8E100B12MP11	17.5	CF/CM/CU36C	925	28.6	22.4	16.75	13.75
YCG30B21S	TM8E100B12MP11	17.5	CF/CM/CU42C	850	28.8	21.4	17.00	14.00
YCG30B21S	TM8E100B12MP11	17.5	CF/CM30C	825	27.6	20.8	16.75	13.75
YCG30B21S	TM8E100B12MP11	17.5	CF42B	800	28.4	21.0	17.00	14.00
YCG30B21S	TM8E100B12MP11	17.5	XAF/XAUB30C	900	27.8	20.8	16.75	13.75
YCG30B21S	TM8E100B12MP11	17.5	XAF/XAUB36D	875	28.4	20.4	16.75	14.00
YCG30B21S	TM8E100B12MP11	21.0	XAF/XAUC42E	875	28.6	20.4	17.00	14.00
YCG30B21S	TM8E100B12MP11	17.5	XAFB36E	875	28.6	20.4	16.75	14.00
YCG30B21S	TM8E100B12MP11	21.0	XAFC30C	900	27.8	20.8	16.75	13.75
YCG30B21S	TM8E100B12MP11	21.0	XAFC36D	875	28.6	20.4	16.75	13.75
YCG30B21S	TM8E100B12MP11	17.5	XAHC30C	1050	28.4	22.2	16.00	13.50
YCG30B21S	TM8E100B12MP11	17.5	XAHB36D	850	28.4	20.2	16.75	13.75
YCG30B21S	TM8E100B12MP11	21.0	XAHC30C	900	27.8	20.8	16.75	13.75
YCG30B21S	TM8E100B12MP11	21.0	XAHC36D	875	28.6	20.4	16.75	13.75
YCG30B21S	TM8E100B12MP11	21.0	XAHC42E	875	28.6	20.4	17.00	14.00
YCG30B21S	TM8E100C16MP11	21.0	CF/CM/CU36C	925	28.8	22.4	17.25	14.00
YCG30B21S	TM8E100C16MP11	21.0	CF/CM/CU42C	925	29.2	22.6	17.25	14.00
YCG30B21S	TM8E100C16MP11	21.0	CF/CM30C	925	28.4	21.8	17.00	14.00
YCG30B21S	TM8E100C16MP11	21.0	CF/CM36D	950	28.8	22.8	17.00	14.00
YCG30B21S	TM8E100C16MP11	21.0	CF/CM42D	950	29.2	22.6	17.25	14.00
YCG30B21S	TM8E100C16MP11	21.0	XAF/XAUC42E	875	28.8	20.4	17.00	14.00
YCG30B21S	TM8E100C16MP11	21.0	XAFC30C	900	28.4	20.8	17.00	14.00
YCG30B21S	TM8E100C16MP11	21.0	XAFC36D	875	28.8	20.4	17.00	14.00
YCG30B21S	TM8E100C16MP11	24.5	XAFD42E	900	28.8	20.6	17.25	14.00
YCG30B21S	TM8E100C16MP11	21.0	XAHC30C	900	28.4	20.8	17.00	14.00
YCG30B21S	TM8E100C16MP11	21.0	XAHC36D	875	28.8	20.4	17.00	14.00
YCG30B21S	TM8E100C16MP11	21.0	XAHC42E	875	28.8	20.4	17.00	14.00
YCG30B21S	TM8E100C16MP11	24.5	XAHD42E	875	28.6	20.4	17.00	14.00
YCG30B21S	TM8E100C20MP11	21.0	XAF/XAUC42E	1200	29.6	23.6	16.75	14.00
YCG30B21S	TM8E100C20MP11	21.0	XAFC36D	1200	29.6	23.4	16.75	14.00
YCG30B21S	TM8E100C20MP11	21.0	XAHC30C	1200	29.2	23.6	16.50	13.75
YCG30B21S	TM8E100C20MP11	21.0	XAHC36D	1175	29.6	23.2	16.75	13.75
YCG30B21S	TM8E100C20MP11	21.0	XAHC42E	1175	29.6	23.4	16.75	14.00
YCG30B21S	TM8E100C20MP11	24.5	XAHD42E	1200	29.6	23.6	16.75	14.00
YCG30B21S	TM8E120C16MP11	21.0	CF/CM/CU36C	950	28.8	22.8	17.25	14.00
YCG30B21S	TM8E120C16MP11	21.0	CF/CM/CU42C	950	29.2	22.6	17.25	14.00
YCG30B21S	TM8E120C16MP11	21.0	CF/CM30C	950	28.4	22.4	17.00	14.00
YCG30B21S	TM8E120C16MP11	21.0	CF/CM36D	800	28.2	21.0	17.25	14.00
YCG30B21S	TM8E120C16MP11	21.0	CF/CM42D	800	28.6	21.0	17.25	14.00
YCG30B21S	TM8E120C16MP11	21.0	XAF/XAUC42E	900	29.0	20.6	17.25	14.00
YCG30B21S	TM8E120C16MP11	21.0	XAFC30C	925	28.4	21.0	17.00	14.00
YCG30B21S	TM8E120C16MP11	21.0	XAFC36D	900	28.8	20.6	17.25	14.00
YCG30B21S	TM8E120C16MP11	24.5	XAFD42E	900	28.8	20.6	17.25	14.00
YCG30B21S	TM8E120C16MP11	21.0	XAHC30C	900	28.4	20.8	17.00	14.00
YCG30B21S	TM8E120C16MP11	21.0	XAHC36D	875	28.8	20.4	17.00	14.00
YCG30B21S	TM8E120C16MP11	21.0	XAHC42E	875	28.8	20.4	17.00	14.00
YCG30B21S	TM8E120C16MP11	24.5	XAHD42E	875	28.6	20.4	17.00	14.00
YCG30B21S	TM8V060A12MP12C	14.5	CF/CM/CU30A	875	27.6	21.2	15.50	13.00

COOLING CAPACITY - With High Efficiency Motor Furnaces¹ (Continued)

UNIT MODEL	FURNACE		COIL MODEL ²	COOLING				
	MODEL	WIDTH		RATED CFM	NET MBH		SEER	EER
					TOTAL	SENS.		
YCG30B21S	TM8V060A12MP12C	14.5	CF/CM36A	800	28.0	20.8	16.50	13.50
YCG30B21S	TM8V060A12MP12C	17.5	XAF/XAUB30C	900	28.4	20.8	16.25	13.50
YCG30B21S	TM8V060A12MP12C	17.5	XAF/XAUB36D	875	28.6	20.4	16.75	13.75
YCG30B21S	TM8V060A12MP12C	14.5	XAFA30D	875	28.0	20.4	15.75	12.75
YCG30B21S	TM8V060A12MP12C	17.5	XAFB36E	875	28.6	20.4	16.75	13.75
YCG30B21S	TM8V060A12MP12C	17.5	XAHB30C	975	28.4	21.4	16.00	13.50
YCG30B21S	TM8V060A12MP12C	17.5	XAHB36D	875	28.4	20.4	16.25	13.50
YCG30B21S	TM8V060A12MP12C	21.0	XAHC42E	875	28.6	20.4	17.00	14.00
YCG30B21S	TM8V080B12MP12C	17.5	CF/CM/CU30B	900	27.8	21.6	16.00	13.25
YCG30B21S	TM8V080B12MP12C	17.5	CF/CM/CU36B	900	27.8	21.6	16.25	13.50
YCG30B21S	TM8V080B12MP12C	17.5	CF42B	900	28.2	21.4	16.50	13.75
YCG30B21S	TM8V080B12MP12C	17.5	XAF/XAUB30C	1000	28.6	21.8	15.75	13.00
YCG30B21S	TM8V080B12MP12C	17.5	XAF/XAUB36D	900	28.6	20.6	16.25	13.50
YCG30B21S	TM8V080B12MP12C	21.0	XAF/XAUC42E	900	28.6	20.8	16.25	13.50
YCG30B21S	TM8V080B12MP12C	17.5	XAFB36E	900	28.8	20.8	16.25	13.50
YCG30B21S	TM8V080B12MP12C	21.0	XAFC30C	1000	28.4	21.8	15.50	13.00
YCG30B21S	TM8V080B12MP12C	21.0	XAFC36D	900	28.4	20.6	16.25	13.50
YCG30B21S	TM8V080B12MP12C	17.5	XAHB30C	1000	28.6	21.8	15.50	13.00
YCG30B21S	TM8V080B12MP12C	17.5	XAHB36D	900	28.6	20.6	16.00	13.25
YCG30B21S	TM8V080B12MP12C	21.0	XAHC30C	1000	28.4	21.8	15.50	12.75
YCG30B21S	TM8V080B12MP12C	21.0	XAHC36D	900	28.4	20.6	16.25	13.50
YCG30B21S	TM8V080B12MP12C	21.0	XAHC42E	900	28.6	20.8	16.25	13.50
YCG30B21S	TM8V080C16MP11C	21.0	CF/CM/CU30C	950	28.4	20.4	16.50	13.75
YCG30B21S	TM8V080C16MP12C	21.0	CF/CM/CU30C	950	28.4	22.4	16.50	13.75
YCG30B21S	TM8V080C16MP12C	21.0	CF/CM/CU30D	950	28.4	22.4	17.00	14.00
YCG30B21S	TM8V080C16MP12C	21.0	CF/CM/CU36C	1050	29.0	24.0	17.00	14.00
YCG30B21S	TM8V080C16MP12C	21.0	CF/CM/CU36D	1050	29.0	24.0	17.25	14.25
YCG30B21S	TM8V080C16MP12C	21.0	CF/CM/CU42C	1050	29.4	23.8	17.00	14.25
YCG30B21S	TM8V080C16MP12C	21.0	CF/CM/CU42D	1050	29.4	23.8	17.25	14.25
YCG30B21S	TM8V080C16MP12C	21.0	XAF/XAUC42E	875	28.8	20.4	17.00	14.00
YCG30B21S	TM8V080C16MP12C	21.0	XAFC30C	875	28.4	20.6	16.50	13.75
YCG30B21S	TM8V080C16MP12C	21.0	XAFC36D	875	28.6	20.4	17.00	14.00
YCG30B21S	TM8V080C16MP12C	24.5	XAFD42E	875	28.6	20.4	17.00	14.00
YCG30B21S	TM8V080C16MP12C	21.0	XAHC30C	950	28.8	21.4	16.50	13.75
YCG30B21S	TM8V080C16MP12C	21.0	XAHC36D	875	28.6	20.4	17.00	14.00
YCG30B21S	TM8V080C16MP12C	21.0	XAHC42E	875	28.8	20.4	17.00	14.00
YCG30B21S	TM8V080C16MP12C	24.5	XAHD42E	875	28.6	20.4	17.00	14.00
YCG30B21S	TM8V100C16MP11C	21.0	CF/CM/CU30C	950	28.4	20.4	16.50	13.75
YCG30B21S	TM8V100C16MP12C	21.0	CF/CM/CU30C	950	28.4	22.4	16.50	13.75
YCG30B21S	TM8V100C16MP12C	21.0	CF/CM/CU30D	950	28.4	22.4	17.00	14.00
YCG30B21S	TM8V100C16MP12C	21.0	CF/CM/CU36C	1050	29.0	24.0	17.00	14.00
YCG30B21S	TM8V100C16MP12C	21.0	CF/CM/CU36D	1050	29.0	24.0	17.25	14.25
YCG30B21S	TM8V100C16MP12C	21.0	CF/CM/CU42C	1050	29.4	23.8	17.00	14.25
YCG30B21S	TM8V100C16MP12C	21.0	CF/CM/CU42D	1050	29.4	23.8	17.25	14.25
YCG30B21S	TM8V100C16MP12C	21.0	XAF/XAUC42E	875	28.8	20.4	17.00	14.00
YCG30B21S	TM8V100C16MP12C	21.0	XAFC30C	875	28.4	20.6	16.50	13.75
YCG30B21S	TM8V100C16MP12C	21.0	XAFC36D	875	28.6	20.4	17.00	14.00
YCG30B21S	TM8V100C16MP12C	24.5	XAFD42E	875	28.6	20.4	17.00	14.00
YCG30B21S	TM8V100C16MP12C	21.0	XAHC30C	950	28.8	21.4	16.50	13.75
YCG30B21S	TM8V100C16MP12C	21.0	XAHC36D	875	28.6	20.4	17.00	14.00
YCG30B21S	TM8V100C16MP12C	21.0	XAHC42E	875	28.8	20.4	17.00	14.00
YCG30B21S	TM8V100C16MP12C	24.5	XAHD42E	875	28.6	20.4	17.00	14.00
YCG30B21S	TM8V100C20MP12C	21.0	XAF/XAUC42E	1150	29.6	23.2	17.00	14.00
YCG30B21S	TM8V100C20MP12C	21.0	XAFC30C	1150	29.2	23.2	16.75	14.00
YCG30B21S	TM8V100C20MP12C	21.0	XAFC36D	1150	29.6	23.0	16.75	14.00
YCG30B21S	TM8V100C20MP12C	24.5	XAFD42E	1150	29.6	23.2	17.00	14.00
YCG30B21S	TM8V100C20MP12C	21.0	XAHC30C	1150	29.2	23.2	16.50	13.75
YCG30B21S	TM8V100C20MP12C	21.0	XAHC36D	1125	29.4	22.8	16.75	14.00
YCG30B21S	TM8V100C20MP12C	21.0	XAHC42E	1125	29.6	23.0	16.75	14.00
YCG30B21S	TM8V100C20MP12C	24.5	XAHD42E	1125	29.6	23.0	16.75	14.00
YCG30B21S	TM8V120C20MP12C	21.0	XAF/XAUC42E	1150	29.6	23.2	17.00	14.00
YCG30B21S	TM8V120C20MP12C	21.0	XAFC30C	1150	29.2	23.2	16.75	14.00
YCG30B21S	TM8V120C20MP12C	21.0	XAFC36D	1150	29.6	23.0	16.75	14.00
YCG30B21S	TM8V120C20MP12C	24.5	XAFD42E	1150	29.6	23.2	17.00	14.00

COOLING CAPACITY - With High Efficiency Motor Furnaces¹ (Continued)

UNIT MODEL	FURNACE		COIL MODEL ²	COOLING				
	MODEL	WIDTH		RATED CFM	NET MBH		SEER	EER
					TOTAL	SENS.		
YCG30B21S	TM8V120C20MP12C	21.0	XAHC30C	1150	29.2	23.2	16.50	13.75
YCG30B21S	TM8V120C20MP12C	21.0	XAHC36D	1125	29.4	22.8	16.75	14.00
YCG30B21S	TM8V120C20MP12C	21.0	XAHC42E	1125	29.6	23.0	16.75	14.00
YCG30B21S	TM8V120C20MP12C	24.5	XAHD42E	1125	29.6	23.0	16.75	14.00
YCG30B21S	TM8X060A12MP11	14.5	CF/CM/CU30A	875	27.4	21.0	16.00	13.50
YCG30B21S	TM8X060A12MP11	14.5	CF/CM36A	875	27.6	21.4	16.25	13.50
YCG30B21S	TM8X080B12MP11	17.5	CF/CM/CU30B	975	28.4	22.4	16.50	13.50
YCG30B21S	TM8X080B12MP11	17.5	CF/CM/CU36B	975	29.0	23.0	16.50	14.00
YCG30B21S	TM8X080B12MP11	17.5	CF42B	950	28.8	22.4	16.75	14.25
YCG30B21S	TM8X080C16MP11	21.0	CF/CM/CU30C	950	28.4	22.4	16.50	14.00
YCG30B21S	TM8X080C16MP11	21.0	CF/CM/CU30D	975	29.0	23.0	17.00	14.25
YCG30B21S	TM8X080C16MP11	21.0	CF/CM/CU36C	950	28.6	22.6	17.00	14.25
YCG30B21S	TM8X080C16MP11	21.0	CF/CM/CU36D	975	29.2	23.0	17.50	14.25
YCG30B21S	TM8X080C16MP11	21.0	CF/CM/CU42C	950	29.0	22.6	17.50	14.50
YCG30B21S	TM8X080C16MP11	21.0	CF/CM/CU42D	975	29.4	23.2	17.50	14.50
YCG30B21S	TM8X100C16MP11	21.0	CF/CM/CU30C	950	28.4	22.4	16.50	14.00
YCG30B21S	TM8X100C16MP11	21.0	CF/CM/CU30D	975	29.0	23.0	17.00	14.25
YCG30B21S	TM8X100C16MP11	21.0	CF/CM/CU36C	950	28.6	22.6	17.00	14.25
YCG30B21S	TM8X100C16MP11	21.0	CF/CM/CU36D	975	29.2	23.0	17.50	14.25
YCG30B21S	TM8X100C16MP11	21.0	CF/CM/CU42C	950	29.0	22.6	17.50	14.50
YCG30B21S	TM8X100C16MP11	21.0	CF/CM/CU42D	975	29.4	23.2	17.50	14.50
YCG30B21S	TM8X100C20MP11	21.0	CF/CM/CU30C	1000	29.0	23.0	17.00	14.25
YCG30B21S	TM8X100C20MP11	21.0	CF/CM/CU30D	1000	29.0	23.0	17.00	14.25
YCG30B21S	TM8X100C20MP11	21.0	CF/CM/CU36C	1000	29.2	23.4	17.00	14.25
YCG30B21S	TM8X100C20MP11	21.0	CF/CM/CU36D	1000	29.2	23.4	17.50	14.75
YCG30B21S	TM8X100C20MP11	21.0	CF/CM/CU42C	1000	29.4	23.4	17.50	14.50
YCG30B21S	TM8X100C20MP11	21.0	CF/CM/CU42D	1000	29.4	23.4	17.50	14.75
YCG30B21S	TM8X120C20MP11	21.0	CF/CM/CU30C	1000	29.0	23.0	17.00	14.25
YCG30B21S	TM8X120C20MP11	21.0	CF/CM/CU30D	1000	29.0	23.0	17.00	14.25
YCG30B21S	TM8X120C20MP11	21.0	CF/CM/CU36C	1000	29.2	23.4	17.00	14.25
YCG30B21S	TM8X120C20MP11	21.0	CF/CM/CU36D	1000	29.2	23.4	17.50	14.75
YCG30B21S	TM8X120C20MP11	21.0	CF/CM/CU42C	1000	29.4	23.4	17.50	14.50
YCG30B21S	TM8X120C20MP11	21.0	CF/CM/CU42D	1000	29.4	23.4	17.50	14.75
YCG30B21S	TM8Y060A12MP11	14.5	CF/CM/CU30A	875	27.4	21.0	16.00	13.50
YCG30B21S	TM8Y060A12MP11	14.5	CF/CM36A	875	27.6	21.4	16.25	13.50
YCG30B21S	TM8Y060A12MP11	17.5	XAF/XAUB30C	925	28.4	21.0	16.25	13.50
YCG30B21S	TM8Y060A12MP11	17.5	XAF/XAUB36D	900	28.6	20.6	16.50	13.75
YCG30B21S	TM8Y060A12MP11	14.5	XAFA30D	875	28.0	20.4	15.75	12.75
YCG30B21S	TM8Y060A12MP11	17.5	XAFB36E	900	28.6	20.6	16.50	13.75
YCG30B21S	TM8Y060A12MP11	17.5	XAHB30C	1100	28.6	22.6	15.25	12.75
YCG30B21S	TM8Y060A12MP11	17.5	XAHB36D	875	28.4	20.4	16.25	13.50
YCG30B21S	TM8Y060A12MP11	21.0	XAHC42E	900	28.6	20.6	16.75	14.00
YCG30B21S	TM8Y080B12MP11	17.5	CF/CM/CU30B	975	28.4	22.4	16.50	13.50
YCG30B21S	TM8Y080B12MP11	17.5	CF/CM/CU36B	975	29.0	23.0	16.50	14.00
YCG30B21S	TM8Y080B12MP11	17.5	CF42B	950	28.8	22.4	16.75	14.25
YCG30B21S	TM8Y080B12MP11	17.5	XAF/XAUB30C	975	28.6	21.6	16.25	13.50
YCG30B21S	TM8Y080B12MP11	17.5	XAF/XAUB36D	950	28.8	21.2	16.50	13.75
YCG30B21S	TM8Y080B12MP11	21.0	XAF/XAUC42E	950	28.8	21.2	16.75	14.00
YCG30B21S	TM8Y080B12MP11	17.5	XAFB36E	925	28.8	21.0	16.50	13.75
YCG30B21S	TM8Y080B12MP11	21.0	XAFC30C	975	28.6	21.6	16.25	13.50
YCG30B21S	TM8Y080B12MP11	21.0	XAFC36D	950	28.8	21.2	16.50	13.75
YCG30B21S	TM8Y080B12MP11	17.5	XAHB30C	950	28.4	21.2	16.25	13.50
YCG30B21S	TM8Y080B12MP11	17.5	XAHB36D	925	28.6	20.8	16.50	13.75
YCG30B21S	TM8Y080B12MP11	21.0	XAHC30C	950	28.4	21.2	16.25	13.50
YCG30B21S	TM8Y080B12MP11	21.0	XAHC36D	950	28.8	21.2	16.50	13.75
YCG30B21S	TM8Y080B12MP11	21.0	XAHC42E	950	28.8	21.2	16.75	13.75
YCG30B21S	TM8Y080C16MP11	21.0	CF/CM/CU30C	950	28.4	22.4	16.50	14.00
YCG30B21S	TM8Y080C16MP11	21.0	CF/CM/CU30D	975	29.0	23.0	17.00	14.25
YCG30B21S	TM8Y080C16MP11	21.0	CF/CM/CU36C	950	28.6	22.6	17.00	14.25
YCG30B21S	TM8Y080C16MP11	21.0	CF/CM/CU36D	975	29.2	23.0	17.50	14.25
YCG30B21S	TM8Y080C16MP11	21.0	CF/CM/CU42C	950	29.0	22.6	17.50	14.50
YCG30B21S	TM8Y080C16MP11	21.0	CF/CM/CU42D	975	29.4	23.2	17.50	14.50
YCG30B21S	TM8Y080C16MP11	21.0	XAF/XAUC42E	950	29.0	21.2	17.25	14.00
YCG30B21S	TM8Y080C16MP11	21.0	XAFC30C	950	28.6	21.2	17.00	14.00

COOLING CAPACITY - With High Efficiency Motor Furnaces¹ (Continued)

UNIT MODEL	FURNACE		COIL MODEL ²	COOLING				
	MODEL	WIDTH		RATED CFM	NET MBH		SEER	EER
					TOTAL	SENS.		
YCG30B21S	TM8Y080C16MP11	21.0	XAFC36D	950	29.0	21.2	17.00	14.00
YCG30B21S	TM8Y080C16MP11	24.5	XAFD42E	950	29.0	21.2	17.25	14.00
YCG30B21S	TM8Y080C16MP11	21.0	XAHC30C	950	28.6	21.2	17.00	14.00
YCG30B21S	TM8Y080C16MP11	21.0	XAHC36D	925	28.8	20.8	17.00	14.00
YCG30B21S	TM8Y080C16MP11	21.0	XAHC42E	925	29.0	21.0	17.25	14.00
YCG30B21S	TM8Y080C16MP11	24.5	XAHD42E	925	29.0	21.0	17.25	14.00
YCG30B21S	TM8Y100C16MP11	21.0	CF/CM/CU30C	950	28.4	22.4	16.50	14.00
YCG30B21S	TM8Y100C16MP11	21.0	CF/CM/CU30D	975	29.0	23.0	17.00	14.25
YCG30B21S	TM8Y100C16MP11	21.0	CF/CM/CU36C	950	28.6	22.6	17.00	14.25
YCG30B21S	TM8Y100C16MP11	21.0	CF/CM/CU36D	975	29.2	23.0	17.50	14.25
YCG30B21S	TM8Y100C16MP11	21.0	CF/CM/CU42C	950	29.0	22.6	17.50	14.50
YCG30B21S	TM8Y100C16MP11	21.0	CF/CM/CU42D	975	29.4	23.2	17.50	14.50
YCG30B21S	TM8Y100C16MP11	21.0	XAF/XAUC42E	950	29.0	21.2	17.25	14.00
YCG30B21S	TM8Y100C16MP11	21.0	XAFC30C	950	28.6	21.2	17.00	14.00
YCG30B21S	TM8Y100C16MP11	21.0	XAFC36D	950	29.0	21.2	17.00	14.00
YCG30B21S	TM8Y100C16MP11	24.5	XAFD42E	950	29.0	21.2	17.25	14.00
YCG30B21S	TM8Y100C16MP11	21.0	XAHC30C	950	28.6	21.2	17.00	14.00
YCG30B21S	TM8Y100C16MP11	21.0	XAHC36D	925	28.8	20.8	17.00	14.00
YCG30B21S	TM8Y100C16MP11	21.0	XAHC42E	925	29.0	21.0	17.25	14.00
YCG30B21S	TM8Y100C16MP11	24.5	XAHD42E	925	29.0	21.0	17.25	14.00
YCG30B21S	TM8Y100C20MP11	21.0	CF/CM/CU30C	1000	29.0	23.0	17.00	14.25
YCG30B21S	TM8Y100C20MP11	21.0	CF/CM/CU30D	1000	29.0	23.0	17.00	14.25
YCG30B21S	TM8Y100C20MP11	21.0	CF/CM/CU36C	1000	29.2	23.4	17.00	14.25
YCG30B21S	TM8Y100C20MP11	21.0	CF/CM/CU36D	1000	29.2	23.4	17.50	14.75
YCG30B21S	TM8Y100C20MP11	21.0	CF/CM/CU42C	1000	29.4	23.4	17.50	14.50
YCG30B21S	TM8Y100C20MP11	21.0	CF/CM/CU42D	1000	29.4	23.4	17.50	14.75
YCG30B21S	TM8Y100C20MP11	21.0	XAF/XAUC42E	950	29.0	21.2	17.25	14.00
YCG30B21S	TM8Y100C20MP11	21.0	XAFC30C	975	28.8	21.6	17.00	14.00
YCG30B21S	TM8Y100C20MP11	21.0	XAFC36D	950	29.0	21.2	17.25	14.00
YCG30B21S	TM8Y100C20MP11	24.5	XAFD42E	950	29.0	21.2	17.25	14.00
YCG30B21S	TM8Y100C20MP11	21.0	XAHC30C	950	28.6	21.2	17.00	14.00
YCG30B21S	TM8Y100C20MP11	21.0	XAHC36D	925	28.8	20.8	17.25	14.00
YCG30B21S	TM8Y100C20MP11	21.0	XAHC42E	925	29.0	21.0	17.25	14.00
YCG30B21S	TM8Y100C20MP11	24.5	XAHD42E	950	29.0	21.2	17.25	14.00
YCG30B21S	TM8Y120C20MP11	21.0	CF/CM/CU30C	1000	29.0	23.0	17.00	14.25
YCG30B21S	TM8Y120C20MP11	21.0	CF/CM/CU30D	1000	29.0	23.0	17.00	14.25
YCG30B21S	TM8Y120C20MP11	21.0	CF/CM/CU36C	1000	29.2	23.4	17.00	14.25
YCG30B21S	TM8Y120C20MP11	21.0	CF/CM/CU36D	1000	29.2	23.4	17.50	14.75
YCG30B21S	TM8Y120C20MP11	21.0	CF/CM/CU42C	1000	29.4	23.4	17.50	14.50
YCG30B21S	TM8Y120C20MP11	21.0	CF/CM/CU42D	1000	29.4	23.4	17.50	14.75
YCG30B21S	TM8Y120C20MP11	21.0	XAF/XAUC42E	950	29.0	21.2	17.25	14.00
YCG30B21S	TM8Y120C20MP11	21.0	XAFC30C	975	28.8	21.6	17.00	14.00
YCG30B21S	TM8Y120C20MP11	21.0	XAFC36D	950	29.0	21.2	17.25	14.00
YCG30B21S	TM8Y120C20MP11	24.5	XAFD42E	950	29.0	21.2	17.25	14.00
YCG30B21S	TM8Y120C20MP11	21.0	XAHC30C	950	28.6	21.2	17.00	14.00
YCG30B21S	TM8Y120C20MP11	21.0	XAHC36D	925	28.8	20.8	17.25	14.00
YCG30B21S	TM8Y120C20MP11	21.0	XAHC42E	925	29.0	21.0	17.25	14.00
YCG30B21S	TM8Y120C20MP11	24.5	XAHD42E	950	29.0	21.2	17.25	14.00
YCG30B21S	TM9E026A08MP12	14.5	CF/CM/CU30B	850	27.6	20.9	15.50	12.75
YCG30B21S	TM9E026A08MP12	14.5	CF/CM/CU36B	850	27.8	21.5	15.50	12.75
YCG30B21S	TM9E026A08MP12	14.5	CF42B	850	28.2	21.0	15.75	13.00
YCG30B21S	TM9E040A10MP11	14.5	CF/CM/CU30A	900	27.2	21.2	14.75	12.50
YCG30B21S	TM9E040A10MP11	14.5	CF/CM36A	775	26.4	19.5	15.25	12.75
YCG30B21S	TM9E040A10MP12	14.5	CF/CM/CU30B	800	27.2	20.2	15.75	13.00
YCG30B21S	TM9E040A10MP12	14.5	CF/CM/CU36B	800	27.8	20.8	16.00	13.25
YCG30B21S	TM9E040A10MP12	14.5	CF/CM36A	775	27.6	20.4	15.75	13.00
YCG30B21S	TM9E040A10MP12	14.5	CF42B	800	28.2	20.6	16.00	13.25
YCG30B21S	TM9E060A10MP12	14.5	CF/CM/CU30B	825	27.6	20.6	16.00	13.25
YCG30B21S	TM9E060A10MP12	14.5	CF/CM/CU36B	825	28.0	21.2	16.25	13.50
YCG30B21S	TM9E060A10MP12	14.5	CF/CM36A	800	27.8	20.6	16.25	13.25
YCG30B21S	TM9E060A10MP12	14.5	CF42B	825	28.4	21.0	16.50	13.75
YCG30B21S	TM9E060A10MP12	17.5	XAF/XAUB30C	1025	28.4	22.0	15.50	12.75
YCG30B21S	TM9E060A10MP12	17.5	XAF/XAUB36D	1025	28.8	22.0	15.75	13.00
YCG30B21S	TM9E060A10MP12	14.5	XAFA30D	975	28.0	21.4	15.25	12.50

COOLING CAPACITY - With High Efficiency Motor Furnaces¹ (Continued)

UNIT MODEL	FURNACE		COIL MODEL ²	COOLING				
	MODEL	WIDTH		RATED CFM	NET MBH		SEER	EER
					TOTAL	SENS.		
YCG30B21S	TM9E060A10MP12	17.5	XAFB36E	850	28.4	20.2	16.25	13.50
YCG30B21S	TM9E060A10MP12	17.5	XAHB30C	1025	28.4	22.0	15.50	13.00
YCG30B21S	TM9E060A10MP12	17.5	XAHB36D	1000	28.6	21.6	15.50	12.75
YCG30B21S	TM9E060B12MP11	17.5	CF/CM/CU30B	850	28.2	21.0	16.50	13.75
YCG30B21S	TM9E060B12MP11	17.5	CF/CM/CU36B	850	28.0	21.6	16.50	13.75
YCG30B21S	TM9E060B12MP11	17.5	CF/CM/CU36C	875	28.4	22.0	16.75	14.00
YCG30B21S	TM9E060B12MP11	17.5	CF/CM/CU42C	875	28.8	21.6	17.00	14.00
YCG30B21S	TM9E060B12MP11	17.5	CF/CM30C	875	28.2	21.4	16.50	13.75
YCG30B21S	TM9E060B12MP11	17.5	CF42B	850	28.6	21.4	16.75	14.00
YCG30B21S	TM9E060B12MP12	17.5	CF/CM/CU30B	925	28.0	21.6	16.00	13.25
YCG30B21S	TM9E060B12MP12	17.5	CF/CM/CU36B	925	28.4	22.2	16.25	13.50
YCG30B21S	TM9E060B12MP12	17.5	CF/CM/CU36C	950	28.6	22.8	16.25	13.50
YCG30B21S	TM9E060B12MP12	17.5	CF/CM/CU42C	950	29.0	22.6	16.25	13.50
YCG30B21S	TM9E060B12MP12	17.5	CF/CM30C	950	28.0	22.0	16.00	13.50
YCG30B21S	TM9E060B12MP12	17.5	CF42B	925	28.8	22.2	16.25	13.50
YCG30B21S	TM9E060B12MP12	17.5	XAF/XAUB30C	1075	28.8	22.4	15.50	12.75
YCG30B21S	TM9E060B12MP12	17.5	XAF/XAUB36D	925	28.8	20.8	16.25	13.50
YCG30B21S	TM9E060B12MP12	21.0	XAF/XAUC42E	925	28.6	21.0	16.25	13.50
YCG30B21S	TM9E060B12MP12	17.5	XAFB36E	900	28.8	20.8	16.25	13.50
YCG30B21S	TM9E060B12MP12	21.0	XAFC30C	1075	28.6	22.4	15.50	12.75
YCG30B21S	TM9E060B12MP12	21.0	XAFC36D	925	28.6	20.8	16.25	13.50
YCG30B21S	TM9E060B12MP12	17.5	XAHB30C	1050	28.6	22.2	15.50	13.00
YCG30B21S	TM9E060B12MP12	17.5	XAHB36D	875	28.4	20.4	16.00	13.50
YCG30B21S	TM9E060B12MP12	21.0	XAHC30C	1075	28.6	22.4	15.50	12.75
YCG30B21S	TM9E060B12MP12	21.0	XAHC36D	900	28.4	20.6	16.25	13.50
YCG30B21S	TM9E060B12MP12	21.0	XAHC42E	900	28.6	20.8	16.25	13.50
YCG30B21S	TM9E080B12MP11	17.5	CF/CM/CU30B	975	28.4	22.4	16.50	13.75
YCG30B21S	TM9E080B12MP11	17.5	CF/CM/CU36B	975	29.0	23.0	16.50	14.00
YCG30B21S	TM9E080B12MP11	17.5	CF42B	975	29.2	23.0	17.00	14.00
YCG30B21S	TM9E080B12MP12	17.5	CF/CM/CU30B	775	27.4	20.0	16.50	13.50
YCG30B21S	TM9E080B12MP12	17.5	CF/CM/CU36B	775	28.0	20.6	16.75	13.75
YCG30B21S	TM9E080B12MP12	17.5	CF/CM/CU36C	800	28.0	20.8	16.75	13.75
YCG30B21S	TM9E080B12MP12	17.5	CF/CM/CU42C	800	28.4	20.8	17.00	14.00
YCG30B21S	TM9E080B12MP12	17.5	CF/CM30C	800	27.6	20.6	16.75	13.75
YCG30B21S	TM9E080B12MP12	17.5	CF42B	775	28.2	20.4	17.00	14.00
YCG30B21S	TM9E080B12MP12	17.5	XAF/XAUB30C	925	28.2	21.0	16.50	13.50
YCG30B21S	TM9E080B12MP12	17.5	XAF/XAUB36D	900	28.8	20.6	16.50	13.75
YCG30B21S	TM9E080B12MP12	21.0	XAF/XAUC42E	925	28.8	21.0	16.75	14.00
YCG30B21S	TM9E080B12MP12	17.5	XAFB36E	900	28.8	20.6	16.75	13.75
YCG30B21S	TM9E080B12MP12	21.0	XAFC30C	925	28.4	21.0	16.50	13.75
YCG30B21S	TM9E080B12MP12	21.0	XAFC36D	925	28.6	20.8	16.75	13.75
YCG30B21S	TM9E080B12MP12	17.5	XAHB30C	1025	28.2	22.0	16.00	13.25
YCG30B21S	TM9E080B12MP12	17.5	XAHB36D	875	28.6	20.4	16.50	13.75
YCG30B21S	TM9E080B12MP12	21.0	XAHC30C	925	28.4	21.0	16.50	13.75
YCG30B21S	TM9E080B12MP12	21.0	XAHC36D	900	28.6	20.6	16.50	13.75
YCG30B21S	TM9E080B12MP12	21.0	XAHC42E	900	28.6	20.6	16.75	13.75
YCG30B21S	TM9E080C16MP11	21.0	CF/CM/CU36C	975	29.0	23.0	17.00	14.00
YCG30B21S	TM9E080C16MP11	21.0	CF/CM/CU42C	975	29.2	22.8	17.00	14.00
YCG30B21S	TM9E080C16MP11	21.0	CF/CM30C	975	29.0	22.8	16.75	14.00
YCG30B21S	TM9E080C16MP11	21.0	CF/CM36D	975	29.0	23.0	17.00	14.00
YCG30B21S	TM9E080C16MP11	21.0	CF/CM42D	975	29.2	22.8	17.00	14.25
YCG30B21S	TM9E080C16MP12	21.0	CF/CM/CU36C	875	28.4	21.8	17.00	14.00
YCG30B21S	TM9E080C16MP12	21.0	CF/CM/CU42C	875	28.8	21.6	17.25	14.00
YCG30B21S	TM9E080C16MP12	21.0	CF/CM30C	875	27.6	21.0	16.75	13.75
YCG30B21S	TM9E080C16MP12	21.0	CF/CM36D	900	28.6	22.4	17.00	14.00
YCG30B21S	TM9E080C16MP12	21.0	CF/CM42D	900	29.0	22.0	17.25	14.00
YCG30B21S	TM9E080C16MP12	21.0	XAF/XAUC42E	850	28.8	20.2	17.00	14.00
YCG30B21S	TM9E080C16MP12	21.0	XAFC30C	1075	28.4	22.4	16.50	13.75
YCG30B21S	TM9E080C16MP12	21.0	XAFC36D	850	28.4	20.0	16.50	13.75
YCG30B21S	TM9E080C16MP12	24.5	XAFD42E	850	28.6	20.2	17.00	14.00
YCG30B21S	TM9E080C16MP12	21.0	XAHC30C	1050	28.4	22.2	16.50	13.75
YCG30B21S	TM9E080C16MP12	21.0	XAHC36D	1025	29.2	21.8	16.50	13.75
YCG30B21S	TM9E080C16MP12	21.0	XAHC42E	825	28.6	19.9	17.00	14.00
YCG30B21S	TM9E080C16MP12	24.5	XAHD42E	850	28.6	20.2	17.00	14.00

COOLING CAPACITY - With High Efficiency Motor Furnaces¹ (Continued)

UNIT MODEL	FURNACE		COIL MODEL ²	COOLING				
	MODEL	WIDTH		RATED CFM	NET MBH		SEER	EER
					TOTAL	SENS.		
YCG30B21S	TM9E080C20MP12	21.0	XAF/XAUC42E	1175	29.6	23.4	16.75	14.00
YCG30B21S	TM9E080C20MP12	21.0	XAFC30C	1200	29.2	23.6	16.50	13.75
YCG30B21S	TM9E080C20MP12	21.0	XAFC36D	1175	29.6	23.2	16.75	14.00
YCG30B21S	TM9E080C20MP12	24.5	XAFD42E	1200	29.6	23.6	17.00	14.00
YCG30B21S	TM9E080C20MP12	21.0	XAHC30C	1200	29.2	23.6	16.50	13.75
YCG30B21S	TM9E080C20MP12	21.0	XAHC36D	1150	29.4	23.0	16.75	14.00
YCG30B21S	TM9E080C20MP12	21.0	XAHC42E	1150	29.6	23.2	16.75	14.00
YCG30B21S	TM9E080C20MP12	24.5	XAHD42E	1175	29.6	23.4	16.75	14.00
YCG30B21S	TM9E100C16MP11	21.0	CF/CM/CU30C	975	28.8	22.8	16.50	14.00
YCG30B21S	TM9E100C16MP11	21.0	CF/CM/CU30D	1000	28.8	22.8	16.50	14.00
YCG30B21S	TM9E100C16MP11	21.0	CF/CM/CU36C	975	29.0	23.0	17.00	14.00
YCG30B21S	TM9E100C16MP11	21.0	CF/CM/CU36D	1000	29.2	23.4	17.00	14.00
YCG30B21S	TM9E100C16MP11	21.0	CF/CM/CU42C	975	29.2	22.8	17.25	14.00
YCG30B21S	TM9E100C16MP11	21.0	CF/CM/CU42D	1000	29.4	23.4	17.00	14.25
YCG30B21S	TM9E100C16MP12	21.0	CF/CM/CU36C	925	28.6	22.4	17.00	14.00
YCG30B21S	TM9E100C16MP12	21.0	CF/CM/CU42C	925	29.2	22.6	17.25	14.00
YCG30B21S	TM9E100C16MP12	21.0	CF/CM30C	925	28.2	21.6	16.75	13.75
YCG30B21S	TM9E100C16MP12	21.0	CF/CM36D	950	28.8	22.8	17.00	14.00
YCG30B21S	TM9E100C16MP12	21.0	CF/CM42D	775	28.4	20.6	17.25	14.00
YCG30B21S	TM9E100C16MP12	21.0	XAF/XAUC42E	900	29.0	20.8	17.00	14.00
YCG30B21S	TM9E100C16MP12	21.0	XAFC30C	900	28.2	20.8	16.75	13.75
YCG30B21S	TM9E100C16MP12	21.0	XAFC36D	900	28.6	20.6	17.00	14.00
YCG30B21S	TM9E100C16MP12	24.5	XAFD42E	900	28.8	20.8	17.00	14.00
YCG30B21S	TM9E100C16MP12	21.0	XAHC30C	900	28.2	20.8	16.75	13.75
YCG30B21S	TM9E100C16MP12	21.0	XAHC36D	875	28.6	20.4	17.00	14.00
YCG30B21S	TM9E100C16MP12	21.0	XAHC42E	875	28.8	20.4	17.00	14.00
YCG30B21S	TM9E100C16MP12	24.5	XAHD42E	875	28.6	20.4	17.00	14.00
YCG30B21S	TM9E100C20MP12	21.0	XAF/XAUC42E	1175	29.6	23.4	17.00	14.00
YCG30B21S	TM9E100C20MP12	21.0	XAFC30C	1175	29.2	23.4	16.50	13.75
YCG30B21S	TM9E100C20MP12	21.0	XAFC36D	1150	29.6	23.0	16.75	14.00
YCG30B21S	TM9E100C20MP12	24.5	XAFD42E	1175	29.6	23.4	17.00	14.00
YCG30B21S	TM9E100C20MP12	21.0	XAHC30C	1175	29.2	23.4	16.50	13.75
YCG30B21S	TM9E100C20MP12	21.0	XAHC36D	1150	29.6	23.2	16.75	14.00
YCG30B21S	TM9E100C20MP12	21.0	XAHC42E	1150	29.6	23.2	16.75	14.00
YCG30B21S	TM9E100C20MP12	24.5	XAHD42E	1150	29.6	23.2	16.75	14.00
YCG30B21S	TM9E120D20MP11	24.5	CF/CM/CU30D	950	28.6	22.6	17.50	14.25
YCG30B21S	TM9E120D20MP11	24.5	CF/CM/CU36D	950	28.6	22.6	17.50	14.50
YCG30B21S	TM9E120D20MP11	24.5	CF/CM/CU42D	950	29.0	22.4	17.75	14.75
YCG30B21S	TM9E120D20MP12	24.5	XAFD42E	1200	29.6	23.6	16.75	14.00
YCG30B21S	TM9E120D20MP12	24.5	XAHD42E	1175	29.6	23.4	16.75	14.00
YCG30B21S	TM9V040A10MP12C	14.5	CF/CM/CU30A	775	27.6	20.2	15.50	13.00
YCG30B21S	TM9V040A10MP12C	14.5	CF/CM/CU30B	775	27.6	20.0	15.75	13.25
YCG30B21S	TM9V040A10MP12C	14.5	CF/CM/CU36B	775	27.8	20.6	16.00	13.25
YCG30B21S	TM9V040A10MP12C	14.5	CF/CM36A	775	27.6	20.4	15.75	13.00
YCG30B21S	TM9V040A10MP12C	14.5	CF42B	775	28.0	20.4	16.00	13.25
YCG30B21S	TM9V040A10MP12C	17.5	XAF/XAUB36D	950	28.4	21.2	15.25	12.75
YCG30B21S	TM9V040A10MP12C	17.5	XAFB36E	900	28.4	20.8	15.75	13.00
YCG30B21S	TM9V060B12MP12C	17.5	CF/CM/CU30B	775	27.8	20.2	16.25	13.50
YCG30B21S	TM9V060B12MP12C	17.5	CF/CM/CU36B	775	27.8	20.6	16.50	13.75
YCG30B21S	TM9V060B12MP12C	17.5	CF/CM/CU36C	775	28.0	20.8	16.50	13.75
YCG30B21S	TM9V060B12MP12C	17.5	CF/CM/CU42C	775	28.2	20.4	17.00	14.00
YCG30B21S	TM9V060B12MP12C	17.5	CF/CM30C	775	27.8	20.2	16.25	13.50
YCG30B21S	TM9V060B12MP12C	17.5	CF42B	775	28.2	20.4	17.00	14.00
YCG30B21S	TM9V060B12MP12C	17.5	XAF/XAUB30C	1000	28.6	21.8	15.75	13.00
YCG30B21S	TM9V060B12MP12C	17.5	XAF/XAUB36D	875	28.6	20.4	16.25	13.50
YCG30B21S	TM9V060B12MP12C	21.0	XAF/XAUC42E	875	28.4	20.4	16.50	13.75
YCG30B21S	TM9V060B12MP12C	17.5	XAFB36E	875	28.6	20.4	16.25	13.50
YCG30B21S	TM9V060B12MP12C	21.0	XAFC30C	1000	28.4	21.8	15.75	13.00
YCG30B21S	TM9V060B12MP12C	21.0	XAFC36D	875	28.4	20.4	16.25	13.50
YCG30B21S	TM9V060B12MP12C	17.5	XAHB30C	1025	28.6	22.0	15.50	12.75
YCG30B21S	TM9V060B12MP12C	17.5	XAHB36D	875	28.6	20.4	16.00	13.50
YCG30B21S	TM9V060B12MP12C	21.0	XAHC30C	1000	28.4	21.8	15.75	13.00
YCG30B21S	TM9V060B12MP12C	21.0	XAHC36D	875	28.4	20.4	16.25	13.50
YCG30B21S	TM9V060B12MP12C	21.0	XAHC42E	875	28.4	20.4	16.25	13.50

COOLING CAPACITY - With High Efficiency Motor Furnaces¹ (Continued)

UNIT MODEL	FURNACE		COIL MODEL ²	COOLING				
	MODEL	WIDTH		RATED CFM	NET MBH		SEER	EER
					TOTAL	SENS.		
YCG30B21S	TM9V080B12MP12C	17.5	CF/CM/CU30B	975	28.4	22.4	16.25	13.50
YCG30B21S	TM9V080B12MP12C	17.5	CF/CM/CU36B	975	29.0	23.0	16.50	13.75
YCG30B21S	TM9V080B12MP12C	17.5	CF42B	975	29.0	22.8	17.00	14.25
YCG30B21S	TM9V080B12MP12C	17.5	XAF/XAUB30C	975	28.8	21.6	16.25	13.50
YCG30B21S	TM9V080B12MP12C	17.5	XAF/XAUB36D	850	28.6	20.2	16.50	13.75
YCG30B21S	TM9V080B12MP12C	21.0	XAF/XAUC42E	875	28.6	20.4	16.75	14.00
YCG30B21S	TM9V080B12MP12C	17.5	XAFB36E	850	28.6	20.2	16.75	13.75
YCG30B21S	TM9V080B12MP12C	21.0	XAFC30C	975	28.4	21.6	16.25	13.50
YCG30B21S	TM9V080B12MP12C	21.0	XAFC36D	850	28.4	20.2	16.75	14.00
YCG30B21S	TM9V080B12MP12C	17.5	XAHB30C	975	28.6	21.4	16.25	13.50
YCG30B21S	TM9V080B12MP12C	17.5	XAHB36D	875	28.6	20.4	16.50	13.75
YCG30B21S	TM9V080B12MP12C	21.0	XAHC30C	975	28.2	21.4	16.25	13.50
YCG30B21S	TM9V080B12MP12C	21.0	XAHC36D	850	28.4	20.2	16.50	13.75
YCG30B21S	TM9V080B12MP12C	21.0	XAHC42E	875	28.6	20.4	16.75	13.75
YCG30B21S	TM9V080C16MP12C	21.0	CF/CM/CU36C	950	28.8	22.8	17.00	14.00
YCG30B21S	TM9V080C16MP12C	21.0	CF/CM/CU42C	950	29.2	22.6	17.25	14.25
YCG30B21S	TM9V080C16MP12C	21.0	CF/CM30C	950	28.2	22.2	16.50	13.75
YCG30B21S	TM9V080C16MP12C	21.0	CF/CM36D	950	28.4	22.4	16.75	14.00
YCG30B21S	TM9V080C16MP12C	21.0	CF/CM42D	950	28.8	22.4	17.00	14.25
YCG30B21S	TM9V080C16MP12C	21.0	XAF/XAUC42E	950	29.0	21.2	16.75	14.00
YCG30B21S	TM9V080C16MP12C	21.0	XAFC30C	950	28.8	21.4	16.50	13.75
YCG30B21S	TM9V080C16MP12C	21.0	XAFC36D	950	29.0	21.2	16.75	14.00
YCG30B21S	TM9V080C16MP12C	24.5	XAFD42E	950	28.8	21.2	17.00	14.00
YCG30B21S	TM9V080C16MP12C	21.0	XAHC30C	950	28.8	21.4	16.50	13.75
YCG30B21S	TM9V080C16MP12C	21.0	XAHC36D	950	29.0	21.2	16.50	13.75
YCG30B21S	TM9V080C16MP12C	21.0	XAHC42E	950	29.0	21.2	16.75	13.75
YCG30B21S	TM9V080C16MP12C	24.5	XAHD42E	950	28.8	21.2	16.75	14.00
YCG30B21S	TM9V100C16MP12C	21.0	CF/CM/CU30C	1000	28.6	22.6	16.50	14.00
YCG30B21S	TM9V100C16MP12C	21.0	CF/CM/CU30D	975	29.0	23.0	17.00	14.25
YCG30B21S	TM9V100C16MP12C	21.0	CF/CM/CU36C	1000	29.2	23.4	17.00	14.25
YCG30B21S	TM9V100C16MP12C	21.0	CF/CM/CU36D	975	29.2	23.0	17.25	14.50
YCG30B21S	TM9V100C16MP12C	21.0	CF/CM/CU42C	1000	29.4	23.4	17.50	14.50
YCG30B21S	TM9V100C16MP12C	21.0	CF/CM/CU42D	975	29.4	23.0	17.50	14.50
YCG30B21S	TM9V100C16MP12C	21.0	XAF/XAUC42E	900	29.0	20.8	17.00	14.00
YCG30B21S	TM9V100C16MP12C	21.0	XAFC30C	900	28.6	20.8	16.50	13.75
YCG30B21S	TM9V100C16MP12C	21.0	XAFC36D	900	28.8	20.6	17.00	14.00
YCG30B21S	TM9V100C16MP12C	24.5	XAFD42E	900	28.8	20.8	17.00	14.00
YCG30B21S	TM9V100C16MP12C	21.0	XAHC30C	900	28.6	20.8	16.50	13.75
YCG30B21S	TM9V100C16MP12C	21.0	XAHC36D	900	28.8	20.6	17.00	14.00
YCG30B21S	TM9V100C16MP12C	21.0	XAHC42E	900	29.0	20.8	17.00	14.00
YCG30B21S	TM9V100C16MP12C	24.5	XAHD42E	900	28.8	20.8	17.00	14.00
YCG30B21S	TM9V100C20MP12C	21.0	CF/CM/CU42C	1100	29.4	24.4	16.75	14.00
YCG30B21S	TM9V100C20MP12C	21.0	CF/CM/CU42D	1100	29.4	24.4	17.00	14.00
YCG30B21S	TM9V100C20MP12C	21.0	XAF/XAUC42E	1100	29.6	22.8	16.50	13.75
YCG30B21S	TM9V100C20MP12C	21.0	XAFC30C	1100	29.0	22.8	16.25	13.50
YCG30B21S	TM9V100C20MP12C	21.0	XAFC36D	1100	29.2	22.4	16.50	13.75
YCG30B21S	TM9V100C20MP12C	24.5	XAFD42E	1100	29.4	22.8	16.75	14.00
YCG30B21S	TM9V100C20MP12C	21.0	XAHC30C	1100	28.8	22.6	16.25	13.50
YCG30B21S	TM9V100C20MP12C	21.0	XAHC36D	1125	29.4	22.8	16.25	13.50
YCG30B21S	TM9V100C20MP12C	21.0	XAHC42E	1125	29.6	23.0	16.50	13.75
YCG30B21S	TM9V100C20MP12C	24.5	XAHD42E	1100	29.4	22.8	16.50	13.75
YCG30B21S	TM9V120D20MP12C	24.5	CF/CM/CU36D	1050	29.2	24.0	17.50	14.25
YCG30B21S	TM9V120D20MP12C	24.5	CF/CM/CU42D	1050	29.6	24.0	17.50	14.50
YCG30B21S	TM9V120D20MP12C	24.5	XAFD42E	1050	29.6	22.2	17.25	14.25
YCG30B21S	TM9V120D20MP12C	24.5	XAHD42E	1050	29.6	22.2	17.00	14.00
YCG30B21S	TM9Y040A10MP11	14.5	CF/CM/CU30A	900	27.2	21.2	14.75	12.50
YCG30B21S	TM9Y040A10MP11	14.5	CF/CM36A	775	26.4	19.5	15.25	12.75
YCG30B21S	TM9Y060B12MP11	17.5	CF/CM/CU30B	850	28.2	21.0	16.50	13.75
YCG30B21S	TM9Y060B12MP11	17.5	CF/CM/CU36B	850	28.0	21.6	16.50	13.75
YCG30B21S	TM9Y060B12MP11	17.5	CF/CM/CU36C	875	28.4	22.0	16.75	14.00
YCG30B21S	TM9Y060B12MP11	17.5	CF/CM/CU42C	875	28.8	21.6	17.00	14.00
YCG30B21S	TM9Y060B12MP11	17.5	CF/CM30C	875	28.2	21.4	16.50	13.75
YCG30B21S	TM9Y060B12MP11	17.5	CF42B	850	28.6	21.4	16.75	14.00
YCG30B21S	TM9Y060B12MP11	17.5	XAF/XAUB30C	950	28.4	21.4	16.00	13.25

COOLING CAPACITY - With High Efficiency Motor Furnaces¹ (Continued)

UNIT MODEL	FURNACE		COIL MODEL ²	COOLING				
	MODEL	WIDTH		RATED CFM	NET MBH		SEER	EER
					TOTAL	SENS.		
YCG30B21S	TM9Y060B12MP11	17.5	XAF/XAUB36D	925	28.6	21.0	16.25	13.50
YCG30B21S	TM9Y060B12MP11	21.0	XAF/XAUC42E	850	28.4	20.2	16.25	13.50
YCG30B21S	TM9Y060B12MP11	17.5	XAFB36E	925	28.6	21.0	16.25	13.50
YCG30B21S	TM9Y060B12MP11	21.0	XAFC30C	950	28.4	21.4	16.00	13.50
YCG30B21S	TM9Y060B12MP11	21.0	XAFC36D	850	28.4	20.2	16.25	13.50
YCG30B21S	TM9Y060B12MP11	17.5	XAHB30C	1100	28.6	22.8	15.00	12.50
YCG30B21S	TM9Y060B12MP11	17.5	XAHB36D	900	28.4	20.6	16.00	13.50
YCG30B21S	TM9Y060B12MP11	21.0	XAHC30C	950	28.4	21.4	16.00	13.50
YCG30B21S	TM9Y060B12MP11	21.0	XAHC36D	925	28.6	21.0	16.25	13.50
YCG30B21S	TM9Y060B12MP11	21.0	XAHC42E	925	28.6	21.0	16.25	13.50
YCG30B21S	TM9Y080B12MP11	17.5	CF/CM/CU30B	975	28.4	22.4	16.50	13.75
YCG30B21S	TM9Y080B12MP11	17.5	CF/CM/CU36B	975	29.0	23.0	16.50	14.00
YCG30B21S	TM9Y080B12MP11	17.5	CF42B	975	29.2	23.0	17.00	14.00
YCG30B21S	TM9Y080B12MP11	17.5	XAF/XAUB30C	975	28.4	21.4	16.00	13.50
YCG30B21S	TM9Y080B12MP11	17.5	XAF/XAUB36D	875	28.4	20.4	16.50	13.75
YCG30B21S	TM9Y080B12MP11	21.0	XAF/XAUC42E	875	28.6	20.4	16.75	14.00
YCG30B21S	TM9Y080B12MP11	17.5	XAFB36E	850	28.4	20.2	16.50	13.75
YCG30B21S	TM9Y080B12MP11	21.0	XAFC30C	975	28.4	21.4	16.00	13.50
YCG30B21S	TM9Y080B12MP11	21.0	XAFC36D	875	28.4	20.4	16.50	13.75
YCG30B21S	TM9Y080B12MP11	17.5	XAHB30C	950	28.4	21.4	16.00	13.50
YCG30B21S	TM9Y080B12MP11	17.5	XAHB36D	850	28.4	20.2	16.50	13.75
YCG30B21S	TM9Y080B12MP11	21.0	XAHC30C	975	28.4	21.4	16.00	13.50
YCG30B21S	TM9Y080B12MP11	21.0	XAHC36D	875	28.4	20.4	16.50	13.75
YCG30B21S	TM9Y080B12MP11	21.0	XAHC42E	850	28.4	20.2	16.75	13.75
YCG30B21S	TM9Y080C16MP11	21.0	CF/CM/CU36C	975	29.0	23.0	17.00	14.00
YCG30B21S	TM9Y080C16MP11	21.0	CF/CM/CU42C	975	29.2	22.8	17.00	14.00
YCG30B21S	TM9Y080C16MP11	21.0	CF/CM30C	975	29.0	22.8	16.75	14.00
YCG30B21S	TM9Y080C16MP11	21.0	CF/CM36D	975	29.0	23.0	17.00	14.00
YCG30B21S	TM9Y080C16MP11	21.0	CF/CM42D	975	29.2	22.8	17.00	14.25
YCG30B21S	TM9Y080C16MP11	21.0	XAF/XAUC42E	925	28.8	21.0	16.75	14.00
YCG30B21S	TM9Y080C16MP11	21.0	XAFC30C	950	28.6	21.4	16.50	13.75
YCG30B21S	TM9Y080C16MP11	21.0	XAFC36D	925	28.8	21.0	16.50	13.75
YCG30B21S	TM9Y080C16MP11	24.5	XAFD42E	950	29.0	21.2	17.00	14.00
YCG30B21S	TM9Y080C16MP11	21.0	XAHC30C	950	28.6	21.4	16.50	13.75
YCG30B21S	TM9Y080C16MP11	21.0	XAHC36D	925	28.8	21.0	16.50	13.75
YCG30B21S	TM9Y080C16MP11	21.0	XAHC42E	925	28.8	21.0	16.75	14.00
YCG30B21S	TM9Y080C16MP11	24.5	XAHD42E	925	28.8	21.0	16.75	14.00
YCG30B21S	TM9Y100C16MP11	21.0	CF/CM/CU30C	975	28.8	22.8	16.50	14.00
YCG30B21S	TM9Y100C16MP11	21.0	CF/CM/CU30D	1000	28.8	22.8	16.50	14.00
YCG30B21S	TM9Y100C16MP11	21.0	CF/CM/CU36C	975	29.0	23.0	17.00	14.00
YCG30B21S	TM9Y100C16MP11	21.0	CF/CM/CU36D	1000	29.2	23.4	17.00	14.00
YCG30B21S	TM9Y100C16MP11	21.0	CF/CM/CU42C	975	29.2	22.8	17.25	14.00
YCG30B21S	TM9Y100C16MP11	21.0	CF/CM/CU42D	1000	29.4	23.4	17.00	14.25
YCG30B21S	TM9Y100C16MP11	21.0	XAF/XAUC42E	925	28.8	21.0	17.00	14.00
YCG30B21S	TM9Y100C16MP11	21.0	XAFC30C	950	28.6	21.2	16.75	13.75
YCG30B21S	TM9Y100C16MP11	21.0	XAFC36D	925	28.8	21.0	16.75	14.00
YCG30B21S	TM9Y100C16MP11	24.5	XAFD42E	925	28.8	21.0	17.00	14.00
YCG30B21S	TM9Y100C16MP11	21.0	XAHC30C	925	28.4	21.0	16.75	13.75
YCG30B21S	TM9Y100C16MP11	21.0	XAHC36D	925	28.8	21.0	16.75	14.00
YCG30B21S	TM9Y100C16MP11	21.0	XAHC42E	900	28.8	20.8	16.75	14.00
YCG30B21S	TM9Y100C16MP11	24.5	XAHD42E	925	28.8	21.0	17.00	14.00
YCG30B21S	TM9Y100C20MP11	21.0	XAF/XAUC42E	1125	29.6	23.0	16.50	13.75
YCG30B21S	TM9Y100C20MP11	21.0	XAFC30C	1150	29.0	23.2	16.25	13.50
YCG30B21S	TM9Y100C20MP11	21.0	XAFC36D	1125	29.4	22.8	16.50	13.75
YCG30B21S	TM9Y100C20MP11	24.5	XAFD42E	1150	29.6	23.2	16.75	14.00
YCG30B21S	TM9Y100C20MP11	21.0	XAHC30C	1125	29.0	23.0	16.25	13.50
YCG30B21S	TM9Y100C20MP11	21.0	XAHC36D	1100	29.2	22.4	16.50	13.75
YCG30B21S	TM9Y100C20MP11	21.0	XAHC42E	1100	29.4	22.8	16.50	13.75
YCG30B21S	TM9Y100C20MP11	24.5	XAHD42E	1125	29.6	23.0	16.50	13.75
YCG30B21S	TM9Y120D20MP11	24.5	CF/CM/CU30D	950	28.6	22.6	17.50	14.25
YCG30B21S	TM9Y120D20MP11	24.5	CF/CM/CU36D	950	28.6	22.6	17.50	14.50
YCG30B21S	TM9Y120D20MP11	24.5	CF/CM/CU42D	950	29.0	22.4	17.75	14.75
YCG30B21S	TM9Y120D20MP11	24.5	XAFD42E	900	28.8	20.6	17.00	14.00
YCG30B21S	TM9Y120D20MP11	24.5	XAHD42E	875	28.8	20.6	17.00	14.00

COOLING CAPACITY - With High Efficiency Motor Furnaces¹ (Continued)

UNIT MODEL	FURNACE		COIL MODEL ²	COOLING				
	MODEL	WIDTH		RATED CFM	NET MBH		SEER	EER
					TOTAL	SENS.		
YCG30B21S	TMLE040A12MP11	14.5	CF/CM36A	825	28.0	21.1	16.50	13.50
YCG30B21S	TMLE040A12MP11	17.5	XAF/XAUB30C	1025	28.4	22.2	16.50	13.75
YCG30B21S	TMLE040A12MP11	17.5	XAF/XAUB36D	850	28.4	20.0	16.75	13.75
YCG30B21S	TMLE040A12MP11	14.5	XAFA30D	975	28.0	21.4	15.75	12.75
YCG30B21S	TMLE040A12MP11	17.5	XAFB36E	825	28.4	19.9	16.75	13.75
YCG30B21S	TMLE040A12MP11	17.5	XAHB30C	1000	28.4	21.8	16.25	13.50
YCG30B21S	TMLE040A12MP11	17.5	XAHB36D	975	28.8	21.4	16.25	13.50
YCG30B21S	TMLE040A12MP11	21.0	XAHC42E	825	28.4	19.9	17.00	14.25
YCG30B21S	TMLE060A12MP11	14.5	CF/CM36A	825	28.0	21.1	16.50	13.50
YCG30B21S	TMLE060A12MP11	17.5	XAF/XAUB30C	1025	28.4	22.2	16.50	13.75
YCG30B21S	TMLE060A12MP11	17.5	XAF/XAUB36D	850	28.2	20.0	16.75	13.75
YCG30B21S	TMLE060A12MP11	14.5	XAFA30D	950	28.0	21.0	15.75	12.75
YCG30B21S	TMLE060A12MP11	17.5	XAFB36E	850	28.4	20.2	17.00	14.00
YCG30B21S	TMLE060A12MP11	17.5	XAHB30C	1000	28.4	21.8	16.25	13.50
YCG30B21S	TMLE060A12MP11	17.5	XAHB36D	975	28.8	21.4	16.25	13.50
YCG30B21S	TMLE060A12MP11	21.0	XAHC42E	850	28.6	20.2	17.00	14.25
YCG30B21S	TMLE080B12MP11	17.5	XAF/XAUB30C	900	28.6	20.8	16.25	13.50
YCG30B21S	TMLE080B12MP11	17.5	XAF/XAUB36D	875	28.8	20.4	16.75	13.75
YCG30B21S	TMLE080B12MP11	21.0	XAF/XAUC42E	875	28.6	20.4	17.00	14.00
YCG30B21S	TMLE080B12MP11	17.5	XAFB36E	850	28.6	20.2	16.75	14.00
YCG30B21S	TMLE080B12MP11	21.0	XAFC30C	900	28.4	20.8	16.25	13.50
YCG30B21S	TMLE080B12MP11	21.0	XAFC36D	875	28.4	20.4	16.75	13.75
YCG30B21S	TMLE080B12MP11	17.5	XAHB30C	1000	28.8	21.8	16.25	13.50
YCG30B21S	TMLE080B12MP11	17.5	XAHB36D	850	28.4	20.2	16.75	13.75
YCG30B21S	TMLE080B12MP11	21.0	XAHC30C	1025	28.8	22.2	16.25	13.50
YCG30B21S	TMLE080B12MP11	21.0	XAHC36D	875	28.4	20.4	16.75	13.75
YCG30B21S	TMLE080B12MP11	21.0	XAHC42E	850	28.4	20.2	16.75	14.00
YCG30B21S	TMLE080C16MP11	21.0	XAF/XAUC42E	900	29.0	20.8	17.25	14.00
YCG30B21S	TMLE080C16MP11	21.0	XAFC30C	925	28.4	21.0	17.00	14.00
YCG30B21S	TMLE080C16MP11	21.0	XAFC36D	900	28.8	20.6	17.00	14.00
YCG30B21S	TMLE080C16MP11	24.5	XAFD42E	900	28.6	20.6	17.25	14.00
YCG30B21S	TMLE080C16MP11	21.0	XAHC30C	900	28.4	20.8	17.00	14.00
YCG30B21S	TMLE080C16MP11	21.0	XAHC36D	875	28.4	20.4	17.00	14.00
YCG30B21S	TMLE080C16MP11	21.0	XAHC42E	875	28.6	20.4	17.00	14.00
YCG30B21S	TMLE080C16MP11	24.5	XAHD42E	900	28.6	20.8	17.25	14.00
YCG30B21S	TMLE080C20MP11	21.0	XAF/XAUC42E	1200	29.6	23.6	16.75	14.00
YCG30B21S	TMLE080C20MP11	21.0	XAFC36D	1200	29.6	23.4	16.75	14.00
YCG30B21S	TMLE080C20MP11	21.0	XAHC30C	1200	29.2	23.6	16.50	13.75
YCG30B21S	TMLE080C20MP11	21.0	XAHC36D	1175	29.6	23.2	16.75	14.00
YCG30B21S	TMLE080C20MP11	21.0	XAHC42E	1175	29.6	23.4	16.75	14.00
YCG30B21S	TMLE080C20MP11	24.5	XAHD42E	1200	29.6	23.6	16.75	14.00
YCG30B21S	TMLE100B12MP11	17.5	XAF/XAUB30C	900	27.8	20.8	16.75	13.75
YCG30B21S	TMLE100B12MP11	17.5	XAF/XAUB36D	875	28.4	20.4	16.75	14.00
YCG30B21S	TMLE100B12MP11	21.0	XAF/XAUC42E	875	28.6	20.4	17.00	14.00
YCG30B21S	TMLE100B12MP11	17.5	XAFB36E	875	28.6	20.4	16.75	14.00
YCG30B21S	TMLE100B12MP11	21.0	XAFC30C	900	27.8	20.8	16.75	13.75
YCG30B21S	TMLE100B12MP11	21.0	XAFC36D	875	28.6	20.4	16.75	13.75
YCG30B21S	TMLE100B12MP11	17.5	XAHB30C	1050	28.4	22.2	16.00	13.50
YCG30B21S	TMLE100B12MP11	17.5	XAHB36D	850	28.4	20.2	16.75	13.75
YCG30B21S	TMLE100B12MP11	21.0	XAHC30C	900	27.8	20.8	16.75	13.75
YCG30B21S	TMLE100B12MP11	21.0	XAHC36D	875	28.6	20.4	16.75	13.75
YCG30B21S	TMLE100B12MP11	21.0	XAHC42E	875	28.6	20.4	17.00	14.00
YCG30B21S	TMLE100C16MP11	21.0	XAF/XAUC42E	875	28.8	20.4	17.00	14.00
YCG30B21S	TMLE100C16MP11	21.0	XAFC30C	900	28.4	20.8	17.00	14.00
YCG30B21S	TMLE100C16MP11	21.0	XAFC36D	875	28.8	20.4	17.00	14.00
YCG30B21S	TMLE100C16MP11	24.5	XAFD42E	900	28.8	20.6	17.25	14.00
YCG30B21S	TMLE100C16MP11	21.0	XAHC30C	900	28.4	20.8	17.00	14.00
YCG30B21S	TMLE100C16MP11	21.0	XAHC36D	875	28.8	20.4	17.00	14.00
YCG30B21S	TMLE100C16MP11	21.0	XAHC42E	875	28.8	20.4	17.00	14.00
YCG30B21S	TMLE100C16MP11	24.5	XAHD42E	875	28.6	20.4	17.00	14.00
YCG30B21S	TMLE100C20MP11	21.0	XAF/XAUC42E	1200	29.6	23.6	16.75	14.00
YCG30B21S	TMLE100C20MP11	21.0	XAFC36D	1200	29.6	23.4	16.75	14.00
YCG30B21S	TMLE100C20MP11	21.0	XAHC30C	1200	29.2	23.6	16.50	13.75
YCG30B21S	TMLE100C20MP11	21.0	XAHC36D	1175	29.6	23.2	16.75	13.75

COOLING CAPACITY - With High Efficiency Motor Furnaces¹ (Continued)

UNIT MODEL	FURNACE		COIL MODEL ²	COOLING				
	MODEL	WIDTH		RATED CFM	NET MBH		SEER	EER
					TOTAL	SENS.		
YCG30B21S	TMLE100C20MP11	21.0	XAHC42E	1175	29.6	23.4	16.75	14.00
YCG30B21S	TMLE100C20MP11	24.5	XAHD42E	1200	29.6	23.6	16.75	14.00
YCG30B21S	TMLE120C16MP11	21.0	XAF/XAUC42E	900	29.0	20.6	17.25	14.00
YCG30B21S	TMLE120C16MP11	21.0	XAFC30C	925	28.4	21.0	17.00	14.00
YCG30B21S	TMLE120C16MP11	21.0	XAFC36D	900	28.8	20.6	17.25	14.00
YCG30B21S	TMLE120C16MP11	24.5	XAFD42E	900	28.8	20.6	17.25	14.00
YCG30B21S	TMLE120C16MP11	21.0	XAHC30C	900	28.4	20.8	17.00	14.00
YCG30B21S	TMLE120C16MP11	21.0	XAHC36D	875	28.8	20.4	17.00	14.00
YCG30B21S	TMLE120C16MP11	21.0	XAHC42E	875	28.8	20.4	17.00	14.00
YCG30B21S	TMLE120C16MP11	24.5	XAHD42E	875	28.6	20.4	17.00	14.00
YCG30B21S	TMLV060A12MP12C	14.5	CF/CM/CU30A	875	27.6	21.2	15.50	13.00
YCG30B21S	TMLV060A12MP12C	14.5	CF/CM36A	800	28.0	20.8	16.50	13.50
YCG30B21S	TMLV060A12MP12C	17.5	XAF/XAUB30C	900	28.4	20.8	16.25	13.50
YCG30B21S	TMLV060A12MP12C	17.5	XAF/XAUB36D	875	28.6	20.4	16.75	13.75
YCG30B21S	TMLV060A12MP12C	14.5	XAFA30D	875	28.0	20.4	15.75	12.75
YCG30B21S	TMLV060A12MP12C	17.5	XAFB36E	875	28.6	20.4	16.75	13.75
YCG30B21S	TMLV060A12MP12C	17.5	XAHB30C	975	28.4	21.4	16.00	13.50
YCG30B21S	TMLV060A12MP12C	17.5	XAHB36D	875	28.4	20.4	16.25	13.50
YCG30B21S	TMLV060A12MP12C	21.0	XAHC42E	875	28.6	20.4	17.00	14.00
YCG30B21S	TMLV080B12MP12C	17.5	CF/CM/CU30B	900	27.8	21.6	16.00	13.25
YCG30B21S	TMLV080B12MP12C	17.5	CF/CM/CU36B	900	27.8	21.6	16.25	13.50
YCG30B21S	TMLV080B12MP12C	17.5	CF42B	900	28.2	21.4	16.50	13.75
YCG30B21S	TMLV080C16MP12C	21.0	CF/CM/CU30C	950	28.4	22.4	16.50	13.75
YCG30B21S	TMLV080C16MP12C	21.0	CF/CM/CU30D	950	28.4	22.4	17.00	14.00
YCG30B21S	TMLV080C16MP12C	21.0	CF/CM/CU36C	1050	29.0	24.0	17.00	14.00
YCG30B21S	TMLV080C16MP12C	21.0	CF/CM/CU36D	1050	29.0	24.0	17.25	14.25
YCG30B21S	TMLV080C16MP12C	21.0	CF/CM/CU42C	1050	29.4	23.8	17.00	14.25
YCG30B21S	TMLV080C16MP12C	21.0	CF/CM/CU42D	1050	29.4	23.8	17.25	14.25
YCG30B21S	TMLV100C16MP12C	21.0	CF/CM/CU30C	950	28.4	22.4	16.50	13.75
YCG30B21S	TMLV100C16MP12C	21.0	CF/CM/CU30D	950	28.4	22.4	17.00	14.00
YCG30B21S	TMLV100C16MP12C	21.0	CF/CM/CU36C	1050	29.0	24.0	17.00	14.00
YCG30B21S	TMLV100C16MP12C	21.0	CF/CM/CU36D	1050	29.0	24.0	17.25	14.25
YCG30B21S	TMLV100C16MP12C	21.0	CF/CM/CU42C	1050	29.4	23.8	17.00	14.25
YCG30B21S	TMLV100C16MP12C	21.0	CF/CM/CU42D	1050	29.4	23.8	17.25	14.25
YCG30B21S	TMLV100C16MP12C	21.0	XAF/XAUC42E	875	28.8	20.4	17.00	14.00
YCG30B21S	TMLV100C16MP12C	21.0	XAFC30C	875	28.4	20.6	16.50	13.75
YCG30B21S	TMLV100C16MP12C	21.0	XAFC36D	875	28.6	20.4	17.00	14.00
YCG30B21S	TMLV100C16MP12C	24.5	XAFD42E	875	28.6	20.4	17.00	14.00
YCG30B21S	TMLV100C16MP12C	21.0	XAHC30C	950	28.8	21.4	16.50	13.75
YCG30B21S	TMLV100C16MP12C	21.0	XAHC36D	875	28.6	20.4	17.00	14.00
YCG30B21S	TMLV100C16MP12C	21.0	XAHC42E	875	28.8	20.4	17.00	14.00
YCG30B21S	TMLV100C16MP12C	24.5	XAHD42E	875	28.6	20.4	17.00	14.00
YCG30B21S	TMLV120C20MP12C	21.0	XAF/XAUC42E	1150	29.6	23.2	17.00	14.00
YCG30B21S	TMLV120C20MP12C	21.0	XAFC30C	1150	29.2	23.2	16.75	14.00
YCG30B21S	TMLV120C20MP12C	21.0	XAFC36D	1150	29.6	23.0	16.75	14.00
YCG30B21S	TMLV120C20MP12C	24.5	XAFD42E	1150	29.6	23.2	17.00	14.00
YCG30B21S	TMLV120C20MP12C	21.0	XAHC30C	1150	29.2	23.2	16.50	13.75
YCG30B21S	TMLV120C20MP12C	21.0	XAHC36D	1125	29.4	22.8	16.75	14.00
YCG30B21S	TMLV120C20MP12C	21.0	XAHC42E	1125	29.6	23.0	16.75	14.00
YCG30B21S	TMLV120C20MP12C	24.5	XAHD42E	1125	29.6	23.0	16.75	14.00
YCG30B21S	TMLX060A12MP11	14.5	CF/CM/CU30A	875	27.4	21.0	16.00	13.50
YCG30B21S	TMLX060A12MP11	14.5	CF/CM36A	875	27.6	21.4	16.25	13.50
YCG30B21S	TMLX080B12MP11	17.5	CF/CM/CU30B	975	28.4	22.4	16.50	13.50
YCG30B21S	TMLX080B12MP11	17.5	CF/CM/CU36B	975	29.0	23.0	16.50	14.00
YCG30B21S	TMLX080B12MP11	17.5	CF42B	950	28.8	22.4	16.75	14.25
YCG30B21S	TMLX080C16MP11	21.0	CF/CM/CU30C	950	28.4	22.4	16.50	14.00
YCG30B21S	TMLX080C16MP11	21.0	CF/CM/CU30D	975	29.0	23.0	17.00	14.25
YCG30B21S	TMLX080C16MP11	21.0	CF/CM/CU36C	950	28.6	22.6	17.00	14.25
YCG30B21S	TMLX080C16MP11	21.0	CF/CM/CU36D	975	29.2	23.0	17.50	14.25
YCG30B21S	TMLX080C16MP11	21.0	CF/CM/CU42C	950	29.0	22.6	17.50	14.50
YCG30B21S	TMLX080C16MP11	21.0	CF/CM/CU42D	975	29.4	23.2	17.50	14.50
YCG30B21S	TMLX100C16MP11	21.0	CF/CM/CU30C	950	28.4	22.4	16.50	14.00
YCG30B21S	TMLX100C16MP11	21.0	CF/CM/CU30D	975	29.0	23.0	17.00	14.25
YCG30B21S	TMLX100C16MP11	21.0	CF/CM/CU36C	950	28.6	22.6	17.00	14.25

COOLING CAPACITY - With High Efficiency Motor Furnaces¹ (Continued)

UNIT MODEL	FURNACE		COIL MODEL ²	COOLING				
	MODEL	WIDTH		RATED CFM	NET MBH		SEER	EER
					TOTAL	SENS.		
YCG30B21S	TMLX100C16MP11	21.0	CF/CM/CU36D	975	29.2	23.0	17.50	14.25
YCG30B21S	TMLX100C16MP11	21.0	CF/CM/CU42C	950	29.0	22.6	17.50	14.50
YCG30B21S	TMLX100C16MP11	21.0	CF/CM/CU42D	975	29.4	23.2	17.50	14.50
YCG30B21S	TMLX100C20MP11	21.0	CF/CM/CU30C	1000	29.0	23.0	17.00	14.25
YCG30B21S	TMLX100C20MP11	21.0	CF/CM/CU30D	1000	29.0	23.0	17.00	14.25
YCG30B21S	TMLX100C20MP11	21.0	CF/CM/CU36C	1000	29.2	23.4	17.00	14.25
YCG30B21S	TMLX100C20MP11	21.0	CF/CM/CU36D	1000	29.2	23.4	17.50	14.75
YCG30B21S	TMLX100C20MP11	21.0	CF/CM/CU42C	1000	29.4	23.4	17.50	14.50
YCG30B21S	TMLX100C20MP11	21.0	CF/CM/CU42D	1000	29.4	23.4	17.50	14.75
YCG30B21S	TMLX120C20MP11	21.0	CF/CM/CU30C	1000	29.0	23.0	17.00	14.25
YCG30B21S	TMLX120C20MP11	21.0	CF/CM/CU30D	1000	29.0	23.0	17.00	14.25
YCG30B21S	TMLX120C20MP11	21.0	CF/CM/CU36C	1000	29.2	23.4	17.00	14.25
YCG30B21S	TMLX120C20MP11	21.0	CF/CM/CU36D	1000	29.2	23.4	17.50	14.75
YCG30B21S	TMLX120C20MP11	21.0	CF/CM/CU42C	1000	29.4	23.4	17.50	14.50
YCG30B21S	TMLX120C20MP11	21.0	CF/CM/CU42D	1000	29.4	23.4	17.50	14.75
YCG30B21S	TP9C060B12MP13C	17.5	CF/CM/CU30B	775	27.8	20.2	16.25	13.50
YCG30B21S	TP9C060B12MP13C	17.5	CF/CM/CU36B	775	27.8	20.6	16.50	13.75
YCG30B21S	TP9C060B12MP13C	17.5	CF/CM/CU36C	775	28.0	20.8	16.50	13.75
YCG30B21S	TP9C060B12MP13C	17.5	CF/CM/CU42C	775	28.2	20.4	17.00	14.00
YCG30B21S	TP9C060B12MP13C	17.5	CF/CM30C	775	27.8	20.2	16.25	13.50
YCG30B21S	TP9C060B12MP13C	17.5	CF42B	775	28.2	20.4	17.00	14.00
YCG30B21S	TP9C060B12MP13C	17.5	XAF/XAUB30C	1000	28.6	21.8	15.75	13.00
YCG30B21S	TP9C060B12MP13C	17.5	XAF/XAUB36D	875	28.6	20.4	16.25	13.50
YCG30B21S	TP9C060B12MP13C	21.0	XAF/XAUC42E	875	28.4	20.4	16.50	13.75
YCG30B21S	TP9C060B12MP13C	17.5	XAFB36E	875	28.6	20.4	16.25	13.50
YCG30B21S	TP9C060B12MP13C	21.0	XAFC30C	1000	28.4	21.8	15.75	13.00
YCG30B21S	TP9C060B12MP13C	21.0	XAFC36D	875	28.4	20.4	16.25	13.50
YCG30B21S	TP9C060B12MP13C	17.5	XAHB30C	1025	28.6	22.0	15.50	12.75
YCG30B21S	TP9C060B12MP13C	17.5	XAHB36D	875	28.6	20.4	16.00	13.50
YCG30B21S	TP9C060B12MP13C	21.0	XAHC30C	1000	28.4	21.8	15.75	13.00
YCG30B21S	TP9C060B12MP13C	21.0	XAHC36D	875	28.4	20.4	16.25	13.50
YCG30B21S	TP9C060B12MP13C	21.0	XAHC42E	875	28.4	20.4	16.25	13.50
YCG30B21S	TP9C080B12MP13C	17.5	CF/CM/CU30B	975	28.4	22.4	16.25	13.50
YCG30B21S	TP9C080B12MP13C	17.5	CF/CM/CU36B	975	29.0	23.0	16.50	13.75
YCG30B21S	TP9C080B12MP13C	17.5	CF42B	975	29.0	22.8	17.00	14.25
YCG30B21S	TP9C080B12MP13C	17.5	XAF/XAUB30C	975	28.8	21.6	16.25	13.50
YCG30B21S	TP9C080B12MP13C	17.5	XAF/XAUB36D	850	28.6	20.2	16.50	13.75
YCG30B21S	TP9C080B12MP13C	21.0	XAF/XAUC42E	875	28.6	20.4	16.75	14.00
YCG30B21S	TP9C080B12MP13C	17.5	XAFB36E	850	28.6	20.2	16.75	13.75
YCG30B21S	TP9C080B12MP13C	21.0	XAFC30C	975	28.4	21.6	16.25	13.50
YCG30B21S	TP9C080B12MP13C	21.0	XAFC36D	850	28.4	20.2	16.75	14.00
YCG30B21S	TP9C080B12MP13C	17.5	XAHB30C	975	28.6	21.4	16.25	13.50
YCG30B21S	TP9C080B12MP13C	17.5	XAHB36D	875	28.6	20.4	16.50	13.75
YCG30B21S	TP9C080B12MP13C	21.0	XAHC30C	975	28.2	21.4	16.25	13.50
YCG30B21S	TP9C080B12MP13C	21.0	XAHC36D	850	28.4	20.2	16.50	13.75
YCG30B21S	TP9C080B12MP13C	21.0	XAHC42E	875	28.6	20.4	16.75	13.75
YCG30B21S	TP9C080C16MP13C	21.0	CF/CM/CU36C	950	28.8	22.8	17.00	14.00
YCG30B21S	TP9C080C16MP13C	21.0	CF/CM/CU42C	950	29.2	22.6	17.25	14.25
YCG30B21S	TP9C080C16MP13C	21.0	CF/CM30C	950	28.2	22.2	16.50	13.75
YCG30B21S	TP9C080C16MP13C	21.0	CF/CM36D	950	28.4	22.4	16.75	14.00
YCG30B21S	TP9C080C16MP13C	21.0	CF/CM42D	950	28.8	22.4	17.00	14.25
YCG30B21S	TP9C080C16MP13C	21.0	XAF/XAUC42E	950	29.0	21.2	16.75	14.00
YCG30B21S	TP9C080C16MP13C	21.0	XAFC30C	950	28.8	21.4	16.50	13.75
YCG30B21S	TP9C080C16MP13C	21.0	XAFC36D	950	29.0	21.2	16.75	14.00
YCG30B21S	TP9C080C16MP13C	24.5	XAFD42E	950	28.8	21.2	17.00	14.00
YCG30B21S	TP9C080C16MP13C	21.0	XAHC30C	950	28.8	21.4	16.50	13.75
YCG30B21S	TP9C080C16MP13C	21.0	XAHC36D	950	29.0	21.2	16.50	13.75
YCG30B21S	TP9C080C16MP13C	21.0	XAHC42E	950	29.0	21.2	16.75	13.75
YCG30B21S	TP9C080C16MP13C	24.5	XAHD42E	950	28.8	21.2	16.75	14.00
YCG30B21S	TP9C100C16MP13C	21.0	CF/CM/CU30C	1000	28.6	22.6	16.50	14.00
YCG30B21S	TP9C100C16MP13C	21.0	CF/CM/CU30D	975	29.0	23.0	17.00	14.25
YCG30B21S	TP9C100C16MP13C	21.0	CF/CM/CU36C	1000	29.2	23.4	17.00	14.25
YCG30B21S	TP9C100C16MP13C	21.0	CF/CM/CU36D	975	29.2	23.0	17.25	14.50
YCG30B21S	TP9C100C16MP13C	21.0	CF/CM/CU42C	1000	29.4	23.4	17.50	14.50

COOLING CAPACITY - With High Efficiency Motor Furnaces¹ (Continued)

UNIT MODEL	FURNACE		COIL MODEL ²	COOLING				
	MODEL	WIDTH		RATED CFM	NET MBH		SEER	EER
					TOTAL	SENS.		
YCG30B21S	TP9C100C16MP13C	21.0	CF/CM/CU42D	975	29.4	23.0	17.50	14.50
YCG30B21S	TP9C100C16MP13C	21.0	XAF/XAUC42E	900	29.0	20.8	17.00	14.00
YCG30B21S	TP9C100C16MP13C	21.0	XAFC30C	900	28.6	20.8	16.50	13.75
YCG30B21S	TP9C100C16MP13C	21.0	XAFC36D	900	28.8	20.6	17.00	14.00
YCG30B21S	TP9C100C16MP13C	24.5	XAFD42E	900	28.8	20.8	17.00	14.00
YCG30B21S	TP9C100C16MP13C	21.0	XAHC30C	900	28.6	20.8	16.50	13.75
YCG30B21S	TP9C100C16MP13C	21.0	XAHC36D	900	28.8	20.6	17.00	14.00
YCG30B21S	TP9C100C16MP13C	21.0	XAHC42E	900	29.0	20.8	17.00	14.00
YCG30B21S	TP9C100C16MP13C	24.5	XAHD42E	900	28.8	20.8	17.00	14.00
YCG30B21S	TP9C100C20MP13C	21.0	CF/CM/CU42C	1100	29.4	24.4	16.75	14.00
YCG30B21S	TP9C100C20MP13C	21.0	CF/CM/CU42D	1100	29.4	24.4	17.00	14.00
YCG30B21S	TP9C100C20MP13C	21.0	XAF/XAUC42E	1100	29.6	22.8	16.50	13.75
YCG30B21S	TP9C100C20MP13C	21.0	XAFC30C	1100	29.0	22.8	16.25	13.50
YCG30B21S	TP9C100C20MP13C	21.0	XAFC36D	1100	29.2	22.4	16.50	13.75
YCG30B21S	TP9C100C20MP13C	24.5	XAFD42E	1100	29.4	22.8	16.75	14.00
YCG30B21S	TP9C100C20MP13C	21.0	XAHC30C	1100	28.8	22.6	16.25	13.50
YCG30B21S	TP9C100C20MP13C	21.0	XAHC36D	1125	29.4	22.8	16.25	13.50
YCG30B21S	TP9C100C20MP13C	21.0	XAHC42E	1125	29.6	23.0	16.50	13.75
YCG30B21S	TP9C100C20MP13C	24.5	XAHD42E	1100	29.4	22.8	16.50	13.75
YCG30B21S	TP9C120D20MP13C	24.5	CF/CM/CU36D	1050	29.2	24.0	17.50	14.25
YCG30B21S	TP9C120D20MP13C	24.5	CF/CM/CU42D	1050	29.6	24.0	17.50	14.50
YCG30B21S	TP9C120D20MP13C	24.5	XAFD42E	1050	29.6	22.2	17.25	14.25
YCG30B21S	TP9C120D20MP13C	24.5	XAHD42E	1050	29.6	22.2	17.00	14.00
YCG30B21S	TPLC060A12MP13C	14.5	CF/CM/CU30A	875	27.6	21.2	15.50	13.00
YCG30B21S	TPLC060A12MP13C	14.5	CF/CM36A	800	28.0	20.8	16.50	13.50
YCG30B21S	TPLC060A12MP13C	17.5	XAF/XAUB30C	900	28.4	20.8	16.25	13.50
YCG30B21S	TPLC060A12MP13C	17.5	XAF/XAUB36D	875	28.6	20.4	16.75	13.75
YCG30B21S	TPLC060A12MP13C	14.5	XAFA30D	875	28.0	20.4	15.75	12.75
YCG30B21S	TPLC060A12MP13C	17.5	XAFB36E	875	28.6	20.4	16.75	13.75
YCG30B21S	TPLC060A12MP13C	17.5	XAHB30C	975	28.4	21.4	16.00	13.50
YCG30B21S	TPLC060A12MP13C	17.5	XAHB36D	875	28.4	20.4	16.25	13.50
YCG30B21S	TPLC060A12MP13C	21.0	XAHC42E	875	28.6	20.4	17.00	14.00
YCG30B21S	TPLC080B12MP13C	17.5	CF/CM/CU30B	900	27.8	21.6	16.00	13.25
YCG30B21S	TPLC080B12MP13C	17.5	CF/CM/CU36B	900	27.8	21.6	16.25	13.50
YCG30B21S	TPLC080B12MP13C	17.5	CF42B	900	28.2	21.4	16.50	13.75
YCG30B21S	TPLC080B12MP13C	17.5	XAF/XAUB30C	1000	28.6	21.8	15.75	13.00
YCG30B21S	TPLC080B12MP13C	17.5	XAF/XAUB36D	900	28.6	20.6	16.25	13.50
YCG30B21S	TPLC080B12MP13C	21.0	XAF/XAUC42E	900	28.6	20.8	16.25	13.50
YCG30B21S	TPLC080B12MP13C	17.5	XAFB36E	900	28.8	20.8	16.25	13.50
YCG30B21S	TPLC080B12MP13C	21.0	XAFC30C	1000	28.4	21.8	15.50	13.00
YCG30B21S	TPLC080B12MP13C	21.0	XAFC36D	900	28.4	20.6	16.25	13.50
YCG30B21S	TPLC080B12MP13C	17.5	XAHB30C	1000	28.6	21.8	15.50	13.00
YCG30B21S	TPLC080B12MP13C	17.5	XAHB36D	900	28.6	20.6	16.00	13.25
YCG30B21S	TPLC080B12MP13C	21.0	XAHC30C	1000	28.4	21.8	15.50	12.75
YCG30B21S	TPLC080B12MP13C	21.0	XAHC36D	900	28.4	20.6	16.25	13.50
YCG30B21S	TPLC080B12MP13C	21.0	XAHC42E	900	28.6	20.8	16.25	13.50
YCG30B21S	TPLC080C16MP13C	21.0	CF/CM/CU30C	950	28.4	22.4	16.50	13.75
YCG30B21S	TPLC080C16MP13C	21.0	CF/CM/CU30D	950	28.4	22.4	17.00	14.00
YCG30B21S	TPLC080C16MP13C	21.0	CF/CM/CU36C	1050	29.0	24.0	17.00	14.00
YCG30B21S	TPLC080C16MP13C	21.0	CF/CM/CU36D	1050	29.0	24.0	17.25	14.25
YCG30B21S	TPLC080C16MP13C	21.0	CF/CM/CU42C	1050	29.4	23.8	17.00	14.25
YCG30B21S	TPLC080C16MP13C	21.0	CF/CM/CU42D	1050	29.4	23.8	17.25	14.25
YCG30B21S	TPLC080C16MP13C	21.0	XAF/XAUC42E	875	28.8	20.4	17.00	14.00
YCG30B21S	TPLC080C16MP13C	21.0	XAFC30C	875	28.4	20.6	16.50	13.75
YCG30B21S	TPLC080C16MP13C	21.0	XAFC36D	875	28.6	20.4	17.00	14.00
YCG30B21S	TPLC080C16MP13C	24.5	XAFD42E	875	28.6	20.4	17.00	14.00
YCG30B21S	TPLC080C16MP13C	21.0	XAHC30C	950	28.8	21.4	16.50	13.75
YCG30B21S	TPLC080C16MP13C	21.0	XAHC36D	875	28.6	20.4	17.00	14.00
YCG30B21S	TPLC080C16MP13C	21.0	XAHC42E	875	28.8	20.4	17.00	14.00
YCG30B21S	TPLC080C16MP13C	24.5	XAHD42E	875	28.6	20.4	17.00	14.00
YCG30B21S	TPLC100C16MP13C	21.0	CF/CM/CU30C	950	28.4	22.4	16.50	13.75
YCG30B21S	TPLC100C16MP13C	21.0	CF/CM/CU30D	950	28.4	22.4	17.00	14.00
YCG30B21S	TPLC100C16MP13C	21.0	CF/CM/CU36C	1050	29.0	24.0	17.00	14.00
YCG30B21S	TPLC100C16MP13C	21.0	CF/CM/CU36D	1050	29.0	24.0	17.25	14.25

COOLING CAPACITY - With High Efficiency Motor Furnaces¹ (Continued)

UNIT MODEL	FURNACE		COIL MODEL ²	COOLING				
	MODEL	WIDTH		RATED CFM	NET MBH		SEER	EER
					TOTAL	SENS.		
YCG30B21S	TPLC100C16MP13C	21.0	CF/CM/CU42C	1050	29.4	23.8	17.00	14.25
YCG30B21S	TPLC100C16MP13C	21.0	CF/CM/CU42D	1050	29.4	23.8	17.25	14.25
YCG30B21S	TPLC100C16MP13C	21.0	XAF/XAUC42E	875	28.8	20.4	17.00	14.00
YCG30B21S	TPLC100C16MP13C	21.0	XAFC30C	875	28.4	20.6	16.50	13.75
YCG30B21S	TPLC100C16MP13C	21.0	XAFC36D	875	28.6	20.4	17.00	14.00
YCG30B21S	TPLC100C16MP13C	24.5	XAFD42E	875	28.6	20.4	17.00	14.00
YCG30B21S	TPLC100C16MP13C	21.0	XAHC30C	950	28.8	21.4	16.50	13.75
YCG30B21S	TPLC100C16MP13C	21.0	XAHC36D	875	28.6	20.4	17.00	14.00
YCG30B21S	TPLC100C16MP13C	21.0	XAHC42E	875	28.8	20.4	17.00	14.00
YCG30B21S	TPLC100C16MP13C	24.5	XAHD42E	875	28.6	20.4	17.00	14.00
YCG30B21S	TPLC100C20MP13C	21.0	XAF/XAUC42E	1150	29.6	23.2	17.00	14.00
YCG30B21S	TPLC100C20MP13C	21.0	XAFC30C	1150	29.2	23.2	16.75	14.00
YCG30B21S	TPLC100C20MP13C	21.0	XAFC36D	1150	29.6	23.0	16.75	14.00
YCG30B21S	TPLC100C20MP13C	24.5	XAFD42E	1150	29.6	23.2	17.00	14.00
YCG30B21S	TPLC100C20MP13C	21.0	XAHC30C	1150	29.2	23.2	16.50	13.75
YCG30B21S	TPLC100C20MP13C	21.0	XAHC36D	1125	29.4	22.8	16.75	14.00
YCG30B21S	TPLC100C20MP13C	21.0	XAHC42E	1125	29.6	23.0	16.75	14.00
YCG30B21S	TPLC100C20MP13C	24.5	XAHD42E	1125	29.6	23.0	16.75	14.00
YCG30B21S	TPLC120C20MP13C	21.0	XAF/XAUC42E	1150	29.6	23.2	17.00	14.00
YCG30B21S	TPLC120C20MP13C	21.0	XAFC30C	1150	29.2	23.2	16.75	14.00
YCG30B21S	TPLC120C20MP13C	21.0	XAFC36D	1150	29.6	23.0	16.75	14.00
YCG30B21S	TPLC120C20MP13C	24.5	XAFD42E	1150	29.6	23.2	17.00	14.00
YCG30B21S	TPLC120C20MP13C	21.0	XAHC30C	1150	29.2	23.2	16.50	13.75
YCG30B21S	TPLC120C20MP13C	21.0	XAHC36D	1125	29.4	22.8	16.75	14.00
YCG30B21S	TPLC120C20MP13C	21.0	XAHC42E	1125	29.6	23.0	16.75	14.00
YCG30B21S	TPLC120C20MP13C	24.5	XAHD42E	1125	29.6	23.0	16.75	14.00
YCG30B21S	YP9C060B12MP13C	17.5	CF/CM/CU30B	775	27.8	20.2	16.25	13.50
YCG30B21S	YP9C060B12MP13C	17.5	CF/CM/CU36B	775	27.8	20.6	16.50	13.75
YCG30B21S	YP9C060B12MP13C	17.5	CF/CM/CU36C	775	28.0	20.8	16.50	13.75
YCG30B21S	YP9C060B12MP13C	17.5	CF/CM/CU42C	775	28.2	20.4	17.00	14.00
YCG30B21S	YP9C060B12MP13C	17.5	CF/CM30C	775	27.8	20.2	16.25	13.50
YCG30B21S	YP9C060B12MP13C	17.5	CF42B	775	28.2	20.4	17.00	14.00
YCG30B21S	YP9C060B12MP13C	17.5	XAF/XAUB30C	1000	28.6	21.8	15.75	13.00
YCG30B21S	YP9C060B12MP13C	17.5	XAF/XAUB36D	875	28.6	20.4	16.25	13.50
YCG30B21S	YP9C060B12MP13C	21.0	XAF/XAUC42E	875	28.4	20.4	16.50	13.75
YCG30B21S	YP9C060B12MP13C	17.5	XAFB36E	875	28.6	20.4	16.25	13.50
YCG30B21S	YP9C060B12MP13C	21.0	XAFC30C	1000	28.4	21.8	15.75	13.00
YCG30B21S	YP9C060B12MP13C	21.0	XAFC36D	875	28.4	20.4	16.25	13.50
YCG30B21S	YP9C060B12MP13C	17.5	XAHB30C	1025	28.6	22.0	15.50	12.75
YCG30B21S	YP9C060B12MP13C	17.5	XAHB36D	875	28.6	20.4	16.00	13.50
YCG30B21S	YP9C060B12MP13C	21.0	XAHC30C	1000	28.4	21.8	15.75	13.00
YCG30B21S	YP9C060B12MP13C	21.0	XAHC36D	875	28.4	20.4	16.25	13.50
YCG30B21S	YP9C060B12MP13C	21.0	XAHC42E	875	28.4	20.4	16.25	13.50
YCG30B21S	YP9C080B12MP13C	17.5	CF/CM/CU30B	975	28.4	22.4	16.25	13.50
YCG30B21S	YP9C080B12MP13C	17.5	CF/CM/CU36B	975	29.0	23.0	16.50	13.75
YCG30B21S	YP9C080B12MP13C	17.5	CF42B	975	29.0	22.8	17.00	14.25
YCG30B21S	YP9C080B12MP13C	17.5	XAF/XAUB30C	975	28.8	21.6	16.25	13.50
YCG30B21S	YP9C080B12MP13C	17.5	XAF/XAUB36D	850	28.6	20.2	16.50	13.75
YCG30B21S	YP9C080B12MP13C	21.0	XAF/XAUC42E	875	28.6	20.4	16.75	14.00
YCG30B21S	YP9C080B12MP13C	17.5	XAFB36E	850	28.6	20.2	16.75	13.75
YCG30B21S	YP9C080B12MP13C	21.0	XAFC30C	975	28.4	21.6	16.25	13.50
YCG30B21S	YP9C080B12MP13C	21.0	XAFC36D	850	28.4	20.2	16.75	14.00
YCG30B21S	YP9C080B12MP13C	17.5	XAHB30C	975	28.6	21.4	16.25	13.50
YCG30B21S	YP9C080B12MP13C	17.5	XAHB36D	875	28.6	20.4	16.50	13.75
YCG30B21S	YP9C080B12MP13C	21.0	XAHC30C	975	28.2	21.4	16.25	13.50
YCG30B21S	YP9C080B12MP13C	21.0	XAHC36D	850	28.4	20.2	16.50	13.75
YCG30B21S	YP9C080B12MP13C	21.0	XAHC42E	875	28.6	20.4	16.75	13.75
YCG30B21S	YP9C080C16MP13C	21.0	CF/CM/CU36C	950	28.8	22.8	17.00	14.00
YCG30B21S	YP9C080C16MP13C	21.0	CF/CM/CU42C	950	29.2	22.6	17.25	14.25
YCG30B21S	YP9C080C16MP13C	21.0	CF/CM30C	950	28.2	22.2	16.50	13.75
YCG30B21S	YP9C080C16MP13C	21.0	CF/CM36D	950	28.4	22.4	16.75	14.00
YCG30B21S	YP9C080C16MP13C	21.0	CF/CM42D	950	28.8	22.4	17.00	14.25
YCG30B21S	YP9C080C16MP13C	21.0	XAF/XAUC42E	950	29.0	21.2	16.75	14.00
YCG30B21S	YP9C080C16MP13C	21.0	XAFC30C	950	28.8	21.4	16.50	13.75

COOLING CAPACITY - With High Efficiency Motor Furnaces¹ (Continued)

UNIT MODEL	FURNACE		COIL MODEL ²	COOLING				
	MODEL	WIDTH		RATED CFM	NET MBH		SEER	EER
					TOTAL	SENS.		
YCG30B21S	YP9C080C16MP13C	21.0	XAFC36D	950	29.0	21.2	16.75	14.00
YCG30B21S	YP9C080C16MP13C	24.5	XAFD42E	950	28.8	21.2	17.00	14.00
YCG30B21S	YP9C080C16MP13C	21.0	XAHC30C	950	28.8	21.4	16.50	13.75
YCG30B21S	YP9C080C16MP13C	21.0	XAHC36D	950	29.0	21.2	16.50	13.75
YCG30B21S	YP9C080C16MP13C	21.0	XAHC42E	950	29.0	21.2	16.75	13.75
YCG30B21S	YP9C080C16MP13C	24.5	XAHD42E	950	28.8	21.2	16.75	14.00
YCG30B21S	YP9C100C16MP13C	21.0	CF/CM/CU30C	1000	28.6	22.6	16.50	14.00
YCG30B21S	YP9C100C16MP13C	21.0	CF/CM/CU30D	975	29.0	23.0	17.00	14.25
YCG30B21S	YP9C100C16MP13C	21.0	CF/CM/CU36C	1000	29.2	23.4	17.00	14.25
YCG30B21S	YP9C100C16MP13C	21.0	CF/CM/CU36D	975	29.2	23.0	17.25	14.50
YCG30B21S	YP9C100C16MP13C	21.0	CF/CM/CU42C	1000	29.4	23.4	17.50	14.50
YCG30B21S	YP9C100C16MP13C	21.0	CF/CM/CU42D	975	29.4	23.0	17.50	14.50
YCG30B21S	YP9C100C16MP13C	21.0	XAF/XAUC42E	900	29.0	20.8	17.00	14.00
YCG30B21S	YP9C100C16MP13C	21.0	XAFC30C	900	28.6	20.8	16.50	13.75
YCG30B21S	YP9C100C16MP13C	21.0	XAFC36D	900	28.8	20.6	17.00	14.00
YCG30B21S	YP9C100C16MP13C	24.5	XAFD42E	900	28.8	20.8	17.00	14.00
YCG30B21S	YP9C100C16MP13C	21.0	XAHC30C	900	28.6	20.8	16.50	13.75
YCG30B21S	YP9C100C16MP13C	21.0	XAHC36D	900	28.8	20.6	17.00	14.00
YCG30B21S	YP9C100C16MP13C	21.0	XAHC42E	900	29.0	20.8	17.00	14.00
YCG30B21S	YP9C100C16MP13C	24.5	XAHD42E	900	28.8	20.8	17.00	14.00
YCG30B21S	YP9C100C20MP13C	21.0	CF/CM/CU42C	1100	29.4	24.4	16.75	14.00
YCG30B21S	YP9C100C20MP13C	21.0	CF/CM/CU42D	1100	29.4	24.4	17.00	14.00
YCG30B21S	YP9C100C20MP13C	21.0	XAF/XAUC42E	1100	29.6	22.8	16.50	13.75
YCG30B21S	YP9C100C20MP13C	21.0	XAFC30C	1100	29.0	22.8	16.25	13.50
YCG30B21S	YP9C100C20MP13C	21.0	XAFC36D	1100	29.2	22.4	16.50	13.75
YCG30B21S	YP9C100C20MP13C	24.5	XAFD42E	1100	29.4	22.8	16.75	14.00
YCG30B21S	YP9C100C20MP13C	21.0	XAHC30C	1100	28.8	22.6	16.25	13.50
YCG30B21S	YP9C100C20MP13C	21.0	XAHC36D	1125	29.4	22.8	16.25	13.50
YCG30B21S	YP9C100C20MP13C	21.0	XAHC42E	1125	29.6	23.0	16.50	13.75
YCG30B21S	YP9C100C20MP13C	24.5	XAHD42E	1100	29.4	22.8	16.50	13.75
YCG30B21S	YP9C120D20MP13C	24.5	CF/CM/CU36D	1050	29.2	24.0	17.50	14.25
YCG30B21S	YP9C120D20MP13C	24.5	CF/CM/CU42D	1050	29.6	24.0	17.50	14.50
YCG30B21S	YP9C120D20MP13C	24.5	XAFD42E	1050	29.6	22.2	17.25	14.25
YCG30B21S	YP9C120D20MP13C	24.5	XAHD42E	1050	29.6	22.2	17.00	14.00
YCG30B21S	YPLC060A12MP13C	14.5	CF/CM/CU30A	875	27.6	21.2	15.50	13.00
YCG30B21S	YPLC060A12MP13C	14.5	CF/CM36A	800	28.0	20.8	16.50	13.50
YCG30B21S	YPLC060A12MP13C	17.5	XAF/XAUB30C	900	28.4	20.8	16.25	13.50
YCG30B21S	YPLC060A12MP13C	17.5	XAF/XAUB36D	875	28.6	20.4	16.75	13.75
YCG30B21S	YPLC060A12MP13C	14.5	XAF30D	875	28.0	20.4	15.75	12.75
YCG30B21S	YPLC060A12MP13C	17.5	XAFB36E	875	28.6	20.4	16.75	13.75
YCG30B21S	YPLC060A12MP13C	17.5	XAHB30C	975	28.4	21.4	16.00	13.50
YCG30B21S	YPLC060A12MP13C	17.5	XAHB36D	875	28.4	20.4	16.25	13.50
YCG30B21S	YPLC060A12MP13C	21.0	XAHC42E	875	28.6	20.4	17.00	14.00
YCG30B21S	YPLC080B12MP13C	17.5	CF/CM/CU30B	900	27.8	21.6	16.00	13.25
YCG30B21S	YPLC080B12MP13C	17.5	CF/CM/CU36B	900	27.8	21.6	16.25	13.50
YCG30B21S	YPLC080B12MP13C	17.5	CF42B	900	28.2	21.4	16.50	13.75
YCG30B21S	YPLC080B12MP13C	17.5	XAF/XAUB30C	1000	28.6	21.8	15.75	13.00
YCG30B21S	YPLC080B12MP13C	17.5	XAF/XAUB36D	900	28.6	20.6	16.25	13.50
YCG30B21S	YPLC080B12MP13C	21.0	XAF/XAUC42E	900	28.6	20.8	16.25	13.50
YCG30B21S	YPLC080B12MP13C	17.5	XAFB36E	900	28.8	20.8	16.25	13.50
YCG30B21S	YPLC080B12MP13C	21.0	XAFC30C	1000	28.4	21.8	15.50	13.00
YCG30B21S	YPLC080B12MP13C	21.0	XAFC36D	900	28.4	20.6	16.25	13.50
YCG30B21S	YPLC080B12MP13C	17.5	XAHB30C	1000	28.6	21.8	15.50	13.00
YCG30B21S	YPLC080B12MP13C	17.5	XAHB36D	900	28.6	20.6	16.00	13.25
YCG30B21S	YPLC080B12MP13C	21.0	XAHC30C	1000	28.4	21.8	15.50	12.75
YCG30B21S	YPLC080B12MP13C	21.0	XAHC36D	900	28.4	20.6	16.25	13.50
YCG30B21S	YPLC080B12MP13C	21.0	XAHC42E	900	28.6	20.8	16.25	13.50
YCG30B21S	YPLC080C16MP13C	21.0	CF/CM/CU30C	950	28.4	22.4	16.50	13.75
YCG30B21S	YPLC080C16MP13C	21.0	CF/CM/CU30D	950	28.4	22.4	17.00	14.00
YCG30B21S	YPLC080C16MP13C	21.0	CF/CM/CU36C	1050	29.0	24.0	17.00	14.00
YCG30B21S	YPLC080C16MP13C	21.0	CF/CM/CU36D	1050	29.0	24.0	17.25	14.25
YCG30B21S	YPLC080C16MP13C	21.0	CF/CM/CU42C	1050	29.4	23.8	17.00	14.25
YCG30B21S	YPLC080C16MP13C	21.0	CF/CM/CU42D	1050	29.4	23.8	17.25	14.25
YCG30B21S	YPLC080C16MP13C	21.0	XAF/XAUC42E	875	28.8	20.4	17.00	14.00

COOLING CAPACITY - With High Efficiency Motor Furnaces¹ (Continued)

UNIT MODEL	FURNACE		COIL MODEL ²	COOLING				
	MODEL	WIDTH		RATED CFM	NET MBH		SEER	EER
					TOTAL	SENS.		
YCG30B21S	YPLC080C16MP13C	21.0	XAFC30C	875	28.4	20.6	16.50	13.75
YCG30B21S	YPLC080C16MP13C	21.0	XAFC36D	875	28.6	20.4	17.00	14.00
YCG30B21S	YPLC080C16MP13C	24.5	XAFD42E	875	28.6	20.4	17.00	14.00
YCG30B21S	YPLC080C16MP13C	21.0	XAHC30C	950	28.8	21.4	16.50	13.75
YCG30B21S	YPLC080C16MP13C	21.0	XAHC36D	875	28.6	20.4	17.00	14.00
YCG30B21S	YPLC080C16MP13C	21.0	XAHC42E	875	28.8	20.4	17.00	14.00
YCG30B21S	YPLC080C16MP13C	24.5	XAHD42E	875	28.6	20.4	17.00	14.00
YCG30B21S	YPLC100C16MP13C	21.0	CF/CM/CU30C	950	28.4	22.4	16.50	13.75
YCG30B21S	YPLC100C16MP13C	21.0	CF/CM/CU30D	950	28.4	22.4	17.00	14.00
YCG30B21S	YPLC100C16MP13C	21.0	CF/CM/CU36C	1050	29.0	24.0	17.00	14.00
YCG30B21S	YPLC100C16MP13C	21.0	CF/CM/CU36D	1050	29.0	24.0	17.25	14.25
YCG30B21S	YPLC100C16MP13C	21.0	CF/CM/CU42C	1050	29.4	23.8	17.00	14.25
YCG30B21S	YPLC100C16MP13C	21.0	CF/CM/CU42D	1050	29.4	23.8	17.25	14.25
YCG30B21S	YPLC100C16MP13C	21.0	XAF/XAUC42E	875	28.8	20.4	17.00	14.00
YCG30B21S	YPLC100C16MP13C	21.0	XAFC30C	875	28.4	20.6	16.50	13.75
YCG30B21S	YPLC100C16MP13C	21.0	XAFC36D	875	28.6	20.4	17.00	14.00
YCG30B21S	YPLC100C16MP13C	24.5	XAFD42E	875	28.6	20.4	17.00	14.00
YCG30B21S	YPLC100C16MP13C	21.0	XAHC30C	950	28.8	21.4	16.50	13.75
YCG30B21S	YPLC100C16MP13C	21.0	XAHC36D	875	28.6	20.4	17.00	14.00
YCG30B21S	YPLC100C16MP13C	21.0	XAHC42E	875	28.8	20.4	17.00	14.00
YCG30B21S	YPLC100C16MP13C	24.5	XAHD42E	875	28.6	20.4	17.00	14.00
YCG30B21S	YPLC100C20MP13C	21.0	XAF/XAUC42E	1150	29.6	23.2	17.00	14.00
YCG30B21S	YPLC100C20MP13C	21.0	XAFC30C	1150	29.2	23.2	16.75	14.00
YCG30B21S	YPLC100C20MP13C	21.0	XAFC36D	1150	29.6	23.0	16.75	14.00
YCG30B21S	YPLC100C20MP13C	24.5	XAFD42E	1150	29.6	23.2	17.00	14.00
YCG30B21S	YPLC100C20MP13C	21.0	XAHC30C	1150	29.2	23.2	16.50	13.75
YCG30B21S	YPLC100C20MP13C	21.0	XAHC36D	1125	29.4	22.8	16.75	14.00
YCG30B21S	YPLC100C20MP13C	21.0	XAHC42E	1125	29.6	23.0	16.75	14.00
YCG30B21S	YPLC100C20MP13C	24.5	XAHD42E	1125	29.6	23.0	16.75	14.00
YCG30B21S	YPLC120C20MP13C	21.0	XAF/XAUC42E	1150	29.6	23.2	17.00	14.00
YCG30B21S	YPLC120C20MP13C	21.0	XAFC30C	1150	29.2	23.2	16.75	14.00
YCG30B21S	YPLC120C20MP13C	21.0	XAFC36D	1150	29.6	23.0	16.75	14.00
YCG30B21S	YPLC120C20MP13C	24.5	XAFD42E	1150	29.6	23.2	17.00	14.00
YCG30B21S	YPLC120C20MP13C	21.0	XAHC30C	1150	29.2	23.2	16.50	13.75
YCG30B21S	YPLC120C20MP13C	21.0	XAHC36D	1125	29.4	22.8	16.75	14.00
YCG30B21S	YPLC120C20MP13C	21.0	XAHC42E	1125	29.6	23.0	16.75	14.00
YCG30B21S	YPLC120C20MP13C	24.5	XAHD42E	1125	29.6	23.0	16.75	14.00
YCG36B21S	TL8E060A12UH11	14.5	CF/CM/CU36B	1025	34.6	25.6	15.50	12.75
YCG36B21S	TL8E060A12UH11	14.5	CF42B	1025	35.4	25.6	16.00	13.25
YCG36B21S	TL8E060A12UH11	17.5	XAF/XAUB36D	1025	34.6	25.4	15.50	12.75
YCG36B21S	TL8E060A12UH11	17.5	XAFB36E	1000	35.4	25.2	15.50	13.00
YCG36B21S	TL8E060A12UH11	17.5	XAHB36D	1150	34.6	26.8	15.00	12.75
YCG36B21S	TL8E080C16UH11	21.0	CF/CM/CU36C	1125	34.6	26.4	16.00	13.50
YCG36B21S	TL8E080C16UH11	21.0	CF/CM/CU42C	1125	35.4	26.4	16.50	13.75
YCG36B21S	TL8E080C16UH11	21.0	CF/CM/CU48C	1125	36.0	27.2	16.75	13.75
YCG36B21S	TL8E080C16UH11	21.0	CF/CM/CU48D	1125	36.0	27.2	16.50	13.75
YCG36B21S	TL8E080C16UH11	21.0	CF/CM/CU60C	1125	36.0	26.8	16.50	13.75
YCG36B21S	TL8E080C16UH11	21.0	CF/CM/CU60D	1125	36.0	26.8	16.50	13.75
YCG36B21S	TL8E080C16UH11	21.0	CF/CM36D	1125	34.6	26.4	16.00	13.50
YCG36B21S	TL8E080C16UH11	21.0	CF/CM42D	1125	35.4	26.4	16.50	13.75
YCG36B21S	TL8E080C16UH11	21.0	XAF/XAUC42E	1075	35.4	26.0	16.25	13.50
YCG36B21S	TL8E080C16UH11	21.0	XAF/XAUC48F	1100	36.0	26.0	16.50	13.75
YCG36B21S	TL8E080C16UH11	21.0	XAFC36D	1075	34.6	26.0	16.00	13.50
YCG36B21S	TL8E080C16UH11	24.5	XAFD42E	1075	35.4	26.0	16.25	13.50
YCG36B21S	TL8E080C16UH11	24.5	XAFD48F	1100	35.8	26.0	16.50	13.75
YCG36B21S	TL8E080C16UH11	21.0	XAHC36D	1050	34.6	25.8	16.00	13.50
YCG36B21S	TL8E080C16UH11	21.0	XAHC42E	1050	35.4	25.8	16.25	13.50
YCG36B21S	TL8E080C16UH11	21.0	XAHC48F	1100	36.0	26.0	16.50	13.75
YCG36B21S	TL8E080C16UH11	24.5	XAHD42E	1075	35.4	26.0	16.25	13.50
YCG36B21S	TL8E080C16UH11	24.5	XAHD48F	1100	35.8	26.0	16.50	13.75
YCG36B21S	TL8E100C20UH11	21.0	CF/CM/CU36C	1050	34.6	25.6	16.25	13.50
YCG36B21S	TL8E100C20UH11	21.0	CF/CM/CU42C	1050	35.4	26.0	16.75	13.75
YCG36B21S	TL8E100C20UH11	21.0	CF/CM/CU48C	1050	36.0	26.4	17.00	14.00
YCG36B21S	TL8E100C20UH11	21.0	CF/CM/CU48D	1050	36.0	26.4	16.75	14.00

COOLING CAPACITY - With High Efficiency Motor Furnaces¹ (Continued)

UNIT MODEL	FURNACE		COIL MODEL ²	COOLING				
	MODEL	WIDTH		RATED CFM	NET MBH		SEER	EER
					TOTAL	SENS.		
YCG36B21S	TL8E100C20UH11	21.0	CF/CM/CU60C	1050	36.0	26.4	16.75	14.00
YCG36B21S	TL8E100C20UH11	21.0	CF/CM/CU60D	1075	36.0	26.6	16.75	14.00
YCG36B21S	TL8E100C20UH11	21.0	CF/CM36D	1050	34.6	25.6	16.50	13.75
YCG36B21S	TL8E100C20UH11	21.0	CF/CM42D	1050	35.4	26.0	16.75	14.00
YCG36B21S	TL8E100C20UH11	21.0	XAF/XAUC42E	1000	35.4	25.2	16.50	13.75
YCG36B21S	TL8E100C20UH11	21.0	XAF/XAUC48F	1025	36.0	25.2	16.75	13.75
YCG36B21S	TL8E100C20UH11	21.0	XAFC36D	1000	34.6	25.2	16.25	13.50
YCG36B21S	TL8E100C20UH11	24.5	XAFD42E	1000	35.4	25.2	16.75	13.75
YCG36B21S	TL8E100C20UH11	24.5	XAFD48F	1025	35.8	25.2	16.75	14.00
YCG36B21S	TL8E100C20UH11	21.0	XAHC36D	1175	34.6	27.0	16.25	13.50
YCG36B21S	TL8E100C20UH11	21.0	XAHC42E	1175	35.4	27.2	16.25	13.50
YCG36B21S	TL8E100C20UH11	21.0	XAHC48F	1025	36.0	25.2	16.75	13.75
YCG36B21S	TL8E100C20UH11	24.5	XAHD42E	1200	35.4	27.6	16.50	13.75
YCG36B21S	TL8E100C20UH11	24.5	XAHD48F	1025	35.8	25.2	16.75	13.75
YCG36B21S	TL9E060B12UH11	17.5	CF/CM/CU36B	1025	34.6	25.6	15.25	12.50
YCG36B21S	TL9E060B12UH11	17.5	CF/CM/CU36C	1050	34.6	25.6	15.25	12.50
YCG36B21S	TL9E060B12UH11	17.5	CF/CM/CU42C	1050	35.4	26.0	15.75	13.00
YCG36B21S	TL9E060B12UH11	17.5	CF/CM/CU48C	1050	36.0	26.4	15.75	13.00
YCG36B21S	TL9E060B12UH11	17.5	CF/CM/CU60C	1050	36.0	26.4	15.50	12.75
YCG36B21S	TL9E060B12UH11	17.5	CF42B	1025	35.4	25.8	15.50	12.75
YCG36B21S	TL9E060B12UH11	17.5	XAF/XAUB36D	1000	34.6	25.2	15.25	12.50
YCG36B21S	TL9E060B12UH11	21.0	XAF/XAUC42E	1025	35.4	25.6	15.75	13.00
YCG36B21S	TL9E060B12UH11	21.0	XAF/XAUC48F	1025	35.8	25.2	15.75	13.00
YCG36B21S	TL9E060B12UH11	17.5	XAFB36E	1000	35.4	25.2	15.50	12.75
YCG36B21S	TL9E060B12UH11	21.0	XAFC36D	1025	34.6	25.6	15.25	12.50
YCG36B21S	TL9E060B12UH11	21.0	XAHC36D	1000	34.6	25.2	15.25	12.50
YCG36B21S	TL9E060B12UH11	21.0	XAHC42E	1000	35.4	25.2	15.50	12.75
YCG36B21S	TL9E060B12UH11	21.0	XAHC48F	1025	35.8	25.2	15.75	13.00
YCG36B21S	TL9E080C16UH11	21.0	CF/CM/CU36C	1075	34.6	26.0	15.75	13.00
YCG36B21S	TL9E080C16UH11	21.0	CF/CM/CU42C	1075	35.4	26.4	16.25	13.50
YCG36B21S	TL9E080C16UH11	21.0	CF/CM/CU48C	1075	36.0	26.8	16.50	13.75
YCG36B21S	TL9E080C16UH11	21.0	CF/CM/CU48D	1100	36.0	27.2	16.50	13.50
YCG36B21S	TL9E080C16UH11	21.0	CF/CM/CU60C	1075	36.0	26.6	16.25	13.50
YCG36B21S	TL9E080C16UH11	21.0	CF/CM/CU60D	1100	36.0	26.6	16.25	13.50
YCG36B21S	TL9E080C16UH11	21.0	CF/CM36D	1100	34.6	25.8	16.00	13.50
YCG36B21S	TL9E080C16UH11	21.0	CF/CM42D	1100	35.4	26.2	16.25	13.50
YCG36B21S	TL9E080C16UH11	21.0	XAF/XAUC42E	1050	35.4	25.8	16.25	13.50
YCG36B21S	TL9E080C16UH11	21.0	XAF/XAUC48F	1050	36.0	25.6	16.25	13.50
YCG36B21S	TL9E080C16UH11	21.0	XAFC36D	1050	34.6	25.8	15.75	13.00
YCG36B21S	TL9E080C16UH11	24.5	XAFD42E	1050	35.4	25.8	16.25	13.50
YCG36B21S	TL9E080C16UH11	24.5	XAFD48F	1075	35.8	25.8	16.25	13.50
YCG36B21S	TL9E080C16UH11	21.0	XAHC36D	1025	34.6	25.6	15.75	13.00
YCG36B21S	TL9E080C16UH11	21.0	XAHC42E	1025	35.4	25.6	16.00	13.50
YCG36B21S	TL9E080C16UH11	21.0	XAHC48F	1075	36.0	25.8	16.25	13.50
YCG36B21S	TL9E080C16UH11	24.5	XAHD42E	1050	35.4	25.8	16.25	13.50
YCG36B21S	TL9E080C16UH11	24.5	XAHD48F	1050	35.8	25.6	16.25	13.50
YCG36B21S	TL9E100C20UH11	21.0	CF/CM/CU36C	1125	34.6	26.4	16.25	13.50
YCG36B21S	TL9E100C20UH11	21.0	CF/CM/CU42C	1125	35.4	26.4	16.50	13.75
YCG36B21S	TL9E100C20UH11	21.0	CF/CM/CU48C	1125	36.0	27.2	16.75	14.00
YCG36B21S	TL9E100C20UH11	21.0	CF/CM/CU48D	1150	36.0	27.4	16.75	14.00
YCG36B21S	TL9E100C20UH11	21.0	CF/CM/CU60C	1125	36.0	26.8	16.75	13.75
YCG36B21S	TL9E100C20UH11	21.0	CF/CM/CU60D	1150	36.0	26.8	16.75	13.75
YCG36B21S	TL9E100C20UH11	21.0	CF/CM36D	1150	34.6	26.6	16.25	13.50
YCG36B21S	TL9E100C20UH11	21.0	CF/CM42D	1150	35.4	26.8	16.75	13.75
YCG36B21S	TL9E100C20UH11	21.0	XAF/XAUC42E	1075	35.4	26.2	16.50	13.75
YCG36B21S	TL9E100C20UH11	21.0	XAF/XAUC48F	1100	36.0	26.0	16.50	13.75
YCG36B21S	TL9E100C20UH11	21.0	XAFC36D	1075	34.6	26.0	16.25	13.50
YCG36B21S	TL9E100C20UH11	24.5	XAFD42E	1100	35.4	26.4	16.50	13.75
YCG36B21S	TL9E100C20UH11	24.5	XAFD48F	1100	35.8	26.0	16.50	13.75
YCG36B21S	TL9E100C20UH11	21.0	XAHC36D	1050	34.6	25.8	16.25	13.50
YCG36B21S	TL9E100C20UH11	21.0	XAHC42E	1050	35.4	25.8	16.50	13.75
YCG36B21S	TL9E100C20UH11	21.0	XAHC48F	1125	36.0	26.4	16.75	13.75
YCG36B21S	TL9E100C20UH11	24.5	XAHD42E	1075	35.4	26.2	16.50	13.75
YCG36B21S	TL9E100C20UH11	24.5	XAHD48F	1100	35.8	26.0	16.50	13.75

COOLING CAPACITY - With High Efficiency Motor Furnaces¹ (Continued)

UNIT MODEL	FURNACE		COIL MODEL ²	COOLING				
	MODEL	WIDTH		RATED CFM	NET MBH		SEER	EER
					TOTAL	SENS.		
YCG36B21S	TM8E040A12MP11	14.5	CF/CM/CU36B	1025	34.6	25.4	15.75	13.00
YCG36B21S	TM8E040A12MP11	14.5	CF42B	1000	35.4	25.4	16.00	13.25
YCG36B21S	TM8E040A12MP11	17.5	XAF/XAUB36D	1000	34.6	25.2	15.75	13.00
YCG36B21S	TM8E040A12MP11	17.5	XAFB36E	1000	35.4	25.2	15.75	13.00
YCG36B21S	TM8E040A12MP11	17.5	XAHB36D	1150	34.6	26.8	15.50	12.75
YCG36B21S	TM8E060A12MP11	14.5	CF/CM/CU36B	1025	34.6	25.4	15.75	13.00
YCG36B21S	TM8E060A12MP11	14.5	CF42B	1000	35.4	25.4	16.00	13.25
YCG36B21S	TM8E060A12MP11	17.5	XAF/XAUB36D	1000	34.6	25.2	15.75	13.00
YCG36B21S	TM8E060A12MP11	17.5	XAFB36E	1000	35.4	25.2	15.75	13.00
YCG36B21S	TM8E060A12MP11	17.5	XAHB36D	1175	34.6	27.0	15.25	12.75
YCG36B21S	TM8E080B12MP11	17.5	CF/CM/CU36B	1025	34.6	25.4	15.75	13.00
YCG36B21S	TM8E080B12MP11	17.5	CF/CM/CU36C	1050	34.6	25.6	15.75	13.00
YCG36B21S	TM8E080B12MP11	17.5	CF/CM/CU42C	1050	35.4	26.0	16.00	13.50
YCG36B21S	TM8E080B12MP11	17.5	CF/CM/CU48C	1050	36.0	26.4	16.25	13.50
YCG36B21S	TM8E080B12MP11	17.5	CF/CM/CU60C	1050	36.0	26.2	16.00	13.25
YCG36B21S	TM8E080B12MP11	17.5	CF42B	1025	35.4	25.6	16.00	13.25
YCG36B21S	TM8E080B12MP11	17.5	XAF/XAUB36D	1000	34.6	25.2	15.75	13.00
YCG36B21S	TM8E080B12MP11	21.0	XAF/XAUC42E	1025	35.4	25.6	16.00	13.50
YCG36B21S	TM8E080B12MP11	21.0	XAF/XAUC48F	1025	35.8	25.2	16.00	13.50
YCG36B21S	TM8E080B12MP11	17.5	XAFB36E	1000	35.4	25.2	16.00	13.00
YCG36B21S	TM8E080B12MP11	21.0	XAFC36D	1000	34.6	25.2	15.75	13.00
YCG36B21S	TM8E080B12MP11	17.5	XAHB36D	1150	34.6	26.8	15.00	12.75
YCG36B21S	TM8E080B12MP11	21.0	XAHC36D	1000	34.6	25.2	15.75	13.00
YCG36B21S	TM8E080B12MP11	21.0	XAHC42E	1000	35.4	25.2	16.00	13.25
YCG36B21S	TM8E080B12MP11	21.0	XAHC48F	1050	35.8	25.6	16.25	13.50
YCG36B21S	TM8E080C16MP11	21.0	CF/CM/CU36C	1100	34.6	26.0	16.25	13.50
YCG36B21S	TM8E080C16MP11	21.0	CF/CM/CU42C	1100	35.4	26.2	16.50	13.75
YCG36B21S	TM8E080C16MP11	21.0	CF/CM/CU48C	1100	36.0	27.2	16.75	13.75
YCG36B21S	TM8E080C16MP11	21.0	CF/CM/CU48D	1100	36.0	27.2	16.50	13.75
YCG36B21S	TM8E080C16MP11	21.0	CF/CM/CU60C	1275	36.0	28.2	16.25	13.50
YCG36B21S	TM8E080C16MP11	21.0	CF/CM/CU60D	1125	36.0	26.8	16.50	13.75
YCG36B21S	TM8E080C16MP11	21.0	CF/CM36D	1125	34.6	26.4	16.25	13.50
YCG36B21S	TM8E080C16MP11	21.0	CF/CM42D	1125	35.4	26.4	16.50	13.75
YCG36B21S	TM8E080C16MP11	21.0	XAF/XAUC42E	1050	35.4	25.8	16.50	13.75
YCG36B21S	TM8E080C16MP11	21.0	XAF/XAUC48F	1075	36.0	25.8	16.50	13.75
YCG36B21S	TM8E080C16MP11	21.0	XAFC36D	1050	34.6	25.8	16.25	13.50
YCG36B21S	TM8E080C16MP11	24.5	XAFD42E	1050	35.4	25.8	16.50	13.75
YCG36B21S	TM8E080C16MP11	24.5	XAFD48F	1075	35.8	25.8	16.50	13.75
YCG36B21S	TM8E080C16MP11	21.0	XAHC36D	1025	34.6	25.6	16.25	13.50
YCG36B21S	TM8E080C16MP11	21.0	XAHC42E	1025	35.4	25.6	16.25	13.50
YCG36B21S	TM8E080C16MP11	21.0	XAHC48F	1075	36.0	25.8	16.50	13.75
YCG36B21S	TM8E080C16MP11	24.5	XAHD42E	1050	35.4	25.8	16.50	13.75
YCG36B21S	TM8E080C16MP11	24.5	XAHD48F	1075	35.8	25.8	16.50	13.75
YCG36B21S	TM8E080C20MP11	21.0	CF/CM/CU36C	1250	34.6	27.2	16.00	13.50
YCG36B21S	TM8E080C20MP11	21.0	CF/CM/CU42C	1250	35.4	27.2	16.50	13.75
YCG36B21S	TM8E080C20MP11	21.0	CF/CM/CU48C	1250	36.0	28.2	16.75	13.75
YCG36B21S	TM8E080C20MP11	21.0	CF/CM/CU48D	1275	36.0	28.6	16.50	13.75
YCG36B21S	TM8E080C20MP11	21.0	CF/CM/CU60C	1250	36.0	27.8	16.75	13.75
YCG36B21S	TM8E080C20MP11	21.0	CF/CM/CU60D	1275	36.0	28.2	16.50	13.75
YCG36B21S	TM8E080C20MP11	21.0	CF/CM36D	1275	34.6	28.0	16.25	13.50
YCG36B21S	TM8E080C20MP11	21.0	CF/CM42D	1275	35.4	27.8	16.75	13.75
YCG36B21S	TM8E080C20MP11	21.0	XAF/XAUC42E	1200	35.4	27.4	16.50	13.75
YCG36B21S	TM8E080C20MP11	21.0	XAF/XAUC48F	1225	36.0	27.2	16.50	13.75
YCG36B21S	TM8E080C20MP11	21.0	XAFC36D	1200	34.6	27.2	16.00	13.50
YCG36B21S	TM8E080C20MP11	24.5	XAFD42E	1225	35.4	27.6	16.50	13.75
YCG36B21S	TM8E080C20MP11	24.5	XAFD48F	1225	35.8	27.2	16.50	13.75
YCG36B21S	TM8E080C20MP11	21.0	XAHC36D	1175	34.6	27.0	16.00	13.50
YCG36B21S	TM8E080C20MP11	21.0	XAHC42E	1175	35.4	27.2	16.25	13.50
YCG36B21S	TM8E080C20MP11	21.0	XAHC48F	1225	36.0	27.2	16.50	13.75
YCG36B21S	TM8E080C20MP11	24.5	XAHD42E	1200	35.4	27.6	16.50	13.75
YCG36B21S	TM8E080C20MP11	24.5	XAHD48F	1225	35.8	27.2	16.50	13.75
YCG36B21S	TM8E100B12MP11	17.5	CF/CM/CU36B	1075	34.6	26.0	15.75	13.00
YCG36B21S	TM8E100B12MP11	17.5	CF/CM/CU36C	1100	34.6	25.8	15.75	13.00
YCG36B21S	TM8E100B12MP11	17.5	CF/CM/CU42C	1100	35.4	26.2	16.00	13.50

COOLING CAPACITY - With High Efficiency Motor Furnaces¹ (Continued)

UNIT MODEL	FURNACE		COIL MODEL ²	COOLING				
	MODEL	WIDTH		RATED CFM	NET MBH		SEER	EER
					TOTAL	SENS.		
YCG36B21S	TM8E100B12MP11	17.5	CF/CM/CU48C	1100	36.0	27.2	16.25	13.50
YCG36B21S	TM8E100B12MP11	17.5	CF/CM/CU60C	1100	36.0	26.6	16.00	13.25
YCG36B21S	TM8E100B12MP11	17.5	CF42B	1050	35.4	26.0	16.00	13.25
YCG36B21S	TM8E100B12MP11	17.5	XAF/XAUB36D	1050	34.6	25.8	15.75	13.00
YCG36B21S	TM8E100B12MP11	21.0	XAF/XAUC42E	1075	35.4	26.2	16.00	13.50
YCG36B21S	TM8E100B12MP11	21.0	XAF/XAUC48F	1075	35.8	25.8	16.00	13.50
YCG36B21S	TM8E100B12MP11	17.5	XAFB36E	1050	35.4	25.8	16.00	13.00
YCG36B21S	TM8E100B12MP11	21.0	XAFC36D	1050	34.6	25.8	15.75	13.00
YCG36B21S	TM8E100B12MP11	17.5	XAHB36D	1025	34.6	25.6	15.75	13.00
YCG36B21S	TM8E100B12MP11	21.0	XAHC36D	1050	34.6	25.8	15.75	13.00
YCG36B21S	TM8E100B12MP11	21.0	XAHC42E	1050	35.4	25.8	16.00	13.25
YCG36B21S	TM8E100B12MP11	21.0	XAHC48F	1075	35.8	25.8	16.00	13.50
YCG36B21S	TM8E100C16MP11	21.0	CF/CM/CU36C	1125	34.6	26.4	16.00	13.50
YCG36B21S	TM8E100C16MP11	21.0	CF/CM/CU42C	1125	35.4	26.4	16.50	13.75
YCG36B21S	TM8E100C16MP11	21.0	CF/CM/CU48C	1125	36.0	27.2	16.75	13.75
YCG36B21S	TM8E100C16MP11	21.0	CF/CM/CU48D	1125	36.0	27.2	16.50	13.75
YCG36B21S	TM8E100C16MP11	21.0	CF/CM/CU60C	1125	36.0	26.8	16.75	13.75
YCG36B21S	TM8E100C16MP11	21.0	CF/CM/CU60D	1125	36.0	26.8	16.50	13.75
YCG36B21S	TM8E100C16MP11	21.0	CF/CM36D	1125	34.6	26.4	16.25	13.50
YCG36B21S	TM8E100C16MP11	21.0	CF/CM42D	1125	35.4	26.4	16.50	13.75
YCG36B21S	TM8E100C16MP11	21.0	XAF/XAUC42E	1075	35.4	26.0	16.50	13.75
YCG36B21S	TM8E100C16MP11	21.0	XAF/XAUC48F	1075	36.0	25.8	16.50	13.75
YCG36B21S	TM8E100C16MP11	21.0	XAFC36D	1075	34.6	26.0	16.00	13.50
YCG36B21S	TM8E100C16MP11	24.5	XAFD42E	1075	35.4	26.2	16.50	13.75
YCG36B21S	TM8E100C16MP11	24.5	XAFD48F	1100	35.8	26.0	16.50	13.75
YCG36B21S	TM8E100C16MP11	21.0	XAHC36D	1050	34.6	25.6	16.00	13.50
YCG36B21S	TM8E100C16MP11	21.0	XAHC42E	1050	35.4	25.8	16.25	13.50
YCG36B21S	TM8E100C16MP11	21.0	XAHC48F	1100	36.0	26.0	16.50	13.75
YCG36B21S	TM8E100C16MP11	24.5	XAHD42E	1050	35.4	25.8	16.25	13.50
YCG36B21S	TM8E100C16MP11	24.5	XAHD48F	1100	35.8	26.0	16.50	13.75
YCG36B21S	TM8E100C20MP11	21.0	CF/CM/CU36C	1250	34.6	27.2	16.00	13.50
YCG36B21S	TM8E100C20MP11	21.0	CF/CM/CU42C	1250	35.4	27.2	16.50	13.75
YCG36B21S	TM8E100C20MP11	21.0	CF/CM/CU48C	1250	36.0	28.2	16.75	13.75
YCG36B21S	TM8E100C20MP11	21.0	CF/CM/CU48D	1275	36.0	28.6	16.50	13.75
YCG36B21S	TM8E100C20MP11	21.0	CF/CM/CU60C	1250	36.0	27.8	16.50	13.75
YCG36B21S	TM8E100C20MP11	21.0	CF/CM/CU60D	1275	36.0	28.2	16.50	13.75
YCG36B21S	TM8E100C20MP11	21.0	CF/CM36D	1275	34.6	28.0	16.25	13.50
YCG36B21S	TM8E100C20MP11	21.0	CF/CM42D	1275	35.4	27.8	16.75	13.75
YCG36B21S	TM8E100C20MP11	21.0	XAF/XAUC42E	1200	35.4	27.6	16.50	13.75
YCG36B21S	TM8E100C20MP11	21.0	XAF/XAUC48F	1225	36.0	27.2	16.50	13.75
YCG36B21S	TM8E100C20MP11	21.0	XAFC36D	1200	34.6	27.4	16.00	13.50
YCG36B21S	TM8E100C20MP11	24.5	XAFD42E	1225	35.4	27.6	16.50	13.75
YCG36B21S	TM8E100C20MP11	24.5	XAFD48F	1225	35.8	27.2	16.50	13.75
YCG36B21S	TM8E100C20MP11	21.0	XAHC36D	1175	34.6	27.0	16.00	13.50
YCG36B21S	TM8E100C20MP11	21.0	XAHC42E	1175	35.4	27.2	16.25	13.50
YCG36B21S	TM8E100C20MP11	21.0	XAHC48F	1225	36.0	27.2	16.50	13.75
YCG36B21S	TM8E100C20MP11	24.5	XAHD42E	1200	35.4	27.6	16.50	13.75
YCG36B21S	TM8E100C20MP11	24.5	XAHD48F	1225	35.8	27.2	16.50	13.75
YCG36B21S	TM8E120C16MP11	21.0	CF/CM/CU36C	1125	34.6	26.4	16.00	13.50
YCG36B21S	TM8E120C16MP11	21.0	CF/CM/CU42C	1125	35.4	26.4	16.50	13.75
YCG36B21S	TM8E120C16MP11	21.0	CF/CM/CU48C	1125	36.0	27.2	16.75	13.75
YCG36B21S	TM8E120C16MP11	21.0	CF/CM/CU48D	1125	36.0	27.2	16.50	13.75
YCG36B21S	TM8E120C16MP11	21.0	CF/CM/CU60C	1125	36.0	26.8	16.75	13.75
YCG36B21S	TM8E120C16MP11	21.0	CF/CM/CU60D	1125	36.0	26.8	16.50	13.75
YCG36B21S	TM8E120C16MP11	21.0	CF/CM36D	1125	34.6	26.4	16.25	13.50
YCG36B21S	TM8E120C16MP11	21.0	CF/CM42D	1125	35.4	26.4	16.50	13.75
YCG36B21S	TM8E120C16MP11	21.0	XAF/XAUC42E	1075	35.4	26.2	16.50	13.75
YCG36B21S	TM8E120C16MP11	21.0	XAF/XAUC48F	1100	36.0	26.0	16.50	13.75
YCG36B21S	TM8E120C16MP11	21.0	XAFC36D	1075	34.6	26.0	16.00	13.50
YCG36B21S	TM8E120C16MP11	24.5	XAFD42E	1075	35.4	26.2	16.50	13.75
YCG36B21S	TM8E120C16MP11	24.5	XAFD48F	1100	35.8	26.0	16.50	13.75
YCG36B21S	TM8E120C16MP11	21.0	XAHC36D	1050	34.6	25.8	16.00	13.50
YCG36B21S	TM8E120C16MP11	21.0	XAHC42E	1050	35.4	25.8	16.25	13.50
YCG36B21S	TM8E120C16MP11	21.0	XAHC48F	1100	36.0	26.0	16.50	13.75

COOLING CAPACITY - With High Efficiency Motor Furnaces¹ (Continued)

UNIT MODEL	FURNACE		COIL MODEL ²	COOLING				
	MODEL	WIDTH		RATED CFM	NET MBH		SEER	EER
					TOTAL	SENS.		
YCG36B21S	TM8E120C16MP11	24.5	XAHD42E	1075	35.4	26.0	16.50	13.75
YCG36B21S	TM8E120C16MP11	24.5	XAHD48F	1100	35.8	26.0	16.50	13.75
YCG36B21S	TM8E120C20MP11	21.0	CF/CM/CU36C	1275	34.6	28.0	16.00	13.25
YCG36B21S	TM8E120C20MP11	21.0	CF/CM/CU42C	1275	35.4	27.8	16.50	13.75
YCG36B21S	TM8E120C20MP11	21.0	CF/CM/CU48C	1300	36.0	28.6	16.75	14.00
YCG36B21S	TM8E120C20MP11	21.0	CF/CM/CU48D	1300	36.0	28.6	16.50	13.75
YCG36B21S	TM8E120C20MP11	21.0	CF/CM/CU60C	1275	36.0	28.2	16.50	13.75
YCG36B21S	TM8E120C20MP11	21.0	CF/CM/CU60D	1325	36.0	27.2	16.50	13.75
YCG36B21S	TM8E120C20MP11	21.0	CF/CM36D	1300	34.6	26.6	15.75	13.00
YCG36B21S	TM8E120C20MP11	21.0	CF/CM42D	1300	35.4	28.2	16.50	13.75
YCG36B21S	TM8E120C20MP11	21.0	XAF/XAUC42E	1250	35.4	27.8	16.50	13.75
YCG36B21S	TM8E120C20MP11	21.0	XAF/XAUC48F	1250	36.0	27.6	16.50	13.75
YCG36B21S	TM8E120C20MP11	21.0	XAFC36D	1225	34.6	27.4	16.00	13.25
YCG36B21S	TM8E120C20MP11	24.5	XAFD42E	1250	35.4	27.8	16.50	13.75
YCG36B21S	TM8E120C20MP11	24.5	XAFD48F	1275	35.8	27.6	16.50	13.75
YCG36B21S	TM8E120C20MP11	21.0	XAHC36D	1225	34.6	27.4	16.00	13.25
YCG36B21S	TM8E120C20MP11	21.0	XAHC42E	1225	35.4	27.6	16.25	13.50
YCG36B21S	TM8E120C20MP11	21.0	XAHC48F	1275	36.0	27.6	16.50	13.75
YCG36B21S	TM8E120C20MP11	24.5	XAHD42E	1225	35.4	27.6	16.25	13.50
YCG36B21S	TM8E120C20MP11	24.5	XAHD48F	1275	35.8	27.6	16.50	13.75
YCG36B21S	TM8E130D20MP11	24.5	CF/CM/CU48D	1300	36.0	28.6	16.75	14.00
YCG36B21S	TM8E130D20MP11	24.5	CF/CM/CU60D	1325	36.0	27.2	16.75	14.00
YCG36B21S	TM8E130D20MP11	24.5	CF/CM36D	1300	34.6	26.6	15.75	13.00
YCG36B21S	TM8E130D20MP11	24.5	CF/CM42D	1300	35.4	28.2	16.50	13.75
YCG36B21S	TM8E130D20MP11	24.5	XAFD42E	1250	35.4	27.8	16.50	13.75
YCG36B21S	TM8E130D20MP11	24.5	XAFD48F	1275	36.0	27.6	16.50	13.75
YCG36B21S	TM8E130D20MP11	24.5	XAHD42E	1225	35.4	27.6	16.50	13.75
YCG36B21S	TM8E130D20MP11	24.5	XAHD48F	1250	36.0	27.6	16.50	13.75
YCG36B21S	TM8V060A12MP12C	17.5	XAF/XAUB36D	1050	34.6	25.8	15.75	13.00
YCG36B21S	TM8V060A12MP12C	17.5	XAFB36E	1050	35.4	25.8	15.50	13.00
YCG36B21S	TM8V060A12MP12C	17.5	XAHB36D	1050	34.6	25.8	15.50	12.75
YCG36B21S	TM8V080B12MP12C	17.5	XAF/XAUB36D	1000	34.6	25.2	15.50	12.75
YCG36B21S	TM8V080B12MP12C	21.0	XAF/XAUC42E	1000	35.4	25.2	15.50	12.75
YCG36B21S	TM8V080B12MP12C	21.0	XAF/XAUC48F	1000	35.8	25.0	15.50	12.75
YCG36B21S	TM8V080B12MP12C	17.5	XAFB36E	1000	35.4	25.2	15.25	12.75
YCG36B21S	TM8V080B12MP12C	21.0	XAFC36D	1000	34.6	25.2	15.50	12.75
YCG36B21S	TM8V080B12MP12C	17.5	XAHB36D	1000	34.6	25.2	15.00	12.75
YCG36B21S	TM8V080B12MP12C	21.0	XAHC36D	1000	34.6	25.2	15.50	12.75
YCG36B21S	TM8V080B12MP12C	21.0	XAHC42E	1000	35.4	25.2	15.50	12.75
YCG36B21S	TM8V080B12MP12C	21.0	XAHC48F	1000	35.8	25.0	15.75	13.00
YCG36B21S	TM8V080C16MP12C	21.0	CF/CM/CU36C	1150	34.6	26.6	16.20	13.50
YCG36B21S	TM8V080C16MP12C	21.0	CF/CM/CU36D	1150	36.0	27.8	16.25	13.75
YCG36B21S	TM8V080C16MP12C	21.0	CF/CM/CU42C	1200	36.0	27.6	16.25	13.50
YCG36B21S	TM8V080C16MP12C	21.0	CF/CM/CU42D	1200	36.0	27.6	16.50	13.75
YCG36B21S	TM8V080C16MP12C	21.0	CF/CM/CU48C	1150	36.0	27.4	16.50	13.75
YCG36B21S	TM8V080C16MP12C	21.0	CF/CM/CU48D	1150	36.0	27.4	16.50	13.75
YCG36B21S	TM8V080C16MP12C	21.0	CF/CM/CU60C	1200	36.0	27.6	16.50	13.75
YCG36B21S	TM8V080C16MP12C	21.0	CF/CM/CU60D	1200	36.0	27.6	16.50	14.00
YCG36B21S	TM8V080C16MP12C	21.0	XAF/XAUC42E	1050	36.0	25.8	16.25	13.50
YCG36B21S	TM8V080C16MP12C	21.0	XAF/XAUC48F	1050	36.0	25.6	16.25	13.50
YCG36B21S	TM8V080C16MP12C	21.0	XAFC36D	1050	34.6	25.6	16.25	13.50
YCG36B21S	TM8V080C16MP12C	24.5	XAFD42E	1050	35.8	25.8	16.25	13.50
YCG36B21S	TM8V080C16MP12C	24.5	XAFD48F	1050	35.8	25.6	16.50	13.75
YCG36B21S	TM8V080C16MP12C	21.0	XAHC36D	1050	34.6	25.8	16.25	13.50
YCG36B21S	TM8V080C16MP12C	21.0	XAHC42E	1050	36.0	25.8	16.25	13.50
YCG36B21S	TM8V080C16MP12C	21.0	XAHC48F	1050	36.0	25.6	16.50	13.75
YCG36B21S	TM8V080C16MP12C	24.5	XAHD42E	1050	35.8	25.8	16.25	13.50
YCG36B21S	TM8V080C16MP12C	24.5	XAHD48F	1050	35.8	25.6	16.25	13.50
YCG36B21S	TM8V100C16MP12C	21.0	CF/CM/CU36C	1150	34.6	26.6	16.20	13.50
YCG36B21S	TM8V100C16MP12C	21.0	CF/CM/CU36D	1150	36.0	27.8	16.25	13.75
YCG36B21S	TM8V100C16MP12C	21.0	CF/CM/CU42C	1200	36.0	27.6	16.25	13.50
YCG36B21S	TM8V100C16MP12C	21.0	CF/CM/CU42D	1200	36.0	27.6	16.50	13.75
YCG36B21S	TM8V100C16MP12C	21.0	CF/CM/CU48C	1150	36.0	27.4	16.50	13.75
YCG36B21S	TM8V100C16MP12C	21.0	CF/CM/CU48D	1150	36.0	27.4	16.50	13.75

COOLING CAPACITY - With High Efficiency Motor Furnaces¹ (Continued)

UNIT MODEL	FURNACE		COIL MODEL ²	COOLING				
	MODEL	WIDTH		RATED CFM	NET MBH		SEER	EER
					TOTAL	SENS.		
YCG36B21S	TM8V100C16MP12C	21.0	CF/CM/CU60C	1200	36.0	27.6	16.50	13.75
YCG36B21S	TM8V100C16MP12C	21.0	CF/CM/CU60D	1200	36.0	27.6	16.50	14.00
YCG36B21S	TM8V100C16MP12C	21.0	XAF/XAUC42E	1050	36.0	25.8	16.25	13.50
YCG36B21S	TM8V100C16MP12C	21.0	XAF/XAUC48F	1050	36.0	25.6	16.25	13.50
YCG36B21S	TM8V100C16MP12C	21.0	XAFC36D	1050	34.6	25.6	16.25	13.50
YCG36B21S	TM8V100C16MP12C	24.5	XAFD42E	1050	35.8	25.8	16.25	13.50
YCG36B21S	TM8V100C16MP12C	24.5	XAFD48F	1050	35.8	25.6	16.50	13.75
YCG36B21S	TM8V100C16MP12C	21.0	XAHC36D	1050	34.6	25.8	16.25	13.50
YCG36B21S	TM8V100C16MP12C	21.0	XAHC42E	1050	36.0	25.8	16.25	13.50
YCG36B21S	TM8V100C16MP12C	21.0	XAHC48F	1050	36.0	25.6	16.50	13.75
YCG36B21S	TM8V100C16MP12C	24.5	XAHD42E	1050	35.8	25.8	16.25	13.50
YCG36B21S	TM8V100C16MP12C	24.5	XAHD48F	1050	35.8	25.6	16.25	13.50
YCG36B21S	TM8V100C20MP12C	21.0	CF/CM/CU36C	1150	34.8	26.8	16.00	13.50
YCG36B21S	TM8V100C20MP12C	21.0	CF/CM/CU36D	1150	36.0	27.6	16.75	14.00
YCG36B21S	TM8V100C20MP12C	21.0	CF/CM/CU42C	1225	36.0	27.8	16.50	13.50
YCG36B21S	TM8V100C20MP12C	21.0	CF/CM/CU42D	1225	36.0	27.6	16.75	14.00
YCG36B21S	TM8V100C20MP12C	21.0	CF/CM/CU48C	1150	36.0	27.4	16.50	13.75
YCG36B21S	TM8V100C20MP12C	21.0	CF/CM/CU48D	1225	36.0	28.0	17.00	14.25
YCG36B21S	TM8V100C20MP12C	21.0	CF/CM/CU60C	1225	36.0	27.6	16.75	13.75
YCG36B21S	TM8V100C20MP12C	21.0	CF/CM/CU60D	1225	36.0	27.6	17.00	14.00
YCG36B21S	TM8V100C20MP12C	21.0	XAF/XAUC42E	1150	36.0	27.0	16.50	13.50
YCG36B21S	TM8V100C20MP12C	21.0	XAF/XAUC48F	1150	36.0	26.6	16.50	13.75
YCG36B21S	TM8V100C20MP12C	21.0	XAFC36D	1150	34.8	26.8	16.00	13.50
YCG36B21S	TM8V100C20MP12C	24.5	XAFD42E	1150	35.8	27.0	16.50	13.75
YCG36B21S	TM8V100C20MP12C	24.5	XAFD48F	1150	35.8	26.6	16.50	13.75
YCG36B21S	TM8V100C20MP12C	21.0	XAHC36D	1125	34.8	26.6	16.00	13.50
YCG36B21S	TM8V100C20MP12C	21.0	XAHC42E	1125	36.0	26.6	16.25	13.50
YCG36B21S	TM8V100C20MP12C	21.0	XAHC48F	1150	36.0	26.6	16.50	13.75
YCG36B21S	TM8V100C20MP12C	24.5	XAHD42E	1125	35.8	26.6	16.50	13.75
YCG36B21S	TM8V100C20MP12C	24.5	XAHD48F	1150	35.8	26.6	16.50	13.75
YCG36B21S	TM8V120C20MP12C	21.0	CF/CM/CU36C	1150	34.8	26.8	16.00	13.50
YCG36B21S	TM8V120C20MP12C	21.0	CF/CM/CU36D	1150	36.0	27.6	16.75	14.00
YCG36B21S	TM8V120C20MP12C	21.0	CF/CM/CU42C	1225	36.0	27.8	16.50	13.50
YCG36B21S	TM8V120C20MP12C	21.0	CF/CM/CU42D	1225	36.0	27.6	16.75	14.00
YCG36B21S	TM8V120C20MP12C	21.0	CF/CM/CU48C	1150	36.0	27.4	16.50	13.75
YCG36B21S	TM8V120C20MP12C	21.0	CF/CM/CU48D	1225	36.0	28.0	17.00	14.25
YCG36B21S	TM8V120C20MP12C	21.0	CF/CM/CU60C	1225	36.0	27.6	16.75	13.75
YCG36B21S	TM8V120C20MP12C	21.0	CF/CM/CU60D	1225	36.0	27.6	17.00	14.00
YCG36B21S	TM8V120C20MP12C	21.0	XAF/XAUC42E	1150	36.0	27.0	16.50	13.50
YCG36B21S	TM8V120C20MP12C	21.0	XAF/XAUC48F	1150	36.0	26.6	16.50	13.75
YCG36B21S	TM8V120C20MP12C	21.0	XAFC36D	1150	34.8	26.8	16.00	13.50
YCG36B21S	TM8V120C20MP12C	24.5	XAFD42E	1150	35.8	27.0	16.50	13.75
YCG36B21S	TM8V120C20MP12C	24.5	XAFD48F	1150	35.8	26.6	16.50	13.75
YCG36B21S	TM8V120C20MP12C	21.0	XAHC36D	1125	34.8	26.6	16.00	13.50
YCG36B21S	TM8V120C20MP12C	21.0	XAHC42E	1125	36.0	26.6	16.25	13.50
YCG36B21S	TM8V120C20MP12C	21.0	XAHC48F	1150	36.0	26.6	16.50	13.75
YCG36B21S	TM8V120C20MP12C	24.5	XAHD42E	1125	35.8	26.6	16.50	13.75
YCG36B21S	TM8V120C20MP12C	24.5	XAHD48F	1150	35.8	26.6	16.50	13.75
YCG36B21S	TM8X060A12MP11	14.5	CF/CM36A	1075	34.6	26.0	15.25	12.75
YCG36B21S	TM8X080B12MP11	17.5	CF/CM/CU36B	1175	35.2	27.2	15.75	13.50
YCG36B21S	TM8X080B12MP11	17.5	CF42B	1150	35.6	27.0	16.00	13.25
YCG36B21S	TM8X080C16MP11	21.0	CF/CM/CU36C	1150	34.6	26.6	16.25	13.75
YCG36B21S	TM8X080C16MP11	21.0	CF/CM/CU36D	1175	35.0	27.0	16.50	13.75
YCG36B21S	TM8X080C16MP11	21.0	CF/CM/CU42C	1150	35.4	26.8	16.50	13.75
YCG36B21S	TM8X080C16MP11	21.0	CF/CM/CU42D	1175	35.8	27.0	16.50	14.00
YCG36B21S	TM8X080C16MP11	21.0	CF/CM/CU48C	1150	36.0	27.4	16.75	14.00
YCG36B21S	TM8X080C16MP11	21.0	CF/CM/CU48D	1150	36.0	27.4	16.75	14.00
YCG36B21S	TM8X080C16MP11	21.0	CF/CM/CU60C	1150	36.0	27.2	16.75	14.00
YCG36B21S	TM8X080C16MP11	21.0	CF/CM/CU60D	1175	36.0	27.4	17.00	14.00
YCG36B21S	TM8X100C16MP11	21.0	CF/CM/CU36C	1150	34.6	26.6	16.25	13.75
YCG36B21S	TM8X100C16MP11	21.0	CF/CM/CU36D	1175	35.0	27.0	16.50	13.75
YCG36B21S	TM8X100C16MP11	21.0	CF/CM/CU42C	1150	35.4	26.8	16.50	13.75
YCG36B21S	TM8X100C16MP11	21.0	CF/CM/CU42D	1175	35.8	27.0	16.50	14.00
YCG36B21S	TM8X100C16MP11	21.0	CF/CM/CU48C	1150	36.0	27.4	16.75	14.00

COOLING CAPACITY - With High Efficiency Motor Furnaces¹ (Continued)

UNIT MODEL	FURNACE		COIL MODEL ²	COOLING				
	MODEL	WIDTH		RATED CFM	NET MBH		SEER	EER
					TOTAL	SENS.		
YCG36B21S	TM8X100C16MP11	21.0	CF/CM/CU48D	1150	36.0	27.4	16.75	14.00
YCG36B21S	TM8X100C16MP11	21.0	CF/CM/CU60C	1150	36.0	27.2	16.75	14.00
YCG36B21S	TM8X100C16MP11	21.0	CF/CM/CU60D	1175	36.0	27.4	17.00	14.00
YCG36B21S	TM8X100C20MP11	21.0	CF/CM/CU36C	1225	35.0	27.6	16.25	13.75
YCG36B21S	TM8X100C20MP11	21.0	CF/CM/CU36D	1250	35.2	27.6	16.50	13.75
YCG36B21S	TM8X100C20MP11	21.0	CF/CM/CU42C	1225	35.8	27.4	16.50	14.00
YCG36B21S	TM8X100C20MP11	21.0	CF/CM/CU42D	1250	36.0	27.8	16.50	14.00
YCG36B21S	TM8X100C20MP11	21.0	CF/CM/CU48C	1225	36.0	28.0	17.00	14.00
YCG36B21S	TM8X100C20MP11	21.0	CF/CM/CU48D	1250	36.0	28.2	17.00	14.00
YCG36B21S	TM8X100C20MP11	21.0	CF/CM/CU60C	1225	36.0	27.6	17.00	14.25
YCG36B21S	TM8X100C20MP11	21.0	CF/CM/CU60D	1250	36.0	28.0	17.00	14.25
YCG36B21S	TM8X120C20MP11	21.0	CF/CM/CU36C	1225	35.0	27.6	16.25	13.75
YCG36B21S	TM8X120C20MP11	21.0	CF/CM/CU36D	1250	35.2	27.6	16.50	13.75
YCG36B21S	TM8X120C20MP11	21.0	CF/CM/CU42C	1225	35.8	27.4	16.50	14.00
YCG36B21S	TM8X120C20MP11	21.0	CF/CM/CU42D	1250	36.0	27.8	16.50	14.00
YCG36B21S	TM8X120C20MP11	21.0	CF/CM/CU48C	1225	36.0	28.0	17.00	14.00
YCG36B21S	TM8X120C20MP11	21.0	CF/CM/CU48D	1250	36.0	28.2	17.00	14.00
YCG36B21S	TM8X120C20MP11	21.0	CF/CM/CU60C	1225	36.0	27.6	17.00	14.25
YCG36B21S	TM8X120C20MP11	21.0	CF/CM/CU60D	1250	36.0	28.0	17.00	14.25
YCG36B21S	TM8Y060A12MP11	14.5	CF/CM36A	1075	34.6	26.0	15.25	12.75
YCG36B21S	TM8Y060A12MP11	17.5	XAF/XAUB36D	1100	34.6	26.2	15.25	12.75
YCG36B21S	TM8Y060A12MP11	17.5	XAFB36E	1100	35.4	26.2	15.00	12.50
YCG36B21S	TM8Y060A12MP11	17.5	XAHB36D	1075	34.6	26.0	15.25	12.75
YCG36B21S	TM8Y080B12MP11	17.5	CF/CM/CU36B	1175	35.2	27.2	15.75	13.50
YCG36B21S	TM8Y080B12MP11	17.5	CF42B	1150	35.6	27.0	16.00	13.25
YCG36B21S	TM8Y080B12MP11	17.5	XAF/XAUB36D	1150	34.6	26.8	15.50	12.75
YCG36B21S	TM8Y080B12MP11	21.0	XAF/XAUC42E	1175	35.4	27.2	15.75	13.00
YCG36B21S	TM8Y080B12MP11	21.0	XAF/XAUC48F	1175	35.8	26.8	15.75	13.00
YCG36B21S	TM8Y080B12MP11	17.5	XAFB36E	1150	35.4	27.0	15.50	12.75
YCG36B21S	TM8Y080B12MP11	21.0	XAFC36D	1175	34.6	27.0	15.75	13.00
YCG36B21S	TM8Y080B12MP11	17.5	XAHB36D	1125	34.6	26.6	15.50	12.75
YCG36B21S	TM8Y080B12MP11	21.0	XAHC36D	1150	34.6	26.8	15.75	13.00
YCG36B21S	TM8Y080B12MP11	21.0	XAHC42E	1150	35.4	27.0	15.75	13.00
YCG36B21S	TM8Y080B12MP11	21.0	XAHC48F	1200	35.8	27.0	15.75	13.00
YCG36B21S	TM8Y080C16MP11	21.0	CF/CM/CU36C	1150	34.6	26.6	16.25	13.75
YCG36B21S	TM8Y080C16MP11	21.0	CF/CM/CU36D	1175	35.0	27.0	16.50	13.75
YCG36B21S	TM8Y080C16MP11	21.0	CF/CM/CU42C	1150	35.4	26.8	16.50	13.75
YCG36B21S	TM8Y080C16MP11	21.0	CF/CM/CU42D	1175	35.8	27.0	16.50	14.00
YCG36B21S	TM8Y080C16MP11	21.0	CF/CM/CU48C	1150	36.0	27.4	16.75	14.00
YCG36B21S	TM8Y080C16MP11	21.0	CF/CM/CU48D	1150	36.0	27.4	16.75	14.00
YCG36B21S	TM8Y080C16MP11	21.0	CF/CM/CU60C	1150	36.0	27.2	16.75	14.00
YCG36B21S	TM8Y080C16MP11	21.0	CF/CM/CU60D	1175	36.0	27.4	17.00	14.00
YCG36B21S	TM8Y080C16MP11	21.0	XAF/XAUC42E	1125	35.6	26.6	16.50	13.75
YCG36B21S	TM8Y080C16MP11	21.0	XAF/XAUC48F	1150	36.0	26.6	16.50	13.75
YCG36B21S	TM8Y080C16MP11	21.0	XAFC36D	1125	34.6	26.6	16.00	13.50
YCG36B21S	TM8Y080C16MP11	24.5	XAFD42E	1150	35.4	27.0	16.50	13.75
YCG36B21S	TM8Y080C16MP11	24.5	XAFD48F	1150	35.8	26.6	16.50	13.75
YCG36B21S	TM8Y080C16MP11	21.0	XAHC36D	1125	34.6	26.6	16.00	13.50
YCG36B21S	TM8Y080C16MP11	21.0	XAHC42E	1100	35.4	26.4	16.25	13.50
YCG36B21S	TM8Y080C16MP11	21.0	XAHC48F	1175	36.0	26.8	16.50	13.75
YCG36B21S	TM8Y080C16MP11	24.5	XAHD42E	1125	35.4	26.6	16.50	13.75
YCG36B21S	TM8Y080C16MP11	24.5	XAHD48F	1150	35.8	26.6	16.50	13.75
YCG36B21S	TM8Y100C16MP11	21.0	CF/CM/CU36C	1150	34.6	26.6	16.25	13.75
YCG36B21S	TM8Y100C16MP11	21.0	CF/CM/CU36D	1175	35.0	27.0	16.50	13.75
YCG36B21S	TM8Y100C16MP11	21.0	CF/CM/CU42C	1150	35.4	26.8	16.50	13.75
YCG36B21S	TM8Y100C16MP11	21.0	CF/CM/CU42D	1175	35.8	27.0	16.50	14.00
YCG36B21S	TM8Y100C16MP11	21.0	CF/CM/CU48C	1150	36.0	27.4	16.75	14.00
YCG36B21S	TM8Y100C16MP11	21.0	CF/CM/CU48D	1150	36.0	27.4	16.75	14.00
YCG36B21S	TM8Y100C16MP11	21.0	CF/CM/CU60C	1150	36.0	27.2	16.75	14.00
YCG36B21S	TM8Y100C16MP11	21.0	CF/CM/CU60D	1175	36.0	27.4	17.00	14.00
YCG36B21S	TM8Y100C16MP11	21.0	XAF/XAUC42E	1125	35.6	26.6	16.50	13.75
YCG36B21S	TM8Y100C16MP11	21.0	XAF/XAUC48F	1150	36.0	26.6	16.50	13.75
YCG36B21S	TM8Y100C16MP11	21.0	XAFC36D	1125	34.6	26.6	16.00	13.50
YCG36B21S	TM8Y100C16MP11	24.5	XAFD42E	1150	35.4	27.0	16.50	13.75

COOLING CAPACITY - With High Efficiency Motor Furnaces¹ (Continued)

UNIT MODEL	FURNACE		COIL MODEL ²	COOLING				
	MODEL	WIDTH		RATED CFM	NET MBH		SEER	EER
					TOTAL	SENS.		
YCG36B21S	TM8Y100C16MP11	24.5	XAFD48F	1150	35.8	26.6	16.50	13.75
YCG36B21S	TM8Y100C16MP11	21.0	XAHC36D	1125	34.6	26.6	16.00	13.50
YCG36B21S	TM8Y100C16MP11	21.0	XAHC42E	1100	35.4	26.4	16.25	13.50
YCG36B21S	TM8Y100C16MP11	21.0	XAHC48F	1175	36.0	26.8	16.50	13.75
YCG36B21S	TM8Y100C16MP11	24.5	XAHD42E	1125	35.4	26.6	16.50	13.75
YCG36B21S	TM8Y100C16MP11	24.5	XAHD48F	1150	35.8	26.6	16.50	13.75
YCG36B21S	TM8Y100C20MP11	21.0	CF/CM/CU36C	1225	35.0	27.6	16.25	13.75
YCG36B21S	TM8Y100C20MP11	21.0	CF/CM/CU36D	1250	35.2	27.6	16.50	13.75
YCG36B21S	TM8Y100C20MP11	21.0	CF/CM/CU42C	1225	35.8	27.4	16.50	14.00
YCG36B21S	TM8Y100C20MP11	21.0	CF/CM/CU42D	1250	36.0	27.8	16.50	14.00
YCG36B21S	TM8Y100C20MP11	21.0	CF/CM/CU48C	1225	36.0	28.0	17.00	14.00
YCG36B21S	TM8Y100C20MP11	21.0	CF/CM/CU48D	1250	36.0	28.2	17.00	14.00
YCG36B21S	TM8Y100C20MP11	21.0	CF/CM/CU60C	1225	36.0	27.6	17.00	14.25
YCG36B21S	TM8Y100C20MP11	21.0	CF/CM/CU60D	1250	36.0	28.0	17.00	14.25
YCG36B21S	TM8Y100C20MP11	21.0	XAF/XAUC42E	1175	35.6	27.2	16.50	13.75
YCG36B21S	TM8Y100C20MP11	21.0	XAF/XAUC48F	1200	36.0	27.0	16.50	13.75
YCG36B21S	TM8Y100C20MP11	21.0	XAFC36D	1175	34.6	27.2	16.25	13.50
YCG36B21S	TM8Y100C20MP11	24.5	XAFD42E	1175	35.4	27.2	16.50	13.75
YCG36B21S	TM8Y100C20MP11	24.5	XAFD48F	1200	35.8	27.0	16.50	13.75
YCG36B21S	TM8Y100C20MP11	21.0	XAHC36D	1150	34.6	26.8	16.25	13.50
YCG36B21S	TM8Y100C20MP11	21.0	XAHC42E	1150	35.6	26.8	16.50	13.75
YCG36B21S	TM8Y100C20MP11	21.0	XAHC48F	1200	36.0	27.0	16.50	13.75
YCG36B21S	TM8Y100C20MP11	24.5	XAHD42E	1175	35.4	27.2	16.50	13.75
YCG36B21S	TM8Y100C20MP11	24.5	XAHD48F	1200	35.8	27.0	16.50	13.75
YCG36B21S	TM8Y120C20MP11	21.0	CF/CM/CU36C	1225	35.0	27.6	16.25	13.75
YCG36B21S	TM8Y120C20MP11	21.0	CF/CM/CU36D	1250	35.2	27.6	16.50	13.75
YCG36B21S	TM8Y120C20MP11	21.0	CF/CM/CU42C	1225	35.8	27.4	16.50	14.00
YCG36B21S	TM8Y120C20MP11	21.0	CF/CM/CU42D	1250	36.0	27.8	16.50	14.00
YCG36B21S	TM8Y120C20MP11	21.0	CF/CM/CU48C	1225	36.0	28.0	17.00	14.00
YCG36B21S	TM8Y120C20MP11	21.0	CF/CM/CU48D	1250	36.0	28.2	17.00	14.00
YCG36B21S	TM8Y120C20MP11	21.0	CF/CM/CU60C	1225	36.0	27.6	17.00	14.25
YCG36B21S	TM8Y120C20MP11	21.0	CF/CM/CU60D	1250	36.0	28.0	17.00	14.25
YCG36B21S	TM8Y120C20MP11	21.0	XAF/XAUC42E	1175	35.6	27.2	16.50	13.75
YCG36B21S	TM8Y120C20MP11	21.0	XAF/XAUC48F	1200	36.0	27.0	16.50	13.75
YCG36B21S	TM8Y120C20MP11	21.0	XAFC36D	1175	34.6	27.2	16.25	13.50
YCG36B21S	TM8Y120C20MP11	24.5	XAFD42E	1175	35.4	27.2	16.50	13.75
YCG36B21S	TM8Y120C20MP11	24.5	XAFD48F	1200	35.8	27.0	16.50	13.75
YCG36B21S	TM8Y120C20MP11	21.0	XAHC36D	1150	34.6	26.8	16.25	13.50
YCG36B21S	TM8Y120C20MP11	21.0	XAHC42E	1150	35.6	26.8	16.50	13.75
YCG36B21S	TM8Y120C20MP11	21.0	XAHC48F	1200	36.0	27.0	16.50	13.75
YCG36B21S	TM8Y120C20MP11	24.5	XAHD42E	1175	35.4	27.2	16.50	13.75
YCG36B21S	TM8Y120C20MP11	24.5	XAHD48F	1200	35.8	27.0	16.50	13.75
YCG36B21S	TM9E060A10MP12	14.5	CF/CM/CU36B	1025	34.6	25.4	15.00	12.50
YCG36B21S	TM9E060A10MP12	14.5	CF42B	1025	35.4	25.8	15.25	12.50
YCG36B21S	TM9E060A10MP12	17.5	XAF/XAUB36D	1025	34.6	25.4	15.00	12.50
YCG36B21S	TM9E060A10MP12	17.5	XAFB36E	1000	35.4	25.2	15.00	12.50
YCG36B21S	TM9E060A10MP12	17.5	XAHB36D	1000	34.6	25.2	15.00	12.50
YCG36B21S	TM9E060B12MP11	17.5	CF/CM/CU36B	1100	34.6	25.8	15.25	12.50
YCG36B21S	TM9E060B12MP11	17.5	CF/CM/CU36C	975	34.6	25.0	15.25	12.50
YCG36B21S	TM9E060B12MP11	17.5	CF/CM/CU42C	975	35.4	25.2	15.50	12.75
YCG36B21S	TM9E060B12MP11	17.5	CF/CM/CU48C	975	36.0	26.0	15.75	13.00
YCG36B21S	TM9E060B12MP11	17.5	CF/CM/CU60C	975	36.0	25.6	15.75	13.00
YCG36B21S	TM9E060B12MP11	17.5	CF42B	1100	35.4	26.2	15.50	12.75
YCG36B21S	TM9E060B12MP12	17.5	CF/CM/CU36B	1075	34.6	26.0	15.00	12.50
YCG36B21S	TM9E060B12MP12	17.5	CF/CM/CU36C	1100	34.6	26.0	15.25	12.50
YCG36B21S	TM9E060B12MP12	17.5	CF/CM/CU42C	1100	35.4	26.2	15.50	12.75
YCG36B21S	TM9E060B12MP12	17.5	CF/CM/CU48C	1100	36.0	27.2	15.75	13.00
YCG36B21S	TM9E060B12MP12	17.5	CF/CM/CU60C	1100	36.0	26.6	15.50	12.75
YCG36B21S	TM9E060B12MP12	17.5	CF42B	1050	35.4	26.0	15.50	12.75
YCG36B21S	TM9E060B12MP12	17.5	XAF/XAUB36D	1050	34.6	25.8	15.00	12.50
YCG36B21S	TM9E060B12MP12	21.0	XAF/XAUC42E	1075	35.4	26.2	15.50	12.75
YCG36B21S	TM9E060B12MP12	21.0	XAF/XAUC48F	1075	35.8	25.8	15.50	12.75
YCG36B21S	TM9E060B12MP12	17.5	XAFB36E	1050	35.4	25.8	15.50	12.75
YCG36B21S	TM9E060B12MP12	21.0	XAFC36D	1050	34.6	25.8	15.25	12.50

COOLING CAPACITY - With High Efficiency Motor Furnaces¹ (Continued)

UNIT MODEL	FURNACE		COIL MODEL ²	COOLING				
	MODEL	WIDTH		RATED CFM	NET MBH		SEER	EER
					TOTAL	SENS.		
YCG36B21S	TM9E060B12MP12	17.5	XAHB36D	1025	34.6	25.6	15.00	12.50
YCG36B21S	TM9E060B12MP12	21.0	XAHC36D	1050	34.6	25.8	15.25	12.50
YCG36B21S	TM9E060B12MP12	21.0	XAHC42E	1050	35.4	25.8	15.50	12.75
YCG36B21S	TM9E060B12MP12	21.0	XAHC48F	1075	35.8	25.8	15.50	12.75
YCG36B21S	TM9E080B12MP11	17.5	CF/CM/CU36B	1150	35.0	26.8	15.50	13.25
YCG36B21S	TM9E080B12MP11	17.5	CF42B	1150	35.6	27.0	16.00	13.25
YCG36B21S	TM9E080B12MP12	17.5	CF/CM/CU36B	1050	34.6	25.6	15.50	12.75
YCG36B21S	TM9E080B12MP12	17.5	CF/CM/CU36C	1075	34.6	26.0	15.75	13.00
YCG36B21S	TM9E080B12MP12	17.5	CF/CM/CU42C	1075	35.4	26.2	16.00	13.25
YCG36B21S	TM9E080B12MP12	17.5	CF/CM/CU48C	1075	36.0	26.8	16.00	13.25
YCG36B21S	TM9E080B12MP12	17.5	CF/CM/CU60C	1075	36.0	26.6	16.00	13.25
YCG36B21S	TM9E080B12MP12	17.5	CF42B	1025	35.4	25.6	15.75	13.00
YCG36B21S	TM9E080B12MP12	17.5	XAF/XAUB36D	1025	34.6	25.4	15.50	12.75
YCG36B21S	TM9E080B12MP12	21.0	XAF/XAUC42E	1050	35.4	25.8	16.00	13.25
YCG36B21S	TM9E080B12MP12	21.0	XAF/XAUC48F	1050	35.8	25.6	16.00	13.25
YCG36B21S	TM9E080B12MP12	17.5	XAFB36E	1025	35.4	25.4	15.75	13.00
YCG36B21S	TM9E080B12MP12	21.0	XAFC36D	1025	34.6	25.4	15.75	13.00
YCG36B21S	TM9E080B12MP12	17.5	XAHB36D	1000	34.6	25.2	15.50	12.75
YCG36B21S	TM9E080B12MP12	21.0	XAHC36D	1025	34.6	25.4	15.75	13.00
YCG36B21S	TM9E080B12MP12	21.0	XAHC42E	1025	35.4	25.4	15.75	13.00
YCG36B21S	TM9E080B12MP12	21.0	XAHC48F	1075	35.8	25.8	16.00	13.50
YCG36B21S	TM9E080C16MP11	21.0	CF/CM/CU36C	975	34.6	25.0	16.00	13.50
YCG36B21S	TM9E080C16MP11	21.0	CF/CM/CU42C	975	35.4	25.2	16.25	13.50
YCG36B21S	TM9E080C16MP11	21.0	CF/CM/CU48C	975	36.0	25.8	16.50	13.75
YCG36B21S	TM9E080C16MP11	21.0	CF/CM/CU48D	975	36.0	25.8	16.50	13.75
YCG36B21S	TM9E080C16MP11	21.0	CF/CM/CU60C	975	36.0	25.6	16.50	13.75
YCG36B21S	TM9E080C16MP11	21.0	CF/CM/CU60D	1000	36.0	25.8	16.50	13.75
YCG36B21S	TM9E080C16MP11	21.0	CF/CM36D	975	34.6	25.0	16.25	13.50
YCG36B21S	TM9E080C16MP11	21.0	CF/CM42D	975	35.4	25.2	16.50	13.75
YCG36B21S	TM9E080C16MP12	21.0	CF/CM/CU36C	1075	34.6	26.0	15.75	13.00
YCG36B21S	TM9E080C16MP12	21.0	CF/CM/CU42C	1075	35.4	26.4	16.25	13.50
YCG36B21S	TM9E080C16MP12	21.0	CF/CM/CU48C	1100	36.0	27.2	16.50	13.75
YCG36B21S	TM9E080C16MP12	21.0	CF/CM/CU48D	1100	36.0	27.2	16.50	13.50
YCG36B21S	TM9E080C16MP12	21.0	CF/CM/CU60C	1075	36.0	26.6	16.25	13.50
YCG36B21S	TM9E080C16MP12	21.0	CF/CM/CU60D	1100	36.0	26.6	16.25	13.50
YCG36B21S	TM9E080C16MP12	21.0	CF/CM36D	1100	34.6	25.8	16.00	13.50
YCG36B21S	TM9E080C16MP12	21.0	CF/CM42D	1100	35.4	26.2	16.25	13.50
YCG36B21S	TM9E080C16MP12	21.0	XAF/XAUC42E	1050	35.4	25.8	16.25	13.50
YCG36B21S	TM9E080C16MP12	21.0	XAF/XAUC48F	1075	36.0	25.8	16.25	13.50
YCG36B21S	TM9E080C16MP12	21.0	XAFC36D	1050	34.6	25.8	15.75	13.00
YCG36B21S	TM9E080C16MP12	24.5	XAFD42E	1050	35.4	25.8	16.25	13.50
YCG36B21S	TM9E080C16MP12	24.5	XAFD48F	1075	35.8	25.8	16.25	13.50
YCG36B21S	TM9E080C16MP12	21.0	XAHC36D	1025	34.6	25.6	15.75	13.00
YCG36B21S	TM9E080C16MP12	21.0	XAHC42E	1025	35.4	25.6	16.00	13.50
YCG36B21S	TM9E080C16MP12	21.0	XAHC48F	1075	36.0	25.8	16.25	13.50
YCG36B21S	TM9E080C16MP12	24.5	XAHD42E	1050	35.4	25.8	16.25	13.50
YCG36B21S	TM9E080C16MP12	24.5	XAHD48F	1075	35.8	25.8	16.25	13.50
YCG36B21S	TM9E080C20MP12	21.0	CF/CM/CU36C	1225	34.6	27.2	16.00	13.50
YCG36B21S	TM9E080C20MP12	21.0	CF/CM/CU42C	1225	35.4	27.2	16.50	13.75
YCG36B21S	TM9E080C20MP12	21.0	CF/CM/CU48C	1225	36.0	28.0	16.75	13.75
YCG36B21S	TM9E080C20MP12	21.0	CF/CM/CU48D	1250	36.0	28.2	16.50	13.75
YCG36B21S	TM9E080C20MP12	21.0	CF/CM/CU60C	1225	36.0	27.4	16.75	13.75
YCG36B21S	TM9E080C20MP12	21.0	CF/CM/CU60D	1250	36.0	28.0	16.50	13.75
YCG36B21S	TM9E080C20MP12	21.0	CF/CM36D	1250	34.6	27.2	16.25	13.50
YCG36B21S	TM9E080C20MP12	21.0	CF/CM42D	1250	35.4	27.2	16.75	14.00
YCG36B21S	TM9E080C20MP12	21.0	XAF/XAUC42E	1175	35.4	27.2	16.50	13.75
YCG36B21S	TM9E080C20MP12	21.0	XAF/XAUC48F	1200	36.0	27.0	16.50	13.75
YCG36B21S	TM9E080C20MP12	21.0	XAFC36D	1175	34.6	27.2	16.00	13.50
YCG36B21S	TM9E080C20MP12	24.5	XAFD42E	1200	35.4	27.4	16.50	13.75
YCG36B21S	TM9E080C20MP12	24.5	XAFD48F	1225	35.8	27.4	16.50	13.75
YCG36B21S	TM9E080C20MP12	21.0	XAHC36D	1150	34.6	26.8	16.00	13.50
YCG36B21S	TM9E080C20MP12	21.0	XAHC42E	1150	35.4	26.8	16.25	13.50
YCG36B21S	TM9E080C20MP12	21.0	XAHC48F	1225	36.0	27.4	16.50	13.75
YCG36B21S	TM9E080C20MP12	24.5	XAHD42E	1175	35.4	27.2	16.50	13.75

COOLING CAPACITY - With High Efficiency Motor Furnaces¹ (Continued)

UNIT MODEL	FURNACE		COIL MODEL ²	COOLING				
	MODEL	WIDTH		RATED CFM	NET MBH		SEER	EER
					TOTAL	SENS.		
YCG36B21S	TM9E080C20MP12	24.5	XAHD48F	1200	35.8	27.0	16.50	13.75
YCG36B21S	TM9E100C16MP11	21.0	CF/CM/CU36C	1150	34.6	26.6	16.20	13.50
YCG36B21S	TM9E100C16MP11	21.0	CF/CM/CU36D	1175	35.0	27.0	16.25	13.50
YCG36B21S	TM9E100C16MP11	21.0	CF/CM/CU42C	1150	35.4	26.8	16.25	13.75
YCG36B21S	TM9E100C16MP11	21.0	CF/CM/CU42D	1175	36.0	27.2	16.50	13.75
YCG36B21S	TM9E100C16MP11	21.0	CF/CM/CU48C	1150	36.0	27.4	16.50	13.75
YCG36B21S	TM9E100C16MP11	21.0	CF/CM/CU48D	1175	36.0	27.8	16.50	14.00
YCG36B21S	TM9E100C16MP11	21.0	CF/CM/CU60C	1150	36.0	27.2	16.50	14.00
YCG36B21S	TM9E100C16MP11	21.0	CF/CM/CU60D	1175	36.0	27.4	16.50	14.00
YCG36B21S	TM9E100C16MP12	21.0	CF/CM/CU36C	1075	34.6	26.0	16.00	13.50
YCG36B21S	TM9E100C16MP12	21.0	CF/CM/CU42C	1075	35.4	26.4	16.50	13.75
YCG36B21S	TM9E100C16MP12	21.0	CF/CM/CU48C	1075	36.0	27.0	16.75	13.75
YCG36B21S	TM9E100C16MP12	21.0	CF/CM/CU48D	1075	36.0	27.0	16.50	13.75
YCG36B21S	TM9E100C16MP12	21.0	CF/CM/CU60C	1075	36.0	26.6	16.50	13.75
YCG36B21S	TM9E100C16MP12	21.0	CF/CM/CU60D	1075	36.0	26.6	16.25	13.50
YCG36B21S	TM9E100C16MP12	21.0	CF/CM36D	1075	34.6	26.0	16.00	13.50
YCG36B21S	TM9E100C16MP12	21.0	CF/CM42D	1075	35.4	26.2	16.50	13.75
YCG36B21S	TM9E100C16MP12	21.0	XAF/XAUC42E	1025	35.4	25.6	16.25	13.50
YCG36B21S	TM9E100C16MP12	21.0	XAF/XAUC48F	1050	36.0	25.6	16.25	13.50
YCG36B21S	TM9E100C16MP12	21.0	XAFC36D	1025	34.6	25.6	16.00	13.50
YCG36B21S	TM9E100C16MP12	24.5	XAFD42E	1050	35.4	25.8	16.50	13.75
YCG36B21S	TM9E100C16MP12	24.5	XAFD48F	1050	35.8	25.6	16.50	13.75
YCG36B21S	TM9E100C16MP12	21.0	XAHC36D	1025	34.6	25.6	16.00	13.50
YCG36B21S	TM9E100C16MP12	21.0	XAHC42E	1025	35.4	25.6	16.25	13.50
YCG36B21S	TM9E100C16MP12	21.0	XAHC48F	1050	36.0	25.6	16.50	13.75
YCG36B21S	TM9E100C16MP12	24.5	XAHD42E	1025	35.4	25.6	16.25	13.50
YCG36B21S	TM9E100C16MP12	24.5	XAHD48F	1050	35.8	25.6	16.25	13.50
YCG36B21S	TM9E100C20MP11	21.0	CF/CM/CU36C	1175	35.2	27.2	16.25	13.75
YCG36B21S	TM9E100C20MP11	21.0	CF/CM/CU36D	1200	35.4	27.6	16.25	13.75
YCG36B21S	TM9E100C20MP11	21.0	CF/CM/CU42C	1175	36.0	27.2	16.50	13.75
YCG36B21S	TM9E100C20MP11	21.0	CF/CM/CU42D	1200	36.0	27.6	16.50	13.75
YCG36B21S	TM9E100C20MP11	21.0	CF/CM/CU48C	1175	36.0	27.8	16.75	14.00
YCG36B21S	TM9E100C20MP11	21.0	CF/CM/CU48D	1200	36.0	28.0	16.75	14.00
YCG36B21S	TM9E100C20MP11	21.0	CF/CM/CU60C	1175	36.0	27.4	16.50	14.00
YCG36B21S	TM9E100C20MP11	21.0	CF/CM/CU60D	1200	36.0	27.6	17.00	14.00
YCG36B21S	TM9E100C20MP12	21.0	CF/CM/CU36C	1200	34.6	26.8	16.00	13.50
YCG36B21S	TM9E100C20MP12	21.0	CF/CM/CU42C	1225	35.4	27.2	16.50	13.75
YCG36B21S	TM9E100C20MP12	21.0	CF/CM/CU48C	1225	36.0	28.0	16.75	13.75
YCG36B21S	TM9E100C20MP12	21.0	CF/CM/CU48D	1225	36.0	28.0	16.50	13.75
YCG36B21S	TM9E100C20MP12	21.0	CF/CM/CU60C	1225	36.0	27.4	16.75	14.00
YCG36B21S	TM9E100C20MP12	21.0	CF/CM/CU60D	1250	36.0	28.0	16.50	13.75
YCG36B21S	TM9E100C20MP12	21.0	CF/CM36D	1225	34.6	27.2	16.25	13.50
YCG36B21S	TM9E100C20MP12	21.0	CF/CM42D	1225	35.4	27.2	16.50	13.75
YCG36B21S	TM9E100C20MP12	21.0	XAF/XAUC42E	1175	35.4	27.2	16.50	13.75
YCG36B21S	TM9E100C20MP12	21.0	XAF/XAUC48F	1175	36.0	26.8	16.50	13.75
YCG36B21S	TM9E100C20MP12	21.0	XAFC36D	1150	34.6	26.8	16.00	13.50
YCG36B21S	TM9E100C20MP12	24.5	XAFD42E	1175	35.4	27.2	16.50	13.75
YCG36B21S	TM9E100C20MP12	24.5	XAFD48F	1200	35.8	27.0	16.50	13.75
YCG36B21S	TM9E100C20MP12	21.0	XAHC36D	1150	34.6	26.8	16.00	13.50
YCG36B21S	TM9E100C20MP12	21.0	XAHC42E	1150	35.4	26.8	16.25	13.50
YCG36B21S	TM9E100C20MP12	21.0	XAHC48F	1200	36.0	27.0	16.50	13.75
YCG36B21S	TM9E100C20MP12	24.5	XAHD42E	1150	35.4	26.8	16.50	13.75
YCG36B21S	TM9E100C20MP12	24.5	XAHD48F	1200	35.8	27.0	16.50	13.75
YCG36B21S	TM9E120D20MP11	24.5	CF/CM/CU36D	1250	35.6	28.0	16.50	14.00
YCG36B21S	TM9E120D20MP11	24.5	CF/CM/CU42D	1250	36.0	27.8	16.50	14.00
YCG36B21S	TM9E120D20MP11	24.5	CF/CM/CU48D	1250	36.0	28.2	17.00	14.00
YCG36B21S	TM9E120D20MP11	24.5	CF/CM/CU60D	1250	36.0	28.0	17.00	14.25
YCG36B21S	TM9E120D20MP12	24.5	CF/CM/CU48D	1250	36.0	28.2	16.75	13.75
YCG36B21S	TM9E120D20MP12	24.5	CF/CM/CU60D	1250	36.0	27.8	16.50	13.75
YCG36B21S	TM9E120D20MP12	24.5	CF/CM36D	1250	34.6	27.2	16.00	13.50
YCG36B21S	TM9E120D20MP12	24.5	CF/CM42D	1250	35.4	27.2	16.50	13.75
YCG36B21S	TM9E120D20MP12	24.5	XAFD42E	1200	35.4	27.6	16.50	13.75
YCG36B21S	TM9E120D20MP12	24.5	XAFD48F	1225	36.0	27.2	16.50	13.75
YCG36B21S	TM9E120D20MP12	24.5	XAHD42E	1175	35.4	27.2	16.25	13.50

COOLING CAPACITY - With High Efficiency Motor Furnaces¹ (Continued)

UNIT MODEL	FURNACE		COIL MODEL ²	COOLING				
	MODEL	WIDTH		RATED CFM	NET MBH		SEER	EER
					TOTAL	SENS.		
YCG36B21S	TM9E120D20MP12	24.5	XAHD48F	1200	36.0	27.0	16.25	13.50
YCG36B21S	TM9V060B12MP11C	17.5	CF/CM/CU36B	1000	34.6	25.0	15.50	12.75
YCG36B21S	TM9V060B12MP11C	17.5	CF/CM/CU36C	1000	34.6	25.0	15.25	12.50
YCG36B21S	TM9V060B12MP11C	17.5	CF/CM/CU42C	1000	35.4	25.4	15.75	13.00
YCG36B21S	TM9V060B12MP11C	17.5	CF/CM/CU48C	1000	36.0	26.2	15.75	13.00
YCG36B21S	TM9V060B12MP11C	17.5	CF/CM/CU60C	1000	36.0	25.8	15.75	13.00
YCG36B21S	TM9V060B12MP11C	17.5	CF42B	1000	35.4	25.4	15.75	13.00
YCG36B21S	TM9V060B12MP12C	17.5	CF/CM/CU36B	1000	34.6	25.0	15.50	12.75
YCG36B21S	TM9V060B12MP12C	17.5	CF/CM/CU36C	1000	34.6	25.0	15.25	12.50
YCG36B21S	TM9V060B12MP12C	17.5	CF/CM/CU42C	1000	35.4	25.4	15.75	13.00
YCG36B21S	TM9V060B12MP12C	17.5	CF/CM/CU48C	1000	36.0	26.2	15.75	13.00
YCG36B21S	TM9V060B12MP12C	17.5	CF/CM/CU60C	1000	36.0	25.8	15.75	13.00
YCG36B21S	TM9V060B12MP12C	17.5	CF42B	1000	35.4	25.4	15.75	13.00
YCG36B21S	TM9V060B12MP12C	17.5	XAF/XAUB36D	1000	34.6	25.2	15.50	12.75
YCG36B21S	TM9V060B12MP12C	21.0	XAF/XAUC42E	1000	35.4	25.2	15.50	12.75
YCG36B21S	TM9V060B12MP12C	21.0	XAF/XAUC48F	1000	35.8	25.0	15.50	12.75
YCG36B21S	TM9V060B12MP12C	17.5	XAFB36E	1025	35.4	25.4	15.50	12.75
YCG36B21S	TM9V060B12MP12C	21.0	XAFC36D	1000	34.6	25.2	15.25	12.50
YCG36B21S	TM9V060B12MP12C	17.5	XAHB36D	1025	34.6	25.6	15.25	12.75
YCG36B21S	TM9V060B12MP12C	21.0	XAHC36D	1025	34.6	25.4	15.25	12.50
YCG36B21S	TM9V060B12MP12C	21.0	XAHC42E	1025	35.4	25.4	15.50	12.75
YCG36B21S	TM9V060B12MP12C	21.0	XAHC48F	1000	35.8	25.0	15.75	13.00
YCG36B21S	TM9V080B12MP12C	17.5	CF/CM/CU36B	1175	34.8	27.0	15.75	13.25
YCG36B21S	TM9V080B12MP12C	17.5	CF42B	1075	35.4	26.2	16.00	13.25
YCG36B21S	TM9V080B12MP12C	17.5	XAF/XAUB36D	1075	34.6	26.0	15.75	13.00
YCG36B21S	TM9V080B12MP12C	21.0	XAF/XAUC42E	1075	35.4	26.0	15.75	13.00
YCG36B21S	TM9V080B12MP12C	21.0	XAF/XAUC48F	1050	35.8	25.6	16.00	13.25
YCG36B21S	TM9V080B12MP12C	17.5	XAFB36E	1075	35.4	26.0	15.75	13.00
YCG36B21S	TM9V080B12MP12C	21.0	XAFC36D	1075	34.6	26.0	15.75	13.00
YCG36B21S	TM9V080B12MP12C	17.5	XAHB36D	1075	34.8	26.0	15.50	12.75
YCG36B21S	TM9V080B12MP12C	21.0	XAHC36D	1075	34.6	26.0	15.75	13.00
YCG36B21S	TM9V080B12MP12C	21.0	XAHC42E	1075	35.4	26.0	15.75	13.00
YCG36B21S	TM9V080B12MP12C	21.0	XAHC48F	1050	35.8	25.6	16.00	13.25
YCG36B21S	TM9V080C16MP12C	21.0	CF/CM/CU36C	950	35.0	25.0	16.25	13.50
YCG36B21S	TM9V080C16MP12C	21.0	CF/CM/CU42C	950	35.6	25.2	16.50	13.75
YCG36B21S	TM9V080C16MP12C	21.0	CF/CM/CU48C	950	36.0	25.6	16.50	13.75
YCG36B21S	TM9V080C16MP12C	21.0	CF/CM/CU48D	950	36.0	25.6	16.50	13.75
YCG36B21S	TM9V080C16MP12C	21.0	CF/CM/CU60C	950	36.0	25.2	16.25	13.50
YCG36B21S	TM9V080C16MP12C	21.0	CF/CM/CU60D	950	36.0	25.2	16.25	13.50
YCG36B21S	TM9V080C16MP12C	21.0	CF/CM36D	950	35.0	25.0	16.25	13.50
YCG36B21S	TM9V080C16MP12C	21.0	CF/CM42D	950	35.6	25.2	16.50	13.75
YCG36B21S	TM9V080C16MP12C	21.0	XAF/XAUC42E	1025	35.6	25.6	16.00	13.50
YCG36B21S	TM9V080C16MP12C	21.0	XAF/XAUC48F	1025	36.0	25.2	16.00	13.50
YCG36B21S	TM9V080C16MP12C	21.0	XAFC36D	1025	35.0	25.4	16.00	13.50
YCG36B21S	TM9V080C16MP12C	24.5	XAFD42E	1025	35.6	25.6	16.00	13.50
YCG36B21S	TM9V080C16MP12C	24.5	XAFD48F	1025	35.8	25.2	16.25	13.50
YCG36B21S	TM9V080C16MP12C	21.0	XAHC36D	1025	35.0	25.4	16.00	13.25
YCG36B21S	TM9V080C16MP12C	21.0	XAHC42E	1025	35.6	25.4	16.00	13.25
YCG36B21S	TM9V080C16MP12C	21.0	XAHC48F	1025	36.0	25.2	16.25	13.50
YCG36B21S	TM9V080C16MP12C	24.5	XAHD42E	1025	35.6	25.4	16.00	13.25
YCG36B21S	TM9V080C16MP12C	24.5	XAHD48F	1025	35.8	25.2	16.00	13.50
YCG36B21S	TM9V100C16MP12C	21.0	CF/CM/CU36C	1175	35.4	27.4	16.20	13.75
YCG36B21S	TM9V100C16MP12C	21.0	CF/CM/CU36D	1175	36.0	27.8	16.50	13.75
YCG36B21S	TM9V100C16MP12C	21.0	CF/CM/CU42C	1175	36.0	27.2	16.50	13.75
YCG36B21S	TM9V100C16MP12C	21.0	CF/CM/CU42D	1175	36.0	27.2	16.75	14.00
YCG36B21S	TM9V100C16MP12C	21.0	CF/CM/CU48C	1175	36.0	27.8	16.50	13.75
YCG36B21S	TM9V100C16MP12C	21.0	CF/CM/CU48D	1175	36.0	27.8	16.50	14.00
YCG36B21S	TM9V100C16MP12C	21.0	CF/CM/CU60C	1175	36.0	27.4	16.50	14.00
YCG36B21S	TM9V100C16MP12C	21.0	CF/CM/CU60D	1175	36.0	27.4	16.50	14.00
YCG36B21S	TM9V100C16MP12C	21.0	XAF/XAUC42E	1100	36.0	26.4	16.25	13.50
YCG36B21S	TM9V100C16MP12C	21.0	XAF/XAUC48F	1000	36.0	25.0	16.50	13.75
YCG36B21S	TM9V100C16MP12C	21.0	XAFC36D	1000	35.4	25.2	16.25	13.50
YCG36B21S	TM9V100C16MP12C	24.5	XAFD42E	1100	35.8	26.4	16.50	13.75
YCG36B21S	TM9V100C16MP12C	24.5	XAFD48F	1000	35.8	25.0	16.50	13.75

COOLING CAPACITY - With High Efficiency Motor Furnaces¹ (Continued)

UNIT MODEL	FURNACE		COIL MODEL ²	COOLING				
	MODEL	WIDTH		RATED CFM	NET MBH		SEER	EER
					TOTAL	SENS.		
YCG36B21S	TM9V100C16MP12C	21.0	XAHC36D	1000	35.4	25.2	16.25	13.50
YCG36B21S	TM9V100C16MP12C	21.0	XAHC42E	1000	36.0	25.2	16.25	13.50
YCG36B21S	TM9V100C16MP12C	21.0	XAHC48F	1000	36.0	25.0	16.50	13.75
YCG36B21S	TM9V100C16MP12C	24.5	XAHD42E	1100	35.8	26.4	16.25	13.50
YCG36B21S	TM9V100C16MP12C	24.5	XAHD48F	1000	35.8	25.0	16.50	13.75
YCG36B21S	TM9V100C20MP12C	21.0	CF/CM/CU36C	1225	35.2	27.8	15.75	13.50
YCG36B21S	TM9V100C20MP12C	21.0	CF/CM/CU36D	1225	36.0	28.2	16.50	13.75
YCG36B21S	TM9V100C20MP12C	21.0	CF/CM/CU42C	1225	35.4	27.2	16.25	13.50
YCG36B21S	TM9V100C20MP12C	21.0	CF/CM/CU42D	1225	36.0	27.8	16.50	14.00
YCG36B21S	TM9V100C20MP12C	21.0	CF/CM/CU48C	1225	36.0	28.0	16.25	13.50
YCG36B21S	TM9V100C20MP12C	21.0	CF/CM/CU48D	1225	36.0	28.0	16.50	13.75
YCG36B21S	TM9V100C20MP12C	21.0	CF/CM/CU60C	1225	36.0	27.6	16.50	13.50
YCG36B21S	TM9V100C20MP12C	21.0	CF/CM/CU60D	1225	36.0	27.6	16.50	14.00
YCG36B21S	TM9V100C20MP12C	21.0	XAF/XAUC42E	1100	35.4	26.4	16.25	13.50
YCG36B21S	TM9V100C20MP12C	21.0	XAF/XAUC48F	1100	36.0	26.0	16.25	13.50
YCG36B21S	TM9V100C20MP12C	21.0	XAFC36D	1100	35.2	26.2	15.75	13.00
YCG36B21S	TM9V100C20MP12C	24.5	XAFD42E	1100	35.8	26.4	16.25	13.50
YCG36B21S	TM9V100C20MP12C	24.5	XAFD48F	1100	35.8	26.0	16.25	13.50
YCG36B21S	TM9V100C20MP12C	21.0	XAHC36D	1125	35.2	26.6	15.75	13.00
YCG36B21S	TM9V100C20MP12C	21.0	XAHC42E	1125	35.4	26.6	16.00	13.50
YCG36B21S	TM9V100C20MP12C	21.0	XAHC48F	1100	36.0	26.0	16.25	13.50
YCG36B21S	TM9V100C20MP12C	24.5	XAHD42E	1100	35.8	26.4	16.00	13.50
YCG36B21S	TM9V100C20MP12C	24.5	XAHD48F	1100	35.8	26.0	16.25	13.50
YCG36B21S	TM9V120D20MP12C	24.5	CF/CM/CU36D	1200	34.6	26.8	16.50	14.25
YCG36B21S	TM9V120D20MP12C	24.5	CF/CM/CU42D	1200	35.8	27.4	16.75	13.75
YCG36B21S	TM9V120D20MP12C	24.5	CF/CM/CU48D	1200	36.0	28.0	16.75	13.75
YCG36B21S	TM9V120D20MP12C	24.5	CF/CM/CU60D	1200	36.0	27.6	16.75	14.00
YCG36B21S	TM9V120D20MP12C	24.5	XAFD42E	1050	35.8	25.8	16.50	13.75
YCG36B21S	TM9V120D20MP12C	24.5	XAFD48F	1050	36.0	25.6	16.50	13.75
YCG36B21S	TM9V120D20MP12C	24.5	XAHD42E	1050	35.8	25.8	16.50	13.75
YCG36B21S	TM9V120D20MP12C	24.5	XAHD48F	1050	36.0	25.6	16.50	13.75
YCG36B21S	TM9Y060B12MP11	17.5	CF/CM/CU36B	1100	34.6	25.8	15.25	12.50
YCG36B21S	TM9Y060B12MP11	17.5	CF/CM/CU36C	975	34.6	25.0	15.25	12.50
YCG36B21S	TM9Y060B12MP11	17.5	CF/CM/CU42C	975	35.4	25.2	15.50	12.75
YCG36B21S	TM9Y060B12MP11	17.5	CF/CM/CU48C	975	36.0	26.0	15.75	13.00
YCG36B21S	TM9Y060B12MP11	17.5	CF/CM/CU60C	975	36.0	25.6	15.75	13.00
YCG36B21S	TM9Y060B12MP11	17.5	CF42B	1100	35.4	26.2	15.50	12.75
YCG36B21S	TM9Y060B12MP11	17.5	XAF/XAUB36D	1100	34.6	26.4	15.25	12.75
YCG36B21S	TM9Y060B12MP11	21.0	XAF/XAUC42E	1100	35.4	26.4	15.25	12.75
YCG36B21S	TM9Y060B12MP11	21.0	XAF/XAUC48F	1125	35.8	26.2	15.50	12.75
YCG36B21S	TM9Y060B12MP11	17.5	XAFB36E	1100	35.4	26.4	15.25	12.75
YCG36B21S	TM9Y060B12MP11	21.0	XAFC36D	1100	34.6	26.4	15.25	12.50
YCG36B21S	TM9Y060B12MP11	17.5	XAHB36D	1050	34.6	25.8	15.00	12.50
YCG36B21S	TM9Y060B12MP11	21.0	XAHC36D	1100	34.6	26.4	15.25	12.50
YCG36B21S	TM9Y060B12MP11	21.0	XAHC42E	1100	35.4	26.4	15.25	12.75
YCG36B21S	TM9Y060B12MP11	21.0	XAHC48F	1125	35.8	26.2	15.50	12.75
YCG36B21S	TM9Y080B12MP11	17.5	CF/CM/CU36B	1150	35.0	26.8	15.50	13.25
YCG36B21S	TM9Y080B12MP11	17.5	CF42B	1150	35.6	27.0	16.00	13.25
YCG36B21S	TM9Y080B12MP11	17.5	XAF/XAUB36D	1125	34.6	26.6	15.50	12.75
YCG36B21S	TM9Y080B12MP11	21.0	XAF/XAUC42E	1150	35.4	27.0	15.50	12.75
YCG36B21S	TM9Y080B12MP11	21.0	XAF/XAUC48F	1150	35.8	26.6	15.50	12.75
YCG36B21S	TM9Y080B12MP11	17.5	XAFB36E	1125	35.4	26.6	15.50	12.75
YCG36B21S	TM9Y080B12MP11	21.0	XAFC36D	1150	34.6	26.8	15.50	12.75
YCG36B21S	TM9Y080B12MP11	17.5	XAHB36D	1100	34.6	26.4	15.25	12.75
YCG36B21S	TM9Y080B12MP11	21.0	XAHC36D	1125	34.6	26.6	15.50	12.75
YCG36B21S	TM9Y080B12MP11	21.0	XAHC42E	1125	35.4	26.6	15.50	12.75
YCG36B21S	TM9Y080B12MP11	21.0	XAHC48F	1000	35.8	25.0	16.00	13.50
YCG36B21S	TM9Y080C16MP11	21.0	CF/CM/CU36C	975	34.6	25.0	16.00	13.50
YCG36B21S	TM9Y080C16MP11	21.0	CF/CM/CU42C	975	35.4	25.2	16.25	13.50
YCG36B21S	TM9Y080C16MP11	21.0	CF/CM/CU48C	975	36.0	25.8	16.50	13.75
YCG36B21S	TM9Y080C16MP11	21.0	CF/CM/CU48D	975	36.0	25.8	16.50	13.75
YCG36B21S	TM9Y080C16MP11	21.0	CF/CM/CU60C	975	36.0	25.6	16.50	13.75
YCG36B21S	TM9Y080C16MP11	21.0	CF/CM/CU60D	1000	36.0	25.8	16.50	13.75
YCG36B21S	TM9Y080C16MP11	21.0	CF/CM36D	975	34.6	25.0	16.25	13.50

COOLING CAPACITY - With High Efficiency Motor Furnaces¹ (Continued)

UNIT MODEL	FURNACE		COIL MODEL ²	COOLING				
	MODEL	WIDTH		RATED CFM	NET MBH		SEER	EER
					TOTAL	SENS.		
YCG36B21S	TM9Y080C16MP11	21.0	CF/CM42D	975	35.4	25.2	16.50	13.75
YCG36B21S	TM9Y080C16MP11	21.0	XAF/XAUC42E	1100	35.4	26.2	16.00	13.50
YCG36B21S	TM9Y080C16MP11	21.0	XAF/XAUC48F	1125	36.0	26.4	16.00	13.50
YCG36B21S	TM9Y080C16MP11	21.0	XAFC36D	1100	34.6	26.2	15.75	13.00
YCG36B21S	TM9Y080C16MP11	24.5	XAFD42E	1100	35.4	26.4	16.00	13.50
YCG36B21S	TM9Y080C16MP11	24.5	XAFD48F	1125	35.8	26.4	16.00	13.50
YCG36B21S	TM9Y080C16MP11	21.0	XAHC36D	1075	34.8	26.0	15.75	13.00
YCG36B21S	TM9Y080C16MP11	21.0	XAHC42E	1075	35.4	26.2	16.00	13.25
YCG36B21S	TM9Y080C16MP11	21.0	XAHC48F	1125	36.0	26.4	16.25	13.50
YCG36B21S	TM9Y080C16MP11	24.5	XAHD42E	1100	35.4	26.2	16.00	13.50
YCG36B21S	TM9Y080C16MP11	24.5	XAHD48F	1125	35.8	26.4	16.00	13.50
YCG36B21S	TM9Y100C16MP11	21.0	CF/CM/CU36C	1150	34.6	26.6	16.20	13.50
YCG36B21S	TM9Y100C16MP11	21.0	CF/CM/CU36D	1175	35.0	27.0	16.25	13.50
YCG36B21S	TM9Y100C16MP11	21.0	CF/CM/CU42C	1150	35.4	26.8	16.25	13.75
YCG36B21S	TM9Y100C16MP11	21.0	CF/CM/CU42D	1175	36.0	27.2	16.50	13.75
YCG36B21S	TM9Y100C16MP11	21.0	CF/CM/CU48C	1150	36.0	27.4	16.50	13.75
YCG36B21S	TM9Y100C16MP11	21.0	CF/CM/CU48D	1175	36.0	27.8	16.50	14.00
YCG36B21S	TM9Y100C16MP11	21.0	CF/CM/CU60C	1150	36.0	27.2	16.50	14.00
YCG36B21S	TM9Y100C16MP11	21.0	CF/CM/CU60D	1175	36.0	27.4	16.50	14.00
YCG36B21S	TM9Y100C16MP11	21.0	XAF/XAUC42E	1100	35.4	26.4	16.25	13.50
YCG36B21S	TM9Y100C16MP11	21.0	XAF/XAUC48F	1125	36.0	26.4	16.25	13.50
YCG36B21S	TM9Y100C16MP11	21.0	XAFC36D	1100	34.6	26.2	16.00	13.50
YCG36B21S	TM9Y100C16MP11	24.5	XAFD42E	1125	35.4	26.6	16.25	13.50
YCG36B21S	TM9Y100C16MP11	24.5	XAFD48F	1125	35.8	26.4	16.25	13.50
YCG36B21S	TM9Y100C16MP11	21.0	XAHC36D	1075	34.6	26.0	16.00	13.50
YCG36B21S	TM9Y100C16MP11	21.0	XAHC42E	1075	35.4	26.2	16.00	13.50
YCG36B21S	TM9Y100C16MP11	21.0	XAHC48F	1125	36.0	26.4	16.25	13.50
YCG36B21S	TM9Y100C16MP11	24.5	XAHD42E	1100	35.4	26.4	16.25	13.50
YCG36B21S	TM9Y100C16MP11	24.5	XAHD48F	1125	35.8	26.4	16.25	13.50
YCG36B21S	TM9Y100C20MP11	21.0	CF/CM/CU36C	1175	35.2	27.2	16.25	13.75
YCG36B21S	TM9Y100C20MP11	21.0	CF/CM/CU36D	1200	35.4	27.6	16.25	13.75
YCG36B21S	TM9Y100C20MP11	21.0	CF/CM/CU42C	1175	36.0	27.2	16.50	13.75
YCG36B21S	TM9Y100C20MP11	21.0	CF/CM/CU42D	1200	36.0	27.6	16.50	13.75
YCG36B21S	TM9Y100C20MP11	21.0	CF/CM/CU48C	1175	36.0	27.8	16.75	14.00
YCG36B21S	TM9Y100C20MP11	21.0	CF/CM/CU48D	1200	36.0	28.0	16.75	14.00
YCG36B21S	TM9Y100C20MP11	21.0	CF/CM/CU60C	1175	36.0	27.4	16.50	14.00
YCG36B21S	TM9Y100C20MP11	21.0	CF/CM/CU60D	1200	36.0	27.6	17.00	14.00
YCG36B21S	TM9Y100C20MP11	21.0	XAF/XAUC42E	1125	35.4	26.6	16.25	13.50
YCG36B21S	TM9Y100C20MP11	21.0	XAF/XAUC48F	1150	36.0	26.4	16.25	13.50
YCG36B21S	TM9Y100C20MP11	21.0	XAFC36D	1125	34.6	26.6	16.00	13.50
YCG36B21S	TM9Y100C20MP11	24.5	XAFD42E	1150	35.4	26.8	16.25	13.50
YCG36B21S	TM9Y100C20MP11	24.5	XAFD48F	1150	35.8	26.4	16.25	13.50
YCG36B21S	TM9Y100C20MP11	21.0	XAHC36D	1100	34.6	26.2	16.00	13.50
YCG36B21S	TM9Y100C20MP11	21.0	XAHC42E	1100	35.4	26.4	16.00	13.50
YCG36B21S	TM9Y100C20MP11	21.0	XAHC48F	1150	36.0	26.4	16.25	13.50
YCG36B21S	TM9Y100C20MP11	24.5	XAHD42E	1125	35.4	26.6	16.25	13.50
YCG36B21S	TM9Y100C20MP11	24.5	XAHD48F	1150	35.8	26.4	16.25	13.50
YCG36B21S	TM9Y120D20MP11	24.5	CF/CM/CU36D	1250	35.6	28.0	16.50	14.00
YCG36B21S	TM9Y120D20MP11	24.5	CF/CM/CU42D	1250	36.0	27.8	16.50	14.00
YCG36B21S	TM9Y120D20MP11	24.5	CF/CM/CU48D	1250	36.0	28.2	17.00	14.00
YCG36B21S	TM9Y120D20MP11	24.5	CF/CM/CU60D	1250	36.0	28.0	17.00	14.25
YCG36B21S	TM9Y120D20MP11	24.5	XAFD42E	1200	35.4	27.4	16.50	13.75
YCG36B21S	TM9Y120D20MP11	24.5	XAFD48F	1225	36.0	27.2	16.50	13.75
YCG36B21S	TM9Y120D20MP11	24.5	XAHD42E	1175	35.4	27.2	16.25	13.50
YCG36B21S	TM9Y120D20MP11	24.5	XAHD48F	1225	36.0	27.2	16.50	13.75
YCG36B21S	TMLE040A12MP11	17.5	XAF/XAUB36D	1000	34.6	25.2	15.75	13.00
YCG36B21S	TMLE040A12MP11	17.5	XAFB36E	1000	35.4	25.2	15.75	13.00
YCG36B21S	TMLE040A12MP11	17.5	XAHB36D	1150	34.6	26.8	15.50	12.75
YCG36B21S	TMLE060A12MP11	17.5	XAF/XAUB36D	1000	34.6	25.2	15.75	13.00
YCG36B21S	TMLE060A12MP11	17.5	XAFB36E	1000	35.4	25.2	15.75	13.00
YCG36B21S	TMLE060A12MP11	17.5	XAHB36D	1175	34.6	27.0	15.25	12.75
YCG36B21S	TMLE080B12MP11	17.5	XAF/XAUB36D	1000	34.6	25.2	15.75	13.00
YCG36B21S	TMLE080B12MP11	21.0	XAF/XAUC42E	1025	35.4	25.6	16.00	13.50
YCG36B21S	TMLE080B12MP11	21.0	XAF/XAUC48F	1025	35.8	25.2	16.00	13.50

COOLING CAPACITY - With High Efficiency Motor Furnaces¹ (Continued)

UNIT MODEL	FURNACE		COIL MODEL ²	COOLING				
	MODEL	WIDTH		RATED CFM	NET MBH		SEER	EER
					TOTAL	SENS.		
YCG36B21S	TMLE080B12MP11	17.5	XAFB36E	1000	35.4	25.2	16.00	13.00
YCG36B21S	TMLE080B12MP11	21.0	XAFC36D	1000	34.6	25.2	15.75	13.00
YCG36B21S	TMLE080B12MP11	17.5	XAHB36D	1150	34.6	26.8	15.00	12.75
YCG36B21S	TMLE080B12MP11	21.0	XAHC36D	1000	34.6	25.2	15.75	13.00
YCG36B21S	TMLE080B12MP11	21.0	XAHC42E	1000	35.4	25.2	16.00	13.25
YCG36B21S	TMLE080B12MP11	21.0	XAHC48F	1050	35.8	25.6	16.25	13.50
YCG36B21S	TMLE080C16MP11	21.0	XAF/XAUC42E	1050	35.4	25.8	16.50	13.75
YCG36B21S	TMLE080C16MP11	21.0	XAF/XAUC48F	1075	36.0	25.8	16.50	13.75
YCG36B21S	TMLE080C16MP11	21.0	XAFC36D	1050	34.6	25.8	16.25	13.50
YCG36B21S	TMLE080C16MP11	24.5	XAFD42E	1050	35.4	25.8	16.50	13.75
YCG36B21S	TMLE080C16MP11	24.5	XAFD48F	1075	35.8	25.8	16.50	13.75
YCG36B21S	TMLE080C16MP11	21.0	XAHC36D	1025	34.6	25.6	16.25	13.50
YCG36B21S	TMLE080C16MP11	21.0	XAHC42E	1025	35.4	25.6	16.25	13.50
YCG36B21S	TMLE080C16MP11	21.0	XAHC48F	1075	36.0	25.8	16.50	13.75
YCG36B21S	TMLE080C16MP11	24.5	XAHD42E	1050	35.4	25.8	16.50	13.75
YCG36B21S	TMLE080C16MP11	24.5	XAHD48F	1075	35.8	25.8	16.50	13.75
YCG36B21S	TMLE080C20MP11	21.0	XAF/XAUC42E	1200	35.4	27.4	16.50	13.75
YCG36B21S	TMLE080C20MP11	21.0	XAF/XAUC48F	1225	36.0	27.2	16.50	13.75
YCG36B21S	TMLE080C20MP11	21.0	XAFC36D	1200	34.6	27.2	16.00	13.50
YCG36B21S	TMLE080C20MP11	24.5	XAFD42E	1225	35.4	27.6	16.50	13.75
YCG36B21S	TMLE080C20MP11	24.5	XAFD48F	1225	35.8	27.2	16.50	13.75
YCG36B21S	TMLE080C20MP11	21.0	XAHC36D	1175	34.6	27.0	16.00	13.50
YCG36B21S	TMLE080C20MP11	21.0	XAHC42E	1175	35.4	27.2	16.25	13.50
YCG36B21S	TMLE080C20MP11	21.0	XAHC48F	1225	36.0	27.2	16.50	13.75
YCG36B21S	TMLE080C20MP11	24.5	XAHD42E	1200	35.4	27.6	16.50	13.75
YCG36B21S	TMLE080C20MP11	24.5	XAHD48F	1225	35.8	27.2	16.50	13.75
YCG36B21S	TMLE100B12MP11	17.5	XAF/XAUB36D	1050	34.6	25.8	15.75	13.00
YCG36B21S	TMLE100B12MP11	21.0	XAF/XAUC42E	1075	35.4	26.2	16.00	13.50
YCG36B21S	TMLE100B12MP11	21.0	XAF/XAUC48F	1075	35.8	25.8	16.00	13.50
YCG36B21S	TMLE100B12MP11	17.5	XAFB36E	1050	35.4	25.8	16.00	13.00
YCG36B21S	TMLE100B12MP11	21.0	XAFC36D	1050	34.6	25.8	15.75	13.00
YCG36B21S	TMLE100B12MP11	17.5	XAHB36D	1025	34.6	25.6	15.75	13.00
YCG36B21S	TMLE100B12MP11	21.0	XAHC36D	1050	34.6	25.8	15.75	13.00
YCG36B21S	TMLE100B12MP11	21.0	XAHC42E	1050	35.4	25.8	16.00	13.25
YCG36B21S	TMLE100B12MP11	21.0	XAHC48F	1075	35.8	25.8	16.00	13.50
YCG36B21S	TMLE100C16MP11	21.0	XAF/XAUC42E	1075	35.4	26.0	16.50	13.75
YCG36B21S	TMLE100C16MP11	21.0	XAF/XAUC48F	1075	36.0	25.8	16.50	13.75
YCG36B21S	TMLE100C16MP11	21.0	XAFC36D	1075	34.6	26.0	16.00	13.50
YCG36B21S	TMLE100C16MP11	24.5	XAFD42E	1075	35.4	26.2	16.50	13.75
YCG36B21S	TMLE100C16MP11	24.5	XAFD48F	1100	35.8	26.0	16.50	13.75
YCG36B21S	TMLE100C16MP11	21.0	XAHC36D	1050	34.6	25.6	16.00	13.50
YCG36B21S	TMLE100C16MP11	21.0	XAHC42E	1050	35.4	25.8	16.25	13.50
YCG36B21S	TMLE100C16MP11	21.0	XAHC48F	1100	36.0	26.0	16.50	13.75
YCG36B21S	TMLE100C16MP11	24.5	XAHD42E	1050	35.4	25.8	16.25	13.50
YCG36B21S	TMLE100C16MP11	24.5	XAHD48F	1100	35.8	26.0	16.50	13.75
YCG36B21S	TMLE100C20MP11	21.0	XAF/XAUC42E	1200	35.4	27.6	16.50	13.75
YCG36B21S	TMLE100C20MP11	21.0	XAF/XAUC48F	1225	36.0	27.2	16.50	13.75
YCG36B21S	TMLE100C20MP11	21.0	XAFC36D	1200	34.6	27.4	16.00	13.50
YCG36B21S	TMLE100C20MP11	24.5	XAFD42E	1225	35.4	27.6	16.50	13.75
YCG36B21S	TMLE100C20MP11	24.5	XAFD48F	1225	35.8	27.2	16.50	13.75
YCG36B21S	TMLE100C20MP11	21.0	XAHC36D	1175	34.6	27.0	16.00	13.50
YCG36B21S	TMLE100C20MP11	21.0	XAHC42E	1175	35.4	27.2	16.25	13.50
YCG36B21S	TMLE100C20MP11	21.0	XAHC48F	1225	36.0	27.2	16.50	13.75
YCG36B21S	TMLE100C20MP11	24.5	XAHD42E	1200	35.4	27.6	16.50	13.75
YCG36B21S	TMLE100C20MP11	24.5	XAHD48F	1225	35.8	27.2	16.50	13.75
YCG36B21S	TMLE120C16MP11	21.0	XAF/XAUC42E	1075	35.4	26.2	16.50	13.75
YCG36B21S	TMLE120C16MP11	21.0	XAF/XAUC48F	1100	36.0	26.0	16.50	13.75
YCG36B21S	TMLE120C16MP11	21.0	XAFC36D	1075	34.6	26.0	16.00	13.50
YCG36B21S	TMLE120C16MP11	24.5	XAFD42E	1075	35.4	26.2	16.50	13.75
YCG36B21S	TMLE120C16MP11	24.5	XAFD48F	1100	35.8	26.0	16.50	13.75
YCG36B21S	TMLE120C16MP11	21.0	XAHC36D	1050	34.6	25.8	16.00	13.50
YCG36B21S	TMLE120C16MP11	21.0	XAHC42E	1050	35.4	25.8	16.25	13.50
YCG36B21S	TMLE120C16MP11	21.0	XAHC48F	1100	36.0	26.0	16.50	13.75
YCG36B21S	TMLE120C16MP11	24.5	XAHD42E	1075	35.4	26.0	16.50	13.75

COOLING CAPACITY - With High Efficiency Motor Furnaces¹ (Continued)

UNIT MODEL	FURNACE		COIL MODEL ²	COOLING				
	MODEL	WIDTH		RATED CFM	NET MBH		SEER	EER
					TOTAL	SENS.		
YCG36B21S	TMLE120C16MP11	24.5	XAHD48F	1100	35.8	26.0	16.50	13.75
YCG36B21S	TMLE120C20MP11	21.0	XAF/XAUC42E	1250	35.4	27.8	16.50	13.75
YCG36B21S	TMLE120C20MP11	21.0	XAF/XAUC48F	1250	36.0	27.6	16.50	13.75
YCG36B21S	TMLE120C20MP11	21.0	XAFC36D	1225	34.6	27.4	16.00	13.25
YCG36B21S	TMLE120C20MP11	24.5	XAFD42E	1250	35.4	27.8	16.50	13.75
YCG36B21S	TMLE120C20MP11	24.5	XAFD48F	1275	35.8	27.6	16.50	13.75
YCG36B21S	TMLE120C20MP11	21.0	XAHC36D	1225	34.6	27.4	16.00	13.25
YCG36B21S	TMLE120C20MP11	21.0	XAHC42E	1225	35.4	27.6	16.25	13.50
YCG36B21S	TMLE120C20MP11	21.0	XAHC48F	1275	36.0	27.6	16.50	13.75
YCG36B21S	TMLE120C20MP11	24.5	XAHD42E	1225	35.4	27.6	16.25	13.50
YCG36B21S	TMLE120C20MP11	24.5	XAHD48F	1275	35.8	27.6	16.50	13.75
YCG36B21S	TMLE130D20MP11	24.5	XAFD42E	1250	35.4	27.8	16.50	13.75
YCG36B21S	TMLE130D20MP11	24.5	XAFD48F	1275	36.0	27.6	16.50	13.75
YCG36B21S	TMLE130D20MP11	24.5	XAHD42E	1225	35.4	27.6	16.50	13.75
YCG36B21S	TMLE130D20MP11	24.5	XAHD48F	1250	36.0	27.6	16.50	13.75
YCG36B21S	TMLV060A12MP12C	17.5	XAF/XAUB36D	1050	34.6	25.8	15.75	13.00
YCG36B21S	TMLV060A12MP12C	17.5	XAFB36E	1050	35.4	25.8	15.50	13.00
YCG36B21S	TMLV060A12MP12C	17.5	XAHB36D	1050	34.6	25.8	15.50	12.75
YCG36B21S	TMLV080C16MP12C	21.0	CF/CM/CU36C	1150	34.6	26.6	16.20	13.50
YCG36B21S	TMLV080C16MP12C	21.0	CF/CM/CU36D	1150	36.0	27.8	16.25	13.75
YCG36B21S	TMLV080C16MP12C	21.0	CF/CM/CU42C	1200	36.0	27.6	16.25	13.50
YCG36B21S	TMLV080C16MP12C	21.0	CF/CM/CU42D	1200	36.0	27.6	16.50	13.75
YCG36B21S	TMLV080C16MP12C	21.0	CF/CM/CU48C	1150	36.0	27.4	16.50	13.75
YCG36B21S	TMLV080C16MP12C	21.0	CF/CM/CU48D	1150	36.0	27.4	16.50	13.75
YCG36B21S	TMLV080C16MP12C	21.0	CF/CM/CU60C	1200	36.0	27.6	16.50	13.75
YCG36B21S	TMLV080C16MP12C	21.0	CF/CM/CU60D	1200	36.0	27.6	16.50	14.00
YCG36B21S	TMLV100C16MP12C	21.0	CF/CM/CU36C	1150	34.6	26.6	16.20	13.50
YCG36B21S	TMLV100C16MP12C	21.0	CF/CM/CU36D	1150	36.0	27.8	16.25	13.75
YCG36B21S	TMLV100C16MP12C	21.0	CF/CM/CU42C	1200	36.0	27.6	16.25	13.50
YCG36B21S	TMLV100C16MP12C	21.0	CF/CM/CU42D	1200	36.0	27.6	16.50	13.75
YCG36B21S	TMLV100C16MP12C	21.0	CF/CM/CU48C	1150	36.0	27.4	16.50	13.75
YCG36B21S	TMLV100C16MP12C	21.0	CF/CM/CU48D	1150	36.0	27.4	16.50	13.75
YCG36B21S	TMLV100C16MP12C	21.0	CF/CM/CU60C	1200	36.0	27.6	16.50	13.75
YCG36B21S	TMLV100C16MP12C	21.0	CF/CM/CU60D	1200	36.0	27.6	16.50	14.00
YCG36B21S	TMLV100C16MP12C	21.0	XAF/XAUC42E	1050	36.0	25.8	16.25	13.50
YCG36B21S	TMLV100C16MP12C	21.0	XAF/XAUC48F	1050	36.0	25.6	16.25	13.50
YCG36B21S	TMLV100C16MP12C	21.0	XAFC36D	1050	34.6	25.6	16.25	13.50
YCG36B21S	TMLV100C16MP12C	24.5	XAFD42E	1050	35.8	25.8	16.25	13.50
YCG36B21S	TMLV100C16MP12C	24.5	XAFD48F	1050	35.8	25.6	16.50	13.75
YCG36B21S	TMLV100C16MP12C	21.0	XAHC36D	1050	34.6	25.8	16.25	13.50
YCG36B21S	TMLV100C16MP12C	21.0	XAHC42E	1050	36.0	25.8	16.25	13.50
YCG36B21S	TMLV100C16MP12C	21.0	XAHC48F	1050	36.0	25.6	16.50	13.75
YCG36B21S	TMLV100C16MP12C	24.5	XAHD42E	1050	35.8	25.8	16.25	13.50
YCG36B21S	TMLV100C16MP12C	24.5	XAHD48F	1050	35.8	25.6	16.25	13.50
YCG36B21S	TMLV100C20MP12C	21.0	CF/CM/CU36C	1150	34.8	26.8	16.00	13.50
YCG36B21S	TMLV100C20MP12C	21.0	CF/CM/CU36D	1150	36.0	27.6	16.75	14.00
YCG36B21S	TMLV100C20MP12C	21.0	CF/CM/CU42C	1225	36.0	27.8	16.50	13.50
YCG36B21S	TMLV100C20MP12C	21.0	CF/CM/CU42D	1225	36.0	27.6	16.75	14.00
YCG36B21S	TMLV100C20MP12C	21.0	CF/CM/CU48C	1150	36.0	27.4	16.50	13.75
YCG36B21S	TMLV100C20MP12C	21.0	CF/CM/CU48D	1225	36.0	28.0	17.00	14.25
YCG36B21S	TMLV100C20MP12C	21.0	CF/CM/CU60C	1225	36.0	27.6	16.75	13.75
YCG36B21S	TMLV100C20MP12C	21.0	CF/CM/CU60D	1225	36.0	27.6	17.00	14.00
YCG36B21S	TMLV120C20MP12C	21.0	CF/CM/CU36C	1150	34.8	26.8	16.00	13.50
YCG36B21S	TMLV120C20MP12C	21.0	CF/CM/CU36D	1150	36.0	27.6	16.75	14.00
YCG36B21S	TMLV120C20MP12C	21.0	CF/CM/CU42C	1225	36.0	27.8	16.50	13.50
YCG36B21S	TMLV120C20MP12C	21.0	CF/CM/CU42D	1225	36.0	27.6	16.75	14.00
YCG36B21S	TMLV120C20MP12C	21.0	CF/CM/CU48C	1150	36.0	27.4	16.50	13.75
YCG36B21S	TMLV120C20MP12C	21.0	CF/CM/CU48D	1225	36.0	28.0	17.00	14.25
YCG36B21S	TMLV120C20MP12C	21.0	CF/CM/CU60C	1225	36.0	27.6	16.75	13.75
YCG36B21S	TMLV120C20MP12C	21.0	CF/CM/CU60D	1225	36.0	27.6	17.00	14.00
YCG36B21S	TMLV120C20MP12C	21.0	XAF/XAUC42E	1150	36.0	27.0	16.50	13.50
YCG36B21S	TMLV120C20MP12C	21.0	XAF/XAUC48F	1150	36.0	26.6	16.50	13.75
YCG36B21S	TMLV120C20MP12C	21.0	XAFC36D	1150	34.8	26.8	16.00	13.50
YCG36B21S	TMLV120C20MP12C	24.5	XAFD42E	1150	35.8	27.0	16.50	13.75

COOLING CAPACITY - With High Efficiency Motor Furnaces¹ (Continued)

UNIT MODEL	FURNACE		COIL MODEL ²	COOLING				
	MODEL	WIDTH		RATED CFM	NET MBH		SEER	EER
					TOTAL	SENS.		
YCG36B21S	TMLV120C20MP12C	24.5	XAFD48F	1150	35.8	26.6	16.50	13.75
YCG36B21S	TMLV120C20MP12C	21.0	XAHC36D	1125	34.8	26.6	16.00	13.50
YCG36B21S	TMLV120C20MP12C	21.0	XAHC42E	1125	36.0	26.6	16.25	13.50
YCG36B21S	TMLV120C20MP12C	21.0	XAHC48F	1150	36.0	26.6	16.50	13.75
YCG36B21S	TMLV120C20MP12C	24.5	XAHD42E	1125	35.8	26.6	16.50	13.75
YCG36B21S	TMLV120C20MP12C	24.5	XAHD48F	1150	35.8	26.6	16.50	13.75
YCG36B21S	TMLX060A12MP11	14.5	CF/CM/36A	1075	34.6	26.0	15.25	12.75
YCG36B21S	TMLX080B12MP11	17.5	CF/CM/CU36B	1175	35.2	27.2	15.75	13.50
YCG36B21S	TMLX080B12MP11	17.5	CF42B	1150	35.6	27.0	16.00	13.25
YCG36B21S	TMLX080C16MP11	21.0	CF/CM/CU36C	1150	34.6	26.6	16.25	13.75
YCG36B21S	TMLX080C16MP11	21.0	CF/CM/CU36D	1175	35.0	27.0	16.50	13.75
YCG36B21S	TMLX080C16MP11	21.0	CF/CM/CU42C	1150	35.4	26.8	16.50	13.75
YCG36B21S	TMLX080C16MP11	21.0	CF/CM/CU42D	1175	35.8	27.0	16.50	14.00
YCG36B21S	TMLX080C16MP11	21.0	CF/CM/CU48C	1150	36.0	27.4	16.75	14.00
YCG36B21S	TMLX080C16MP11	21.0	CF/CM/CU48D	1150	36.0	27.4	16.75	14.00
YCG36B21S	TMLX080C16MP11	21.0	CF/CM/CU60C	1150	36.0	27.2	16.75	14.00
YCG36B21S	TMLX080C16MP11	21.0	CF/CM/CU60D	1175	36.0	27.4	17.00	14.00
YCG36B21S	TMLX100C16MP11	21.0	CF/CM/CU36C	1150	34.6	26.6	16.25	13.75
YCG36B21S	TMLX100C16MP11	21.0	CF/CM/CU36D	1175	35.0	27.0	16.50	13.75
YCG36B21S	TMLX100C16MP11	21.0	CF/CM/CU42C	1150	35.4	26.8	16.50	13.75
YCG36B21S	TMLX100C16MP11	21.0	CF/CM/CU42D	1175	35.8	27.0	16.50	14.00
YCG36B21S	TMLX100C16MP11	21.0	CF/CM/CU48C	1150	36.0	27.4	16.75	14.00
YCG36B21S	TMLX100C16MP11	21.0	CF/CM/CU48D	1150	36.0	27.4	16.75	14.00
YCG36B21S	TMLX100C16MP11	21.0	CF/CM/CU60C	1150	36.0	27.2	16.75	14.00
YCG36B21S	TMLX100C16MP11	21.0	CF/CM/CU60D	1175	36.0	27.4	17.00	14.00
YCG36B21S	TMLX100C20MP11	21.0	CF/CM/CU36C	1225	35.0	27.6	16.25	13.75
YCG36B21S	TMLX100C20MP11	21.0	CF/CM/CU36D	1250	35.2	27.6	16.50	13.75
YCG36B21S	TMLX100C20MP11	21.0	CF/CM/CU42C	1225	35.8	27.4	16.50	14.00
YCG36B21S	TMLX100C20MP11	21.0	CF/CM/CU42D	1250	36.0	27.8	16.50	14.00
YCG36B21S	TMLX100C20MP11	21.0	CF/CM/CU48C	1225	36.0	28.0	17.00	14.00
YCG36B21S	TMLX100C20MP11	21.0	CF/CM/CU48D	1250	36.0	28.2	17.00	14.00
YCG36B21S	TMLX100C20MP11	21.0	CF/CM/CU48C	1225	36.0	28.2	17.00	14.00
YCG36B21S	TMLX100C20MP11	21.0	CF/CM/CU60C	1225	36.0	27.6	17.00	14.25
YCG36B21S	TMLX100C20MP11	21.0	CF/CM/CU60D	1250	36.0	28.0	17.00	14.25
YCG36B21S	TMLX120C20MP11	21.0	CF/CM/CU36C	1225	35.0	27.6	16.25	13.75
YCG36B21S	TMLX120C20MP11	21.0	CF/CM/CU36D	1250	35.2	27.6	16.50	13.75
YCG36B21S	TMLX120C20MP11	21.0	CF/CM/CU42C	1225	35.8	27.4	16.50	14.00
YCG36B21S	TMLX120C20MP11	21.0	CF/CM/CU42D	1250	36.0	27.8	16.50	14.00
YCG36B21S	TMLX120C20MP11	21.0	CF/CM/CU48C	1225	36.0	28.0	17.00	14.00
YCG36B21S	TMLX120C20MP11	21.0	CF/CM/CU48D	1250	36.0	28.2	17.00	14.00
YCG36B21S	TMLX120C20MP11	21.0	CF/CM/CU60C	1225	36.0	27.6	17.00	14.25
YCG36B21S	TMLX120C20MP11	21.0	CF/CM/CU60D	1250	36.0	28.0	17.00	14.25
YCG36B21S	TP9C060B12MP13C	17.5	CF/CM/CU36B	1000	34.6	25.0	15.50	12.75
YCG36B21S	TP9C060B12MP13C	17.5	CF/CM/CU36C	1000	34.6	25.0	15.25	12.50
YCG36B21S	TP9C060B12MP13C	17.5	CF/CM/CU42C	1000	35.4	25.4	15.75	13.00
YCG36B21S	TP9C060B12MP13C	17.5	CF/CM/CU48C	1000	36.0	26.2	15.75	13.00
YCG36B21S	TP9C060B12MP13C	17.5	CF/CM/CU60C	1000	36.0	25.8	15.75	13.00
YCG36B21S	TP9C060B12MP13C	17.5	CF42B	1000	35.4	25.4	15.75	13.00
YCG36B21S	TP9C060B12MP13C	17.5	XAF/XAUB36D	1000	34.6	25.2	15.50	12.75
YCG36B21S	TP9C060B12MP13C	21.0	XAF/XAUC42E	1000	35.4	25.2	15.50	12.75
YCG36B21S	TP9C060B12MP13C	21.0	XAF/XAUC48F	1000	35.8	25.0	15.50	12.75
YCG36B21S	TP9C060B12MP13C	17.5	XAFB36E	1025	35.4	25.4	15.50	12.75
YCG36B21S	TP9C060B12MP13C	21.0	XAFC36D	1000	34.6	25.2	15.25	12.50
YCG36B21S	TP9C060B12MP13C	17.5	XAHB36D	1025	34.6	25.6	15.25	12.75
YCG36B21S	TP9C060B12MP13C	21.0	XAHC36D	1025	34.6	25.4	15.25	12.50
YCG36B21S	TP9C060B12MP13C	21.0	XAHC42E	1025	35.4	25.4	15.50	12.75
YCG36B21S	TP9C060B12MP13C	21.0	XAHC48F	1000	35.8	25.0	15.75	13.00
YCG36B21S	TP9C080B12MP13C	17.5	CF/CM/CU36B	1175	34.8	27.0	15.75	13.25
YCG36B21S	TP9C080B12MP13C	17.5	CF42B	1075	35.4	26.2	16.00	13.25
YCG36B21S	TP9C080B12MP13C	17.5	XAF/XAUB36D	1075	34.6	26.0	15.75	13.00
YCG36B21S	TP9C080B12MP13C	21.0	XAF/XAUC42E	1075	35.4	26.0	15.75	13.00
YCG36B21S	TP9C080B12MP13C	21.0	XAF/XAUC48F	1050	35.8	25.6	16.00	13.25
YCG36B21S	TP9C080B12MP13C	17.5	XAFB36E	1075	35.4	26.0	15.75	13.00
YCG36B21S	TP9C080B12MP13C	21.0	XAFC36D	1075	34.6	26.0	15.75	13.00
YCG36B21S	TP9C080B12MP13C	17.5	XAHB36D	1075	34.8	26.0	15.50	12.75

COOLING CAPACITY - With High Efficiency Motor Furnaces¹ (Continued)

UNIT MODEL	FURNACE		COIL MODEL ²	COOLING				
	MODEL	WIDTH		RATED CFM	NET MBH		SEER	EER
					TOTAL	SENS.		
YCG36B21S	TP9C080B12MP13C	21.0	XAHC36D	1075	34.6	26.0	15.75	13.00
YCG36B21S	TP9C080B12MP13C	21.0	XAHC42E	1075	35.4	26.0	15.75	13.00
YCG36B21S	TP9C080B12MP13C	21.0	XAHC48F	1050	35.8	25.6	16.00	13.25
YCG36B21S	TP9C080C16MP13C	21.0	CF/CM/CU36C	950	35.0	25.0	16.25	13.50
YCG36B21S	TP9C080C16MP13C	21.0	CF/CM/CU42C	950	35.6	25.2	16.50	13.75
YCG36B21S	TP9C080C16MP13C	21.0	CF/CM/CU48C	950	36.0	25.6	16.50	13.75
YCG36B21S	TP9C080C16MP13C	21.0	CF/CM/CU48D	950	36.0	25.6	16.50	13.75
YCG36B21S	TP9C080C16MP13C	21.0	CF/CM/CU60C	950	36.0	25.2	16.25	13.50
YCG36B21S	TP9C080C16MP13C	21.0	CF/CM/CU60D	950	36.0	25.2	16.25	13.50
YCG36B21S	TP9C080C16MP13C	21.0	CF/CM36D	950	35.0	25.0	16.25	13.50
YCG36B21S	TP9C080C16MP13C	21.0	CF/CM42D	950	35.6	25.2	16.50	13.75
YCG36B21S	TP9C080C16MP13C	21.0	XAF/XAUC42E	1025	35.6	25.6	16.00	13.50
YCG36B21S	TP9C080C16MP13C	21.0	XAF/XAUC48F	1025	36.0	25.2	16.00	13.50
YCG36B21S	TP9C080C16MP13C	21.0	XAFC36D	1025	35.0	25.4	16.00	13.25
YCG36B21S	TP9C080C16MP13C	24.5	XAFD42E	1025	35.6	25.6	16.00	13.50
YCG36B21S	TP9C080C16MP13C	24.5	XAFD48F	1025	35.8	25.2	16.25	13.50
YCG36B21S	TP9C080C16MP13C	21.0	XAHC36D	1025	35.0	25.4	16.00	13.25
YCG36B21S	TP9C080C16MP13C	21.0	XAHC42E	1025	35.6	25.4	16.00	13.25
YCG36B21S	TP9C080C16MP13C	21.0	XAHC48F	1025	36.0	25.2	16.25	13.50
YCG36B21S	TP9C080C16MP13C	24.5	XAHD42E	1025	35.6	25.4	16.00	13.25
YCG36B21S	TP9C080C16MP13C	24.5	XAHD48F	1025	35.8	25.2	16.00	13.50
YCG36B21S	TP9C100C16MP13C	21.0	CF/CM/CU36C	1175	35.4	27.4	16.20	13.75
YCG36B21S	TP9C100C16MP13C	21.0	CF/CM/CU36D	1175	36.0	27.8	16.50	13.75
YCG36B21S	TP9C100C16MP13C	21.0	CF/CM/CU42C	1175	36.0	27.2	16.50	13.75
YCG36B21S	TP9C100C16MP13C	21.0	CF/CM/CU42D	1175	36.0	27.2	16.75	14.00
YCG36B21S	TP9C100C16MP13C	21.0	CF/CM/CU48C	1175	36.0	27.8	16.50	13.75
YCG36B21S	TP9C100C16MP13C	21.0	CF/CM/CU48D	1175	36.0	27.8	16.50	14.00
YCG36B21S	TP9C100C16MP13C	21.0	CF/CM/CU60C	1175	36.0	27.4	16.50	14.00
YCG36B21S	TP9C100C16MP13C	21.0	CF/CM/CU60D	1175	36.0	27.4	16.50	14.00
YCG36B21S	TP9C100C16MP13C	21.0	XAF/XAUC42E	1100	36.0	26.4	16.25	13.50
YCG36B21S	TP9C100C16MP13C	21.0	XAF/XAUC48F	1000	36.0	25.0	16.50	13.75
YCG36B21S	TP9C100C16MP13C	21.0	XAFC36D	1000	35.4	25.2	16.25	13.50
YCG36B21S	TP9C100C16MP13C	24.5	XAFD42E	1100	35.8	26.4	16.50	13.75
YCG36B21S	TP9C100C16MP13C	24.5	XAFD48F	1000	35.8	25.0	16.50	13.75
YCG36B21S	TP9C100C16MP13C	21.0	XAHC36D	1000	35.4	25.2	16.25	13.50
YCG36B21S	TP9C100C16MP13C	21.0	XAHC42E	1000	36.0	25.2	16.25	13.50
YCG36B21S	TP9C100C16MP13C	21.0	XAHC48F	1000	36.0	25.0	16.50	13.75
YCG36B21S	TP9C100C16MP13C	24.5	XAHD42E	1100	35.8	26.4	16.25	13.50
YCG36B21S	TP9C100C16MP13C	24.5	XAHD48F	1000	35.8	25.0	16.50	13.75
YCG36B21S	TP9C100C20MP13C	21.0	CF/CM/CU36C	1225	35.2	27.8	15.75	13.50
YCG36B21S	TP9C100C20MP13C	21.0	CF/CM/CU36D	1225	36.0	28.2	16.50	13.75
YCG36B21S	TP9C100C20MP13C	21.0	CF/CM/CU42C	1225	35.4	27.2	16.25	13.50
YCG36B21S	TP9C100C20MP13C	21.0	CF/CM/CU42D	1225	36.0	27.8	16.50	14.00
YCG36B21S	TP9C100C20MP13C	21.0	CF/CM/CU48C	1225	36.0	28.0	16.25	13.50
YCG36B21S	TP9C100C20MP13C	21.0	CF/CM/CU48D	1225	36.0	28.0	16.50	13.75
YCG36B21S	TP9C100C20MP13C	21.0	CF/CM/CU60C	1225	36.0	27.6	16.50	13.50
YCG36B21S	TP9C100C20MP13C	21.0	CF/CM/CU60D	1225	36.0	27.6	16.50	14.00
YCG36B21S	TP9C100C20MP13C	21.0	XAF/XAUC42E	1100	35.4	26.4	16.25	13.50
YCG36B21S	TP9C100C20MP13C	21.0	XAF/XAUC48F	1100	36.0	26.0	16.25	13.50
YCG36B21S	TP9C100C20MP13C	21.0	XAFC36D	1100	35.2	26.2	15.75	13.00
YCG36B21S	TP9C100C20MP13C	24.5	XAFD42E	1100	35.8	26.4	16.25	13.50
YCG36B21S	TP9C100C20MP13C	24.5	XAFD48F	1100	35.8	26.0	16.25	13.50
YCG36B21S	TP9C100C20MP13C	21.0	XAHC36D	1125	35.2	26.6	15.75	13.00
YCG36B21S	TP9C100C20MP13C	21.0	XAHC42E	1125	35.4	26.6	16.00	13.50
YCG36B21S	TP9C100C20MP13C	21.0	XAHC48F	1100	36.0	26.0	16.25	13.50
YCG36B21S	TP9C100C20MP13C	24.5	XAHD42E	1100	35.8	26.4	16.00	13.50
YCG36B21S	TP9C100C20MP13C	24.5	XAHD48F	1100	35.8	26.0	16.25	13.50
YCG36B21S	TP9C120D20MP13C	24.5	CF/CM/CU36D	1200	34.6	26.8	16.50	14.25
YCG36B21S	TP9C120D20MP13C	24.5	CF/CM/CU42D	1200	35.8	27.4	16.75	13.75
YCG36B21S	TP9C120D20MP13C	24.5	CF/CM/CU48D	1200	36.0	28.0	16.75	13.75
YCG36B21S	TP9C120D20MP13C	24.5	CF/CM/CU60D	1200	36.0	27.6	16.75	14.00
YCG36B21S	TP9C120D20MP13C	24.5	XAFD42E	1050	35.8	25.8	16.50	13.75
YCG36B21S	TP9C120D20MP13C	24.5	XAFD48F	1050	36.0	25.6	16.50	13.75
YCG36B21S	TP9C120D20MP13C	24.5	XAHD42E	1050	35.8	25.8	16.50	13.75

COOLING CAPACITY - With High Efficiency Motor Furnaces¹ (Continued)

UNIT MODEL	FURNACE		COIL MODEL ²	COOLING				
	MODEL	WIDTH		RATED CFM	NET MBH		SEER	EER
					TOTAL	SENS.		
YCG36B21S	TP9C120D20MP13C	24.5	XAHD48F	1050	36.0	25.6	16.50	13.75
YCG36B21S	TPLC060A12MP13C	17.5	XAF/XAUB36D	1050	34.6	25.8	15.75	13.00
YCG36B21S	TPLC060A12MP13C	17.5	XAFB36E	1050	35.4	25.8	15.50	13.00
YCG36B21S	TPLC060A12MP13C	17.5	XAHB36D	1050	34.6	25.8	15.50	12.75
YCG36B21S	TPLC080B12MP13C	17.5	XAF/XAUB36D	1000	34.6	25.2	15.50	12.75
YCG36B21S	TPLC080B12MP13C	21.0	XAF/XAUC42E	1000	35.4	25.2	15.50	12.75
YCG36B21S	TPLC080B12MP13C	21.0	XAF/XAUC48F	1000	35.8	25.0	15.50	12.75
YCG36B21S	TPLC080B12MP13C	17.5	XAFB36E	1000	35.4	25.2	15.25	12.75
YCG36B21S	TPLC080B12MP13C	21.0	XAFC36D	1000	34.6	25.2	15.50	12.75
YCG36B21S	TPLC080B12MP13C	17.5	XAHB36D	1000	34.6	25.2	15.00	12.75
YCG36B21S	TPLC080B12MP13C	21.0	XAHC36D	1000	34.6	25.2	15.50	12.75
YCG36B21S	TPLC080B12MP13C	21.0	XAHC42E	1000	35.4	25.2	15.50	12.75
YCG36B21S	TPLC080B12MP13C	21.0	XAHC48F	1000	35.8	25.0	15.75	13.00
YCG36B21S	TPLC080C16MP13C	21.0	CF/CM/CU36C	1150	34.6	26.6	16.20	13.50
YCG36B21S	TPLC080C16MP13C	21.0	CF/CM/CU36D	1150	36.0	27.8	16.25	13.75
YCG36B21S	TPLC080C16MP13C	21.0	CF/CM/CU42C	1200	36.0	27.6	16.25	13.50
YCG36B21S	TPLC080C16MP13C	21.0	CF/CM/CU42D	1200	36.0	27.6	16.50	13.75
YCG36B21S	TPLC080C16MP13C	21.0	CF/CM/CU48C	1150	36.0	27.4	16.50	13.75
YCG36B21S	TPLC080C16MP13C	21.0	CF/CM/CU48D	1150	36.0	27.4	16.50	13.75
YCG36B21S	TPLC080C16MP13C	21.0	CF/CM/CU60C	1200	36.0	27.6	16.50	13.75
YCG36B21S	TPLC080C16MP13C	21.0	CF/CM/CU60D	1200	36.0	27.6	16.50	14.00
YCG36B21S	TPLC080C16MP13C	21.0	XAF/XAUC42E	1050	36.0	25.8	16.25	13.50
YCG36B21S	TPLC080C16MP13C	21.0	XAF/XAUC48F	1050	36.0	25.6	16.25	13.50
YCG36B21S	TPLC080C16MP13C	21.0	XAFC36D	1050	34.6	25.6	16.25	13.50
YCG36B21S	TPLC080C16MP13C	24.5	XAFD42E	1050	35.8	25.8	16.25	13.50
YCG36B21S	TPLC080C16MP13C	24.5	XAFD48F	1050	35.8	25.6	16.50	13.75
YCG36B21S	TPLC080C16MP13C	21.0	XAHC36D	1050	34.6	25.8	16.25	13.50
YCG36B21S	TPLC080C16MP13C	21.0	XAHC42E	1050	36.0	25.8	16.25	13.50
YCG36B21S	TPLC080C16MP13C	21.0	XAHC48F	1050	36.0	25.6	16.50	13.75
YCG36B21S	TPLC080C16MP13C	24.5	XAHD42E	1050	35.8	25.8	16.25	13.50
YCG36B21S	TPLC080C16MP13C	24.5	XAHD48F	1050	35.8	25.6	16.25	13.50
YCG36B21S	TPLC100C16MP13C	21.0	CF/CM/CU36C	1150	34.6	26.6	16.20	13.50
YCG36B21S	TPLC100C16MP13C	21.0	CF/CM/CU36D	1150	36.0	27.8	16.25	13.75
YCG36B21S	TPLC100C16MP13C	21.0	CF/CM/CU42C	1200	36.0	27.6	16.25	13.50
YCG36B21S	TPLC100C16MP13C	21.0	CF/CM/CU42D	1200	36.0	27.6	16.50	13.75
YCG36B21S	TPLC100C16MP13C	21.0	CF/CM/CU48C	1150	36.0	27.4	16.50	13.75
YCG36B21S	TPLC100C16MP13C	21.0	CF/CM/CU48D	1150	36.0	27.4	16.50	13.75
YCG36B21S	TPLC100C16MP13C	21.0	CF/CM/CU60C	1200	36.0	27.6	16.50	13.75
YCG36B21S	TPLC100C16MP13C	21.0	CF/CM/CU60D	1200	36.0	27.6	16.50	14.00
YCG36B21S	TPLC100C16MP13C	21.0	XAF/XAUC42E	1050	36.0	25.8	16.25	13.50
YCG36B21S	TPLC100C16MP13C	21.0	XAF/XAUC48F	1050	36.0	25.6	16.25	13.50
YCG36B21S	TPLC100C16MP13C	21.0	XAFC36D	1050	34.6	25.6	16.25	13.50
YCG36B21S	TPLC100C16MP13C	24.5	XAFD42E	1050	35.8	25.8	16.25	13.50
YCG36B21S	TPLC100C16MP13C	24.5	XAFD48F	1050	35.8	25.6	16.50	13.75
YCG36B21S	TPLC100C16MP13C	21.0	XAHC36D	1050	34.6	25.8	16.25	13.50
YCG36B21S	TPLC100C16MP13C	21.0	XAHC42E	1050	36.0	25.8	16.25	13.50
YCG36B21S	TPLC100C16MP13C	21.0	XAHC48F	1050	36.0	25.6	16.50	13.75
YCG36B21S	TPLC100C16MP13C	24.5	XAHD42E	1050	35.8	25.8	16.25	13.50
YCG36B21S	TPLC100C16MP13C	24.5	XAHD48F	1050	35.8	25.6	16.25	13.50
YCG36B21S	TPLC100C20MP13C	21.0	CF/CM/CU36C	1150	34.8	26.8	16.00	13.50
YCG36B21S	TPLC100C20MP13C	21.0	CF/CM/CU36D	1150	36.0	27.6	16.75	14.00
YCG36B21S	TPLC100C20MP13C	21.0	CF/CM/CU42C	1225	36.0	27.8	16.50	13.50
YCG36B21S	TPLC100C20MP13C	21.0	CF/CM/CU42D	1225	36.0	27.6	16.75	14.00
YCG36B21S	TPLC100C20MP13C	21.0	CF/CM/CU48C	1150	36.0	27.4	16.50	13.75
YCG36B21S	TPLC100C20MP13C	21.0	CF/CM/CU48D	1225	36.0	28.0	17.00	14.25
YCG36B21S	TPLC100C20MP13C	21.0	CF/CM/CU60C	1225	36.0	27.6	16.75	13.75
YCG36B21S	TPLC100C20MP13C	21.0	CF/CM/CU60D	1225	36.0	27.6	17.00	14.00
YCG36B21S	TPLC100C20MP13C	21.0	XAF/XAUC42E	1150	36.0	27.0	16.50	13.50
YCG36B21S	TPLC100C20MP13C	21.0	XAF/XAUC48F	1150	36.0	26.6	16.50	13.75
YCG36B21S	TPLC100C20MP13C	21.0	XAFC36D	1150	34.8	26.8	16.00	13.50
YCG36B21S	TPLC100C20MP13C	24.5	XAFD42E	1150	35.8	27.0	16.50	13.75
YCG36B21S	TPLC100C20MP13C	24.5	XAFD48F	1150	35.8	26.6	16.50	13.75
YCG36B21S	TPLC100C20MP13C	21.0	XAHC36D	1125	34.8	26.6	16.00	13.50
YCG36B21S	TPLC100C20MP13C	21.0	XAHC42E	1125	36.0	26.6	16.25	13.50

COOLING CAPACITY - With High Efficiency Motor Furnaces¹ (Continued)

UNIT MODEL	FURNACE		COIL MODEL ²	COOLING				
	MODEL	WIDTH		RATED CFM	NET MBH		SEER	EER
					TOTAL	SENS.		
YCG36B21S	TPLC100C20MP13C	21.0	XAHC48F	1150	36.0	26.6	16.50	13.75
YCG36B21S	TPLC100C20MP13C	24.5	XAHD42E	1125	35.8	26.6	16.50	13.75
YCG36B21S	TPLC100C20MP13C	24.5	XAHD48F	1150	35.8	26.6	16.50	13.75
YCG36B21S	TPLC120C20MP13C	21.0	CF/CM/CU36C	1150	34.8	26.8	16.00	13.50
YCG36B21S	TPLC120C20MP13C	21.0	CF/CM/CU36D	1150	36.0	27.6	16.75	14.00
YCG36B21S	TPLC120C20MP13C	21.0	CF/CM/CU42C	1225	36.0	27.8	16.50	13.50
YCG36B21S	TPLC120C20MP13C	21.0	CF/CM/CU42D	1225	36.0	27.6	16.75	14.00
YCG36B21S	TPLC120C20MP13C	21.0	CF/CM/CU48C	1150	36.0	27.4	16.50	13.75
YCG36B21S	TPLC120C20MP13C	21.0	CF/CM/CU48D	1225	36.0	28.0	17.00	14.25
YCG36B21S	TPLC120C20MP13C	21.0	CF/CM/CU60C	1225	36.0	27.6	16.75	13.75
YCG36B21S	TPLC120C20MP13C	21.0	CF/CM/CU60D	1225	36.0	27.6	17.00	14.00
YCG36B21S	TPLC120C20MP13C	21.0	XAF/XAUC42E	1150	36.0	27.0	16.50	13.50
YCG36B21S	TPLC120C20MP13C	21.0	XAF/XAUC48F	1150	36.0	26.6	16.50	13.75
YCG36B21S	TPLC120C20MP13C	21.0	XAFC36D	1150	34.8	26.8	16.00	13.50
YCG36B21S	TPLC120C20MP13C	24.5	XAFD42E	1150	35.8	27.0	16.50	13.75
YCG36B21S	TPLC120C20MP13C	24.5	XAFD48F	1150	35.8	26.6	16.50	13.75
YCG36B21S	TPLC120C20MP13C	21.0	XAHC36D	1125	34.8	26.6	16.00	13.50
YCG36B21S	TPLC120C20MP13C	21.0	XAHC42E	1125	36.0	26.6	16.25	13.50
YCG36B21S	TPLC120C20MP13C	21.0	XAHC48F	1150	36.0	26.6	16.50	13.75
YCG36B21S	TPLC120C20MP13C	24.5	XAHD42E	1125	35.8	26.6	16.50	13.75
YCG36B21S	TPLC120C20MP13C	24.5	XAHD48F	1150	35.8	26.6	16.50	13.75
YCG36B21S	YP9C060B12MP13C	17.5	CF/CM/CU36B	1000	34.6	25.0	15.50	12.75
YCG36B21S	YP9C060B12MP13C	17.5	CF/CM/CU36C	1000	34.6	25.0	15.25	12.50
YCG36B21S	YP9C060B12MP13C	17.5	CF/CM/CU42C	1000	35.4	25.4	15.75	13.00
YCG36B21S	YP9C060B12MP13C	17.5	CF/CM/CU48C	1000	36.0	26.2	15.75	13.00
YCG36B21S	YP9C060B12MP13C	17.5	CF/CM/CU60C	1000	36.0	25.8	15.75	13.00
YCG36B21S	YP9C060B12MP13C	17.5	CF42B	1000	35.4	25.4	15.75	13.00
YCG36B21S	YP9C060B12MP13C	17.5	XAF/XAUB36D	1000	34.6	25.2	15.50	12.75
YCG36B21S	YP9C060B12MP13C	21.0	XAF/XAUC42E	1000	35.4	25.2	15.50	12.75
YCG36B21S	YP9C060B12MP13C	21.0	XAF/XAUC48F	1000	35.8	25.0	15.50	12.75
YCG36B21S	YP9C060B12MP13C	17.5	XAFB36E	1025	35.4	25.4	15.50	12.75
YCG36B21S	YP9C060B12MP13C	21.0	XAFC36D	1000	34.6	25.2	15.25	12.50
YCG36B21S	YP9C060B12MP13C	17.5	XAHB36D	1025	34.6	25.6	15.25	12.75
YCG36B21S	YP9C060B12MP13C	21.0	XAHC36D	1025	34.6	25.4	15.25	12.50
YCG36B21S	YP9C060B12MP13C	21.0	XAHC42E	1025	35.4	25.4	15.50	12.75
YCG36B21S	YP9C060B12MP13C	21.0	XAHC48F	1000	35.8	25.0	15.75	13.00
YCG36B21S	YP9C080B12MP13C	17.5	CF/CM/CU36B	1175	34.8	27.0	15.75	13.25
YCG36B21S	YP9C080B12MP13C	17.5	CF42B	1075	35.4	26.2	16.00	13.25
YCG36B21S	YP9C080B12MP13C	17.5	XAF/XAUB36D	1075	34.6	26.0	15.75	13.00
YCG36B21S	YP9C080B12MP13C	21.0	XAF/XAUC42E	1075	35.4	26.0	15.75	13.00
YCG36B21S	YP9C080B12MP13C	21.0	XAF/XAUC48F	1050	35.8	25.6	16.00	13.25
YCG36B21S	YP9C080B12MP13C	17.5	XAFB36E	1075	35.4	26.0	15.75	13.00
YCG36B21S	YP9C080B12MP13C	21.0	XAFC36D	1075	34.6	26.0	15.75	13.00
YCG36B21S	YP9C080B12MP13C	17.5	XAHB36D	1075	34.8	26.0	15.50	12.75
YCG36B21S	YP9C080B12MP13C	21.0	XAHC36D	1075	34.6	26.0	15.75	13.00
YCG36B21S	YP9C080B12MP13C	21.0	XAHC42E	1075	35.4	26.0	15.75	13.00
YCG36B21S	YP9C080B12MP13C	21.0	XAHC48F	1050	35.8	25.6	16.00	13.25
YCG36B21S	YP9C080C16MP13C	21.0	CF/CM/CU36C	950	35.0	25.0	16.25	13.50
YCG36B21S	YP9C080C16MP13C	21.0	CF/CM/CU42C	950	35.6	25.2	16.50	13.75
YCG36B21S	YP9C080C16MP13C	21.0	CF/CM/CU48C	950	36.0	25.6	16.50	13.75
YCG36B21S	YP9C080C16MP13C	21.0	CF/CM/CU48D	950	36.0	25.6	16.50	13.75
YCG36B21S	YP9C080C16MP13C	21.0	CF/CM/CU60C	950	36.0	25.2	16.25	13.50
YCG36B21S	YP9C080C16MP13C	21.0	CF/CM/CU60D	950	36.0	25.2	16.25	13.50
YCG36B21S	YP9C080C16MP13C	21.0	CF/CM36D	950	35.0	25.0	16.25	13.50
YCG36B21S	YP9C080C16MP13C	21.0	CF/CM42D	950	35.6	25.2	16.50	13.75
YCG36B21S	YP9C080C16MP13C	21.0	XAF/XAUC42E	1025	35.6	25.6	16.00	13.50
YCG36B21S	YP9C080C16MP13C	21.0	XAF/XAUC48F	1025	36.0	25.2	16.00	13.50
YCG36B21S	YP9C080C16MP13C	21.0	XAFC36D	1025	35.0	25.4	16.00	13.50
YCG36B21S	YP9C080C16MP13C	24.5	XAFD42E	1025	35.6	25.6	16.00	13.50
YCG36B21S	YP9C080C16MP13C	24.5	XAFD48F	1025	35.8	25.2	16.25	13.50
YCG36B21S	YP9C080C16MP13C	21.0	XAHC36D	1025	35.0	25.4	16.00	13.25
YCG36B21S	YP9C080C16MP13C	21.0	XAHC42E	1025	35.6	25.4	16.00	13.25
YCG36B21S	YP9C080C16MP13C	21.0	XAHC48F	1025	36.0	25.2	16.25	13.50
YCG36B21S	YP9C080C16MP13C	24.5	XAHD42E	1025	35.6	25.4	16.00	13.25

COOLING CAPACITY - With High Efficiency Motor Furnaces¹ (Continued)

UNIT MODEL	FURNACE		COIL MODEL ²	COOLING				
	MODEL	WIDTH		RATED CFM	NET MBH		SEER	EER
					TOTAL	SENS.		
YCG36B21S	YP9C080C16MP13C	24.5	XAHD48F	1025	35.8	25.2	16.00	13.50
YCG36B21S	YP9C100C16MP13C	21.0	CF/CM/CU36C	1175	35.4	27.4	16.20	13.75
YCG36B21S	YP9C100C16MP13C	21.0	CF/CM/CU36D	1175	36.0	27.8	16.50	13.75
YCG36B21S	YP9C100C16MP13C	21.0	CF/CM/CU42C	1175	36.0	27.2	16.50	13.75
YCG36B21S	YP9C100C16MP13C	21.0	CF/CM/CU42D	1175	36.0	27.2	16.75	14.00
YCG36B21S	YP9C100C16MP13C	21.0	CF/CM/CU48C	1175	36.0	27.8	16.50	13.75
YCG36B21S	YP9C100C16MP13C	21.0	CF/CM/CU48D	1175	36.0	27.8	16.50	14.00
YCG36B21S	YP9C100C16MP13C	21.0	CF/CM/CU60C	1175	36.0	27.4	16.50	14.00
YCG36B21S	YP9C100C16MP13C	21.0	CF/CM/CU60D	1175	36.0	27.4	16.50	14.00
YCG36B21S	YP9C100C16MP13C	21.0	XAF/XAUC42E	1100	36.0	26.4	16.25	13.50
YCG36B21S	YP9C100C16MP13C	21.0	XAF/XAUC48F	1000	36.0	25.0	16.50	13.75
YCG36B21S	YP9C100C16MP13C	21.0	XAFC36D	1000	35.4	25.2	16.25	13.50
YCG36B21S	YP9C100C16MP13C	24.5	XAFD42E	1100	35.8	26.4	16.50	13.75
YCG36B21S	YP9C100C16MP13C	24.5	XAFD48F	1000	35.8	25.0	16.50	13.75
YCG36B21S	YP9C100C16MP13C	21.0	XAHC36D	1000	35.4	25.2	16.25	13.50
YCG36B21S	YP9C100C16MP13C	21.0	XAHC42E	1000	36.0	25.2	16.25	13.50
YCG36B21S	YP9C100C16MP13C	21.0	XAHC48F	1000	36.0	25.0	16.50	13.75
YCG36B21S	YP9C100C16MP13C	24.5	XAHD42E	1100	35.8	26.4	16.25	13.50
YCG36B21S	YP9C100C16MP13C	24.5	XAHD48F	1000	35.8	25.0	16.50	13.75
YCG36B21S	YP9C100C20MP13C	21.0	CF/CM/CU36C	1225	35.2	27.8	15.75	13.50
YCG36B21S	YP9C100C20MP13C	21.0	CF/CM/CU36D	1225	36.0	28.2	16.50	13.75
YCG36B21S	YP9C100C20MP13C	21.0	CF/CM/CU42C	1225	35.4	27.2	16.25	13.50
YCG36B21S	YP9C100C20MP13C	21.0	CF/CM/CU42D	1225	36.0	27.8	16.50	14.00
YCG36B21S	YP9C100C20MP13C	21.0	CF/CM/CU48C	1225	36.0	28.0	16.25	13.50
YCG36B21S	YP9C100C20MP13C	21.0	CF/CM/CU48D	1225	36.0	28.0	16.50	13.75
YCG36B21S	YP9C100C20MP13C	21.0	CF/CM/CU60C	1225	36.0	27.6	16.50	13.50
YCG36B21S	YP9C100C20MP13C	21.0	CF/CM/CU60D	1225	36.0	27.6	16.50	14.00
YCG36B21S	YP9C100C20MP13C	21.0	XAF/XAUC42E	1100	35.4	26.4	16.25	13.50
YCG36B21S	YP9C100C20MP13C	21.0	XAF/XAUC48F	1100	36.0	26.0	16.25	13.50
YCG36B21S	YP9C100C20MP13C	21.0	XAFC36D	1100	35.2	26.2	15.75	13.00
YCG36B21S	YP9C100C20MP13C	24.5	XAFD42E	1100	35.8	26.4	16.25	13.50
YCG36B21S	YP9C100C20MP13C	24.5	XAFD48F	1100	35.8	26.0	16.25	13.50
YCG36B21S	YP9C100C20MP13C	21.0	XAHC36D	1125	35.2	26.6	15.75	13.00
YCG36B21S	YP9C100C20MP13C	21.0	XAHC42E	1125	35.4	26.6	16.00	13.50
YCG36B21S	YP9C100C20MP13C	21.0	XAHC48F	1100	36.0	26.0	16.25	13.50
YCG36B21S	YP9C100C20MP13C	24.5	XAHD42E	1100	35.8	26.4	16.00	13.50
YCG36B21S	YP9C100C20MP13C	24.5	XAHD48F	1100	35.8	26.0	16.25	13.50
YCG36B21S	YP9C120D20MP13C	24.5	CF/CM/CU36D	1200	34.6	26.8	16.50	14.25
YCG36B21S	YP9C120D20MP13C	24.5	CF/CM/CU42D	1200	35.8	27.4	16.75	13.75
YCG36B21S	YP9C120D20MP13C	24.5	CF/CM/CU48D	1200	36.0	28.0	16.75	13.75
YCG36B21S	YP9C120D20MP13C	24.5	CF/CM/CU60D	1200	36.0	27.6	16.75	14.00
YCG36B21S	YP9C120D20MP13C	24.5	XAFD42E	1050	35.8	25.8	16.50	13.75
YCG36B21S	YP9C120D20MP13C	24.5	XAFD48F	1050	36.0	25.6	16.50	13.75
YCG36B21S	YP9C120D20MP13C	24.5	XAHD42E	1050	35.8	25.8	16.50	13.75
YCG36B21S	YP9C120D20MP13C	24.5	XAHD48F	1050	36.0	25.6	16.50	13.75
YCG36B21S	YPLC060A12MP13C	17.5	XAF/XAUB36D	1050	34.6	25.8	15.75	13.00
YCG36B21S	YPLC060A12MP13C	17.5	XAFB36E	1050	35.4	25.8	15.50	13.00
YCG36B21S	YPLC060A12MP13C	17.5	XAHB36D	1050	34.6	25.8	15.50	12.75
YCG36B21S	YPLC080B12MP13C	17.5	XAF/XAUB36D	1000	34.6	25.2	15.50	12.75
YCG36B21S	YPLC080B12MP13C	21.0	XAF/XAUC42E	1000	35.4	25.2	15.50	12.75
YCG36B21S	YPLC080B12MP13C	21.0	XAF/XAUC48F	1000	35.8	25.0	15.50	12.75
YCG36B21S	YPLC080B12MP13C	17.5	XAFB36E	1000	35.4	25.2	15.25	12.75
YCG36B21S	YPLC080B12MP13C	21.0	XAFC36D	1000	34.6	25.2	15.50	12.75
YCG36B21S	YPLC080B12MP13C	17.5	XAHB36D	1000	34.6	25.2	15.00	12.75
YCG36B21S	YPLC080B12MP13C	21.0	XAHC36D	1000	34.6	25.2	15.50	12.75
YCG36B21S	YPLC080B12MP13C	21.0	XAHC42E	1000	35.4	25.2	15.50	12.75
YCG36B21S	YPLC080B12MP13C	21.0	XAHC48F	1000	35.8	25.0	15.75	13.00
YCG36B21S	YPLC080C16MP13C	21.0	CF/CM/CU36C	1150	34.6	26.6	16.20	13.50
YCG36B21S	YPLC080C16MP13C	21.0	CF/CM/CU36D	1150	36.0	27.8	16.25	13.75
YCG36B21S	YPLC080C16MP13C	21.0	CF/CM/CU42C	1200	36.0	27.6	16.25	13.50
YCG36B21S	YPLC080C16MP13C	21.0	CF/CM/CU42D	1200	36.0	27.6	16.50	13.75
YCG36B21S	YPLC080C16MP13C	21.0	CF/CM/CU48C	1150	36.0	27.4	16.50	13.75
YCG36B21S	YPLC080C16MP13C	21.0	CF/CM/CU48D	1150	36.0	27.4	16.50	13.75
YCG36B21S	YPLC080C16MP13C	21.0	CF/CM/CU60C	1200	36.0	27.6	16.50	13.75

COOLING CAPACITY - With High Efficiency Motor Furnaces¹ (Continued)

UNIT MODEL	FURNACE		COIL MODEL ²	COOLING				
	MODEL	WIDTH		RATED CFM	NET MBH		SEER	EER
					TOTAL	SENS.		
YCG36B21S	YPLC080C16MP13C	21.0	CF/CM/CU60D	1200	36.0	27.6	16.50	14.00
YCG36B21S	YPLC080C16MP13C	21.0	XAF/XAUC42E	1050	36.0	25.8	16.25	13.50
YCG36B21S	YPLC080C16MP13C	21.0	XAF/XAUC48F	1050	36.0	25.6	16.25	13.50
YCG36B21S	YPLC080C16MP13C	21.0	XAFC36D	1050	34.6	25.6	16.25	13.50
YCG36B21S	YPLC080C16MP13C	24.5	XAFD42E	1050	35.8	25.8	16.25	13.50
YCG36B21S	YPLC080C16MP13C	24.5	XAFD48F	1050	35.8	25.6	16.50	13.75
YCG36B21S	YPLC080C16MP13C	21.0	XAHC36D	1050	34.6	25.8	16.25	13.50
YCG36B21S	YPLC080C16MP13C	21.0	XAHC42E	1050	36.0	25.8	16.25	13.50
YCG36B21S	YPLC080C16MP13C	21.0	XAHC48F	1050	36.0	25.6	16.50	13.75
YCG36B21S	YPLC080C16MP13C	24.5	XAHD42E	1050	35.8	25.8	16.25	13.50
YCG36B21S	YPLC080C16MP13C	24.5	XAHD48F	1050	35.8	25.6	16.25	13.50
YCG36B21S	YPLC100C16MP13C	21.0	CF/CM/CU36C	1150	34.6	26.6	16.20	13.50
YCG36B21S	YPLC100C16MP13C	21.0	CF/CM/CU36D	1150	36.0	27.8	16.25	13.75
YCG36B21S	YPLC100C16MP13C	21.0	CF/CM/CU42C	1200	36.0	27.6	16.25	13.50
YCG36B21S	YPLC100C16MP13C	21.0	CF/CM/CU42D	1200	36.0	27.6	16.50	13.75
YCG36B21S	YPLC100C16MP13C	21.0	CF/CM/CU48C	1150	36.0	27.4	16.50	13.75
YCG36B21S	YPLC100C16MP13C	21.0	CF/CM/CU48D	1150	36.0	27.4	16.50	13.75
YCG36B21S	YPLC100C16MP13C	21.0	CF/CM/CU60C	1200	36.0	27.6	16.50	13.75
YCG36B21S	YPLC100C16MP13C	21.0	CF/CM/CU60D	1200	36.0	27.6	16.50	14.00
YCG36B21S	YPLC100C16MP13C	21.0	XAF/XAUC42E	1050	36.0	25.8	16.25	13.50
YCG36B21S	YPLC100C16MP13C	21.0	XAF/XAUC48F	1050	36.0	25.6	16.25	13.50
YCG36B21S	YPLC100C16MP13C	21.0	XAFC36D	1050	34.6	25.6	16.25	13.50
YCG36B21S	YPLC100C16MP13C	24.5	XAFD42E	1050	35.8	25.8	16.25	13.50
YCG36B21S	YPLC100C16MP13C	24.5	XAFD48F	1050	35.8	25.6	16.50	13.75
YCG36B21S	YPLC100C16MP13C	21.0	XAHC36D	1050	34.6	25.8	16.25	13.50
YCG36B21S	YPLC100C16MP13C	21.0	XAHC42E	1050	36.0	25.8	16.25	13.50
YCG36B21S	YPLC100C16MP13C	21.0	XAHC48F	1050	36.0	25.6	16.50	13.75
YCG36B21S	YPLC100C16MP13C	24.5	XAHD42E	1050	35.8	25.8	16.25	13.50
YCG36B21S	YPLC100C16MP13C	24.5	XAHD48F	1050	35.8	25.6	16.25	13.50
YCG36B21S	YPLC100C20MP13C	21.0	CF/CM/CU36C	1150	34.8	26.8	16.00	13.50
YCG36B21S	YPLC100C20MP13C	21.0	CF/CM/CU36D	1150	36.0	27.6	16.75	14.00
YCG36B21S	YPLC100C20MP13C	21.0	CF/CM/CU42C	1225	36.0	27.8	16.50	13.50
YCG36B21S	YPLC100C20MP13C	21.0	CF/CM/CU42D	1225	36.0	27.6	16.75	14.00
YCG36B21S	YPLC100C20MP13C	21.0	CF/CM/CU48C	1150	36.0	27.4	16.50	13.75
YCG36B21S	YPLC100C20MP13C	21.0	CF/CM/CU48D	1225	36.0	28.0	17.00	14.25
YCG36B21S	YPLC100C20MP13C	21.0	CF/CM/CU60C	1225	36.0	27.6	16.75	13.75
YCG36B21S	YPLC100C20MP13C	21.0	CF/CM/CU60D	1225	36.0	27.6	17.00	14.00
YCG36B21S	YPLC100C20MP13C	21.0	XAF/XAUC42E	1150	36.0	27.0	16.50	13.50
YCG36B21S	YPLC100C20MP13C	21.0	XAF/XAUC48F	1150	36.0	26.6	16.50	13.75
YCG36B21S	YPLC100C20MP13C	21.0	XAFC36D	1150	34.8	26.8	16.00	13.50
YCG36B21S	YPLC100C20MP13C	24.5	XAFD42E	1150	35.8	27.0	16.50	13.75
YCG36B21S	YPLC100C20MP13C	24.5	XAFD48F	1150	35.8	26.6	16.50	13.75
YCG36B21S	YPLC100C20MP13C	21.0	XAHC36D	1125	34.8	26.6	16.00	13.50
YCG36B21S	YPLC100C20MP13C	21.0	XAHC42E	1125	36.0	26.6	16.25	13.50
YCG36B21S	YPLC100C20MP13C	21.0	XAHC48F	1150	36.0	26.6	16.50	13.75
YCG36B21S	YPLC100C20MP13C	24.5	XAHD42E	1125	35.8	26.6	16.50	13.75
YCG36B21S	YPLC100C20MP13C	24.5	XAHD48F	1150	35.8	26.6	16.50	13.75
YCG36B21S	YPLC120C20MP13C	21.0	CF/CM/CU36C	1150	34.8	26.8	16.00	13.50
YCG36B21S	YPLC120C20MP13C	21.0	CF/CM/CU36D	1150	36.0	27.6	16.75	14.00
YCG36B21S	YPLC120C20MP13C	21.0	CF/CM/CU42C	1225	36.0	27.8	16.50	13.50
YCG36B21S	YPLC120C20MP13C	21.0	CF/CM/CU42D	1225	36.0	27.6	16.75	14.00
YCG36B21S	YPLC120C20MP13C	21.0	CF/CM/CU48C	1150	36.0	27.4	16.50	13.75
YCG36B21S	YPLC120C20MP13C	21.0	CF/CM/CU48D	1225	36.0	28.0	17.00	14.25
YCG36B21S	YPLC120C20MP13C	21.0	CF/CM/CU60C	1225	36.0	27.6	16.75	13.75
YCG36B21S	YPLC120C20MP13C	21.0	CF/CM/CU60D	1225	36.0	27.6	17.00	14.00
YCG36B21S	YPLC120C20MP13C	21.0	XAF/XAUC42E	1150	36.0	27.0	16.50	13.50
YCG36B21S	YPLC120C20MP13C	21.0	XAF/XAUC48F	1150	36.0	26.6	16.50	13.75
YCG36B21S	YPLC120C20MP13C	21.0	XAFC36D	1150	34.8	26.8	16.00	13.50
YCG36B21S	YPLC120C20MP13C	24.5	XAFD42E	1150	35.8	27.0	16.50	13.75
YCG36B21S	YPLC120C20MP13C	24.5	XAFD48F	1150	35.8	26.6	16.50	13.75
YCG36B21S	YPLC120C20MP13C	21.0	XAHC36D	1125	34.8	26.6	16.00	13.50
YCG36B21S	YPLC120C20MP13C	21.0	XAHC42E	1125	36.0	26.6	16.25	13.50
YCG36B21S	YPLC120C20MP13C	21.0	XAHC48F	1150	36.0	26.6	16.50	13.75
YCG36B21S	YPLC120C20MP13C	24.5	XAHD42E	1125	35.8	26.6	16.50	13.75

COOLING CAPACITY - With High Efficiency Motor Furnaces¹ (Continued)

UNIT MODEL	FURNACE		COIL MODEL ²	COOLING				
	MODEL	WIDTH		RATED CFM	NET MBH		SEER	EER
					TOTAL	SENS.		
YCG36B21S	YPLC120C20MP13C	24.5	XAHD48F	1150	35.8	26.6	16.50	13.75
YCG42B21S	TL8E080C16UH11	21.0	CF/CM/CU42C	1125	40.0	29.2	16.50	13.75
YCG42B21S	TL8E080C16UH11	21.0	CF/CM/CU48C	1125	41.0	29.4	16.75	14.00
YCG42B21S	TL8E080C16UH11	21.0	CF/CM/CU48D	1125	41.0	29.4	16.75	14.00
YCG42B21S	TL8E080C16UH11	21.0	CF/CM/CU60C	1125	40.0	29.0	16.50	13.75
YCG42B21S	TL8E080C16UH11	21.0	CF/CM42D	1125	40.0	29.2	16.50	13.75
YCG42B21S	TL8E080C16UH11	21.0	CF/CM64D	1125	41.5	30.2	17.00	14.00
YCG42B21S	TL8E080C16UH11	21.0	XAF/XAUC42E	1225	40.0	28.2	16.25	13.50
YCG42B21S	TL8E080C16UH11	21.0	XAF/XAUC48F	1250	41.0	28.0	16.25	13.50
YCG42B21S	TL8E080C16UH11	21.0	XAF/XAUC60G	1275	40.0	29.0	16.50	13.75
YCG42B21S	TL8E080C16UH11	24.5	XAF/XAUD60G	1275	41.0	29.0	16.50	13.75
YCG42B21S	TL8E080C16UH11	24.5	XAFD42E	1250	40.0	28.6	16.25	13.50
YCG42B21S	TL8E080C16UH11	24.5	XAFD48F	1250	41.0	28.0	16.25	13.50
YCG42B21S	TL8E080C16UH11	21.0	XAHC42E	1200	40.0	28.0	16.00	13.50
YCG42B21S	TL8E080C16UH11	21.0	XAHC48F	1250	41.0	28.0	16.25	13.50
YCG42B21S	TL8E080C16UH11	21.0	XAHC60G	1275	40.0	29.0	16.50	13.75
YCG42B21S	TL8E080C16UH11	24.5	XAHD42E	1225	40.0	28.2	16.25	13.50
YCG42B21S	TL8E080C16UH11	24.5	XAHD48F	1250	41.0	28.0	16.25	13.50
YCG42B21S	TL8E080C16UH11	21.0	XAHD60G	1250	41.0	28.8	16.50	13.75
YCG42B21S	TL8E100C20UH11	21.0	CF/CM/CU42C	1250	40.5	30.4	16.75	14.00
YCG42B21S	TL8E100C20UH11	21.0	CF/CM/CU60C	1250	41.0	30.8	16.50	13.75
YCG42B21S	TL8E100C20UH11	21.0	CF/CM42D	1275	40.5	30.6	16.75	14.00
YCG42B21S	TL8E100C20UH11	21.0	CF/CM64D	1250	41.5	31.2	17.25	14.00
YCG42B21S	TL8E100C20UH11	21.0	XAF/XAUC42E	1200	40.5	27.8	16.50	13.75
YCG42B21S	TL8E100C20UH11	21.0	XAF/XAUC48F	1225	41.0	27.6	16.50	13.75
YCG42B21S	TL8E100C20UH11	21.0	XAF/XAUC60G	1250	41.0	28.6	16.50	13.75
YCG42B21S	TL8E100C20UH11	24.5	XAF/XAUD60G	1250	41.5	28.6	17.00	14.00
YCG42B21S	TL8E100C20UH11	24.5	XAFD42E	1225	40.5	28.4	16.75	14.00
YCG42B21S	TL8E100C20UH11	24.5	XAFD48F	1250	41.0	27.8	16.50	13.75
YCG42B21S	TL8E100C20UH11	21.0	XAHC42E	1350	40.5	29.4	16.25	13.50
YCG42B21S	TL8E100C20UH11	21.0	XAHC48F	1250	41.0	27.8	16.75	14.00
YCG42B21S	TL8E100C20UH11	21.0	XAHC60G	1275	41.0	28.8	16.50	13.75
YCG42B21S	TL8E100C20UH11	24.5	XAHD42E	1200	40.5	27.8	16.50	13.75
YCG42B21S	TL8E100C20UH11	24.5	XAHD48F	1225	41.0	27.6	16.50	13.75
YCG42B21S	TL8E100C20UH11	21.0	XAHD60G	1225	41.5	28.6	17.00	14.00
YCG42B21S	TL9E060B12UH11	17.5	CF/CM/CU42C	1225	40.0	30.0	15.00	12.50
YCG42B21S	TL9E060B12UH11	17.5	CF/CM/CU48C	1225	40.5	30.0	15.00	12.50
YCG42B21S	TL9E060B12UH11	17.5	CF/CM/CU60C	1225	40.0	29.8	15.00	12.50
YCG42B21S	TL9E060B12UH11	21.0	XAF/XAUC60G	1225	40.0	28.6	15.00	12.50
YCG42B21S	TL9E060B12UH11	21.0	XAHC60G	1225	40.0	28.6	15.00	12.50
YCG42B21S	TL9E080C16UH11	21.0	CF/CM/CU42C	1250	40.5	30.4	16.00	13.50
YCG42B21S	TL9E080C16UH11	21.0	CF/CM/CU48C	1250	41.0	30.8	16.25	13.50
YCG42B21S	TL9E080C16UH11	21.0	CF/CM/CU48D	1100	40.5	29.0	16.50	13.75
YCG42B21S	TL9E080C16UH11	21.0	CF/CM/CU60C	1250	40.5	30.4	16.00	13.50
YCG42B21S	TL9E080C16UH11	21.0	CF/CM42D	1100	39.5	28.6	16.25	13.50
YCG42B21S	TL9E080C16UH11	21.0	CF/CM64D	1250	41.5	31.2	16.50	13.75
YCG42B21S	TL9E080C16UH11	21.0	XAF/XAUC42E	1225	40.0	28.2	16.00	13.50
YCG42B21S	TL9E080C16UH11	21.0	XAF/XAUC48F	1250	41.0	28.0	16.00	13.50
YCG42B21S	TL9E080C16UH11	21.0	XAF/XAUC60G	1250	40.5	28.4	16.00	13.50
YCG42B21S	TL9E080C16UH11	24.5	XAF/XAUD60G	1250	41.0	28.4	16.25	13.50
YCG42B21S	TL9E080C16UH11	24.5	XAFD42E	1225	39.5	28.2	16.00	13.25
YCG42B21S	TL9E080C16UH11	24.5	XAFD48F	1250	40.5	28.0	16.00	13.50
YCG42B21S	TL9E080C16UH11	21.0	XAHC42E	1200	40.0	28.0	16.00	13.50
YCG42B21S	TL9E080C16UH11	21.0	XAHC48F	1250	41.0	28.0	16.00	13.50
YCG42B21S	TL9E080C16UH11	21.0	XAHC60G	1275	40.5	29.0	16.00	13.50
YCG42B21S	TL9E080C16UH11	24.5	XAHD42E	1225	39.5	28.2	16.00	13.50
YCG42B21S	TL9E080C16UH11	24.5	XAHD48F	1250	40.5	28.0	16.00	13.50
YCG42B21S	TL9E080C16UH11	21.0	XAHD60G	1250	41.0	28.4	16.25	13.50
YCG42B21S	TL9E100C20UH11	21.0	CF/CM/CU42C	1125	40.0	29.2	16.50	13.75
YCG42B21S	TL9E100C20UH11	21.0	CF/CM/CU48C	1125	41.0	29.6	17.00	14.00
YCG42B21S	TL9E100C20UH11	21.0	CF/CM/CU48D	1150	41.0	29.8	17.00	14.00
YCG42B21S	TL9E100C20UH11	21.0	CF/CM/CU60C	1125	40.5	29.2	16.50	13.75
YCG42B21S	TL9E100C20UH11	21.0	CF/CM42D	1150	40.0	29.0	16.75	14.00
YCG42B21S	TL9E100C20UH11	21.0	CF/CM64D	1225	41.5	31.0	17.25	14.00

COOLING CAPACITY - With High Efficiency Motor Furnaces¹ (Continued)

UNIT MODEL	FURNACE		COIL MODEL ²	COOLING				
	MODEL	WIDTH		RATED CFM	NET MBH		SEER	EER
					TOTAL	SENS.		
YCG42B21S	TL9E100C20UH11	21.0	XAF/XAUC42E	1375	40.0	29.8	16.25	13.50
YCG42B21S	TL9E100C20UH11	21.0	XAF/XAUC48F	1200	41.0	27.6	16.50	13.75
YCG42B21S	TL9E100C20UH11	21.0	XAF/XAUC60G	1200	40.5	28.4	16.50	13.75
YCG42B21S	TL9E100C20UH11	24.5	XAF/XAUD60G	1200	41.0	28.4	16.50	13.75
YCG42B21S	TL9E100C20UH11	24.5	XAFD42E	1400	40.0	30.0	16.25	13.50
YCG42B21S	TL9E100C20UH11	24.5	XAFD48F	1200	41.0	27.6	16.50	13.75
YCG42B21S	TL9E100C20UH11	21.0	XAHC42E	1350	40.0	29.4	16.00	13.50
YCG42B21S	TL9E100C20UH11	21.0	XAHC48F	1200	41.0	27.6	16.50	13.75
YCG42B21S	TL9E100C20UH11	21.0	XAHC60G	1225	40.5	28.4	16.50	13.75
YCG42B21S	TL9E100C20UH11	24.5	XAHD42E	1375	40.0	29.8	16.00	13.50
YCG42B21S	TL9E100C20UH11	24.5	XAHD48F	1200	41.0	27.6	16.50	13.75
YCG42B21S	TL9E100C20UH11	21.0	XAHD60G	1200	41.0	28.0	16.50	13.75
YCG42B21S	TM8E080B12MP11	17.5	CF/CM/CU42C	1250	40.5	30.4	15.75	13.00
YCG42B21S	TM8E080B12MP11	17.5	CF/CM/CU48C	1250	41.0	30.8	15.75	13.00
YCG42B21S	TM8E080B12MP11	17.5	CF/CM/CU60C	1250	41.0	30.8	15.50	12.75
YCG42B21S	TM8E080B12MP11	21.0	XAF/XAUC42E	1225	40.5	28.4	15.50	12.75
YCG42B21S	TM8E080B12MP11	21.0	XAF/XAUC48F	1225	40.5	27.6	15.75	13.00
YCG42B21S	TM8E080B12MP11	21.0	XAF/XAUC60G	1250	41.0	28.6	15.50	12.75
YCG42B21S	TM8E080B12MP11	21.0	XAHC42E	1200	40.5	27.8	15.50	12.75
YCG42B21S	TM8E080B12MP11	21.0	XAHC60G	1250	41.0	28.6	15.50	12.75
YCG42B21S	TM8E080C16MP11	21.0	CF/CM/CU42C	1100	40.0	29.0	16.50	13.75
YCG42B21S	TM8E080C16MP11	21.0	CF/CM/CU48C	1100	41.0	29.2	16.75	14.00
YCG42B21S	TM8E080C16MP11	21.0	CF/CM/CU48D	1100	41.0	29.2	16.75	14.00
YCG42B21S	TM8E080C16MP11	21.0	CF/CM/CU60C	1100	40.5	29.0	16.50	13.75
YCG42B21S	TM8E080C16MP11	21.0	CF/CM/CU60D	1125	41.0	29.6	16.50	13.75
YCG42B21S	TM8E080C16MP11	21.0	CF/CM42D	1125	40.5	29.4	16.50	13.75
YCG42B21S	TM8E080C16MP11	21.0	CF/CM64D	1100	41.0	29.6	17.00	14.00
YCG42B21S	TM8E080C16MP11	21.0	XAF/XAUC42E	1250	40.0	28.6	16.25	13.50
YCG42B21S	TM8E080C16MP11	21.0	XAF/XAUC48F	1250	41.0	28.0	16.25	13.50
YCG42B21S	TM8E080C16MP11	21.0	XAF/XAUC60G	1275	40.5	29.0	16.50	13.75
YCG42B21S	TM8E080C16MP11	24.5	XAF/XAUD60G	1275	41.0	29.0	16.50	13.75
YCG42B21S	TM8E080C16MP11	24.5	XAFD42E	1250	40.5	28.6	16.25	13.50
YCG42B21S	TM8E080C16MP11	24.5	XAFD48F	1275	41.0	28.0	16.25	13.50
YCG42B21S	TM8E080C16MP11	21.0	XAHC42E	1225	40.0	28.2	16.00	13.50
YCG42B21S	TM8E080C16MP11	21.0	XAHC48F	1275	41.0	28.0	16.25	13.50
YCG42B21S	TM8E080C16MP11	21.0	XAHC60G	1300	40.5	29.0	16.50	13.75
YCG42B21S	TM8E080C16MP11	24.5	XAHD42E	1225	40.5	28.2	16.00	13.50
YCG42B21S	TM8E080C16MP11	24.5	XAHD48F	1250	41.0	28.0	16.25	13.50
YCG42B21S	TM8E080C16MP11	21.0	XAHD60G	1250	41.0	28.8	16.50	13.75
YCG42B21S	TM8E080C20MP11	21.0	CF/CM/CU42C	1250	41.0	30.8	16.75	14.00
YCG42B21S	TM8E080C20MP11	21.0	CF/CM/CU48C	1250	41.5	31.2	16.75	14.00
YCG42B21S	TM8E080C20MP11	21.0	CF/CM/CU48D	1275	41.5	31.4	16.75	14.00
YCG42B21S	TM8E080C20MP11	21.0	CF/CM/CU60C	1250	41.5	31.2	16.50	13.75
YCG42B21S	TM8E080C20MP11	21.0	CF/CM/CU60D	1275	41.5	31.4	16.50	13.75
YCG42B21S	TM8E080C20MP11	21.0	CF/CM42D	1275	41.0	31.0	16.75	14.00
YCG42B21S	TM8E080C20MP11	21.0	CF/CM64D	1250	42.0	31.6	17.25	14.00
YCG42B21S	TM8E080C20MP11	21.0	XAF/XAUC42E	1200	41.0	27.8	16.50	13.75
YCG42B21S	TM8E080C20MP11	21.0	XAF/XAUC48F	1225	41.5	27.6	16.50	13.75
YCG42B21S	TM8E080C20MP11	21.0	XAF/XAUC60G	1250	41.5	28.6	16.50	13.75
YCG42B21S	TM8E080C20MP11	24.5	XAF/XAUD60G	1250	41.5	28.6	16.50	13.75
YCG42B21S	TM8E080C20MP11	24.5	XAFD42E	1225	41.0	28.4	16.50	13.75
YCG42B21S	TM8E080C20MP11	24.5	XAFD48F	1225	41.0	27.6	16.50	13.75
YCG42B21S	TM8E080C20MP11	21.0	XAHC42E	1400	41.0	30.0	16.25	13.50
YCG42B21S	TM8E080C20MP11	21.0	XAHC48F	1225	41.5	27.6	16.75	14.00
YCG42B21S	TM8E080C20MP11	21.0	XAHC60G	1250	41.5	28.6	16.50	13.75
YCG42B21S	TM8E080C20MP11	24.5	XAHD42E	1200	41.0	27.8	16.50	13.75
YCG42B21S	TM8E080C20MP11	24.5	XAHD48F	1225	41.0	27.6	16.50	13.75
YCG42B21S	TM8E080C20MP11	21.0	XAHD60G	1225	41.5	28.6	16.50	13.75
YCG42B21S	TM8E100B12MP11	17.5	CF/CM/CU42C	1100	40.0	29.0	16.00	13.50
YCG42B21S	TM8E100B12MP11	17.5	CF/CM/CU48C	1100	41.0	29.2	16.25	13.50
YCG42B21S	TM8E100B12MP11	17.5	CF/CM/CU60C	1100	40.5	29.2	15.75	13.00
YCG42B21S	TM8E100B12MP11	21.0	XAF/XAUC42E	1225	40.0	28.2	16.00	13.50
YCG42B21S	TM8E100B12MP11	21.0	XAF/XAUC48F	1225	40.5	27.6	15.75	13.00
YCG42B21S	TM8E100B12MP11	21.0	XAF/XAUC60G	1250	40.5	28.6	15.75	13.00

COOLING CAPACITY - With High Efficiency Motor Furnaces¹ (Continued)

UNIT MODEL	FURNACE		COIL MODEL ²	COOLING				
	MODEL	WIDTH		RATED CFM	NET MBH		SEER	EER
					TOTAL	SENS.		
YCG42B21S	TM8E100B12MP11	21.0	XAHC42E	1200	40.0	28.2	15.75	13.00
YCG42B21S	TM8E100B12MP11	21.0	XAHC60G	1250	40.5	28.6	15.75	13.00
YCG42B21S	TM8E100C16MP11	21.0	CF/CM/CU42C	1125	40.5	29.6	16.50	13.75
YCG42B21S	TM8E100C16MP11	21.0	CF/CM/CU48C	1125	41.5	30.0	16.75	14.00
YCG42B21S	TM8E100C16MP11	21.0	CF/CM/CU48D	1125	41.5	30.0	16.75	14.00
YCG42B21S	TM8E100C16MP11	21.0	CF/CM/CU60C	1125	40.5	29.2	16.50	13.75
YCG42B21S	TM8E100C16MP11	21.0	CF/CM/CU60D	1125	40.5	29.2	16.25	13.50
YCG42B21S	TM8E100C16MP11	21.0	CF/CM42D	1125	40.5	29.6	16.50	13.75
YCG42B21S	TM8E100C16MP11	21.0	CF/CM64D	1125	41.5	30.2	17.00	14.00
YCG42B21S	TM8E100C16MP11	21.0	XAF/XAUC42E	1275	40.5	28.8	16.25	13.50
YCG42B21S	TM8E100C16MP11	21.0	XAF/XAUC48F	1275	41.5	28.2	16.25	13.50
YCG42B21S	TM8E100C16MP11	21.0	XAF/XAUC60G	1300	40.5	29.0	16.50	13.75
YCG42B21S	TM8E100C16MP11	24.5	XAF/XAUD60G	1300	40.5	29.0	16.25	13.50
YCG42B21S	TM8E100C16MP11	24.5	XAFD42E	1275	40.5	28.8	16.25	13.50
YCG42B21S	TM8E100C16MP11	24.5	XAFD48F	1300	41.5	28.6	16.25	13.50
YCG42B21S	TM8E100C16MP11	21.0	XAHC42E	1250	40.5	28.4	16.00	13.50
YCG42B21S	TM8E100C16MP11	21.0	XAHC48F	1300	41.5	28.6	16.25	13.50
YCG42B21S	TM8E100C16MP11	21.0	XAHC60G	1325	40.5	29.2	16.50	13.75
YCG42B21S	TM8E100C16MP11	24.5	XAHD42E	1250	40.5	28.4	16.25	13.50
YCG42B21S	TM8E100C16MP11	24.5	XAHD48F	1275	41.0	28.2	16.25	13.50
YCG42B21S	TM8E100C16MP11	21.0	XAHD60G	1275	40.5	29.0	16.25	13.50
YCG42B21S	TM8E100C20MP11	21.0	CF/CM/CU42C	1250	41.0	30.8	16.50	13.75
YCG42B21S	TM8E100C20MP11	21.0	CF/CM/CU48C	1250	41.5	31.2	16.75	14.00
YCG42B21S	TM8E100C20MP11	21.0	CF/CM/CU48D	1275	41.5	31.4	16.75	14.00
YCG42B21S	TM8E100C20MP11	21.0	CF/CM/CU60C	1250	41.5	31.2	16.50	13.75
YCG42B21S	TM8E100C20MP11	21.0	CF/CM/CU60D	1275	41.5	31.4	16.50	13.75
YCG42B21S	TM8E100C20MP11	21.0	CF/CM42D	1275	41.0	31.0	16.75	14.00
YCG42B21S	TM8E100C20MP11	21.0	CF/CM64D	1250	42.0	31.6	17.00	14.00
YCG42B21S	TM8E100C20MP11	21.0	XAF/XAUC42E	1200	40.5	27.8	16.50	13.75
YCG42B21S	TM8E100C20MP11	21.0	XAF/XAUC48F	1225	41.5	27.8	16.50	13.75
YCG42B21S	TM8E100C20MP11	21.0	XAF/XAUC60G	1250	41.5	28.6	16.50	13.75
YCG42B21S	TM8E100C20MP11	24.5	XAF/XAUD60G	1250	41.5	28.6	16.50	13.75
YCG42B21S	TM8E100C20MP11	24.5	XAFD42E	1225	41.0	28.4	16.50	13.75
YCG42B21S	TM8E100C20MP11	24.5	XAFD48F	1225	41.0	27.6	16.50	13.75
YCG42B21S	TM8E100C20MP11	21.0	XAHC42E	1375	41.0	29.8	16.00	13.50
YCG42B21S	TM8E100C20MP11	21.0	XAHC48F	1225	41.5	27.6	16.50	13.75
YCG42B21S	TM8E100C20MP11	21.0	XAHC60G	1250	41.5	28.6	16.50	13.75
YCG42B21S	TM8E100C20MP11	24.5	XAHD42E	1200	40.5	27.8	16.50	13.75
YCG42B21S	TM8E100C20MP11	24.5	XAHD48F	1225	41.0	27.6	16.50	13.75
YCG42B21S	TM8E100C20MP11	21.0	XAHD60G	1225	41.5	28.6	16.50	13.75
YCG42B21S	TM8E120C16MP11	21.0	CF/CM/CU42C	1125	40.5	29.6	16.50	13.75
YCG42B21S	TM8E120C16MP11	21.0	CF/CM/CU48C	1125	41.5	30.0	16.75	14.00
YCG42B21S	TM8E120C16MP11	21.0	CF/CM/CU48D	1125	41.5	30.0	16.75	14.00
YCG42B21S	TM8E120C16MP11	21.0	CF/CM/CU60C	1125	40.5	29.2	16.50	13.75
YCG42B21S	TM8E120C16MP11	21.0	CF/CM/CU60D	1125	41.0	29.6	16.25	13.50
YCG42B21S	TM8E120C16MP11	21.0	CF/CM42D	1125	40.5	29.4	16.50	13.75
YCG42B21S	TM8E120C16MP11	21.0	CF/CM64D	1125	41.5	30.2	17.00	14.00
YCG42B21S	TM8E120C16MP11	21.0	XAF/XAUC42E	1275	40.5	28.8	16.25	13.50
YCG42B21S	TM8E120C16MP11	21.0	XAF/XAUC48F	1275	41.5	28.2	16.25	13.50
YCG42B21S	TM8E120C16MP11	21.0	XAF/XAUC60G	1300	40.5	29.0	16.50	13.75
YCG42B21S	TM8E120C16MP11	24.5	XAF/XAUD60G	1300	41.0	29.0	16.25	13.50
YCG42B21S	TM8E120C16MP11	24.5	XAFD42E	1275	40.5	28.8	16.25	13.50
YCG42B21S	TM8E120C16MP11	24.5	XAFD48F	1300	41.5	28.6	16.25	13.50
YCG42B21S	TM8E120C16MP11	21.0	XAHC42E	1250	40.5	28.4	16.25	13.50
YCG42B21S	TM8E120C16MP11	21.0	XAHC48F	1300	41.5	28.6	16.25	13.50
YCG42B21S	TM8E120C16MP11	21.0	XAHC60G	1325	40.5	29.2	16.50	13.75
YCG42B21S	TM8E120C16MP11	24.5	XAHD42E	1250	40.5	28.6	16.25	13.50
YCG42B21S	TM8E120C16MP11	24.5	XAHD48F	1300	41.5	28.6	16.25	13.50
YCG42B21S	TM8E120C16MP11	21.0	XAHD60G	1300	41.0	29.0	16.25	13.50
YCG42B21S	TM8E120C20MP11	21.0	CF/CM/CU42C	1275	41.0	31.0	16.50	13.75
YCG42B21S	TM8E120C20MP11	21.0	CF/CM/CU48C	1300	41.5	31.6	16.75	14.00
YCG42B21S	TM8E120C20MP11	21.0	CF/CM/CU48D	1300	41.5	31.6	16.75	14.00
YCG42B21S	TM8E120C20MP11	21.0	CF/CM/CU60C	1275	41.5	31.4	16.50	13.75
YCG42B21S	TM8E120C20MP11	21.0	CF/CM/CU60D	1325	41.5	31.8	16.50	13.75

COOLING CAPACITY - With High Efficiency Motor Furnaces¹ (Continued)

UNIT MODEL	FURNACE		COIL MODEL ²	COOLING				
	MODEL	WIDTH		RATED CFM	NET MBH		SEER	EER
					TOTAL	SENS.		
YCG42B21S	TM8E120C20MP11	21.0	CF/CM42D	1300	41.5	31.8	16.75	14.00
YCG42B21S	TM8E120C20MP11	21.0	CF/CM64D	1300	42.0	32.2	17.00	14.00
YCG42B21S	TM8E120C20MP11	21.0	XAF/XAUC42E	1250	41.0	28.6	16.50	13.75
YCG42B21S	TM8E120C20MP11	21.0	XAF/XAUC48F	1250	41.5	27.8	16.50	13.75
YCG42B21S	TM8E120C20MP11	21.0	XAF/XAUC60G	1275	41.5	28.8	16.50	13.75
YCG42B21S	TM8E120C20MP11	24.5	XAF/XAUD60G	1275	41.5	28.8	16.50	13.75
YCG42B21S	TM8E120C20MP11	24.5	XAFD42E	1250	41.5	28.6	16.50	13.75
YCG42B21S	TM8E120C20MP11	24.5	XAFD48F	1275	41.5	28.4	16.50	13.75
YCG42B21S	TM8E120C20MP11	21.0	XAHC42E	1225	41.0	28.0	16.50	13.75
YCG42B21S	TM8E120C20MP11	21.0	XAHC48F	1275	41.5	28.4	16.50	13.75
YCG42B21S	TM8E120C20MP11	21.0	XAHC60G	1300	41.5	29.0	16.50	13.75
YCG42B21S	TM8E120C20MP11	24.5	XAHD42E	1225	41.5	28.4	16.50	13.75
YCG42B21S	TM8E120C20MP11	24.5	XAHD48F	1275	41.5	28.4	16.50	13.75
YCG42B21S	TM8E120C20MP11	21.0	XAHD60G	1275	41.5	28.8	16.50	13.75
YCG42B21S	TM8E130D20MP11	24.5	CF/CM/CU48D	1300	41.5	31.6	17.00	14.00
YCG42B21S	TM8E130D20MP11	24.5	CF/CM/CU60D	1325	41.5	31.8	16.75	14.00
YCG42B21S	TM8E130D20MP11	24.5	CF/CM42D	1300	41.5	31.8	16.75	14.00
YCG42B21S	TM8E130D20MP11	24.5	CF/CM64D	1300	42.0	32.2	17.25	14.00
YCG42B21S	TM8E130D20MP11	24.5	XAF/XAUD60G	1275	41.5	28.8	16.75	14.00
YCG42B21S	TM8E130D20MP11	24.5	XAFD42E	1250	41.5	28.6	16.50	13.75
YCG42B21S	TM8E130D20MP11	24.5	XAFD48F	1275	41.5	28.4	16.75	14.00
YCG42B21S	TM8E130D20MP11	24.5	XAHD42E	1225	41.0	28.4	16.25	13.50
YCG42B21S	TM8E130D20MP11	24.5	XAHD48F	1250	41.5	27.8	16.50	13.75
YCG42B21S	TM8E130D20MP11	21.0	XAHD60G	1250	41.5	28.6	16.75	14.00
YCG42B21S	TM8V080C16MP12C	21.0	CF/CM/CU42C	1375	41.5	32.4	16.00	13.00
YCG42B21S	TM8V080C16MP12C	21.0	CF/CM/CU42D	1375	42.0	32.8	16.25	14.00
YCG42B21S	TM8V080C16MP12C	21.0	CF/CM/CU48C	1375	42.0	32.8	16.25	13.50
YCG42B21S	TM8V080C16MP12C	21.0	CF/CM/CU48D	1375	42.0	32.8	16.50	13.75
YCG42B21S	TM8V080C16MP12C	21.0	CF/CM/CU60C	1375	42.0	33.0	16.50	13.75
YCG42B21S	TM8V080C16MP12C	21.0	CF/CM/CU60D	1375	42.0	33.0	16.50	13.75
YCG42B21S	TM8V080C16MP12C	21.0	CF/CM64D	1375	42.0	33.0	16.50	13.75
YCG42B21S	TM8V080C16MP12C	21.0	XAF/XAUC42E	1200	41.5	28.0	16.00	13.50
YCG42B21S	TM8V080C16MP12C	21.0	XAF/XAUC48F	1200	41.0	27.4	16.25	13.50
YCG42B21S	TM8V080C16MP12C	21.0	XAF/XAUC60G	1200	42.0	28.2	16.50	13.75
YCG42B21S	TM8V080C16MP12C	24.5	XAF/XAUD60G	1200	41.5	28.2	16.50	13.75
YCG42B21S	TM8V080C16MP12C	24.5	XAFD42E	1200	41.0	28.0	16.25	13.50
YCG42B21S	TM8V080C16MP12C	24.5	XAFD48F	1200	40.5	27.4	16.25	13.50
YCG42B21S	TM8V080C16MP12C	21.0	XAHC42E	1200	41.5	28.0	16.00	13.25
YCG42B21S	TM8V080C16MP12C	21.0	XAHC48F	1200	41.5	27.6	16.25	13.50
YCG42B21S	TM8V080C16MP12C	21.0	XAHC60G	1200	42.0	28.0	16.50	13.75
YCG42B21S	TM8V080C16MP12C	24.5	XAHD42E	1200	41.0	28.0	16.00	13.50
YCG42B21S	TM8V080C16MP12C	24.5	XAHD48F	1200	40.5	27.4	16.25	13.50
YCG42B21S	TM8V080C16MP12C	21.0	XAHD60G	1200	42.0	28.2	16.50	13.75
YCG42B21S	TM8V100C16MP12C	21.0	CF/CM/CU42C	1375	41.5	32.4	16.00	13.00
YCG42B21S	TM8V100C16MP12C	21.0	CF/CM/CU42D	1375	42.0	32.8	16.25	14.00
YCG42B21S	TM8V100C16MP12C	21.0	CF/CM/CU48C	1375	42.0	32.8	16.25	13.50
YCG42B21S	TM8V100C16MP12C	21.0	CF/CM/CU48D	1375	42.0	32.8	16.50	13.75
YCG42B21S	TM8V100C16MP12C	21.0	CF/CM/CU60C	1375	42.0	33.0	16.50	13.75
YCG42B21S	TM8V100C16MP12C	21.0	CF/CM/CU60D	1375	42.0	33.0	16.50	13.75
YCG42B21S	TM8V100C16MP12C	21.0	CF/CM64D	1375	42.0	33.0	16.50	13.75
YCG42B21S	TM8V100C16MP12C	21.0	XAF/XAUC42E	1200	41.5	28.0	16.00	13.50
YCG42B21S	TM8V100C16MP12C	21.0	XAF/XAUC48F	1200	41.0	27.4	16.25	13.50
YCG42B21S	TM8V100C16MP12C	21.0	XAF/XAUC60G	1200	42.0	28.2	16.50	13.75
YCG42B21S	TM8V100C16MP12C	24.5	XAF/XAUD60G	1200	41.5	28.2	16.50	13.75
YCG42B21S	TM8V100C16MP12C	24.5	XAFD42E	1200	41.0	28.0	16.25	13.50
YCG42B21S	TM8V100C16MP12C	24.5	XAFD48F	1200	40.5	27.4	16.25	13.50
YCG42B21S	TM8V100C16MP12C	21.0	XAHC42E	1200	41.5	28.0	16.00	13.25
YCG42B21S	TM8V100C16MP12C	21.0	XAHC48F	1200	41.5	27.6	16.25	13.50
YCG42B21S	TM8V100C16MP12C	21.0	XAHC60G	1200	42.0	28.0	16.50	13.75
YCG42B21S	TM8V100C16MP12C	24.5	XAHD42E	1200	41.0	28.0	16.00	13.50
YCG42B21S	TM8V100C16MP12C	24.5	XAHD48F	1200	40.5	27.4	16.25	13.50
YCG42B21S	TM8V100C16MP12C	21.0	XAHD60G	1200	42.0	28.2	16.50	13.75
YCG42B21S	TM8V100C20MP12C	21.0	CF/CM/CU42C	1375	41.5	32.4	16.25	13.25
YCG42B21S	TM8V100C20MP12C	21.0	CF/CM/CU42D	1375	42.0	32.8	16.75	14.25

COOLING CAPACITY - With High Efficiency Motor Furnaces¹ (Continued)

UNIT MODEL	FURNACE		COIL MODEL ²	COOLING				
	MODEL	WIDTH		RATED CFM	NET MBH		SEER	EER
					TOTAL	SENS.		
YCG42B21S	TM8V100C20MP12C	21.0	CF/CM/CU48C	1375	42.0	32.8	16.50	13.75
YCG42B21S	TM8V100C20MP12C	21.0	CF/CM/CU48D	1375	42.0	32.8	16.50	13.75
YCG42B21S	TM8V100C20MP12C	21.0	CF/CM/CU60C	1375	42.0	33.0	16.50	13.75
YCG42B21S	TM8V100C20MP12C	21.0	CF/CM/CU60D	1375	42.0	33.0	16.75	13.75
YCG42B21S	TM8V100C20MP12C	21.0	CF/CM64D	1375	42.0	33.0	16.75	14.00
YCG42B21S	TM8V100C20MP12C	21.0	XAF/XAUC42E	1225	41.5	28.4	16.25	13.50
YCG42B21S	TM8V100C20MP12C	21.0	XAF/XAUC48F	1225	41.5	27.8	16.50	13.75
YCG42B21S	TM8V100C20MP12C	21.0	XAF/XAUC60G	1225	42.0	28.6	16.50	13.75
YCG42B21S	TM8V100C20MP12C	24.5	XAF/XAUD60G	1225	41.5	28.6	16.75	13.75
YCG42B21S	TM8V100C20MP12C	24.5	XAFD42E	1225	41.5	28.4	16.50	13.75
YCG42B21S	TM8V100C20MP12C	24.5	XAFD48F	1325	41.5	28.6	16.50	13.75
YCG42B21S	TM8V100C20MP12C	21.0	XAHC42E	1225	41.5	28.2	16.25	13.50
YCG42B21S	TM8V100C20MP12C	21.0	XAHC48F	1225	41.5	27.8	16.50	13.75
YCG42B21S	TM8V100C20MP12C	21.0	XAHC60G	1225	42.0	28.4	16.50	13.75
YCG42B21S	TM8V100C20MP12C	24.5	XAHD42E	1225	41.0	28.0	16.50	13.75
YCG42B21S	TM8V100C20MP12C	24.5	XAHD48F	1225	41.0	27.8	16.50	13.75
YCG42B21S	TM8V100C20MP12C	21.0	XAHD60G	1225	42.0	28.6	16.75	13.75
YCG42B21S	TM8V120C20MP12C	21.0	CF/CM/CU42C	1375	41.5	32.4	16.25	13.25
YCG42B21S	TM8V120C20MP12C	21.0	CF/CM/CU42D	1375	42.0	32.8	16.75	14.25
YCG42B21S	TM8V120C20MP12C	21.0	CF/CM/CU48C	1375	42.0	32.8	16.50	13.75
YCG42B21S	TM8V120C20MP12C	21.0	CF/CM/CU48D	1375	42.0	32.8	16.50	13.75
YCG42B21S	TM8V120C20MP12C	21.0	CF/CM/CU60C	1375	42.0	33.0	16.50	13.75
YCG42B21S	TM8V120C20MP12C	21.0	CF/CM/CU60D	1375	42.0	33.0	16.75	13.75
YCG42B21S	TM8V120C20MP12C	21.0	CF/CM64D	1375	42.0	33.0	16.75	14.00
YCG42B21S	TM8V120C20MP12C	21.0	XAF/XAUC42E	1225	41.5	28.4	16.25	13.50
YCG42B21S	TM8V120C20MP12C	21.0	XAF/XAUC48F	1225	41.5	27.8	16.50	13.75
YCG42B21S	TM8V120C20MP12C	21.0	XAF/XAUC60G	1225	42.0	28.6	16.50	13.75
YCG42B21S	TM8V120C20MP12C	24.5	XAF/XAUD60G	1225	41.5	28.6	16.75	13.75
YCG42B21S	TM8V120C20MP12C	24.5	XAFD42E	1225	41.5	28.4	16.50	13.75
YCG42B21S	TM8V120C20MP12C	24.5	XAFD48F	1325	41.5	28.6	16.50	13.75
YCG42B21S	TM8V120C20MP12C	21.0	XAHC42E	1225	41.5	28.2	16.25	13.50
YCG42B21S	TM8V120C20MP12C	21.0	XAHC48F	1225	41.5	27.8	16.50	13.75
YCG42B21S	TM8V120C20MP12C	21.0	XAHC60G	1225	42.0	28.4	16.50	13.75
YCG42B21S	TM8V120C20MP12C	24.5	XAHD42E	1225	41.0	28.0	16.50	13.75
YCG42B21S	TM8V120C20MP12C	24.5	XAHD48F	1225	41.0	27.8	16.50	13.75
YCG42B21S	TM8V120C20MP12C	21.0	XAHD60G	1225	42.0	28.6	16.75	13.75
YCG42B21S	TM8X080B12MP11	17.5	CF42B	1150	39.5	28.6	15.50	13.00
YCG42B21S	TM8X080C16MP11	21.0	CF/CM/CU42C	1375	41.5	32.4	16.25	13.25
YCG42B21S	TM8X080C16MP11	21.0	CF/CM/CU42D	1400	41.5	32.8	16.25	13.50
YCG42B21S	TM8X080C16MP11	21.0	CF/CM/CU48C	1375	42.0	32.8	16.50	13.50
YCG42B21S	TM8X080C16MP11	21.0	CF/CM/CU48D	1400	42.0	33.0	16.50	13.50
YCG42B21S	TM8X080C16MP11	21.0	CF/CM/CU60C	1375	42.0	33.0	16.50	13.75
YCG42B21S	TM8X080C16MP11	21.0	CF/CM/CU60D	1400	42.0	33.4	16.75	14.00
YCG42B21S	TM8X080C16MP11	21.0	CF/CM64D	1375	42.0	33.0	17.00	13.75
YCG42B21S	TM8X100C16MP11	21.0	CF/CM/CU42C	1375	41.5	32.4	16.25	13.25
YCG42B21S	TM8X100C16MP11	21.0	CF/CM/CU42D	1400	41.5	32.8	16.25	13.50
YCG42B21S	TM8X100C16MP11	21.0	CF/CM/CU48C	1375	42.0	32.8	16.50	13.50
YCG42B21S	TM8X100C16MP11	21.0	CF/CM/CU48D	1400	42.0	33.0	16.50	13.50
YCG42B21S	TM8X100C16MP11	21.0	CF/CM/CU60C	1375	42.0	33.0	16.50	13.75
YCG42B21S	TM8X100C16MP11	21.0	CF/CM/CU60D	1400	42.0	33.4	16.75	14.00
YCG42B21S	TM8X100C16MP11	21.0	CF/CM64D	1375	42.0	33.0	17.00	13.75
YCG42B21S	TM8X100C20MP11	21.0	CF/CM/CU42C	1400	41.5	32.8	16.50	13.50
YCG42B21S	TM8X100C20MP11	21.0	CF/CM/CU42D	1250	41.0	30.8	16.50	13.50
YCG42B21S	TM8X100C20MP11	21.0	CF/CM/CU48C	1400	42.0	33.0	17.00	14.00
YCG42B21S	TM8X100C20MP11	21.0	CF/CM/CU48D	1425	42.0	33.6	17.00	14.00
YCG42B21S	TM8X100C20MP11	21.0	CF/CM/CU60C	1400	42.0	33.4	17.00	14.00
YCG42B21S	TM8X100C20MP11	21.0	CF/CM/CU60D	1425	42.0	33.6	17.00	14.00
YCG42B21S	TM8X100C20MP11	21.0	CF/CM64D	1400	42.0	33.0	17.00	14.25
YCG42B21S	TM8X120C20MP11	21.0	CF/CM/CU42C	1400	41.5	32.8	16.50	13.50
YCG42B21S	TM8X120C20MP11	21.0	CF/CM/CU42D	1250	41.0	30.8	16.50	13.50
YCG42B21S	TM8X120C20MP11	21.0	CF/CM/CU48C	1400	42.0	33.0	17.00	14.00
YCG42B21S	TM8X120C20MP11	21.0	CF/CM/CU48D	1425	42.0	33.6	17.00	14.00
YCG42B21S	TM8X120C20MP11	21.0	CF/CM/CU60C	1400	42.0	33.4	17.00	14.00
YCG42B21S	TM8X120C20MP11	21.0	CF/CM/CU60D	1425	42.0	33.6	17.00	14.00

COOLING CAPACITY - With High Efficiency Motor Furnaces¹ (Continued)

UNIT MODEL	FURNACE		COIL MODEL ²	COOLING				
	MODEL	WIDTH		RATED CFM	NET MBH		SEER	EER
					TOTAL	SENS.		
YCG42B21S	TM8X120C20MP11	21.0	CF/CM64D	1400	42.0	33.0	17.00	14.25
YCG42B21S	TM8Y080B12MP11	17.5	CF42B	1150	39.5	28.6	15.50	13.00
YCG42B21S	TM8Y080B12MP11	21.0	XAF/XAUC60G	1200	41.0	28.2	16.25	13.50
YCG42B21S	TM8Y080B12MP11	21.0	XAHC60G	1225	41.0	28.4	16.25	13.50
YCG42B21S	TM8Y080C16MP11	21.0	CF/CM/CU42C	1375	41.5	32.4	16.25	13.25
YCG42B21S	TM8Y080C16MP11	21.0	CF/CM/CU42D	1400	41.5	32.8	16.25	13.50
YCG42B21S	TM8Y080C16MP11	21.0	CF/CM/CU48C	1375	42.0	32.8	16.50	13.50
YCG42B21S	TM8Y080C16MP11	21.0	CF/CM/CU48D	1400	42.0	33.0	16.50	13.50
YCG42B21S	TM8Y080C16MP11	21.0	CF/CM/CU60C	1375	42.0	33.0	16.50	13.75
YCG42B21S	TM8Y080C16MP11	21.0	CF/CM/CU60D	1400	42.0	33.4	16.75	14.00
YCG42B21S	TM8Y080C16MP11	21.0	CF/CM64D	1375	42.0	33.0	17.00	13.75
YCG42B21S	TM8Y080C16MP11	21.0	XAF/XAUC42E	1350	40.5	29.4	16.00	13.50
YCG42B21S	TM8Y080C16MP11	21.0	XAF/XAUC48F	1375	41.5	29.0	16.00	13.50
YCG42B21S	TM8Y080C16MP11	21.0	XAF/XAUC60G	1375	40.5	30.0	16.00	13.00
YCG42B21S	TM8Y080C16MP11	24.5	XAF/XAUD60G	1400	40.5	30.0	16.00	13.00
YCG42B21S	TM8Y080C16MP11	24.5	XAFD42E	1375	40.5	29.8	16.25	13.50
YCG42B21S	TM8Y080C16MP11	24.5	XAFD48F	1375	41.5	29.0	16.00	13.50
YCG42B21S	TM8Y080C16MP11	21.0	XAHC42E	1325	40.5	29.2	16.00	13.50
YCG42B21S	TM8Y080C16MP11	21.0	XAHC48F	1375	41.5	29.0	16.00	13.50
YCG42B21S	TM8Y080C16MP11	21.0	XAHC60G	1200	42.0	28.4	16.75	14.00
YCG42B21S	TM8Y080C16MP11	24.5	XAHD42E	1350	40.5	29.4	16.00	13.50
YCG42B21S	TM8Y080C16MP11	24.5	XAHD48F	1375	41.5	29.0	16.00	13.50
YCG42B21S	TM8Y080C16MP11	21.0	XAHD60G	1375	40.5	30.0	16.00	13.00
YCG42B21S	TM8Y100C16MP11	21.0	CF/CM/CU42C	1375	41.5	32.4	16.25	13.25
YCG42B21S	TM8Y100C16MP11	21.0	CF/CM/CU42D	1400	41.5	32.8	16.25	13.50
YCG42B21S	TM8Y100C16MP11	21.0	CF/CM/CU48C	1375	42.0	32.8	16.50	13.50
YCG42B21S	TM8Y100C16MP11	21.0	CF/CM/CU48D	1400	42.0	33.0	16.50	13.50
YCG42B21S	TM8Y100C16MP11	21.0	CF/CM/CU60C	1375	42.0	33.0	16.50	13.75
YCG42B21S	TM8Y100C16MP11	21.0	CF/CM/CU60D	1400	42.0	33.4	16.75	14.00
YCG42B21S	TM8Y100C16MP11	21.0	CF/CM64D	1375	42.0	33.0	17.00	13.75
YCG42B21S	TM8Y100C16MP11	21.0	XAF/XAUC42E	1350	40.5	29.4	16.00	13.50
YCG42B21S	TM8Y100C16MP11	21.0	XAF/XAUC48F	1375	41.5	29.0	16.00	13.50
YCG42B21S	TM8Y100C16MP11	21.0	XAF/XAUC60G	1375	40.5	30.0	16.00	13.00
YCG42B21S	TM8Y100C16MP11	24.5	XAF/XAUD60G	1400	40.5	30.0	16.00	13.00
YCG42B21S	TM8Y100C16MP11	24.5	XAFD42E	1375	40.5	29.8	16.25	13.50
YCG42B21S	TM8Y100C16MP11	24.5	XAFD48F	1375	41.5	29.0	16.00	13.50
YCG42B21S	TM8Y100C16MP11	21.0	XAHC42E	1325	40.5	29.2	16.00	13.50
YCG42B21S	TM8Y100C16MP11	21.0	XAHC48F	1375	41.5	29.0	16.00	13.50
YCG42B21S	TM8Y100C16MP11	21.0	XAHC60G	1200	42.0	28.4	16.75	14.00
YCG42B21S	TM8Y100C16MP11	24.5	XAHD42E	1350	40.5	29.4	16.00	13.50
YCG42B21S	TM8Y100C16MP11	24.5	XAHD48F	1375	41.5	29.0	16.00	13.50
YCG42B21S	TM8Y100C16MP11	21.0	XAHD60G	1375	40.5	30.0	16.00	13.00
YCG42B21S	TM8Y100C20MP11	21.0	CF/CM/CU42C	1400	41.5	32.8	16.50	13.50
YCG42B21S	TM8Y100C20MP11	21.0	CF/CM/CU42D	1250	41.0	30.8	16.50	13.50
YCG42B21S	TM8Y100C20MP11	21.0	CF/CM/CU48C	1400	42.0	33.0	17.00	14.00
YCG42B21S	TM8Y100C20MP11	21.0	CF/CM/CU48D	1425	42.0	33.6	17.00	14.00
YCG42B21S	TM8Y100C20MP11	21.0	CF/CM/CU60C	1400	42.0	33.4	17.00	14.00
YCG42B21S	TM8Y100C20MP11	21.0	CF/CM/CU60D	1425	42.0	33.6	17.00	14.00
YCG42B21S	TM8Y100C20MP11	21.0	CF/CM64D	1400	42.0	33.0	17.00	14.25
YCG42B21S	TM8Y100C20MP11	21.0	XAF/XAUC42E	1350	41.0	29.6	16.25	13.50
YCG42B21S	TM8Y100C20MP11	21.0	XAF/XAUC48F	1200	41.5	27.6	16.50	13.75
YCG42B21S	TM8Y100C20MP11	21.0	XAF/XAUC60G	1225	41.5	28.4	16.75	14.00
YCG42B21S	TM8Y100C20MP11	24.5	XAF/XAUD60G	1225	41.5	28.4	16.75	14.00
YCG42B21S	TM8Y100C20MP11	24.5	XAFD42E	1375	41.0	29.8	16.50	13.75
YCG42B21S	TM8Y100C20MP11	24.5	XAFD48F	1200	41.0	27.6	16.50	13.75
YCG42B21S	TM8Y100C20MP11	21.0	XAHC42E	1325	41.0	29.2	16.25	13.50
YCG42B21S	TM8Y100C20MP11	21.0	XAHC48F	1200	41.0	27.6	16.75	14.00
YCG42B21S	TM8Y100C20MP11	21.0	XAHC60G	1225	41.5	28.4	16.75	14.00
YCG42B21S	TM8Y100C20MP11	24.5	XAHD42E	1325	41.0	29.2	16.25	13.50
YCG42B21S	TM8Y100C20MP11	24.5	XAHD48F	1200	41.0	27.6	16.50	13.75
YCG42B21S	TM8Y100C20MP11	21.0	XAHD60G	1200	41.5	28.4	17.00	14.00
YCG42B21S	TM8Y120C20MP11	21.0	CF/CM/CU42C	1400	41.5	32.8	16.50	13.50
YCG42B21S	TM8Y120C20MP11	21.0	CF/CM/CU42D	1250	41.0	30.8	16.50	13.50
YCG42B21S	TM8Y120C20MP11	21.0	CF/CM/CU48C	1400	42.0	33.0	17.00	14.00

COOLING CAPACITY - With High Efficiency Motor Furnaces¹ (Continued)

UNIT MODEL	FURNACE		COIL MODEL ²	COOLING				
	MODEL	WIDTH		RATED CFM	NET MBH		SEER	EER
					TOTAL	SENS.		
YCG42B21S	TM8Y120C20MP11	21.0	CF/CM/CU48D	1425	42.0	33.6	17.00	14.00
YCG42B21S	TM8Y120C20MP11	21.0	CF/CM/CU60C	1400	42.0	33.4	17.00	14.00
YCG42B21S	TM8Y120C20MP11	21.0	CF/CM/CU60D	1425	42.0	33.6	17.00	14.00
YCG42B21S	TM8Y120C20MP11	21.0	CF/CM64D	1400	42.0	33.0	17.00	14.25
YCG42B21S	TM8Y120C20MP11	21.0	XAF/XAUC42E	1350	41.0	29.6	16.25	13.50
YCG42B21S	TM8Y120C20MP11	21.0	XAF/XAUC48F	1200	41.5	27.6	16.50	13.75
YCG42B21S	TM8Y120C20MP11	21.0	XAF/XAUC60G	1225	41.5	28.4	16.75	14.00
YCG42B21S	TM8Y120C20MP11	24.5	XAF/XAUD60G	1225	41.5	28.4	16.75	14.00
YCG42B21S	TM8Y120C20MP11	24.5	XAFD42E	1375	41.0	29.8	16.50	13.75
YCG42B21S	TM8Y120C20MP11	24.5	XAFD48F	1200	41.0	27.6	16.50	13.75
YCG42B21S	TM8Y120C20MP11	21.0	XAHC42E	1325	41.0	29.2	16.25	13.50
YCG42B21S	TM8Y120C20MP11	21.0	XAHC48F	1200	41.0	27.6	16.75	14.00
YCG42B21S	TM8Y120C20MP11	21.0	XAHC60G	1225	41.5	28.4	16.75	14.00
YCG42B21S	TM8Y120C20MP11	24.5	XAHD42E	1325	41.0	29.2	16.25	13.50
YCG42B21S	TM8Y120C20MP11	24.5	XAHD48F	1200	41.0	27.6	16.50	13.75
YCG42B21S	TM8Y120C20MP11	21.0	XAHD60G	1200	41.5	28.4	17.00	14.00
YCG42B21S	TM9E060B12MP11	17.5	CF/CM/CU42C	1125	40.5	29.6	15.50	12.75
YCG42B21S	TM9E060B12MP11	17.5	CF/CM/CU48C	1150	41.0	29.8	15.75	13.00
YCG42B21S	TM9E060B12MP11	17.5	CF/CM/CU60C	1125	40.5	29.2	15.25	12.50
YCG42B21S	TM9E060B12MP12	17.5	CF/CM/CU42C	1100	40.0	29.0	15.50	12.75
YCG42B21S	TM9E060B12MP12	17.5	CF/CM/CU48C	1100	40.5	29.0	15.75	13.00
YCG42B21S	TM9E060B12MP12	17.5	CF/CM/CU60C	1100	40.0	28.6	15.25	12.50
YCG42B21S	TM9E060B12MP12	21.0	XAF/XAUC60G	1225	40.0	28.6	15.25	12.50
YCG42B21S	TM9E060B12MP12	21.0	XAHC60G	1225	40.0	28.6	15.25	12.50
YCG42B21S	TM9E080B12MP12	17.5	CF/CM/CU42C	1250	40.5	30.4	15.50	12.75
YCG42B21S	TM9E080B12MP12	17.5	CF/CM/CU48C	1250	41.0	30.8	15.50	12.75
YCG42B21S	TM9E080B12MP12	17.5	CF/CM/CU60C	1250	41.0	30.8	15.50	12.75
YCG42B21S	TM9E080B12MP12	21.0	XAF/XAUC42E	1225	40.5	28.4	15.50	12.75
YCG42B21S	TM9E080B12MP12	21.0	XAF/XAUC48F	1225	40.5	27.6	15.50	12.75
YCG42B21S	TM9E080B12MP12	21.0	XAF/XAUC60G	1250	41.0	28.6	15.50	12.75
YCG42B21S	TM9E080B12MP12	21.0	XAHC42E	1200	40.5	27.8	15.50	12.75
YCG42B21S	TM9E080B12MP12	21.0	XAHC60G	1250	41.0	28.6	15.50	12.75
YCG42B21S	TM9E080C16MP11	21.0	CF/CM/CU42C	1125	41.0	29.8	16.25	13.25
YCG42B21S	TM9E080C16MP11	21.0	CF/CM/CU48C	1150	41.0	29.6	16.25	13.50
YCG42B21S	TM9E080C16MP11	21.0	CF/CM/CU48D	1150	41.5	30.0	16.50	13.75
YCG42B21S	TM9E080C16MP11	21.0	CF/CM/CU60C	1125	40.5	29.2	16.25	13.50
YCG42B21S	TM9E080C16MP11	21.0	CF/CM/CU60D	1150	41.5	30.4	16.50	13.50
YCG42B21S	TM9E080C16MP11	21.0	CF/CM42D	1150	41.0	29.8	16.25	13.25
YCG42B21S	TM9E080C16MP11	21.0	CF/CM64D	1150	42.0	30.6	17.00	14.00
YCG42B21S	TM9E080C16MP12	21.0	CF/CM/CU42C	1275	41.0	31.2	16.00	13.50
YCG42B21S	TM9E080C16MP12	21.0	CF/CM/CU48C	1100	41.0	29.2	16.50	13.75
YCG42B21S	TM9E080C16MP12	21.0	CF/CM/CU48D	1100	41.0	29.2	16.50	13.75
YCG42B21S	TM9E080C16MP12	21.0	CF/CM/CU60C	1275	41.5	31.4	16.00	13.50
YCG42B21S	TM9E080C16MP12	21.0	CF/CM/CU60D	1100	40.5	29.2	16.00	13.50
YCG42B21S	TM9E080C16MP12	21.0	CF/CM42D	1100	40.0	29.0	16.25	13.50
YCG42B21S	TM9E080C16MP12	21.0	CF/CM64D	1100	41.5	29.8	16.75	14.00
YCG42B21S	TM9E080C16MP12	21.0	XAF/XAUC42E	1225	40.5	28.2	16.00	13.50
YCG42B21S	TM9E080C16MP12	21.0	XAF/XAUC48F	1250	41.0	28.0	16.00	13.50
YCG42B21S	TM9E080C16MP12	21.0	XAF/XAUC60G	1250	41.5	28.4	16.00	13.50
YCG42B21S	TM9E080C16MP12	24.5	XAF/XAUD60G	1250	40.5	28.4	16.00	13.50
YCG42B21S	TM9E080C16MP12	24.5	XAFD42E	1250	40.0	28.4	16.00	13.50
YCG42B21S	TM9E080C16MP12	24.5	XAFD48F	1250	41.0	28.0	16.00	13.50
YCG42B21S	TM9E080C16MP12	21.0	XAHC42E	1200	40.0	28.0	16.00	13.50
YCG42B21S	TM9E080C16MP12	21.0	XAHC48F	1250	41.0	28.0	16.00	13.50
YCG42B21S	TM9E080C16MP12	21.0	XAHC60G	1275	41.5	29.0	16.00	13.50
YCG42B21S	TM9E080C16MP12	24.5	XAHD42E	1225	40.0	28.2	16.00	13.50
YCG42B21S	TM9E080C16MP12	24.5	XAHD48F	1250	41.0	28.0	16.00	13.50
YCG42B21S	TM9E080C16MP12	21.0	XAHD60G	1250	40.5	28.6	16.00	13.50
YCG42B21S	TM9E080C20MP12	21.0	CF/CM/CU42C	1225	41.0	30.8	16.50	13.75
YCG42B21S	TM9E080C20MP12	21.0	CF/CM/CU48C	1225	41.5	31.0	16.75	14.00
YCG42B21S	TM9E080C20MP12	21.0	CF/CM/CU48D	1250	41.5	31.0	16.75	14.00
YCG42B21S	TM9E080C20MP12	21.0	CF/CM/CU60C	1225	41.5	30.8	16.50	13.75
YCG42B21S	TM9E080C20MP12	21.0	CF/CM/CU60D	1250	41.5	31.2	16.50	13.75
YCG42B21S	TM9E080C20MP12	21.0	CF/CM42D	1250	41.0	30.8	16.75	14.00

COOLING CAPACITY - With High Efficiency Motor Furnaces¹ (Continued)

UNIT MODEL	FURNACE		COIL MODEL ²	COOLING				
	MODEL	WIDTH		RATED CFM	NET MBH		SEER	EER
					TOTAL	SENS.		
YCG42B21S	TM9E080C20MP12	21.0	CF/CM64D	1250	42.0	31.6	17.25	14.00
YCG42B21S	TM9E080C20MP12	21.0	XAF/XAUC42E	1375	41.0	29.8	16.25	13.50
YCG42B21S	TM9E080C20MP12	21.0	XAF/XAUC48F	1200	41.5	27.6	16.50	13.75
YCG42B21S	TM9E080C20MP12	21.0	XAF/XAUC60G	1225	41.5	28.6	16.50	13.75
YCG42B21S	TM9E080C20MP12	24.5	XAF/XAUD60G	1225	41.5	28.6	16.50	13.75
YCG42B21S	TM9E080C20MP12	24.5	XAFD42E	1200	41.0	27.8	16.50	13.75
YCG42B21S	TM9E080C20MP12	24.5	XAFD48F	1225	41.0	27.6	16.50	13.75
YCG42B21S	TM9E080C20MP12	21.0	XAHC42E	1350	41.0	29.4	16.25	13.50
YCG42B21S	TM9E080C20MP12	21.0	XAHC48F	1225	41.5	27.6	16.75	14.00
YCG42B21S	TM9E080C20MP12	21.0	XAHC60G	1250	41.5	28.6	16.50	13.75
YCG42B21S	TM9E080C20MP12	24.5	XAHD42E	1375	41.0	29.8	16.25	13.50
YCG42B21S	TM9E080C20MP12	24.5	XAHD48F	1200	41.0	27.6	16.50	13.75
YCG42B21S	TM9E080C20MP12	21.0	XAHD60G	1200	41.5	28.0	16.50	13.75
YCG42B21S	TM9E100C16MP11	21.0	CF/CM/CU42C	1275	40.5	30.8	16.25	13.25
YCG42B21S	TM9E100C16MP11	21.0	CF/CM/CU42D	1300	40.5	31.0	16.20	13.25
YCG42B21S	TM9E100C16MP11	21.0	CF/CM/CU48C	1275	41.0	31.0	16.25	13.50
YCG42B21S	TM9E100C16MP11	21.0	CF/CM/CU48D	1300	41.5	31.8	16.50	13.75
YCG42B21S	TM9E100C16MP11	21.0	CF/CM/CU60C	1275	41.0	31.4	16.50	13.50
YCG42B21S	TM9E100C16MP11	21.0	CF/CM/CU60D	1300	41.5	32.0	16.50	13.50
YCG42B21S	TM9E100C16MP11	21.0	CF/CM64D	1275	42.0	32.0	16.75	14.00
YCG42B21S	TM9E100C16MP12	21.0	CF/CM/CU42C	1275	41.0	31.2	16.00	13.50
YCG42B21S	TM9E100C16MP12	21.0	CF/CM/CU48C	1275	41.5	31.4	16.25	13.50
YCG42B21S	TM9E100C16MP12	21.0	CF/CM/CU48D	1300	41.5	31.8	16.25	13.50
YCG42B21S	TM9E100C16MP12	21.0	CF/CM/CU60C	1275	41.5	31.4	16.00	13.50
YCG42B21S	TM9E100C16MP12	21.0	CF/CM/CU60D	1300	41.5	31.6	16.00	13.50
YCG42B21S	TM9E100C16MP12	21.0	CF/CM42D	1300	41.0	31.4	16.25	13.50
YCG42B21S	TM9E100C16MP12	21.0	CF/CM64D	1275	42.0	32.0	16.50	13.75
YCG42B21S	TM9E100C16MP12	21.0	XAF/XAUC42E	1250	41.0	28.4	16.00	13.50
YCG42B21S	TM9E100C16MP12	21.0	XAF/XAUC48F	1250	41.5	28.0	16.00	13.50
YCG42B21S	TM9E100C16MP12	21.0	XAF/XAUC60G	1275	41.5	29.0	16.00	13.50
YCG42B21S	TM9E100C16MP12	24.5	XAF/XAUD60G	1275	41.5	29.0	16.00	13.50
YCG42B21S	TM9E100C16MP12	24.5	XAFD42E	1250	41.0	28.4	16.00	13.50
YCG42B21S	TM9E100C16MP12	24.5	XAFD48F	1250	41.0	28.0	16.00	13.50
YCG42B21S	TM9E100C16MP12	21.0	XAHC42E	1225	41.0	28.2	16.00	13.50
YCG42B21S	TM9E100C16MP12	21.0	XAHC48F	1250	41.5	28.0	16.00	13.50
YCG42B21S	TM9E100C16MP12	21.0	XAHC60G	1275	41.5	29.0	16.00	13.50
YCG42B21S	TM9E100C16MP12	24.5	XAHD42E	1225	41.0	28.2	16.00	13.25
YCG42B21S	TM9E100C16MP12	24.5	XAHD48F	1250	41.0	28.0	16.00	13.50
YCG42B21S	TM9E100C16MP12	21.0	XAHD60G	1250	41.5	28.4	16.00	13.50
YCG42B21S	TM9E100C20MP11	21.0	CF/CM/CU42C	1350	41.0	31.8	16.25	13.50
YCG42B21S	TM9E100C20MP11	21.0	CF/CM/CU42D	1375	41.5	32.4	16.50	13.50
YCG42B21S	TM9E100C20MP11	21.0	CF/CM/CU48C	1350	41.5	32.2	16.50	13.75
YCG42B21S	TM9E100C20MP11	21.0	CF/CM/CU48D	1375	42.0	32.8	16.50	13.75
YCG42B21S	TM9E100C20MP11	21.0	CF/CM/CU60C	1350	42.0	32.8	16.50	13.75
YCG42B21S	TM9E100C20MP11	21.0	CF/CM/CU60D	1375	42.0	33.0	16.75	14.00
YCG42B21S	TM9E100C20MP11	21.0	CF/CM64D	1375	42.0	33.0	17.00	14.00
YCG42B21S	TM9E100C20MP12	21.0	CF/CM/CU42C	1225	41.0	30.8	16.50	13.75
YCG42B21S	TM9E100C20MP12	21.0	CF/CM/CU48C	1225	41.5	31.0	17.00	14.00
YCG42B21S	TM9E100C20MP12	21.0	CF/CM/CU48D	1225	41.5	31.0	16.75	14.00
YCG42B21S	TM9E100C20MP12	21.0	CF/CM/CU60C	1225	41.5	30.8	16.50	13.75
YCG42B21S	TM9E100C20MP12	21.0	CF/CM/CU60D	1250	41.5	31.2	16.50	13.75
YCG42B21S	TM9E100C20MP12	21.0	CF/CM42D	1225	41.0	30.8	16.50	13.75
YCG42B21S	TM9E100C20MP12	21.0	CF/CM64D	1225	42.0	31.2	17.00	14.00
YCG42B21S	TM9E100C20MP12	21.0	XAF/XAUC42E	1375	41.0	29.8	16.25	13.50
YCG42B21S	TM9E100C20MP12	21.0	XAF/XAUC48F	1400	41.5	29.2	16.25	13.50
YCG42B21S	TM9E100C20MP12	21.0	XAF/XAUC60G	1200	41.5	28.4	16.50	13.75
YCG42B21S	TM9E100C20MP12	24.5	XAF/XAUD60G	1200	41.5	28.4	16.50	13.75
YCG42B21S	TM9E100C20MP12	24.5	XAFD42E	1400	41.0	30.0	16.25	13.50
YCG42B21S	TM9E100C20MP12	24.5	XAFD48F	1200	41.0	27.6	16.50	13.75
YCG42B21S	TM9E100C20MP12	21.0	XAHC42E	1350	41.0	29.4	16.25	13.50
YCG42B21S	TM9E100C20MP12	21.0	XAHC48F	1200	41.5	27.6	16.75	14.00
YCG42B21S	TM9E100C20MP12	21.0	XAHC60G	1225	41.5	28.4	16.50	13.75
YCG42B21S	TM9E100C20MP12	24.5	XAHD42E	1375	41.0	29.8	16.25	13.50
YCG42B21S	TM9E100C20MP12	24.5	XAHD48F	1200	41.0	27.6	16.50	13.75

COOLING CAPACITY - With High Efficiency Motor Furnaces¹ (Continued)

UNIT MODEL	FURNACE		COIL MODEL ²	COOLING				
	MODEL	WIDTH		RATED CFM	NET MBH		SEER	EER
					TOTAL	SENS.		
YCG42B21S	TM9E100C20MP12	21.0	XAHD60G	1400	41.5	30.0	16.50	13.75
YCG42B21S	TM9E120D20MP11	24.5	CF/CM/CU42D	1250	41.0	30.8	16.50	13.50
YCG42B21S	TM9E120D20MP11	24.5	CF/CM/CU48D	1425	42.0	33.6	17.00	14.00
YCG42B21S	TM9E120D20MP11	24.5	CF/CM/CU60D	1425	42.0	33.6	17.00	14.00
YCG42B21S	TM9E120D20MP11	24.5	CF/CM64D	1250	42.0	31.6	17.00	14.25
YCG42B21S	TM9E120D20MP12	24.5	CF/CM/CU48D	1250	41.5	31.2	16.75	14.00
YCG42B21S	TM9E120D20MP12	24.5	CF/CM/CU60D	1250	41.5	31.2	16.50	13.75
YCG42B21S	TM9E120D20MP12	24.5	CF/CM42D	1250	41.0	30.8	16.50	13.75
YCG42B21S	TM9E120D20MP12	24.5	CF/CM64D	1250	42.0	31.6	17.25	14.00
YCG42B21S	TM9E120D20MP12	24.5	XAF/XAUD60G	1225	41.5	28.6	16.50	13.75
YCG42B21S	TM9E120D20MP12	24.5	XAFD42E	1200	41.0	27.8	16.50	13.75
YCG42B21S	TM9E120D20MP12	24.5	XAFD48F	1225	41.5	27.8	16.50	13.75
YCG42B21S	TM9E120D20MP12	24.5	XAHD42E	1400	41.0	30.0	16.00	13.50
YCG42B21S	TM9E120D20MP12	24.5	XAHD48F	1200	41.5	27.6	16.50	13.75
YCG42B21S	TM9E120D20MP12	21.0	XAHD60G	1200	41.5	28.0	16.50	13.75
YCG42B21S	TM9V060B12MP12C	21.0	XAHC60G	1225	40.0	28.2	15.25	12.50
YCG42B21S	TM9V080B12MP12C	17.5	CF42B	1100	39.0	28.2	15.25	12.50
YCG42B21S	TM9V080B12MP12C	21.0	XAF/XAUC42E	1250	40.5	28.6	15.50	12.75
YCG42B21S	TM9V080B12MP12C	21.0	XAF/XAUC48F	1250	40.5	27.8	15.50	12.75
YCG42B21S	TM9V080B12MP12C	21.0	XAF/XAUC60G	1250	41.0	28.6	16.00	13.00
YCG42B21S	TM9V080B12MP12C	21.0	XAHC60G	1250	41.0	28.6	16.00	13.00
YCG42B21S	TM9V080C16MP11C	21.0	CF/CM/CU42C	1225	41.0	30.6	16.20	13.25
YCG42B21S	TM9V080C16MP11C	21.0	CF/CM/CU48C	1225	41.5	30.8	16.50	13.50
YCG42B21S	TM9V080C16MP11C	21.0	CF/CM/CU48D	1225	41.5	30.8	16.50	13.75
YCG42B21S	TM9V080C16MP11C	21.0	CF/CM/CU60C	1225	41.0	30.4	16.00	13.50
YCG42B21S	TM9V080C16MP11C	21.0	CF/CM/CU60D	1225	41.0	30.4	16.25	13.50
YCG42B21S	TM9V080C16MP11C	21.0	CF/CM42D	1225	41.0	30.6	16.20	13.25
YCG42B21S	TM9V080C16MP11C	21.0	CF/CM64D	1225	42.0	31.2	16.50	13.75
YCG42B21S	TM9V080C16MP12C	21.0	CF/CM/CU42C	1225	41.0	30.6	16.20	13.25
YCG42B21S	TM9V080C16MP12C	21.0	CF/CM/CU48C	1225	41.5	30.8	16.50	13.50
YCG42B21S	TM9V080C16MP12C	21.0	CF/CM/CU48D	1225	41.5	30.8	16.50	13.75
YCG42B21S	TM9V080C16MP12C	21.0	CF/CM/CU60C	1225	41.0	30.4	16.00	13.50
YCG42B21S	TM9V080C16MP12C	21.0	CF/CM/CU60D	1225	41.0	30.4	16.25	13.50
YCG42B21S	TM9V080C16MP12C	21.0	CF/CM42D	1225	41.0	30.6	16.20	13.25
YCG42B21S	TM9V080C16MP12C	21.0	CF/CM64D	1225	42.0	31.2	16.50	13.75
YCG42B21S	TM9V080C16MP12C	21.0	XAF/XAUC42E	1225	41.0	28.2	16.00	13.50
YCG42B21S	TM9V080C16MP12C	21.0	XAF/XAUC48F	1225	41.0	27.6	16.00	13.50
YCG42B21S	TM9V080C16MP12C	21.0	XAF/XAUC60G	1225	41.0	28.4	16.00	13.50
YCG42B21S	TM9V080C16MP12C	24.5	XAF/XAUD60G	1225	41.0	28.4	16.25	13.50
YCG42B21S	TM9V080C16MP12C	24.5	XAFD42E	1225	41.0	28.2	16.00	13.25
YCG42B21S	TM9V080C16MP12C	24.5	XAFD48F	1225	40.5	27.6	16.00	13.50
YCG42B21S	TM9V080C16MP12C	21.0	XAHC42E	1225	41.0	28.4	15.75	13.00
YCG42B21S	TM9V080C16MP12C	21.0	XAHC48F	1225	41.0	27.6	16.00	13.50
YCG42B21S	TM9V080C16MP12C	21.0	XAHC60G	1225	41.0	28.4	16.00	13.50
YCG42B21S	TM9V080C16MP12C	24.5	XAHD42E	1225	41.0	28.2	15.75	13.00
YCG42B21S	TM9V080C16MP12C	24.5	XAHD48F	1225	40.5	27.6	16.00	13.50
YCG42B21S	TM9V080C16MP12C	21.0	XAHD60G	1225	41.0	28.4	16.25	13.50
YCG42B21S	TM9V100C16MP12C	21.0	CF/CM/CU42C	1325	41.0	31.4	16.20	13.25
YCG42B21S	TM9V100C16MP12C	21.0	CF/CM/CU42D	1300	41.0	31.4	16.25	14.00
YCG42B21S	TM9V100C16MP12C	21.0	CF/CM/CU48C	1275	41.5	31.4	16.50	13.50
YCG42B21S	TM9V100C16MP12C	21.0	CF/CM/CU48D	1300	41.5	31.8	16.75	13.75
YCG42B21S	TM9V100C16MP12C	21.0	CF/CM/CU60C	1325	42.0	32.4	16.50	13.75
YCG42B21S	TM9V100C16MP12C	21.0	CF/CM/CU60D	1300	41.5	32.0	16.50	13.50
YCG42B21S	TM9V100C16MP12C	21.0	CF/CM64D	1275	42.0	32.0	16.50	13.75
YCG42B21S	TM9V100C16MP12C	21.0	XAF/XAUC42E	1225	41.0	28.2	16.20	13.50
YCG42B21S	TM9V100C16MP12C	21.0	XAF/XAUC48F	1225	41.5	27.8	16.25	13.50
YCG42B21S	TM9V100C16MP12C	21.0	XAF/XAUC60G	1225	42.0	28.6	16.50	13.75
YCG42B21S	TM9V100C16MP12C	24.5	XAF/XAUD60G	1225	41.5	28.6	16.50	13.50
YCG42B21S	TM9V100C16MP12C	24.5	XAFD42E	1225	41.0	28.2	16.25	13.50
YCG42B21S	TM9V100C16MP12C	24.5	XAFD48F	1225	41.0	27.8	16.25	13.50
YCG42B21S	TM9V100C16MP12C	21.0	XAHC42E	1200	41.0	28.0	16.00	13.50
YCG42B21S	TM9V100C16MP12C	21.0	XAHC48F	1225	41.5	27.8	16.25	13.50
YCG42B21S	TM9V100C16MP12C	21.0	XAHC60G	1225	42.0	28.6	16.50	13.75
YCG42B21S	TM9V100C16MP12C	24.5	XAHD42E	1225	41.0	28.2	16.00	13.50

COOLING CAPACITY - With High Efficiency Motor Furnaces¹ (Continued)

UNIT MODEL	FURNACE		COIL MODEL ²	COOLING				
	MODEL	WIDTH		RATED CFM	NET MBH		SEER	EER
					TOTAL	SENS.		
YCG42B21S	TM9V100C16MP12C	24.5	XAHD48F	1225	41.0	27.8	16.25	13.50
YCG42B21S	TM9V100C16MP12C	21.0	XAHD60G	1225	41.5	28.2	16.50	13.50
YCG42B21S	TM9V100C20MP12C	21.0	CF/CM/CU42C	1350	41.0	31.8	16.00	13.00
YCG42B21S	TM9V100C20MP12C	21.0	CF/CM/CU42D	1350	41.5	32.4	16.25	14.00
YCG42B21S	TM9V100C20MP12C	21.0	CF/CM/CU48C	1350	42.0	32.6	16.50	13.50
YCG42B21S	TM9V100C20MP12C	21.0	CF/CM/CU48D	1350	42.0	32.6	16.50	13.75
YCG42B21S	TM9V100C20MP12C	21.0	CF/CM/CU60C	1225	41.0	31.0	16.50	13.50
YCG42B21S	TM9V100C20MP12C	21.0	CF/CM/CU60D	1350	42.0	32.8	16.50	13.75
YCG42B21S	TM9V100C20MP12C	21.0	CF/CM64D	1350	42.0	32.6	17.00	14.00
YCG42B21S	TM9V100C20MP12C	21.0	XAF/XAUC42E	1225	41.0	28.2	16.00	13.50
YCG42B21S	TM9V100C20MP12C	21.0	XAF/XAUC48F	1225	41.5	27.8	16.25	13.50
YCG42B21S	TM9V100C20MP12C	21.0	XAF/XAUC60G	1225	41.0	28.6	16.50	13.50
YCG42B21S	TM9V100C20MP12C	24.5	XAF/XAUD60G	1225	41.5	28.6	16.50	13.75
YCG42B21S	TM9V100C20MP12C	24.5	XAFD42E	1225	41.0	28.2	16.25	13.50
YCG42B21S	TM9V100C20MP12C	24.5	XAFD48F	1225	41.0	27.8	16.25	13.50
YCG42B21S	TM9V100C20MP12C	21.0	XAHC42E	1225	41.0	28.2	16.00	13.25
YCG42B21S	TM9V100C20MP12C	21.0	XAHC48F	1225	41.5	27.8	16.25	13.50
YCG42B21S	TM9V100C20MP12C	21.0	XAHC60G	1225	41.0	28.6	16.50	13.50
YCG42B21S	TM9V100C20MP12C	24.5	XAHD42E	1225	41.0	28.2	16.25	13.50
YCG42B21S	TM9V100C20MP12C	24.5	XAHD48F	1225	41.0	27.8	16.25	13.50
YCG42B21S	TM9V100C20MP12C	21.0	XAHD60G	1225	42.0	28.2	16.50	13.75
YCG42B21S	TM9V120D20MP12C	24.5	CF/CM/CU42D	1400	41.5	32.6	16.25	13.25
YCG42B21S	TM9V120D20MP12C	24.5	CF/CM/CU48D	1400	42.0	33.0	16.50	13.75
YCG42B21S	TM9V120D20MP12C	24.5	CF/CM/CU60D	1400	42.0	33.4	17.00	14.00
YCG42B21S	TM9V120D20MP12C	24.5	CF/CM64D	1400	42.0	33.0	17.00	14.00
YCG42B21S	TM9V120D20MP12C	24.5	XAF/XAUD60G	1200	42.0	28.4	17.00	14.00
YCG42B21S	TM9V120D20MP12C	24.5	XAFD42E	1200	41.5	27.8	16.25	13.50
YCG42B21S	TM9V120D20MP12C	24.5	XAFD48F	1200	41.5	27.6	16.50	13.75
YCG42B21S	TM9V120D20MP12C	24.5	XAHD42E	1200	41.5	28.0	16.25	13.50
YCG42B21S	TM9V120D20MP12C	24.5	XAHD48F	1200	41.5	27.6	16.50	13.75
YCG42B21S	TM9V120D20MP12C	21.0	XAHD60G	1200	42.0	28.0	17.00	14.00
YCG42B21S	TM9Y060B12MP11	17.5	CF/CM/CU42C	1125	40.5	29.6	15.50	12.75
YCG42B21S	TM9Y060B12MP11	17.5	CF/CM/CU48C	1150	41.0	29.8	15.75	13.00
YCG42B21S	TM9Y060B12MP11	17.5	CF/CM/CU60C	1125	40.5	29.2	15.25	12.50
YCG42B21S	TM9Y080B12MP11	21.0	XAHC60G	1325	41.0	29.2	15.50	12.50
YCG42B21S	TM9Y080C16MP11	21.0	CF/CM/CU42C	1125	41.0	29.8	16.25	13.25
YCG42B21S	TM9Y080C16MP11	21.0	CF/CM/CU48C	1150	41.0	29.6	16.25	13.50
YCG42B21S	TM9Y080C16MP11	21.0	CF/CM/CU48D	1150	41.5	30.0	16.50	13.75
YCG42B21S	TM9Y080C16MP11	21.0	CF/CM/CU60C	1125	40.5	29.2	16.25	13.50
YCG42B21S	TM9Y080C16MP11	21.0	CF/CM/CU60D	1150	41.5	30.4	16.50	13.50
YCG42B21S	TM9Y080C16MP11	21.0	CF/CM42D	1150	41.0	29.8	16.25	13.25
YCG42B21S	TM9Y080C16MP11	21.0	CF/CM64D	1150	42.0	30.6	17.00	14.00
YCG42B21S	TM9Y080C16MP11	21.0	XAF/XAUC42E	1225	40.0	28.2	16.00	13.25
YCG42B21S	TM9Y080C16MP11	21.0	XAF/XAUC48F	1250	41.0	28.0	15.75	13.00
YCG42B21S	TM9Y080C16MP11	21.0	XAF/XAUC60G	1250	41.0	28.6	16.00	13.50
YCG42B21S	TM9Y080C16MP11	24.5	XAF/XAUD60G	1250	40.5	28.6	16.00	13.50
YCG42B21S	TM9Y080C16MP11	24.5	XAFD42E	1225	40.0	28.2	16.00	13.25
YCG42B21S	TM9Y080C16MP11	24.5	XAFD48F	1250	40.5	28.0	16.00	13.50
YCG42B21S	TM9Y080C16MP11	21.0	XAHC42E	1200	40.0	28.0	16.00	13.25
YCG42B21S	TM9Y080C16MP11	21.0	XAHC48F	1250	41.0	28.0	16.00	13.50
YCG42B21S	TM9Y080C16MP11	21.0	XAHC60G	1275	41.0	29.0	16.25	13.50
YCG42B21S	TM9Y080C16MP11	24.5	XAHD42E	1225	40.0	28.2	16.00	13.25
YCG42B21S	TM9Y080C16MP11	24.5	XAHD48F	1250	41.0	28.0	16.00	13.50
YCG42B21S	TM9Y080C16MP11	21.0	XAHD60G	1250	41.0	28.6	16.25	13.50
YCG42B21S	TM9Y100C16MP11	21.0	CF/CM/CU42C	1275	40.5	30.8	16.25	13.25
YCG42B21S	TM9Y100C16MP11	21.0	CF/CM/CU42D	1300	40.5	31.0	16.20	13.25
YCG42B21S	TM9Y100C16MP11	21.0	CF/CM/CU48C	1275	41.0	31.0	16.25	13.50
YCG42B21S	TM9Y100C16MP11	21.0	CF/CM/CU48D	1300	41.5	31.8	16.50	13.75
YCG42B21S	TM9Y100C16MP11	21.0	CF/CM/CU60C	1275	41.0	31.4	16.50	13.50
YCG42B21S	TM9Y100C16MP11	21.0	CF/CM/CU60D	1300	41.5	32.0	16.50	13.50
YCG42B21S	TM9Y100C16MP11	21.0	CF/CM64D	1275	42.0	32.0	16.75	14.00
YCG42B21S	TM9Y100C16MP11	21.0	XAF/XAUC42E	1225	40.5	28.2	16.00	13.50
YCG42B21S	TM9Y100C16MP11	21.0	XAF/XAUC48F	1250	41.5	28.0	16.00	13.50
YCG42B21S	TM9Y100C16MP11	21.0	XAF/XAUC60G	1250	40.5	28.4	16.25	13.50

COOLING CAPACITY - With High Efficiency Motor Furnaces¹ (Continued)

UNIT MODEL	FURNACE		COIL MODEL ²	COOLING				
	MODEL	WIDTH		RATED CFM	NET MBH		SEER	EER
					TOTAL	SENS.		
YCG42B21S	TM9Y100C16MP11	24.5	XAF/XAUD60G	1275	40.5	29.0	16.25	13.50
YCG42B21S	TM9Y100C16MP11	24.5	XAFD42E	1250	40.5	28.4	16.00	13.50
YCG42B21S	TM9Y100C16MP11	24.5	XAFD48F	1250	41.0	28.0	16.00	13.50
YCG42B21S	TM9Y100C16MP11	21.0	XAHC42E	1200	40.5	28.0	16.00	13.50
YCG42B21S	TM9Y100C16MP11	21.0	XAHC48F	1250	41.0	28.0	16.00	13.50
YCG42B21S	TM9Y100C16MP11	21.0	XAHC60G	1275	40.5	29.0	16.25	13.50
YCG42B21S	TM9Y100C16MP11	24.5	XAHD42E	1225	40.5	28.2	16.00	13.50
YCG42B21S	TM9Y100C16MP11	24.5	XAHD48F	1250	41.0	28.0	16.00	13.50
YCG42B21S	TM9Y100C16MP11	21.0	XAHD60G	1250	40.5	28.4	16.25	13.50
YCG42B21S	TM9Y100C20MP11	21.0	CF/CM/CU42C	1350	41.0	31.8	16.25	13.50
YCG42B21S	TM9Y100C20MP11	21.0	CF/CM/CU42D	1375	41.5	32.4	16.50	13.50
YCG42B21S	TM9Y100C20MP11	21.0	CF/CM/CU48C	1350	41.5	32.2	16.50	13.75
YCG42B21S	TM9Y100C20MP11	21.0	CF/CM/CU48D	1375	42.0	32.8	16.50	13.75
YCG42B21S	TM9Y100C20MP11	21.0	CF/CM/CU60C	1350	42.0	32.8	16.50	13.75
YCG42B21S	TM9Y100C20MP11	21.0	CF/CM/CU60D	1375	42.0	33.0	16.75	14.00
YCG42B21S	TM9Y100C20MP11	21.0	CF/CM64D	1375	42.0	33.0	17.00	14.00
YCG42B21S	TM9Y100C20MP11	21.0	XAF/XAUC42E	1300	41.0	29.0	16.00	13.50
YCG42B21S	TM9Y100C20MP11	21.0	XAF/XAUC48F	1325	41.0	28.4	16.00	13.50
YCG42B21S	TM9Y100C20MP11	21.0	XAF/XAUC60G	1350	41.0	29.4	16.00	13.00
YCG42B21S	TM9Y100C20MP11	24.5	XAF/XAUD60G	1350	41.0	29.4	16.00	13.00
YCG42B21S	TM9Y100C20MP11	24.5	XAFD42E	1325	41.0	29.2	16.00	13.50
YCG42B21S	TM9Y100C20MP11	24.5	XAFD48F	1350	41.0	29.0	16.00	13.50
YCG42B21S	TM9Y100C20MP11	21.0	XAHC42E	1275	41.0	28.6	16.00	13.00
YCG42B21S	TM9Y100C20MP11	21.0	XAHC48F	1325	41.0	28.4	16.00	13.50
YCG42B21S	TM9Y100C20MP11	21.0	XAHC60G	1200	41.0	28.0	16.50	13.75
YCG42B21S	TM9Y100C20MP11	24.5	XAHD42E	1300	41.0	29.0	16.00	13.50
YCG42B21S	TM9Y100C20MP11	24.5	XAHD48F	1325	41.0	28.4	16.00	13.50
YCG42B21S	TM9Y100C20MP11	21.0	XAHD60G	1325	41.0	29.4	16.00	13.00
YCG42B21S	TM9Y120D20MP11	24.5	CF/CM/CU42D	1250	41.0	30.8	16.50	13.50
YCG42B21S	TM9Y120D20MP11	24.5	CF/CM/CU48D	1425	42.0	33.6	17.00	14.00
YCG42B21S	TM9Y120D20MP11	24.5	CF/CM/CU60D	1425	42.0	33.6	17.00	14.00
YCG42B21S	TM9Y120D20MP11	24.5	CF/CM64D	1250	42.0	31.6	17.00	14.25
YCG42B21S	TM9Y120D20MP11	24.5	XAF/XAUD60G	1225	41.5	28.6	17.00	14.00
YCG42B21S	TM9Y120D20MP11	24.5	XAFD42E	1200	41.0	27.8	16.50	13.75
YCG42B21S	TM9Y120D20MP11	24.5	XAFD48F	1225	41.5	27.6	16.50	13.75
YCG42B21S	TM9Y120D20MP11	24.5	XAHD42E	1350	41.0	29.4	16.25	13.50
YCG42B21S	TM9Y120D20MP11	24.5	XAHD48F	1225	41.5	27.6	16.50	13.75
YCG42B21S	TM9Y120D20MP11	21.0	XAHD60G	1200	41.5	28.0	17.00	14.00
YCG42B21S	TMLE080B12MP11	21.0	XAF/XAUC42E	1225	40.5	28.4	15.50	12.75
YCG42B21S	TMLE080B12MP11	21.0	XAF/XAUC48F	1225	40.5	27.6	15.75	13.00
YCG42B21S	TMLE080B12MP11	21.0	XAF/XAUC60G	1250	41.0	28.6	15.50	12.75
YCG42B21S	TMLE080B12MP11	21.0	XAHC42E	1200	40.5	27.8	15.50	12.75
YCG42B21S	TMLE080B12MP11	21.0	XAHC60G	1250	41.0	28.6	15.50	12.75
YCG42B21S	TMLE080C16MP11	21.0	XAF/XAUC42E	1250	40.0	28.6	16.25	13.50
YCG42B21S	TMLE080C16MP11	21.0	XAF/XAUC48F	1250	41.0	28.0	16.25	13.50
YCG42B21S	TMLE080C16MP11	21.0	XAF/XAUC60G	1275	40.5	29.0	16.50	13.75
YCG42B21S	TMLE080C16MP11	24.5	XAF/XAUD60G	1275	41.0	29.0	16.50	13.75
YCG42B21S	TMLE080C16MP11	24.5	XAFD42E	1250	40.5	28.6	16.25	13.50
YCG42B21S	TMLE080C16MP11	24.5	XAFD48F	1275	41.0	28.0	16.25	13.50
YCG42B21S	TMLE080C16MP11	21.0	XAHC42E	1225	40.0	28.2	16.00	13.50
YCG42B21S	TMLE080C16MP11	21.0	XAHC48F	1275	41.0	28.0	16.25	13.50
YCG42B21S	TMLE080C16MP11	21.0	XAHC60G	1300	40.5	29.0	16.50	13.75
YCG42B21S	TMLE080C16MP11	24.5	XAHD42E	1225	40.5	28.2	16.00	13.50
YCG42B21S	TMLE080C16MP11	24.5	XAHD48F	1250	41.0	28.0	16.25	13.50
YCG42B21S	TMLE080C16MP11	21.0	XAHD60G	1250	41.0	28.8	16.50	13.75
YCG42B21S	TMLE080C20MP11	21.0	XAF/XAUC42E	1200	41.0	27.8	16.50	13.75
YCG42B21S	TMLE080C20MP11	21.0	XAF/XAUC48F	1225	41.5	27.6	16.50	13.75
YCG42B21S	TMLE080C20MP11	21.0	XAF/XAUC60G	1250	41.5	28.6	16.50	13.75
YCG42B21S	TMLE080C20MP11	24.5	XAF/XAUD60G	1250	41.5	28.6	16.50	13.75
YCG42B21S	TMLE080C20MP11	24.5	XAFD42E	1225	41.0	28.4	16.50	13.75
YCG42B21S	TMLE080C20MP11	24.5	XAFD48F	1225	41.0	27.6	16.50	13.75
YCG42B21S	TMLE080C20MP11	21.0	XAHC42E	1400	41.0	30.0	16.25	13.50
YCG42B21S	TMLE080C20MP11	21.0	XAHC48F	1225	41.5	27.6	16.75	14.00
YCG42B21S	TMLE080C20MP11	21.0	XAHC60G	1250	41.5	28.6	16.50	13.75

COOLING CAPACITY - With High Efficiency Motor Furnaces¹ (Continued)

UNIT MODEL	FURNACE		COIL MODEL ²	COOLING				
	MODEL	WIDTH		RATED CFM	NET MBH		SEER	EER
					TOTAL	SENS.		
YCG42B21S	TMLE080C20MP11	24.5	XAHD42E	1200	41.0	27.8	16.50	13.75
YCG42B21S	TMLE080C20MP11	24.5	XAHD48F	1225	41.0	27.6	16.50	13.75
YCG42B21S	TMLE080C20MP11	21.0	XAHD60G	1225	41.5	28.6	16.50	13.75
YCG42B21S	TMLE100B12MP11	21.0	XAF/XAUC42E	1225	40.0	28.2	16.00	13.50
YCG42B21S	TMLE100B12MP11	21.0	XAF/XAUC48F	1225	40.5	27.6	15.75	13.00
YCG42B21S	TMLE100B12MP11	21.0	XAF/XAUC60G	1250	40.5	28.6	15.75	13.00
YCG42B21S	TMLE100B12MP11	21.0	XAHC42E	1200	40.0	28.2	15.75	13.00
YCG42B21S	TMLE100B12MP11	21.0	XAHC60G	1250	40.5	28.6	15.75	13.00
YCG42B21S	TMLE100C16MP11	21.0	XAF/XAUC42E	1275	40.5	28.8	16.25	13.50
YCG42B21S	TMLE100C16MP11	21.0	XAF/XAUC48F	1275	41.5	28.2	16.25	13.50
YCG42B21S	TMLE100C16MP11	21.0	XAF/XAUC60G	1300	40.5	29.0	16.50	13.75
YCG42B21S	TMLE100C16MP11	24.5	XAF/XAUD60G	1300	40.5	29.0	16.25	13.50
YCG42B21S	TMLE100C16MP11	24.5	XAFD42E	1275	40.5	28.8	16.25	13.50
YCG42B21S	TMLE100C16MP11	24.5	XAFD48F	1300	41.5	28.6	16.25	13.50
YCG42B21S	TMLE100C16MP11	21.0	XAHC42E	1250	40.5	28.4	16.00	13.50
YCG42B21S	TMLE100C16MP11	21.0	XAHC48F	1300	41.5	28.6	16.25	13.50
YCG42B21S	TMLE100C16MP11	21.0	XAHC60G	1325	40.5	29.2	16.50	13.75
YCG42B21S	TMLE100C16MP11	24.5	XAHD42E	1250	40.5	28.4	16.25	13.50
YCG42B21S	TMLE100C16MP11	24.5	XAHD48F	1275	41.0	28.2	16.25	13.50
YCG42B21S	TMLE100C16MP11	21.0	XAHD60G	1275	40.5	29.0	16.25	13.50
YCG42B21S	TMLE100C20MP11	24.0	XAF/XAUC42E	1200	40.5	27.8	16.50	13.75
YCG42B21S	TMLE100C20MP11	21.0	XAF/XAUC48F	1225	41.5	27.8	16.50	13.75
YCG42B21S	TMLE100C20MP11	21.0	XAF/XAUC60G	1250	41.5	28.6	16.50	13.75
YCG42B21S	TMLE100C20MP11	24.5	XAF/XAUD60G	1250	41.5	28.6	16.50	13.75
YCG42B21S	TMLE100C20MP11	24.5	XAFD42E	1225	41.0	28.4	16.50	13.75
YCG42B21S	TMLE100C20MP11	24.5	XAFD48F	1225	41.0	27.6	16.50	13.75
YCG42B21S	TMLE100C20MP11	21.0	XAHC42E	1375	41.0	29.8	16.00	13.50
YCG42B21S	TMLE100C20MP11	21.0	XAHC48F	1225	41.5	27.6	16.50	13.75
YCG42B21S	TMLE100C20MP11	21.0	XAHC60G	1250	41.5	28.6	16.50	13.75
YCG42B21S	TMLE100C20MP11	24.5	XAHD42E	1200	40.5	27.8	16.50	13.75
YCG42B21S	TMLE100C20MP11	24.5	XAHD48F	1225	41.0	27.6	16.50	13.75
YCG42B21S	TMLE100C20MP11	21.0	XAHD60G	1225	41.5	28.6	16.50	13.75
YCG42B21S	TMLE120C16MP11	21.0	XAF/XAUC42E	1275	40.5	28.8	16.25	13.50
YCG42B21S	TMLE120C16MP11	21.0	XAF/XAUC48F	1275	41.5	28.2	16.25	13.50
YCG42B21S	TMLE120C16MP11	21.0	XAF/XAUC60G	1300	40.5	29.0	16.50	13.75
YCG42B21S	TMLE120C16MP11	24.5	XAF/XAUD60G	1300	41.0	29.0	16.25	13.50
YCG42B21S	TMLE120C16MP11	24.5	XAFD42E	1275	40.5	28.8	16.25	13.50
YCG42B21S	TMLE120C16MP11	24.5	XAFD48F	1300	41.5	28.6	16.25	13.50
YCG42B21S	TMLE120C16MP11	21.0	XAHC42E	1250	40.5	28.4	16.25	13.50
YCG42B21S	TMLE120C16MP11	21.0	XAHC48F	1300	41.5	28.6	16.25	13.50
YCG42B21S	TMLE120C16MP11	21.0	XAHC60G	1325	40.5	29.2	16.50	13.75
YCG42B21S	TMLE120C16MP11	24.5	XAHD42E	1250	40.5	28.6	16.25	13.50
YCG42B21S	TMLE120C16MP11	24.5	XAHD48F	1300	41.5	28.6	16.25	13.50
YCG42B21S	TMLE120C16MP11	21.0	XAHD60G	1300	41.0	29.0	16.25	13.50
YCG42B21S	TMLE120C20MP11	21.0	XAF/XAUC42E	1250	41.0	28.6	16.50	13.75
YCG42B21S	TMLE120C20MP11	21.0	XAF/XAUC48F	1250	41.5	27.8	16.50	13.75
YCG42B21S	TMLE120C20MP11	21.0	XAF/XAUC60G	1275	41.5	28.8	16.50	13.75
YCG42B21S	TMLE120C20MP11	24.5	XAF/XAUD60G	1275	41.5	28.8	16.50	13.75
YCG42B21S	TMLE120C20MP11	24.5	XAFD42E	1250	41.5	28.6	16.50	13.75
YCG42B21S	TMLE120C20MP11	24.5	XAFD48F	1275	41.5	28.4	16.50	13.75
YCG42B21S	TMLE120C20MP11	21.0	XAHC42E	1225	41.0	28.0	16.50	13.75
YCG42B21S	TMLE120C20MP11	21.0	XAHC48F	1275	41.5	28.4	16.50	13.75
YCG42B21S	TMLE120C20MP11	21.0	XAHC60G	1300	41.5	29.0	16.50	13.75
YCG42B21S	TMLE120C20MP11	24.5	XAHD42E	1225	41.5	28.4	16.50	13.75
YCG42B21S	TMLE120C20MP11	24.5	XAHD48F	1275	41.5	28.4	16.50	13.75
YCG42B21S	TMLE120C20MP11	21.0	XAHD60G	1275	41.5	28.8	16.50	13.75
YCG42B21S	TMLE130D20MP11	24.5	XAF/XAUD60G	1275	41.5	28.8	16.75	14.00
YCG42B21S	TMLE130D20MP11	24.5	XAFD42E	1250	41.5	28.6	16.50	13.75
YCG42B21S	TMLE130D20MP11	24.5	XAFD48F	1275	41.5	28.4	16.75	14.00
YCG42B21S	TMLE130D20MP11	24.5	XAHD42E	1225	41.0	28.4	16.25	13.50
YCG42B21S	TMLE130D20MP11	24.5	XAHD48F	1250	41.5	27.8	16.50	13.75
YCG42B21S	TMLE130D20MP11	21.0	XAHD60G	1250	41.5	28.6	16.75	14.00
YCG42B21S	TMLV080C16MP12C	21.0	CF/CM/CU42C	1375	41.5	32.4	16.00	13.00
YCG42B21S	TMLV080C16MP12C	21.0	CF/CM/CU42D	1375	42.0	32.8	16.25	14.00

COOLING CAPACITY - With High Efficiency Motor Furnaces¹ (Continued)

UNIT MODEL	FURNACE		COIL MODEL ²	COOLING				
	MODEL	WIDTH		RATED CFM	NET MBH		SEER	EER
					TOTAL	SENS.		
YCG42B21S	TMLV080C16MP12C	21.0	CF/CM/CU48C	1375	42.0	32.8	16.25	13.50
YCG42B21S	TMLV080C16MP12C	21.0	CF/CM/CU48D	1375	42.0	32.8	16.50	13.75
YCG42B21S	TMLV080C16MP12C	21.0	CF/CM/CU60C	1375	42.0	33.0	16.50	13.75
YCG42B21S	TMLV080C16MP12C	21.0	CF/CM/CU60D	1375	42.0	33.0	16.50	13.75
YCG42B21S	TMLV080C16MP12C	21.0	CF/CM64D	1375	42.0	33.0	16.50	13.75
YCG42B21S	TMLV100C16MP12C	21.0	CF/CM/CU42C	1375	41.5	32.4	16.00	13.00
YCG42B21S	TMLV100C16MP12C	21.0	CF/CM/CU42D	1375	42.0	32.8	16.25	14.00
YCG42B21S	TMLV100C16MP12C	21.0	CF/CM/CU48C	1375	42.0	32.8	16.25	13.50
YCG42B21S	TMLV100C16MP12C	21.0	CF/CM/CU48D	1375	42.0	32.8	16.50	13.75
YCG42B21S	TMLV100C16MP12C	21.0	CF/CM/CU60C	1375	42.0	33.0	16.50	13.75
YCG42B21S	TMLV100C16MP12C	21.0	CF/CM/CU60D	1375	42.0	33.0	16.50	13.75
YCG42B21S	TMLV100C16MP12C	21.0	CF/CM64D	1375	42.0	33.0	16.50	13.75
YCG42B21S	TMLV100C16MP12C	21.0	XAF/XAUC42E	1200	41.5	28.0	16.00	13.50
YCG42B21S	TMLV100C16MP12C	21.0	XAF/XAUC48F	1200	41.0	27.4	16.25	13.50
YCG42B21S	TMLV100C16MP12C	21.0	XAF/XAUC60G	1200	42.0	28.2	16.50	13.75
YCG42B21S	TMLV100C16MP12C	24.5	XAF/XAUD60G	1200	41.5	28.2	16.50	13.75
YCG42B21S	TMLV100C16MP12C	24.5	XAFD42E	1200	41.0	28.0	16.25	13.50
YCG42B21S	TMLV100C16MP12C	24.5	XAFD48F	1200	40.5	27.4	16.25	13.50
YCG42B21S	TMLV100C16MP12C	21.0	XAHC42E	1200	41.5	28.0	16.00	13.25
YCG42B21S	TMLV100C16MP12C	21.0	XAHC48F	1200	41.5	27.6	16.25	13.50
YCG42B21S	TMLV100C16MP12C	21.0	XAHC60G	1200	42.0	28.0	16.50	13.75
YCG42B21S	TMLV100C16MP12C	24.5	XAHD42E	1200	41.0	28.0	16.00	13.50
YCG42B21S	TMLV100C16MP12C	24.5	XAHD48F	1200	40.5	27.4	16.25	13.50
YCG42B21S	TMLV100C16MP12C	21.0	XAHD60G	1200	42.0	28.2	16.50	13.75
YCG42B21S	TMLV100C20MP12C	21.0	CF/CM/CU42C	1375	41.5	32.4	16.25	13.25
YCG42B21S	TMLV100C20MP12C	21.0	CF/CM/CU42D	1375	42.0	32.8	16.75	14.25
YCG42B21S	TMLV100C20MP12C	21.0	CF/CM/CU48C	1375	42.0	32.8	16.50	13.75
YCG42B21S	TMLV100C20MP12C	21.0	CF/CM/CU48D	1375	42.0	32.8	16.50	13.75
YCG42B21S	TMLV100C20MP12C	21.0	CF/CM/CU60C	1375	42.0	33.0	16.50	13.75
YCG42B21S	TMLV100C20MP12C	21.0	CF/CM/CU60D	1375	42.0	33.0	16.75	13.75
YCG42B21S	TMLV100C20MP12C	21.0	CF/CM64D	1375	42.0	33.0	16.75	14.00
YCG42B21S	TMLV120C20MP12C	21.0	CF/CM/CU42C	1375	41.5	32.4	16.25	13.25
YCG42B21S	TMLV120C20MP12C	21.0	CF/CM/CU42D	1375	42.0	32.8	16.75	14.25
YCG42B21S	TMLV120C20MP12C	21.0	CF/CM/CU48C	1375	42.0	32.8	16.50	13.75
YCG42B21S	TMLV120C20MP12C	21.0	CF/CM/CU48D	1375	42.0	32.8	16.50	13.75
YCG42B21S	TMLV120C20MP12C	21.0	CF/CM/CU60C	1375	42.0	33.0	16.50	13.75
YCG42B21S	TMLV120C20MP12C	21.0	CF/CM/CU60D	1375	42.0	33.0	16.75	13.75
YCG42B21S	TMLV120C20MP12C	21.0	CF/CM64D	1375	42.0	33.0	16.75	14.00
YCG42B21S	TMLV120C20MP12C	21.0	XAF/XAUC42E	1225	41.5	28.4	16.25	13.50
YCG42B21S	TMLV120C20MP12C	21.0	XAF/XAUC48F	1225	41.5	27.8	16.50	13.75
YCG42B21S	TMLV120C20MP12C	21.0	XAF/XAUC60G	1225	42.0	28.6	16.50	13.75
YCG42B21S	TMLV120C20MP12C	24.5	XAF/XAUD60G	1225	41.5	28.6	16.75	13.75
YCG42B21S	TMLV120C20MP12C	24.5	XAFD42E	1225	41.5	28.4	16.50	13.75
YCG42B21S	TMLV120C20MP12C	24.5	XAFD48F	1325	41.5	28.6	16.50	13.75
YCG42B21S	TMLV120C20MP12C	21.0	XAHC42E	1225	41.5	28.2	16.25	13.50
YCG42B21S	TMLV120C20MP12C	21.0	XAHC48F	1225	41.5	27.8	16.50	13.75
YCG42B21S	TMLV120C20MP12C	21.0	XAHC60G	1225	42.0	28.4	16.50	13.75
YCG42B21S	TMLV120C20MP12C	24.5	XAHD42E	1225	41.0	28.0	16.50	13.75
YCG42B21S	TMLV120C20MP12C	24.5	XAHD48F	1225	41.0	27.8	16.50	13.75
YCG42B21S	TMLV120C20MP12C	21.0	XAHD60G	1225	42.0	28.6	16.75	13.75
YCG42B21S	TMLX080B12MP11	17.5	CF42B	1150	39.5	28.6	15.50	13.00
YCG42B21S	TMLX080C16MP11	21.0	CF/CM/CU42C	1375	41.5	32.4	16.25	13.25
YCG42B21S	TMLX080C16MP11	21.0	CF/CM/CU42D	1400	41.5	32.8	16.25	13.50
YCG42B21S	TMLX080C16MP11	21.0	CF/CM/CU48C	1375	42.0	32.8	16.50	13.50
YCG42B21S	TMLX080C16MP11	21.0	CF/CM/CU48D	1400	42.0	33.0	16.50	13.50
YCG42B21S	TMLX080C16MP11	21.0	CF/CM/CU60C	1375	42.0	33.0	16.50	13.75
YCG42B21S	TMLX080C16MP11	21.0	CF/CM/CU60D	1400	42.0	33.4	16.75	14.00
YCG42B21S	TMLX080C16MP11	21.0	CF/CM64D	1375	42.0	33.0	17.00	13.75
YCG42B21S	TMLX100C16MP11	21.0	CF/CM/CU42C	1375	41.5	32.4	16.25	13.25
YCG42B21S	TMLX100C16MP11	21.0	CF/CM/CU42D	1400	41.5	32.8	16.25	13.50
YCG42B21S	TMLX100C16MP11	21.0	CF/CM/CU48C	1375	42.0	32.8	16.50	13.50
YCG42B21S	TMLX100C16MP11	21.0	CF/CM/CU48D	1400	42.0	33.0	16.50	13.50
YCG42B21S	TMLX100C16MP11	21.0	CF/CM/CU60C	1375	42.0	33.0	16.50	13.75
YCG42B21S	TMLX100C16MP11	21.0	CF/CM/CU60D	1400	42.0	33.4	16.75	14.00

COOLING CAPACITY - With High Efficiency Motor Furnaces¹ (Continued)

UNIT MODEL	FURNACE		COIL MODEL ²	COOLING				
	MODEL	WIDTH		RATED CFM	NET MBH		SEER	EER
					TOTAL	SENS.		
YCG42B21S	TMLX100C16MP11	21.0	CF/CM64D	1375	42.0	33.0	17.00	13.75
YCG42B21S	TMLX100C20MP11	21.0	CF/CM/CU42C	1400	41.5	32.8	16.50	13.50
YCG42B21S	TMLX100C20MP11	21.0	CF/CM/CU42D	1250	41.0	30.8	16.50	13.50
YCG42B21S	TMLX100C20MP11	21.0	CF/CM/CU48C	1400	42.0	33.0	17.00	14.00
YCG42B21S	TMLX100C20MP11	21.0	CF/CM/CU48D	1425	42.0	33.6	17.00	14.00
YCG42B21S	TMLX100C20MP11	21.0	CF/CM/CU60C	1400	42.0	33.4	17.00	14.00
YCG42B21S	TMLX100C20MP11	21.0	CF/CM/CU60D	1425	42.0	33.6	17.00	14.00
YCG42B21S	TMLX100C20MP11	21.0	CF/CM64D	1400	42.0	33.0	17.00	14.25
YCG42B21S	TMLX120C20MP11	21.0	CF/CM/CU42C	1400	41.5	32.8	16.50	13.50
YCG42B21S	TMLX120C20MP11	21.0	CF/CM/CU42D	1250	41.0	30.8	16.50	13.50
YCG42B21S	TMLX120C20MP11	21.0	CF/CM/CU48C	1400	42.0	33.0	17.00	14.00
YCG42B21S	TMLX120C20MP11	21.0	CF/CM/CU48D	1425	42.0	33.6	17.00	14.00
YCG42B21S	TMLX120C20MP11	21.0	CF/CM/CU60C	1400	42.0	33.4	17.00	14.00
YCG42B21S	TMLX120C20MP11	21.0	CF/CM/CU60D	1425	42.0	33.6	17.00	14.00
YCG42B21S	TMLX120C20MP11	21.0	CF/CM64D	1400	42.0	33.0	17.00	14.25
YCG42B21S	TP9C060B12MP13C	21.0	XAHC60G	1225	40.0	28.2	15.25	12.50
YCG42B21S	TP9C080B12MP13C	17.5	CF42B	1100	39.0	28.2	15.25	12.50
YCG42B21S	TP9C080B12MP13C	21.0	XAF/XAUC42E	1250	40.5	28.6	15.50	12.75
YCG42B21S	TP9C080B12MP13C	21.0	XAF/XAUC48F	1250	40.5	27.8	15.50	12.75
YCG42B21S	TP9C080B12MP13C	21.0	XAF/XAUC60G	1250	41.0	28.6	16.00	13.00
YCG42B21S	TP9C080B12MP13C	21.0	XAHC60G	1250	41.0	28.6	16.00	13.00
YCG42B21S	TP9C080C16MP13C	21.0	CF/CM/CU42C	1225	41.0	30.6	16.20	13.25
YCG42B21S	TP9C080C16MP13C	21.0	CF/CM/CU48C	1225	41.5	30.8	16.50	13.50
YCG42B21S	TP9C080C16MP13C	21.0	CF/CM/CU48D	1225	41.5	30.8	16.50	13.75
YCG42B21S	TP9C080C16MP13C	21.0	CF/CM/CU60C	1225	41.0	30.4	16.00	13.50
YCG42B21S	TP9C080C16MP13C	21.0	CF/CM/CU60D	1225	41.0	30.4	16.25	13.50
YCG42B21S	TP9C080C16MP13C	21.0	CF/CM42D	1225	41.0	30.6	16.20	13.25
YCG42B21S	TP9C080C16MP13C	21.0	CF/CM64D	1225	42.0	31.2	16.50	13.75
YCG42B21S	TP9C080C16MP13C	21.0	XAF/XAUC42E	1225	41.0	28.2	16.00	13.50
YCG42B21S	TP9C080C16MP13C	21.0	XAF/XAUC48F	1225	41.0	27.6	16.00	13.50
YCG42B21S	TP9C080C16MP13C	21.0	XAF/XAUC60G	1225	41.0	28.4	16.00	13.50
YCG42B21S	TP9C080C16MP13C	24.5	XAF/XAUD60G	1225	41.0	28.4	16.25	13.50
YCG42B21S	TP9C080C16MP13C	24.5	XAFD42E	1225	41.0	28.2	16.00	13.25
YCG42B21S	TP9C080C16MP13C	24.5	XAFD48F	1225	40.5	27.6	16.00	13.50
YCG42B21S	TP9C080C16MP13C	21.0	XAHC42E	1225	41.0	28.4	15.75	13.00
YCG42B21S	TP9C080C16MP13C	21.0	XAHC48F	1225	41.0	27.6	16.00	13.50
YCG42B21S	TP9C080C16MP13C	21.0	XAHC60G	1225	41.0	28.4	16.00	13.50
YCG42B21S	TP9C080C16MP13C	24.5	XAHD42E	1225	41.0	28.2	15.75	13.00
YCG42B21S	TP9C080C16MP13C	24.5	XAHD48F	1225	40.5	27.6	16.00	13.50
YCG42B21S	TP9C080C16MP13C	21.0	XAHD60G	1225	41.0	28.4	16.25	13.50
YCG42B21S	TP9C100C16MP13C	21.0	CF/CM/CU42C	1325	41.0	31.4	16.20	13.25
YCG42B21S	TP9C100C16MP13C	21.0	CF/CM/CU42D	1300	41.0	31.4	16.25	14.00
YCG42B21S	TP9C100C16MP13C	21.0	CF/CM/CU48C	1275	41.5	31.4	16.50	13.50
YCG42B21S	TP9C100C16MP13C	21.0	CF/CM/CU48D	1300	41.5	31.8	16.75	13.75
YCG42B21S	TP9C100C16MP13C	21.0	CF/CM/CU60C	1325	42.0	32.4	16.50	13.75
YCG42B21S	TP9C100C16MP13C	21.0	CF/CM/CU60D	1300	41.5	32.0	16.50	13.50
YCG42B21S	TP9C100C16MP13C	21.0	CF/CM64D	1275	42.0	32.0	16.50	13.75
YCG42B21S	TP9C100C16MP13C	21.0	XAF/XAUC42E	1225	41.0	28.2	16.20	13.50
YCG42B21S	TP9C100C16MP13C	21.0	XAF/XAUC48F	1225	41.5	27.8	16.25	13.50
YCG42B21S	TP9C100C16MP13C	21.0	XAF/XAUC60G	1225	42.0	28.6	16.50	13.75
YCG42B21S	TP9C100C16MP13C	24.5	XAF/XAUD60G	1225	41.5	28.6	16.50	13.50
YCG42B21S	TP9C100C16MP13C	24.5	XAFD42E	1225	41.0	28.2	16.25	13.50
YCG42B21S	TP9C100C16MP13C	24.5	XAFD48F	1225	41.0	27.8	16.25	13.50
YCG42B21S	TP9C100C16MP13C	21.0	XAHC42E	1200	41.0	28.0	16.00	13.50
YCG42B21S	TP9C100C16MP13C	21.0	XAHC48F	1225	41.5	27.8	16.25	13.50
YCG42B21S	TP9C100C16MP13C	21.0	XAHC60G	1225	42.0	28.6	16.50	13.75
YCG42B21S	TP9C100C16MP13C	24.5	XAHD42E	1225	41.0	28.2	16.00	13.50
YCG42B21S	TP9C100C16MP13C	24.5	XAHD48F	1225	41.0	27.8	16.25	13.50
YCG42B21S	TP9C100C16MP13C	21.0	XAHD60G	1225	41.5	28.2	16.50	13.50
YCG42B21S	TP9C100C20MP13C	21.0	CF/CM/CU42C	1350	41.0	31.8	16.00	13.00
YCG42B21S	TP9C100C20MP13C	21.0	CF/CM/CU42D	1350	41.5	32.4	16.25	14.00
YCG42B21S	TP9C100C20MP13C	21.0	CF/CM/CU48C	1350	42.0	32.6	16.50	13.50
YCG42B21S	TP9C100C20MP13C	21.0	CF/CM/CU48D	1350	42.0	32.6	16.50	13.75
YCG42B21S	TP9C100C20MP13C	21.0	CF/CM/CU60C	1225	41.0	31.0	16.50	13.50

COOLING CAPACITY - With High Efficiency Motor Furnaces¹ (Continued)

UNIT MODEL	FURNACE		COIL MODEL ²	COOLING				
	MODEL	WIDTH		RATED CFM	NET MBH		SEER	EER
					TOTAL	SENS.		
YCG42B21S	TP9C100C20MP13C	21.0	CF/CM/CU60D	1350	42.0	32.8	16.50	13.75
YCG42B21S	TP9C100C20MP13C	21.0	CF/CM64D	1350	42.0	32.6	17.00	14.00
YCG42B21S	TP9C100C20MP13C	21.0	XAF/XAUC42E	1225	41.0	28.2	16.00	13.50
YCG42B21S	TP9C100C20MP13C	21.0	XAF/XAUC48F	1225	41.5	27.8	16.25	13.50
YCG42B21S	TP9C100C20MP13C	21.0	XAF/XAUC60G	1225	41.0	28.6	16.50	13.50
YCG42B21S	TP9C100C20MP13C	24.5	XAF/XAUD60G	1225	41.5	28.6	16.50	13.75
YCG42B21S	TP9C100C20MP13C	24.5	XAFD42E	1225	41.0	28.2	16.25	13.50
YCG42B21S	TP9C100C20MP13C	24.5	XAFD48F	1225	41.0	27.8	16.25	13.50
YCG42B21S	TP9C100C20MP13C	21.0	XAHC42E	1225	41.0	28.2	16.00	13.25
YCG42B21S	TP9C100C20MP13C	21.0	XAHC48F	1225	41.5	27.8	16.25	13.50
YCG42B21S	TP9C100C20MP13C	21.0	XAHC60G	1225	41.0	28.6	16.50	13.50
YCG42B21S	TP9C100C20MP13C	24.5	XAHD42E	1225	41.0	28.2	16.25	13.50
YCG42B21S	TP9C100C20MP13C	24.5	XAHD48F	1225	41.0	27.8	16.25	13.50
YCG42B21S	TP9C100C20MP13C	21.0	XAHD60G	1225	42.0	28.2	16.50	13.75
YCG42B21S	TP9C120D20MP13C	24.5	CF/CM/CU42D	1400	41.5	32.6	16.25	13.25
YCG42B21S	TP9C120D20MP13C	24.5	CF/CM/CU48D	1400	42.0	33.0	16.50	13.75
YCG42B21S	TP9C120D20MP13C	24.5	CF/CM/CU60D	1400	42.0	33.4	17.00	14.00
YCG42B21S	TP9C120D20MP13C	24.5	CF/CM64D	1400	42.0	33.0	17.00	14.00
YCG42B21S	TP9C120D20MP13C	24.5	XAF/XAUD60G	1200	42.0	28.4	17.00	14.00
YCG42B21S	TP9C120D20MP13C	24.5	XAFD42E	1200	41.5	27.8	16.25	13.50
YCG42B21S	TP9C120D20MP13C	24.5	XAFD48F	1200	41.5	27.6	16.50	13.75
YCG42B21S	TP9C120D20MP13C	24.5	XAHD42E	1200	41.5	28.0	16.25	13.50
YCG42B21S	TP9C120D20MP13C	24.5	XAHD48F	1200	41.5	27.6	16.50	13.75
YCG42B21S	TP9C120D20MP13C	21.0	XAHD60G	1200	42.0	28.0	17.00	14.00
YCG42B21S	TPLC080C16MP13C	21.0	CF/CM/CU42C	1375	41.5	32.4	16.00	13.00
YCG42B21S	TPLC080C16MP13C	21.0	CF/CM/CU42D	1375	42.0	32.8	16.25	14.00
YCG42B21S	TPLC080C16MP13C	21.0	CF/CM/CU48C	1375	42.0	32.8	16.25	13.50
YCG42B21S	TPLC080C16MP13C	21.0	CF/CM/CU48D	1375	42.0	32.8	16.50	13.75
YCG42B21S	TPLC080C16MP13C	21.0	CF/CM/CU60C	1375	42.0	33.0	16.50	13.75
YCG42B21S	TPLC080C16MP13C	21.0	CF/CM/CU60D	1375	42.0	33.0	16.50	13.75
YCG42B21S	TPLC080C16MP13C	21.0	CF/CM64D	1375	42.0	33.0	16.50	13.75
YCG42B21S	TPLC080C16MP13C	21.0	XAF/XAUC42E	1200	41.5	28.0	16.00	13.50
YCG42B21S	TPLC080C16MP13C	21.0	XAF/XAUC48F	1200	41.0	27.4	16.25	13.50
YCG42B21S	TPLC080C16MP13C	21.0	XAF/XAUC60G	1200	42.0	28.2	16.50	13.75
YCG42B21S	TPLC080C16MP13C	24.5	XAF/XAUD60G	1200	41.5	28.2	16.50	13.75
YCG42B21S	TPLC080C16MP13C	24.5	XAFD42E	1200	41.0	28.0	16.25	13.50
YCG42B21S	TPLC080C16MP13C	24.5	XAFD48F	1200	40.5	27.4	16.25	13.50
YCG42B21S	TPLC080C16MP13C	21.0	XAHC42E	1200	41.5	28.0	16.00	13.25
YCG42B21S	TPLC080C16MP13C	21.0	XAHC48F	1200	41.5	27.6	16.25	13.50
YCG42B21S	TPLC080C16MP13C	21.0	XAHC60G	1200	42.0	28.0	16.50	13.75
YCG42B21S	TPLC080C16MP13C	24.5	XAHD42E	1200	41.0	28.0	16.00	13.50
YCG42B21S	TPLC080C16MP13C	24.5	XAHD48F	1200	40.5	27.4	16.25	13.50
YCG42B21S	TPLC080C16MP13C	21.0	XAHD60G	1200	42.0	28.2	16.50	13.75
YCG42B21S	TPLC100C16MP13C	21.0	CF/CM/CU42C	1375	41.5	32.4	16.00	13.00
YCG42B21S	TPLC100C16MP13C	21.0	CF/CM/CU42D	1375	42.0	32.8	16.25	14.00
YCG42B21S	TPLC100C16MP13C	21.0	CF/CM/CU48C	1375	42.0	32.8	16.25	13.50
YCG42B21S	TPLC100C16MP13C	21.0	CF/CM/CU48D	1375	42.0	32.8	16.50	13.75
YCG42B21S	TPLC100C16MP13C	21.0	CF/CM/CU60C	1375	42.0	33.0	16.50	13.75
YCG42B21S	TPLC100C16MP13C	21.0	CF/CM/CU60D	1375	42.0	33.0	16.50	13.75
YCG42B21S	TPLC100C16MP13C	21.0	CF/CM64D	1375	42.0	33.0	16.50	13.75
YCG42B21S	TPLC100C16MP13C	21.0	XAF/XAUC42E	1200	41.5	28.0	16.00	13.50
YCG42B21S	TPLC100C16MP13C	21.0	XAF/XAUC48F	1200	41.0	27.4	16.25	13.50
YCG42B21S	TPLC100C16MP13C	21.0	XAF/XAUC60G	1200	42.0	28.2	16.50	13.75
YCG42B21S	TPLC100C16MP13C	24.5	XAF/XAUD60G	1200	41.5	28.2	16.50	13.75
YCG42B21S	TPLC100C16MP13C	24.5	XAFD42E	1200	41.0	28.0	16.25	13.50
YCG42B21S	TPLC100C16MP13C	24.5	XAFD48F	1200	40.5	27.4	16.25	13.50
YCG42B21S	TPLC100C16MP13C	21.0	XAHC42E	1200	41.5	28.0	16.00	13.25
YCG42B21S	TPLC100C16MP13C	21.0	XAHC48F	1200	41.5	27.6	16.25	13.50
YCG42B21S	TPLC100C16MP13C	21.0	XAHC60G	1200	42.0	28.0	16.50	13.75
YCG42B21S	TPLC100C16MP13C	24.5	XAHD42E	1200	41.0	28.0	16.00	13.50
YCG42B21S	TPLC100C16MP13C	24.5	XAHD48F	1200	40.5	27.4	16.25	13.50
YCG42B21S	TPLC100C16MP13C	21.0	XAHD60G	1200	42.0	28.2	16.50	13.75
YCG42B21S	TPLC100C20MP13C	21.0	CF/CM/CU42C	1375	41.5	32.4	16.25	13.25
YCG42B21S	TPLC100C20MP13C	21.0	CF/CM/CU42D	1375	42.0	32.8	16.75	14.25

COOLING CAPACITY - With High Efficiency Motor Furnaces¹ (Continued)

UNIT MODEL	FURNACE		COIL MODEL ²	COOLING				
	MODEL	WIDTH		RATED CFM	NET MBH		SEER	EER
					TOTAL	SENS.		
YCG42B21S	TPLC100C20MP13C	21.0	CF/CM/CU48C	1375	42.0	32.8	16.50	13.75
YCG42B21S	TPLC100C20MP13C	21.0	CF/CM/CU48D	1375	42.0	32.8	16.50	13.75
YCG42B21S	TPLC100C20MP13C	21.0	CF/CM/CU60C	1375	42.0	33.0	16.50	13.75
YCG42B21S	TPLC100C20MP13C	21.0	CF/CM/CU60D	1375	42.0	33.0	16.75	13.75
YCG42B21S	TPLC100C20MP13C	21.0	CF/CM64D	1375	42.0	33.0	16.75	14.00
YCG42B21S	TPLC100C20MP13C	21.0	XAF/XAUC42E	1225	41.5	28.4	16.25	13.50
YCG42B21S	TPLC100C20MP13C	21.0	XAF/XAUC48F	1225	41.5	27.8	16.50	13.75
YCG42B21S	TPLC100C20MP13C	21.0	XAF/XAUC60G	1225	42.0	28.6	16.50	13.75
YCG42B21S	TPLC100C20MP13C	24.5	XAF/XAUD60G	1225	41.5	28.6	16.75	13.75
YCG42B21S	TPLC100C20MP13C	24.5	XAFD42E	1225	41.5	28.4	16.50	13.75
YCG42B21S	TPLC100C20MP13C	24.5	XAFD48F	1325	41.5	28.6	16.50	13.75
YCG42B21S	TPLC100C20MP13C	21.0	XAHC42E	1225	41.5	28.2	16.25	13.50
YCG42B21S	TPLC100C20MP13C	21.0	XAHC48F	1225	41.5	27.8	16.50	13.75
YCG42B21S	TPLC100C20MP13C	21.0	XAHC60G	1225	42.0	28.4	16.50	13.75
YCG42B21S	TPLC100C20MP13C	24.5	XAHD42E	1225	41.0	28.0	16.50	13.75
YCG42B21S	TPLC100C20MP13C	24.5	XAHD48F	1225	41.0	27.8	16.50	13.75
YCG42B21S	TPLC100C20MP13C	21.0	XAHD60G	1225	42.0	28.6	16.75	13.75
YCG42B21S	TPLC120C20MP13C	21.0	CF/CM/CU42C	1375	41.5	32.4	16.25	13.25
YCG42B21S	TPLC120C20MP13C	21.0	CF/CM/CU42D	1375	42.0	32.8	16.75	14.25
YCG42B21S	TPLC120C20MP13C	21.0	CF/CM/CU48C	1375	42.0	32.8	16.50	13.75
YCG42B21S	TPLC120C20MP13C	21.0	CF/CM/CU48D	1375	42.0	32.8	16.50	13.75
YCG42B21S	TPLC120C20MP13C	21.0	CF/CM/CU60C	1375	42.0	33.0	16.50	13.75
YCG42B21S	TPLC120C20MP13C	21.0	CF/CM/CU60D	1375	42.0	33.0	16.75	13.75
YCG42B21S	TPLC120C20MP13C	21.0	CF/CM64D	1375	42.0	33.0	16.75	14.00
YCG42B21S	TPLC120C20MP13C	21.0	XAF/XAUC42E	1225	41.5	28.4	16.25	13.50
YCG42B21S	TPLC120C20MP13C	21.0	XAF/XAUC48F	1225	41.5	27.8	16.50	13.75
YCG42B21S	TPLC120C20MP13C	21.0	XAF/XAUC60G	1225	42.0	28.6	16.50	13.75
YCG42B21S	TPLC120C20MP13C	24.5	XAF/XAUD60G	1225	41.5	28.6	16.75	13.75
YCG42B21S	TPLC120C20MP13C	24.5	XAFD42E	1225	41.5	28.4	16.50	13.75
YCG42B21S	TPLC120C20MP13C	24.5	XAFD48F	1325	41.5	28.6	16.50	13.75
YCG42B21S	TPLC120C20MP13C	21.0	XAHC42E	1225	41.5	28.2	16.25	13.50
YCG42B21S	TPLC120C20MP13C	21.0	XAHC48F	1225	41.5	27.8	16.50	13.75
YCG42B21S	TPLC120C20MP13C	21.0	XAHC60G	1225	42.0	28.4	16.50	13.75
YCG42B21S	TPLC120C20MP13C	24.5	XAHD42E	1225	41.0	28.0	16.50	13.75
YCG42B21S	TPLC120C20MP13C	24.5	XAHD48F	1225	41.0	27.8	16.50	13.75
YCG42B21S	TPLC120C20MP13C	21.0	XAHD60G	1225	42.0	28.6	16.75	13.75
YCG42B21S	YP9C060B12MP13C	21.0	XAHC60G	1225	40.0	28.2	15.25	12.50
YCG42B21S	YP9C080B12MP13C	17.5	CF42B	1100	39.0	28.2	15.25	12.50
YCG42B21S	YP9C080B12MP13C	21.0	XAF/XAUC42E	1250	40.5	28.6	15.50	12.75
YCG42B21S	YP9C080B12MP13C	21.0	XAF/XAUC48F	1250	40.5	27.8	15.50	12.75
YCG42B21S	YP9C080B12MP13C	21.0	XAF/XAUC60G	1250	41.0	28.6	16.00	13.00
YCG42B21S	YP9C080B12MP13C	21.0	XAHC60G	1250	41.0	28.6	16.00	13.00
YCG42B21S	YP9C080C16MP13C	21.0	CF/CM/CU42C	1225	41.0	30.6	16.20	13.25
YCG42B21S	YP9C080C16MP13C	21.0	CF/CM/CU48C	1225	41.5	30.8	16.50	13.50
YCG42B21S	YP9C080C16MP13C	21.0	CF/CM/CU48D	1225	41.5	30.8	16.50	13.75
YCG42B21S	YP9C080C16MP13C	21.0	CF/CM/CU60C	1225	41.0	30.4	16.00	13.50
YCG42B21S	YP9C080C16MP13C	21.0	CF/CM/CU60D	1225	41.0	30.4	16.25	13.50
YCG42B21S	YP9C080C16MP13C	21.0	CF/CM42D	1225	41.0	30.6	16.20	13.25
YCG42B21S	YP9C080C16MP13C	21.0	CF/CM64D	1225	42.0	31.2	16.50	13.75
YCG42B21S	YP9C080C16MP13C	21.0	XAF/XAUC42E	1225	41.0	28.2	16.00	13.50
YCG42B21S	YP9C080C16MP13C	21.0	XAF/XAUC48F	1225	41.0	27.6	16.00	13.50
YCG42B21S	YP9C080C16MP13C	21.0	XAF/XAUC60G	1225	41.0	28.4	16.00	13.50
YCG42B21S	YP9C080C16MP13C	24.5	XAF/XAUD60G	1225	41.0	28.4	16.25	13.50
YCG42B21S	YP9C080C16MP13C	24.5	XAFD42E	1225	41.0	28.2	16.00	13.25
YCG42B21S	YP9C080C16MP13C	24.5	XAFD48F	1225	40.5	27.6	16.00	13.50
YCG42B21S	YP9C080C16MP13C	21.0	XAHC42E	1225	41.0	28.4	15.75	13.00
YCG42B21S	YP9C080C16MP13C	21.0	XAHC48F	1225	41.0	27.6	16.00	13.50
YCG42B21S	YP9C080C16MP13C	21.0	XAHC60G	1225	41.0	28.4	16.00	13.50
YCG42B21S	YP9C080C16MP13C	24.5	XAHD42E	1225	41.0	28.2	15.75	13.00
YCG42B21S	YP9C080C16MP13C	24.5	XAHD48F	1225	40.5	27.6	16.00	13.50
YCG42B21S	YP9C080C16MP13C	21.0	XAHD60G	1225	41.0	28.4	16.25	13.50
YCG42B21S	YP9C100C16MP13C	21.0	CF/CM/CU42C	1325	41.0	31.4	16.20	13.25
YCG42B21S	YP9C100C16MP13C	21.0	CF/CM/CU42D	1300	41.0	31.4	16.25	14.00
YCG42B21S	YP9C100C16MP13C	21.0	CF/CM/CU48C	1275	41.5	31.4	16.50	13.50

COOLING CAPACITY - With High Efficiency Motor Furnaces¹ (Continued)

UNIT MODEL	FURNACE		COIL MODEL ²	COOLING				
	MODEL	WIDTH		RATED CFM	NET MBH		SEER	EER
					TOTAL	SENS.		
YCG42B21S	YP9C100C16MP13C	21.0	CF/CM/CU48D	1300	41.5	31.8	16.75	13.75
YCG42B21S	YP9C100C16MP13C	21.0	CF/CM/CU60C	1325	42.0	32.4	16.50	13.75
YCG42B21S	YP9C100C16MP13C	21.0	CF/CM/CU60D	1300	41.5	32.0	16.50	13.50
YCG42B21S	YP9C100C16MP13C	21.0	CF/CM64D	1275	42.0	32.0	16.50	13.75
YCG42B21S	YP9C100C16MP13C	21.0	XAF/XAUC42E	1225	41.0	28.2	16.20	13.50
YCG42B21S	YP9C100C16MP13C	21.0	XAF/XAUC48F	1225	41.5	27.8	16.25	13.50
YCG42B21S	YP9C100C16MP13C	21.0	XAF/XAUC60G	1225	42.0	28.6	16.50	13.75
YCG42B21S	YP9C100C16MP13C	24.5	XAF/XAUD60G	1225	41.5	28.6	16.50	13.50
YCG42B21S	YP9C100C16MP13C	24.5	XAFD42E	1225	41.0	28.2	16.25	13.50
YCG42B21S	YP9C100C16MP13C	24.5	XAFD48F	1225	41.0	27.8	16.25	13.50
YCG42B21S	YP9C100C16MP13C	21.0	XAHC42E	1200	41.0	28.0	16.00	13.50
YCG42B21S	YP9C100C16MP13C	21.0	XAHC48F	1225	41.5	27.8	16.25	13.50
YCG42B21S	YP9C100C16MP13C	21.0	XAHC60G	1225	42.0	28.6	16.50	13.75
YCG42B21S	YP9C100C16MP13C	24.5	XAHD42E	1225	41.0	28.2	16.00	13.50
YCG42B21S	YP9C100C16MP13C	24.5	XAHD48F	1225	41.0	27.8	16.25	13.50
YCG42B21S	YP9C100C16MP13C	21.0	XAHD60G	1225	41.5	28.2	16.50	13.50
YCG42B21S	YP9C100C20MP13C	21.0	CF/CM/CU42C	1350	41.0	31.8	16.00	13.00
YCG42B21S	YP9C100C20MP13C	21.0	CF/CM/CU42D	1350	41.5	32.4	16.25	14.00
YCG42B21S	YP9C100C20MP13C	21.0	CF/CM/CU48C	1350	42.0	32.6	16.50	13.50
YCG42B21S	YP9C100C20MP13C	21.0	CF/CM/CU48D	1350	42.0	32.6	16.50	13.75
YCG42B21S	YP9C100C20MP13C	21.0	CF/CM/CU60C	1225	41.0	31.0	16.50	13.50
YCG42B21S	YP9C100C20MP13C	21.0	CF/CM/CU60D	1350	42.0	32.8	16.50	13.75
YCG42B21S	YP9C100C20MP13C	21.0	CF/CM64D	1350	42.0	32.6	17.00	14.00
YCG42B21S	YP9C100C20MP13C	21.0	XAF/XAUC42E	1225	41.0	28.2	16.00	13.50
YCG42B21S	YP9C100C20MP13C	21.0	XAF/XAUC48F	1225	41.5	27.8	16.25	13.50
YCG42B21S	YP9C100C20MP13C	21.0	XAF/XAUC60G	1225	41.0	28.6	16.50	13.50
YCG42B21S	YP9C100C20MP13C	24.5	XAF/XAUD60G	1225	41.5	28.6	16.50	13.75
YCG42B21S	YP9C100C20MP13C	24.5	XAFD42E	1225	41.0	28.2	16.25	13.50
YCG42B21S	YP9C100C20MP13C	24.5	XAFD48F	1225	41.0	27.8	16.25	13.50
YCG42B21S	YP9C100C20MP13C	21.0	XAHC42E	1225	41.0	28.2	16.00	13.25
YCG42B21S	YP9C100C20MP13C	21.0	XAHC48F	1225	41.5	27.8	16.25	13.50
YCG42B21S	YP9C100C20MP13C	21.0	XAHC60G	1225	41.0	28.6	16.50	13.50
YCG42B21S	YP9C100C20MP13C	24.5	XAHD42E	1225	41.0	28.2	16.25	13.50
YCG42B21S	YP9C100C20MP13C	24.5	XAHD48F	1225	41.0	27.8	16.25	13.50
YCG42B21S	YP9C100C20MP13C	21.0	XAHD60G	1225	42.0	28.2	16.50	13.75
YCG42B21S	YP9C120D20MP13C	24.5	CF/CM/CU42D	1400	41.5	32.6	16.25	13.25
YCG42B21S	YP9C120D20MP13C	24.5	CF/CM/CU48D	1400	42.0	33.0	16.50	13.75
YCG42B21S	YP9C120D20MP13C	24.5	CF/CM/CU60D	1400	42.0	33.4	17.00	14.00
YCG42B21S	YP9C120D20MP13C	24.5	CF/CM64D	1400	42.0	33.0	17.00	14.00
YCG42B21S	YP9C120D20MP13C	24.5	XAF/XAUD60G	1200	42.0	28.4	17.00	14.00
YCG42B21S	YP9C120D20MP13C	24.5	XAFD42E	1200	41.5	27.8	16.25	13.50
YCG42B21S	YP9C120D20MP13C	24.5	XAFD48F	1200	41.5	27.6	16.50	13.75
YCG42B21S	YP9C120D20MP13C	24.5	XAHD42E	1200	41.5	28.0	16.25	13.50
YCG42B21S	YP9C120D20MP13C	24.5	XAHD48F	1200	41.5	27.6	16.50	13.75
YCG42B21S	YP9C120D20MP13C	21.0	XAHD60G	1200	42.0	28.0	17.00	14.00
YCG42B21S	YPLC080C16MP13C	21.0	CF/CM/CU42C	1375	41.5	32.4	16.00	13.00
YCG42B21S	YPLC080C16MP13C	21.0	CF/CM/CU42D	1375	42.0	32.8	16.25	14.00
YCG42B21S	YPLC080C16MP13C	21.0	CF/CM/CU48C	1375	42.0	32.8	16.25	13.50
YCG42B21S	YPLC080C16MP13C	21.0	CF/CM/CU48D	1375	42.0	32.8	16.50	13.75
YCG42B21S	YPLC080C16MP13C	21.0	CF/CM/CU60C	1375	42.0	33.0	16.50	13.75
YCG42B21S	YPLC080C16MP13C	21.0	CF/CM/CU60D	1375	42.0	33.0	16.50	13.75
YCG42B21S	YPLC080C16MP13C	21.0	CF/CM64D	1375	42.0	33.0	16.50	13.75
YCG42B21S	YPLC080C16MP13C	21.0	XAF/XAUC42E	1200	41.5	28.0	16.00	13.50
YCG42B21S	YPLC080C16MP13C	21.0	XAF/XAUC48F	1200	41.0	27.4	16.25	13.50
YCG42B21S	YPLC080C16MP13C	21.0	XAF/XAUC60G	1200	42.0	28.2	16.50	13.75
YCG42B21S	YPLC080C16MP13C	24.5	XAF/XAUD60G	1200	41.5	28.2	16.50	13.75
YCG42B21S	YPLC080C16MP13C	24.5	XAFD42E	1200	41.0	28.0	16.25	13.50
YCG42B21S	YPLC080C16MP13C	24.5	XAFD48F	1200	40.5	27.4	16.25	13.50
YCG42B21S	YPLC080C16MP13C	21.0	XAHC42E	1200	41.5	28.0	16.00	13.25
YCG42B21S	YPLC080C16MP13C	21.0	XAHC48F	1200	41.5	27.6	16.25	13.50
YCG42B21S	YPLC080C16MP13C	21.0	XAHC60G	1200	42.0	28.0	16.50	13.75
YCG42B21S	YPLC080C16MP13C	24.5	XAHD42E	1200	41.0	28.0	16.00	13.50
YCG42B21S	YPLC080C16MP13C	24.5	XAHD48F	1200	40.5	27.4	16.25	13.50
YCG42B21S	YPLC080C16MP13C	21.0	XAHD60G	1200	42.0	28.2	16.50	13.75

COOLING CAPACITY - With High Efficiency Motor Furnaces¹ (Continued)

UNIT MODEL	FURNACE		COIL MODEL ²	COOLING				
	MODEL	WIDTH		RATED CFM	NET MBH		SEER	EER
					TOTAL	SENS.		
YCG42B21S	YPLC100C16MP13C	21.0	CF/CM/CU42C	1375	41.5	32.4	16.00	13.00
YCG42B21S	YPLC100C16MP13C	21.0	CF/CM/CU42D	1375	42.0	32.8	16.25	14.00
YCG42B21S	YPLC100C16MP13C	21.0	CF/CM/CU48C	1375	42.0	32.8	16.25	13.50
YCG42B21S	YPLC100C16MP13C	21.0	CF/CM/CU48D	1375	42.0	32.8	16.50	13.75
YCG42B21S	YPLC100C16MP13C	21.0	CF/CM/CU60C	1375	42.0	33.0	16.50	13.75
YCG42B21S	YPLC100C16MP13C	21.0	CF/CM/CU60D	1375	42.0	33.0	16.50	13.75
YCG42B21S	YPLC100C16MP13C	21.0	CF/CM64D	1375	42.0	33.0	16.50	13.75
YCG42B21S	YPLC100C16MP13C	21.0	XAF/XAUC42E	1200	41.5	28.0	16.00	13.50
YCG42B21S	YPLC100C16MP13C	21.0	XAF/XAUC48F	1200	41.0	27.4	16.25	13.50
YCG42B21S	YPLC100C16MP13C	21.0	XAF/XAUC60G	1200	42.0	28.2	16.50	13.75
YCG42B21S	YPLC100C16MP13C	24.5	XAF/XAUD60G	1200	41.5	28.2	16.50	13.75
YCG42B21S	YPLC100C16MP13C	24.5	XAFD42E	1200	41.0	28.0	16.25	13.50
YCG42B21S	YPLC100C16MP13C	24.5	XAFD48F	1200	40.5	27.4	16.25	13.50
YCG42B21S	YPLC100C16MP13C	21.0	XAHC42E	1200	41.5	28.0	16.00	13.25
YCG42B21S	YPLC100C16MP13C	21.0	XAHC48F	1200	41.5	27.6	16.25	13.50
YCG42B21S	YPLC100C16MP13C	21.0	XAHC60G	1200	42.0	28.0	16.50	13.75
YCG42B21S	YPLC100C16MP13C	24.5	XAHD42E	1200	41.0	28.0	16.00	13.50
YCG42B21S	YPLC100C16MP13C	24.5	XAHD48F	1200	40.5	27.4	16.25	13.50
YCG42B21S	YPLC100C16MP13C	21.0	XAHD60G	1200	42.0	28.2	16.50	13.75
YCG42B21S	YPLC100C20MP13C	21.0	CF/CM/CU42C	1375	41.5	32.4	16.25	13.25
YCG42B21S	YPLC100C20MP13C	21.0	CF/CM/CU42D	1375	42.0	32.8	16.75	14.25
YCG42B21S	YPLC100C20MP13C	21.0	CF/CM/CU48C	1375	42.0	32.8	16.50	13.75
YCG42B21S	YPLC100C20MP13C	21.0	CF/CM/CU48D	1375	42.0	32.8	16.50	13.75
YCG42B21S	YPLC100C20MP13C	21.0	CF/CM/CU60C	1375	42.0	33.0	16.50	13.75
YCG42B21S	YPLC100C20MP13C	21.0	CF/CM/CU60D	1375	42.0	33.0	16.75	13.75
YCG42B21S	YPLC100C20MP13C	21.0	CF/CM64D	1375	42.0	33.0	16.75	14.00
YCG42B21S	YPLC100C20MP13C	21.0	XAF/XAUC42E	1225	41.5	28.4	16.25	13.50
YCG42B21S	YPLC100C20MP13C	21.0	XAF/XAUC48F	1225	41.5	27.8	16.50	13.75
YCG42B21S	YPLC100C20MP13C	21.0	XAF/XAUC60G	1225	42.0	28.6	16.50	13.75
YCG42B21S	YPLC100C20MP13C	24.5	XAF/XAUD60G	1225	41.5	28.6	16.75	13.75
YCG42B21S	YPLC100C20MP13C	24.5	XAFD42E	1225	41.5	28.4	16.50	13.75
YCG42B21S	YPLC100C20MP13C	24.5	XAFD48F	1325	41.5	28.6	16.50	13.75
YCG42B21S	YPLC100C20MP13C	21.0	XAHC42E	1225	41.5	28.2	16.25	13.50
YCG42B21S	YPLC100C20MP13C	21.0	XAHC48F	1225	41.5	27.8	16.50	13.75
YCG42B21S	YPLC100C20MP13C	21.0	XAHC60G	1225	42.0	28.4	16.50	13.75
YCG42B21S	YPLC100C20MP13C	24.5	XAHD42E	1225	41.0	28.0	16.50	13.75
YCG42B21S	YPLC100C20MP13C	24.5	XAHD48F	1225	41.0	27.8	16.50	13.75
YCG42B21S	YPLC100C20MP13C	21.0	XAHD60G	1225	42.0	28.6	16.75	13.75
YCG42B21S	YPLC120C20MP13C	21.0	CF/CM/CU42C	1375	41.5	32.4	16.25	13.25
YCG42B21S	YPLC120C20MP13C	21.0	CF/CM/CU42D	1375	42.0	32.8	16.75	14.25
YCG42B21S	YPLC120C20MP13C	21.0	CF/CM/CU48C	1375	42.0	32.8	16.50	13.75
YCG42B21S	YPLC120C20MP13C	21.0	CF/CM/CU48D	1375	42.0	32.8	16.50	13.75
YCG42B21S	YPLC120C20MP13C	21.0	CF/CM/CU60C	1375	42.0	33.0	16.50	13.75
YCG42B21S	YPLC120C20MP13C	21.0	CF/CM/CU60D	1375	42.0	33.0	16.75	13.75
YCG42B21S	YPLC120C20MP13C	21.0	CF/CM64D	1375	42.0	33.0	16.75	14.00
YCG42B21S	YPLC120C20MP13C	21.0	XAF/XAUC42E	1225	41.5	28.4	16.25	13.50
YCG42B21S	YPLC120C20MP13C	21.0	XAF/XAUC48F	1225	41.5	27.8	16.50	13.75
YCG42B21S	YPLC120C20MP13C	21.0	XAF/XAUC60G	1225	42.0	28.6	16.50	13.75
YCG42B21S	YPLC120C20MP13C	24.5	XAF/XAUD60G	1225	41.5	28.6	16.75	13.75
YCG42B21S	YPLC120C20MP13C	24.5	XAFD42E	1225	41.5	28.4	16.50	13.75
YCG42B21S	YPLC120C20MP13C	24.5	XAFD48F	1325	41.5	28.6	16.50	13.75
YCG42B21S	YPLC120C20MP13C	21.0	XAHC42E	1225	41.5	28.2	16.25	13.50
YCG42B21S	YPLC120C20MP13C	21.0	XAHC48F	1225	41.5	27.8	16.50	13.75
YCG42B21S	YPLC120C20MP13C	21.0	XAHC60G	1225	42.0	28.4	16.50	13.75
YCG42B21S	YPLC120C20MP13C	24.5	XAHD42E	1225	41.0	28.0	16.50	13.75
YCG42B21S	YPLC120C20MP13C	24.5	XAHD48F	1225	41.0	27.8	16.50	13.75
YCG42B21S	YPLC120C20MP13C	21.0	XAHD60G	1225	42.0	28.6	16.75	13.75
YCG48B21S	TL8E080C16UH11	21.0	CF/CM/CU48C	1400	45.0	33.8	15.75	12.75
YCG48B21S	TL8E080C16UH11	21.0	CF/CM/CU48D	1400	45.0	34.0	15.75	13.00
YCG48B21S	TL8E080C16UH11	21.0	CF/CM/CU60C	1375	45.5	33.8	15.50	12.75
YCG48B21S	TL8E080C16UH11	21.0	CF/CM64D	1400	47.0	35.2	16.00	13.25
YCG48B21S	TL8E080C16UH11	21.0	XAF/XAUC48F	1350	45.0	31.2	15.25	12.75
YCG48B21S	TL8E080C16UH11	21.0	XAF/XAUC60G	1375	45.5	32.0	15.50	12.75
YCG48B21S	TL8E080C16UH11	24.5	XAF/XAUD60G	1375	46.0	32.0	15.75	13.00

COOLING CAPACITY - With High Efficiency Motor Furnaces¹ (Continued)

UNIT MODEL	FURNACE		COIL MODEL ²	COOLING				
	MODEL	WIDTH		RATED CFM	NET MBH		SEER	EER
					TOTAL	SENS.		
YCG48B21S	TL8E080C16UH11	24.5	XAFD48F	1375	45.0	31.2	15.25	12.75
YCG48B21S	TL8E080C16UH11	21.0	XAHC48F	1375	45.0	31.2	15.25	12.75
YCG48B21S	TL8E080C16UH11	21.0	XAHC60G	1400	45.5	32.2	15.50	12.75
YCG48B21S	TL8E080C16UH11	24.5	XAHD48F	1375	45.0	31.2	15.25	12.75
YCG48B21S	TL8E080C16UH11	21.0	XAHD60G	1375	46.0	32.0	15.75	13.00
YCG48B21S	TL8E100C20UH11	21.0	CF/CM/CU48C	1400	45.5	34.2	16.00	13.25
YCG48B21S	TL8E100C20UH11	21.0	CF/CM/CU48D	1425	45.5	34.4	16.00	13.25
YCG48B21S	TL8E100C20UH11	21.0	CF/CM/CU60C	1400	45.5	34.0	16.00	13.25
YCG48B21S	TL8E100C20UH11	21.0	CF/CM64D	1400	47.0	35.2	16.50	13.50
YCG48B21S	TL8E100C20UH11	21.0	XAF/XAUC48F	1375	45.0	31.2	15.75	13.00
YCG48B21S	TL8E100C20UH11	21.0	XAF/XAUC60G	1400	45.5	32.4	16.00	13.25
YCG48B21S	TL8E100C20UH11	24.5	XAF/XAUD60G	1400	46.5	32.4	16.25	13.25
YCG48B21S	TL8E100C20UH11	24.5	XAFD48F	1375	45.0	31.2	15.75	13.00
YCG48B21S	TL8E100C20UH11	21.0	XAHC48F	1375	45.0	31.2	15.75	13.00
YCG48B21S	TL8E100C20UH11	21.0	XAHC60G	1400	45.5	32.4	16.00	13.25
YCG48B21S	TL8E100C20UH11	24.5	XAHD48F	1375	45.0	31.2	15.75	13.00
YCG48B21S	TL8E100C20UH11	21.0	XAHD60G	1375	46.0	32.0	16.00	13.25
YCG48B21S	TL9E080C16UH11	21.0	CF/CM/CU48C	1400	45.0	33.8	15.25	12.50
YCG48B21S	TL9E080C16UH11	21.0	CF/CM/CU48D	1400	45.0	33.8	15.50	12.75
YCG48B21S	TL9E080C16UH11	21.0	CF/CM/CU60C	1400	45.5	34.2	15.25	12.50
YCG48B21S	TL9E080C16UH11	21.0	CF/CM64D	1400	46.5	34.6	15.75	13.00
YCG48B21S	TL9E080C16UH11	21.0	XAF/XAUC48F	1375	45.0	31.4	15.00	12.25
YCG48B21S	TL9E080C16UH11	21.0	XAF/XAUC60G	1400	45.5	32.4	15.25	12.50
YCG48B21S	TL9E080C16UH11	24.5	XAF/XAUD60G	1400	46.0	32.4	15.50	12.75
YCG48B21S	TL9E080C16UH11	24.5	XAFD48F	1375	45.0	31.4	15.00	12.50
YCG48B21S	TL9E080C16UH11	21.0	XAHC48F	1375	45.0	31.4	15.00	12.25
YCG48B21S	TL9E080C16UH11	21.0	XAHC60G	1400	45.5	32.4	15.25	12.50
YCG48B21S	TL9E080C16UH11	24.5	XAHD48F	1375	45.0	31.4	15.00	12.50
YCG48B21S	TL9E080C16UH11	21.0	XAHD60G	1375	46.0	32.2	15.25	12.50
YCG48B21S	TL9E100C20UH11	21.0	CF/CM/CU48C	1400	45.5	34.2	16.00	13.00
YCG48B21S	TL9E100C20UH11	21.0	CF/CM/CU48D	1425	45.5	34.4	16.00	13.25
YCG48B21S	TL9E100C20UH11	21.0	CF/CM/CU60C	1400	45.5	34.0	15.75	13.00
YCG48B21S	TL9E100C20UH11	21.0	CF/CM64D	1400	47.0	35.2	16.25	13.50
YCG48B21S	TL9E100C20UH11	21.0	XAF/XAUC48F	1375	45.0	31.2	15.50	12.75
YCG48B21S	TL9E100C20UH11	21.0	XAF/XAUC60G	1400	45.5	32.2	15.75	13.00
YCG48B21S	TL9E100C20UH11	24.5	XAF/XAUD60G	1400	46.0	32.2	16.00	13.25
YCG48B21S	TL9E100C20UH11	24.5	XAFD48F	1400	45.0	31.4	15.75	13.00
YCG48B21S	TL9E100C20UH11	21.0	XAHC48F	1375	45.0	31.2	15.50	12.75
YCG48B21S	TL9E100C20UH11	21.0	XAHC60G	1400	45.5	32.2	15.75	13.00
YCG48B21S	TL9E100C20UH11	24.5	XAHD48F	1375	45.0	31.2	15.50	12.75
YCG48B21S	TL9E100C20UH11	21.0	XAHD60G	1375	46.0	32.0	15.75	13.00
YCG48B21S	TM8E080B12MP11	17.5	CF/CM/CU48C	1325	44.5	32.8	15.00	12.50
YCG48B21S	TM8E080B12MP11	17.5	CF/CM/CU60C	1325	45.0	33.2	14.75	12.25
YCG48B21S	TM8E080C16MP11	21.0	CF/CM/CU48C	1575	44.0	33.2	14.50	12.25
YCG48B21S	TM8E080C16MP11	21.0	CF/CM/CU48D	1600	44.5	33.8	14.50	12.25
YCG48B21S	TM8E080C16MP11	21.0	CF/CM/CU60C	1575	46.0	35.8	15.00	12.50
YCG48B21S	TM8E080C16MP11	21.0	CF/CM/CU60D	1600	46.0	36.2	15.00	12.50
YCG48B21S	TM8E080C16MP11	21.0	CF/CM64D	1575	47.5	37.4	15.50	12.75
YCG48B21S	TM8E080C16MP11	21.0	XAF/XAUC48F	1550	44.0	33.0	14.50	12.25
YCG48B21S	TM8E080C16MP11	21.0	XAF/XAUC60G	1575	46.0	34.0	15.00	12.50
YCG48B21S	TM8E080C16MP11	24.5	XAF/XAUD60G	1575	46.0	34.0	15.00	12.50
YCG48B21S	TM8E080C16MP11	24.5	XAFD48F	1575	44.5	33.0	14.50	12.25
YCG48B21S	TM8E080C16MP11	21.0	XAHC48F	1550	44.0	33.0	14.50	12.25
YCG48B21S	TM8E080C16MP11	21.0	XAHC60G	1575	46.0	34.0	15.00	12.50
YCG48B21S	TM8E080C16MP11	24.5	XAHD48F	1575	44.5	33.0	14.50	12.25
YCG48B21S	TM8E080C16MP11	21.0	XAHD60G	1550	46.0	33.8	15.00	12.50
YCG48B21S	TM8E080C20MP11	21.0	CF/CM/CU48C	1450	45.5	34.6	16.00	13.25
YCG48B21S	TM8E080C20MP11	21.0	CF/CM/CU48D	1475	46.0	35.2	16.00	13.25
YCG48B21S	TM8E080C20MP11	21.0	CF/CM/CU60C	1450	46.0	35.0	15.75	13.00
YCG48B21S	TM8E080C20MP11	21.0	CF/CM/CU60D	1475	46.0	35.2	15.75	13.00
YCG48B21S	TM8E080C20MP11	21.0	CF/CM64D	1450	47.5	36.2	16.25	13.50
YCG48B21S	TM8E080C20MP11	21.0	XAF/XAUC48F	1425	45.5	31.8	15.50	12.75
YCG48B21S	TM8E080C20MP11	21.0	XAF/XAUC60G	1450	46.0	32.8	15.75	13.00
YCG48B21S	TM8E080C20MP11	24.5	XAF/XAUD60G	1450	46.0	32.8	15.75	13.00

COOLING CAPACITY - With High Efficiency Motor Furnaces¹ (Continued)

UNIT MODEL	FURNACE		COIL MODEL ²	COOLING				
	MODEL	WIDTH		RATED CFM	NET MBH		SEER	EER
					TOTAL	SENS.		
YCG48B21S	TM8E080C20MP11	24.5	XAFD48F	1425	45.5	31.8	15.75	13.00
YCG48B21S	TM8E080C20MP11	21.0	XAHC48F	1425	45.5	31.8	15.75	13.00
YCG48B21S	TM8E080C20MP11	21.0	XAHC60G	1450	46.0	32.8	15.75	13.00
YCG48B21S	TM8E080C20MP11	24.5	XAHD48F	1425	45.5	31.8	15.75	13.00
YCG48B21S	TM8E080C20MP11	21.0	XAHD60G	1425	46.0	32.6	15.75	13.00
YCG48B21S	TM8E100C16MP11	21.0	CF/CM/CU48C	1300	45.0	33.0	15.75	13.00
YCG48B21S	TM8E100C16MP11	21.0	CF/CM/CU48D	1300	45.0	33.0	16.00	13.00
YCG48B21S	TM8E100C16MP11	21.0	CF/CM/CU60C	1575	46.0	35.8	15.00	12.50
YCG48B21S	TM8E100C16MP11	21.0	CF/CM/CU60D	1300	45.0	32.8	15.75	13.00
YCG48B21S	TM8E100C16MP11	21.0	CF/CM64D	1300	46.0	33.6	16.25	13.50
YCG48B21S	TM8E100C16MP11	21.0	XAF/XAUC48F	1550	45.0	33.0	14.75	12.25
YCG48B21S	TM8E100C16MP11	21.0	XAF/XAUC60G	1575	46.0	34.0	15.00	12.50
YCG48B21S	TM8E100C16MP11	24.5	XAF/XAUD60G	1575	45.0	34.0	15.25	12.75
YCG48B21S	TM8E100C16MP11	24.5	XAFD48F	1575	45.0	33.0	15.00	12.25
YCG48B21S	TM8E100C16MP11	21.0	XAHC48F	1550	45.0	33.0	14.75	12.25
YCG48B21S	TM8E100C16MP11	21.0	XAHC60G	1300	45.5	31.4	15.75	12.75
YCG48B21S	TM8E100C16MP11	24.5	XAHD48F	1550	45.0	33.0	14.75	12.25
YCG48B21S	TM8E100C16MP11	21.0	XAHD60G	1550	45.0	33.8	15.25	12.50
YCG48B21S	TM8E100C20MP11	21.0	CF/CM/CU48C	1425	45.5	34.4	15.75	13.00
YCG48B21S	TM8E100C20MP11	21.0	CF/CM/CU48D	1450	46.0	35.0	16.00	13.25
YCG48B21S	TM8E100C20MP11	21.0	CF/CM/CU60C	1425	45.5	34.4	16.00	13.00
YCG48B21S	TM8E100C20MP11	21.0	CF/CM/CU60D	1450	46.0	35.0	15.75	13.00
YCG48B21S	TM8E100C20MP11	21.0	CF/CM64D	1425	47.0	35.6	16.25	13.50
YCG48B21S	TM8E100C20MP11	21.0	XAF/XAUC48F	1400	45.0	31.4	15.50	12.75
YCG48B21S	TM8E100C20MP11	21.0	XAF/XAUC60G	1425	45.5	32.6	16.00	13.00
YCG48B21S	TM8E100C20MP11	24.5	XAF/XAUD60G	1425	46.0	32.6	15.75	13.00
YCG48B21S	TM8E100C20MP11	24.5	XAFD48F	1400	45.0	31.4	15.75	13.00
YCG48B21S	TM8E100C20MP11	21.0	XAHC48F	1400	45.0	31.4	15.50	12.75
YCG48B21S	TM8E100C20MP11	21.0	XAHC60G	1425	45.5	32.6	16.00	13.00
YCG48B21S	TM8E100C20MP11	24.5	XAHD48F	1400	45.0	31.4	15.75	13.00
YCG48B21S	TM8E100C20MP11	21.0	XAHD60G	1400	46.0	32.2	15.75	13.00
YCG48B21S	TM8E120C16MP11	21.0	CF/CM/CU48C	1300	45.0	33.0	16.00	13.00
YCG48B21S	TM8E120C16MP11	21.0	CF/CM/CU48D	1300	45.0	33.0	16.00	13.25
YCG48B21S	TM8E120C16MP11	21.0	CF/CM/CU60C	1300	45.0	32.8	15.75	13.00
YCG48B21S	TM8E120C16MP11	21.0	CF/CM/CU60D	1325	45.5	33.4	15.75	13.00
YCG48B21S	TM8E120C16MP11	21.0	CF/CM64D	1300	46.0	33.6	16.25	13.50
YCG48B21S	TM8E120C16MP11	21.0	XAF/XAUC48F	1550	45.0	33.0	15.00	12.25
YCG48B21S	TM8E120C16MP11	21.0	XAF/XAUC60G	1575	45.0	34.0	15.25	12.75
YCG48B21S	TM8E120C16MP11	24.5	XAF/XAUD60G	1575	45.5	34.0	15.25	12.75
YCG48B21S	TM8E120C16MP11	24.5	XAFD48F	1575	45.0	33.0	14.50	12.25
YCG48B21S	TM8E120C16MP11	21.0	XAHC48F	1550	45.0	33.0	15.00	12.25
YCG48B21S	TM8E120C16MP11	21.0	XAHC60G	1300	45.0	31.4	15.75	13.00
YCG48B21S	TM8E120C16MP11	24.5	XAHD48F	1575	45.0	33.0	14.50	12.25
YCG48B21S	TM8E120C16MP11	21.0	XAHD60G	1575	45.5	34.0	15.25	12.75
YCG48B21S	TM8E120C20MP11	21.0	CF/CM/CU48C	1425	45.5	34.4	16.00	13.25
YCG48B21S	TM8E120C20MP11	21.0	CF/CM/CU48D	1450	46.0	35.0	16.00	13.25
YCG48B21S	TM8E120C20MP11	21.0	CF/CM/CU60C	1425	46.0	34.6	16.00	13.25
YCG48B21S	TM8E120C20MP11	21.0	CF/CM/CU60D	1300	45.0	33.0	16.00	13.25
YCG48B21S	TM8E120C20MP11	21.0	CF/CM64D	1425	47.0	35.6	16.25	13.50
YCG48B21S	TM8E120C20MP11	21.0	XAF/XAUC48F	1400	45.0	31.4	15.75	13.00
YCG48B21S	TM8E120C20MP11	21.0	XAF/XAUC60G	1425	46.0	32.6	16.00	13.25
YCG48B21S	TM8E120C20MP11	24.5	XAF/XAUD60G	1425	45.0	32.6	16.00	13.25
YCG48B21S	TM8E120C20MP11	24.5	XAFD48F	1425	45.5	31.8	15.75	13.00
YCG48B21S	TM8E120C20MP11	21.0	XAHC48F	1400	45.0	31.4	15.75	13.00
YCG48B21S	TM8E120C20MP11	21.0	XAHC60G	1425	46.0	32.6	16.00	13.25
YCG48B21S	TM8E120C20MP11	24.5	XAHD48F	1400	45.0	31.4	15.75	13.00
YCG48B21S	TM8E120C20MP11	21.0	XAHD60G	1400	45.0	32.2	16.00	13.25
YCG48B21S	TM8E130D20MP11	24.5	CF/CM/CU48D	1425	45.5	34.4	16.00	13.25
YCG48B21S	TM8E130D20MP11	24.5	CF/CM/CU60D	1450	46.0	35.0	16.00	13.25
YCG48B21S	TM8E130D20MP11	24.5	CF/CM64D	1425	47.5	36.0	16.50	13.75
YCG48B21S	TM8E130D20MP11	24.5	XAF/XAUD60G	1400	46.0	32.4	16.00	13.25
YCG48B21S	TM8E130D20MP11	24.5	XAFD48F	1400	45.5	31.6	15.75	13.00
YCG48B21S	TM8E130D20MP11	24.5	XAHD48F	1400	45.5	31.6	15.75	13.00
YCG48B21S	TM8E130D20MP11	21.0	XAHD60G	1375	46.0	32.0	16.00	13.25

COOLING CAPACITY - With High Efficiency Motor Furnaces¹ (Continued)

UNIT MODEL	FURNACE		COIL MODEL ²	COOLING				
	MODEL	WIDTH		RATED CFM	NET MBH		SEER	EER
					TOTAL	SENS.		
YCG48B21S	TM8V080C16MP12C	21.0	CF/CM/CU48C	1425	45.0	34.0	15.75	13.00
YCG48B21S	TM8V080C16MP12C	21.0	CF/CM/CU48D	1425	45.0	34.0	15.75	13.00
YCG48B21S	TM8V080C16MP12C	21.0	CF/CM/CU60C	1425	45.5	34.8	16.00	13.25
YCG48B21S	TM8V080C16MP12C	21.0	CF/CM/CU60D	1425	46.0	35.0	16.00	13.50
YCG48B21S	TM8V080C16MP12C	21.0	CF/CM64D	1425	46.5	35.2	16.25	13.50
YCG48B21S	TM8V080C16MP12C	21.0	XAF/XAUC48F	1375	45.0	31.4	15.25	12.50
YCG48B21S	TM8V080C16MP12C	21.0	XAF/XAUC60G	1375	45.5	32.0	15.75	13.00
YCG48B21S	TM8V080C16MP12C	24.5	XAF/XAUD60G	1375	46.0	32.0	15.75	13.00
YCG48B21S	TM8V080C16MP12C	24.5	XAFD48F	1375	45.0	31.2	15.25	12.75
YCG48B21S	TM8V080C16MP12C	21.0	XAHC48F	1375	45.0	31.4	15.25	12.50
YCG48B21S	TM8V080C16MP12C	21.0	XAHC60G	1375	45.5	32.0	15.75	13.00
YCG48B21S	TM8V080C16MP12C	24.5	XAHD48F	1375	45.0	31.2	15.25	12.50
YCG48B21S	TM8V080C16MP12C	21.0	XAHD60G	1375	46.0	32.2	15.50	12.75
YCG48B21S	TM8V100C16MP12C	21.0	CF/CM/CU48C	1425	45.0	34.0	15.75	13.00
YCG48B21S	TM8V100C16MP12C	21.0	CF/CM/CU48D	1425	45.0	34.0	15.75	13.00
YCG48B21S	TM8V100C16MP12C	21.0	CF/CM/CU60C	1425	45.5	34.8	16.00	13.25
YCG48B21S	TM8V100C16MP12C	21.0	CF/CM/CU60D	1425	46.0	35.0	16.00	13.50
YCG48B21S	TM8V100C16MP12C	21.0	CF/CM64D	1425	46.5	35.2	16.25	13.50
YCG48B21S	TM8V100C16MP12C	21.0	XAF/XAUC48F	1375	45.0	31.4	15.25	12.50
YCG48B21S	TM8V100C16MP12C	21.0	XAF/XAUC60G	1375	45.5	32.0	15.75	13.00
YCG48B21S	TM8V100C16MP12C	24.5	XAF/XAUD60G	1375	46.0	32.0	15.75	13.00
YCG48B21S	TM8V100C16MP12C	24.5	XAFD48F	1375	45.0	31.2	15.25	12.75
YCG48B21S	TM8V100C16MP12C	21.0	XAHC48F	1375	45.0	31.4	15.25	12.50
YCG48B21S	TM8V100C16MP12C	21.0	XAHC60G	1375	45.5	32.0	15.75	13.00
YCG48B21S	TM8V100C16MP12C	24.5	XAHD48F	1375	45.0	31.2	15.25	12.50
YCG48B21S	TM8V100C16MP12C	21.0	XAHD60G	1375	46.0	32.2	15.50	12.75
YCG48B21S	TM8V100C20MP12C	21.0	CF/CM/CU48C	1425	45.0	34.0	15.75	13.00
YCG48B21S	TM8V100C20MP12C	21.0	CF/CM/CU48D	1475	46.0	35.2	16.25	13.50
YCG48B21S	TM8V100C20MP12C	21.0	CF/CM/CU60C	1325	45.0	33.2	16.00	13.25
YCG48B21S	TM8V100C20MP12C	21.0	CF/CM/CU60D	1475	46.5	35.8	16.25	13.50
YCG48B21S	TM8V100C20MP12C	21.0	CF/CM64D	1425	47.0	35.6	16.25	13.25
YCG48B21S	TM8V100C20MP12C	21.0	XAF/XAUC48F	1300	45.0	30.6	15.75	13.00
YCG48B21S	TM8V100C20MP12C	21.0	XAF/XAUC60G	1300	45.0	31.4	16.00	13.25
YCG48B21S	TM8V100C20MP12C	24.5	XAF/XAUD60G	1300	46.0	31.4	16.25	13.25
YCG48B21S	TM8V100C20MP12C	24.5	XAFD48F	1300	45.0	30.6	15.75	13.00
YCG48B21S	TM8V100C20MP12C	21.0	XAHC48F	1300	45.0	30.6	15.75	13.00
YCG48B21S	TM8V100C20MP12C	21.0	XAHC60G	1325	45.0	31.6	16.00	13.25
YCG48B21S	TM8V100C20MP12C	24.5	XAHD48F	1300	45.0	30.6	15.75	13.00
YCG48B21S	TM8V100C20MP12C	21.0	XAHD60G	1300	46.0	31.4	16.00	13.25
YCG48B21S	TM8V120C20MP12C	21.0	CF/CM/CU48C	1425	45.0	34.0	15.75	13.00
YCG48B21S	TM8V120C20MP12C	21.0	CF/CM/CU48D	1475	46.0	35.2	16.25	13.50
YCG48B21S	TM8V120C20MP12C	21.0	CF/CM/CU60C	1325	45.0	33.2	16.00	13.25
YCG48B21S	TM8V120C20MP12C	21.0	CF/CM/CU60D	1475	46.5	35.8	16.25	13.50
YCG48B21S	TM8V120C20MP12C	21.0	CF/CM64D	1425	47.0	35.6	16.25	13.25
YCG48B21S	TM8V120C20MP12C	21.0	XAF/XAUC48F	1300	45.0	30.6	15.75	13.00
YCG48B21S	TM8V120C20MP12C	21.0	XAF/XAUC60G	1300	45.0	31.4	16.00	13.25
YCG48B21S	TM8V120C20MP12C	24.5	XAF/XAUD60G	1300	46.0	31.4	16.25	13.25
YCG48B21S	TM8V120C20MP12C	24.5	XAFD48F	1300	45.0	30.6	15.75	13.00
YCG48B21S	TM8V120C20MP12C	21.0	XAHC48F	1300	45.0	30.6	15.75	13.00
YCG48B21S	TM8V120C20MP12C	21.0	XAHC60G	1325	45.0	31.6	16.00	13.25
YCG48B21S	TM8V120C20MP12C	24.5	XAHD48F	1300	45.0	30.6	15.75	13.00
YCG48B21S	TM8V120C20MP12C	21.0	XAHD60G	1300	46.0	31.4	16.00	13.25
YCG48B21S	TM8X080C16MP11	21.0	CF/CM/CU48C	1350	44.5	33.0	15.75	13.00
YCG48B21S	TM8X080C16MP11	21.0	CF/CM/CU48D	1375	45.0	33.6	15.75	13.00
YCG48B21S	TM8X080C16MP11	21.0	CF/CM/CU60C	1350	45.0	33.6	16.00	13.25
YCG48B21S	TM8X080C16MP11	21.0	CF/CM/CU60D	1375	45.5	34.2	16.00	13.25
YCG48B21S	TM8X080C16MP11	21.0	CF/CM64D	1350	45.5	33.6	16.25	13.50
YCG48B21S	TM8X100C16MP11	21.0	CF/CM/CU48C	1350	44.5	33.0	15.75	13.00
YCG48B21S	TM8X100C16MP11	21.0	CF/CM/CU48D	1375	45.0	33.6	15.75	13.00
YCG48B21S	TM8X100C16MP11	21.0	CF/CM/CU60C	1350	45.0	33.6	16.00	13.25
YCG48B21S	TM8X100C16MP11	21.0	CF/CM/CU60D	1375	45.5	34.2	16.00	13.25
YCG48B21S	TM8X100C16MP11	21.0	CF/CM64D	1350	45.5	33.6	16.25	13.50
YCG48B21S	TM8X100C20MP11	21.0	CF/CM/CU48C	1375	45.0	33.4	16.00	13.25
YCG48B21S	TM8X100C20MP11	21.0	CF/CM/CU48D	1400	45.0	33.8	16.25	13.50

COOLING CAPACITY - With High Efficiency Motor Furnaces¹ (Continued)

UNIT MODEL	FURNACE		COIL MODEL ²	COOLING				
	MODEL	WIDTH		RATED CFM	NET MBH		SEER	EER
					TOTAL	SENS.		
YCG48B21S	TM8X100C20MP11	21.0	CF/CM/CU60C	1375	45.5	34.2	16.25	13.50
YCG48B21S	TM8X100C20MP11	21.0	CF/CM/CU60D	1400	46.0	34.6	16.50	13.50
YCG48B21S	TM8X100C20MP11	21.0	CF/CM64D	1375	46.5	34.8	16.50	13.75
YCG48B21S	TM8X120C20MP11	21.0	CF/CM/CU48C	1375	45.0	33.4	16.00	13.25
YCG48B21S	TM8X120C20MP11	21.0	CF/CM/CU48D	1400	45.0	33.8	16.25	13.50
YCG48B21S	TM8X120C20MP11	21.0	CF/CM/CU60C	1375	45.5	34.2	16.25	13.50
YCG48B21S	TM8X120C20MP11	21.0	CF/CM/CU60D	1400	46.0	34.6	16.50	13.50
YCG48B21S	TM8X120C20MP11	21.0	CF/CM64D	1375	46.5	34.8	16.50	13.75
YCG48B21S	TM8Y080C16MP11	21.0	CF/CM/CU48C	1350	44.5	33.0	15.75	13.00
YCG48B21S	TM8Y080C16MP11	21.0	CF/CM/CU48D	1375	45.0	33.6	15.75	13.00
YCG48B21S	TM8Y080C16MP11	21.0	CF/CM/CU60C	1350	45.0	33.6	16.00	13.25
YCG48B21S	TM8Y080C16MP11	21.0	CF/CM/CU60D	1375	45.5	34.2	16.00	13.25
YCG48B21S	TM8Y080C16MP11	21.0	CF/CM64D	1350	45.5	33.6	16.25	13.50
YCG48B21S	TM8Y080C16MP11	21.0	XAF/XAUC48F	1350	45.0	31.0	15.50	12.75
YCG48B21S	TM8Y080C16MP11	21.0	XAF/XAUC60G	1375	46.0	32.0	15.75	13.00
YCG48B21S	TM8Y080C16MP11	24.5	XAF/XAUD60G	1375	46.0	32.0	15.75	13.00
YCG48B21S	TM8Y080C16MP11	24.5	XAFD48F	1350	45.0	31.0	15.50	12.75
YCG48B21S	TM8Y080C16MP11	21.0	XAHC48F	1350	45.0	31.0	15.50	12.75
YCG48B21S	TM8Y080C16MP11	21.0	XAHC60G	1375	46.0	32.0	15.75	13.00
YCG48B21S	TM8Y080C16MP11	24.5	XAHD48F	1350	45.0	31.0	15.50	12.75
YCG48B21S	TM8Y080C16MP11	21.0	XAHD60G	1350	46.0	31.8	15.75	13.00
YCG48B21S	TM8Y100C16MP11	21.0	CF/CM/CU48C	1350	44.5	33.0	15.75	13.00
YCG48B21S	TM8Y100C16MP11	21.0	CF/CM/CU48D	1375	45.0	33.6	15.75	13.00
YCG48B21S	TM8Y100C16MP11	21.0	CF/CM/CU60C	1350	45.0	33.6	16.00	13.25
YCG48B21S	TM8Y100C16MP11	21.0	CF/CM/CU60D	1375	45.5	34.2	16.00	13.25
YCG48B21S	TM8Y100C16MP11	21.0	CF/CM64D	1350	45.5	33.6	16.25	13.50
YCG48B21S	TM8Y100C16MP11	21.0	XAF/XAUC48F	1350	45.0	31.0	15.50	12.75
YCG48B21S	TM8Y100C16MP11	21.0	XAF/XAUC60G	1375	46.0	32.0	15.75	13.00
YCG48B21S	TM8Y100C16MP11	24.5	XAF/XAUD60G	1375	46.0	32.0	15.75	13.00
YCG48B21S	TM8Y100C16MP11	24.5	XAFD48F	1350	45.0	31.0	15.50	12.75
YCG48B21S	TM8Y100C16MP11	21.0	XAHC48F	1350	45.0	31.0	15.50	12.75
YCG48B21S	TM8Y100C16MP11	21.0	XAHC60G	1375	46.0	32.0	15.75	13.00
YCG48B21S	TM8Y100C16MP11	24.5	XAHD48F	1350	45.0	31.0	15.50	12.75
YCG48B21S	TM8Y100C16MP11	21.0	XAHD60G	1350	46.0	31.8	15.75	13.00
YCG48B21S	TM8Y100C20MP11	21.0	CF/CM/CU48C	1375	45.0	33.4	16.00	13.25
YCG48B21S	TM8Y100C20MP11	21.0	CF/CM/CU48D	1400	45.0	33.8	16.25	13.50
YCG48B21S	TM8Y100C20MP11	21.0	CF/CM/CU60C	1375	45.5	34.2	16.25	13.50
YCG48B21S	TM8Y100C20MP11	21.0	CF/CM/CU60D	1400	46.0	34.6	16.50	13.50
YCG48B21S	TM8Y100C20MP11	21.0	CF/CM64D	1375	46.5	34.8	16.50	13.75
YCG48B21S	TM8Y100C20MP11	21.0	XAF/XAUC48F	1350	45.0	31.0	15.75	13.00
YCG48B21S	TM8Y100C20MP11	21.0	XAF/XAUC60G	1375	46.0	32.0	16.00	13.25
YCG48B21S	TM8Y100C20MP11	24.5	XAF/XAUD60G	1375	46.0	32.0	16.00	13.25
YCG48B21S	TM8Y100C20MP11	24.5	XAFD48F	1350	45.0	31.0	15.75	13.00
YCG48B21S	TM8Y100C20MP11	21.0	XAHC48F	1350	45.0	31.0	15.75	13.00
YCG48B21S	TM8Y100C20MP11	21.0	XAHC60G	1375	46.0	32.0	16.00	13.25
YCG48B21S	TM8Y100C20MP11	24.5	XAHD48F	1350	45.0	31.0	15.75	13.00
YCG48B21S	TM8Y100C20MP11	21.0	XAHD60G	1350	46.0	31.8	16.00	13.25
YCG48B21S	TM8Y120C20MP11	21.0	CF/CM/CU48C	1375	45.0	33.4	16.00	13.25
YCG48B21S	TM8Y120C20MP11	21.0	CF/CM/CU48D	1400	45.0	33.8	16.25	13.50
YCG48B21S	TM8Y120C20MP11	21.0	CF/CM/CU60C	1375	45.5	34.2	16.25	13.50
YCG48B21S	TM8Y120C20MP11	21.0	CF/CM/CU60D	1400	46.0	34.6	16.50	13.50
YCG48B21S	TM8Y120C20MP11	21.0	CF/CM64D	1375	46.5	34.8	16.50	13.75
YCG48B21S	TM8Y120C20MP11	21.0	XAF/XAUC48F	1350	45.0	31.0	15.75	13.00
YCG48B21S	TM8Y120C20MP11	21.0	XAF/XAUC60G	1375	46.0	32.0	16.00	13.25
YCG48B21S	TM8Y120C20MP11	24.5	XAF/XAUD60G	1375	46.0	32.0	16.00	13.25
YCG48B21S	TM8Y120C20MP11	24.5	XAFD48F	1350	45.0	31.0	15.75	13.00
YCG48B21S	TM8Y120C20MP11	21.0	XAHC48F	1350	45.0	31.0	15.75	13.00
YCG48B21S	TM8Y120C20MP11	21.0	XAHC60G	1375	46.0	32.0	16.00	13.25
YCG48B21S	TM8Y120C20MP11	24.5	XAHD48F	1350	45.0	31.0	15.75	13.00
YCG48B21S	TM8Y120C20MP11	21.0	XAHD60G	1350	46.0	31.8	16.00	13.25
YCG48B21S	TM9E080B12MP12	17.5	CF/CM/CU48C	1325	44.5	32.8	15.00	12.50
YCG48B21S	TM9E080B12MP12	17.5	CF/CM/CU60C	1325	45.0	33.2	14.75	12.25
YCG48B21S	TM9E080C16MP11	21.0	CF/CM/CU48C	1250	45.0	32.4	15.50	13.00
YCG48B21S	TM9E080C16MP11	21.0	CF/CM/CU48D	1250	45.0	32.4	15.75	13.00

COOLING CAPACITY - With High Efficiency Motor Furnaces¹ (Continued)

UNIT MODEL	FURNACE		COIL MODEL ²	COOLING				
	MODEL	WIDTH		RATED CFM	NET MBH		SEER	EER
					TOTAL	SENS.		
YCG48B21S	TM9E080C16MP11	21.0	CF/CM/CU60C	1250	44.5	32.0	15.75	13.00
YCG48B21S	TM9E080C16MP11	21.0	CF/CM/CU60D	1250	45.5	32.8	16.00	13.25
YCG48B21S	TM9E080C16MP11	21.0	CF/CM64D	1250	46.0	33.2	16.25	13.25
YCG48B21S	TM9E080C20MP12	21.0	CF/CM/CU48C	1400	45.5	34.2	16.00	13.00
YCG48B21S	TM9E080C20MP12	21.0	CF/CM/CU48D	1425	45.5	34.4	16.00	13.25
YCG48B21S	TM9E080C20MP12	21.0	CF/CM/CU60C	1400	45.5	34.0	15.75	13.00
YCG48B21S	TM9E080C20MP12	21.0	CF/CM/CU60D	1425	46.0	34.6	15.75	13.00
YCG48B21S	TM9E080C20MP12	21.0	CF/CM64D	1400	46.5	34.8	16.25	13.50
YCG48B21S	TM9E080C20MP12	21.0	XAF/XAUC48F	1375	45.0	31.2	15.50	12.75
YCG48B21S	TM9E080C20MP12	21.0	XAF/XAUC60G	1400	45.5	32.2	15.75	13.00
YCG48B21S	TM9E080C20MP12	24.5	XAF/XAUD60G	1400	46.0	32.2	15.75	13.00
YCG48B21S	TM9E080C20MP12	24.5	XAFD48F	1400	45.5	31.6	15.75	13.00
YCG48B21S	TM9E080C20MP12	21.0	XAHC48F	1375	45.0	31.2	15.75	13.00
YCG48B21S	TM9E080C20MP12	21.0	XAHC60G	1400	45.5	32.4	15.75	13.00
YCG48B21S	TM9E080C20MP12	24.5	XAHD48F	1375	45.0	31.2	15.75	13.00
YCG48B21S	TM9E080C20MP12	21.0	XAHD60G	1375	46.0	32.0	15.75	13.00
YCG48B21S	TM9E100C16MP11	21.0	CF/CM/CU48C	1400	45.0	33.8	15.50	13.00
YCG48B21S	TM9E100C16MP11	21.0	CF/CM/CU48D	1400	45.0	33.8	15.75	13.00
YCG48B21S	TM9E100C16MP11	21.0	CF/CM/CU60C	1400	45.5	34.2	15.75	13.00
YCG48B21S	TM9E100C16MP11	21.0	CF/CM/CU60D	1425	45.5	34.8	16.00	13.25
YCG48B21S	TM9E100C16MP11	21.0	CF/CM64D	1400	46.0	34.4	16.00	13.25
YCG48B21S	TM9E100C16MP12	21.0	CF/CM/CU60D	1600	46.0	36.2	14.50	12.25
YCG48B21S	TM9E100C20MP11	21.0	CF/CM/CU48C	1350	44.5	33.0	16.00	13.25
YCG48B21S	TM9E100C20MP11	21.0	CF/CM/CU48D	1350	44.5	33.0	16.00	13.25
YCG48B21S	TM9E100C20MP11	21.0	CF/CM/CU60C	1325	45.0	33.2	16.00	13.25
YCG48B21S	TM9E100C20MP11	21.0	CF/CM/CU60D	1350	45.0	33.6	16.00	13.25
YCG48B21S	TM9E100C20MP11	21.0	CF/CM64D	1350	46.0	34.0	16.25	13.50
YCG48B21S	TM9E100C20MP12	21.0	CF/CM/CU48C	1400	45.5	34.2	16.00	13.25
YCG48B21S	TM9E100C20MP12	21.0	CF/CM/CU48D	1425	45.5	34.4	16.00	13.25
YCG48B21S	TM9E100C20MP12	21.0	CF/CM/CU60C	1400	45.5	34.0	16.00	13.25
YCG48B21S	TM9E100C20MP12	21.0	CF/CM/CU60D	1425	46.0	34.6	16.00	13.25
YCG48B21S	TM9E100C20MP12	21.0	CF/CM64D	1400	46.5	34.8	16.50	13.50
YCG48B21S	TM9E100C20MP12	21.0	XAF/XAUC48F	1375	45.0	31.2	15.75	13.00
YCG48B21S	TM9E100C20MP12	21.0	XAF/XAUC60G	1400	45.5	32.4	16.00	13.25
YCG48B21S	TM9E100C20MP12	24.5	XAF/XAUD60G	1400	46.0	32.4	16.00	13.25
YCG48B21S	TM9E100C20MP12	24.5	XAFD48F	1375	45.0	31.2	15.75	13.00
YCG48B21S	TM9E100C20MP12	21.0	XAHC48F	1375	45.0	31.2	15.75	13.00
YCG48B21S	TM9E100C20MP12	21.0	XAHC60G	1400	45.5	32.4	16.00	13.25
YCG48B21S	TM9E100C20MP12	24.5	XAHD48F	1375	45.0	31.2	15.75	13.00
YCG48B21S	TM9E100C20MP12	21.0	XAHD60G	1375	46.0	32.0	16.00	13.25
YCG48B21S	TM9E120D20MP11	24.5	CF/CM/CU48D	1400	45.5	34.2	16.20	13.25
YCG48B21S	TM9E120D20MP11	24.5	CF/CM/CU60D	1400	46.0	34.6	16.50	13.50
YCG48B21S	TM9E120D20MP11	24.5	CF/CM64D	1375	46.0	34.4	16.50	13.75
YCG48B21S	TM9E120D20MP12	24.5	CF/CM/CU48D	1450	45.5	34.6	16.00	13.00
YCG48B21S	TM9E120D20MP12	24.5	CF/CM/CU60D	1450	46.0	35.0	15.75	13.00
YCG48B21S	TM9E120D20MP12	24.5	CF/CM64D	1450	47.0	35.8	16.25	13.50
YCG48B21S	TM9E120D20MP12	24.5	XAF/XAUD60G	1425	46.0	32.8	15.75	13.00
YCG48B21S	TM9E120D20MP12	24.5	XAFD48F	1425	45.5	31.8	15.50	12.75
YCG48B21S	TM9E120D20MP12	24.5	XAHD48F	1400	45.0	31.4	15.50	12.75
YCG48B21S	TM9E120D20MP12	21.0	XAHD60G	1400	46.0	32.2	15.75	13.00
YCG48B21S	TM9V080C16MP11C	21.0	CF/CM/CU48C	1300	45.0	32.8	15.75	13.00
YCG48B21S	TM9V080C16MP11C	21.0	CF/CM/CU48D	1300	45.5	33.4	16.00	13.25
YCG48B21S	TM9V080C16MP11C	21.0	CF/CM/CU60C	1300	45.0	33.0	15.75	13.00
YCG48B21S	TM9V080C16MP11C	21.0	CF/CM/CU60D	1300	45.0	33.0	15.75	13.00
YCG48B21S	TM9V080C16MP11C	21.0	CF/CM64D	1300	46.5	34.0	16.25	13.50
YCG48B21S	TM9V080C16MP12C	21.0	CF/CM/CU48C	1300	45.0	32.8	15.75	13.00
YCG48B21S	TM9V080C16MP12C	21.0	CF/CM/CU48D	1300	45.5	33.4	16.00	13.25
YCG48B21S	TM9V080C16MP12C	21.0	CF/CM/CU60C	1300	45.0	33.0	15.75	13.00
YCG48B21S	TM9V080C16MP12C	21.0	CF/CM/CU60D	1300	45.0	33.0	15.75	13.00
YCG48B21S	TM9V080C16MP12C	21.0	CF/CM64D	1300	46.5	34.0	16.25	13.50
YCG48B21S	TM9V080C16MP12C	21.0	XAF/XAUC60G	1300	45.0	31.4	15.75	13.00
YCG48B21S	TM9V080C16MP12C	24.5	XAF/XAUD60G	1300	45.0	31.2	15.75	13.00
YCG48B21S	TM9V080C16MP12C	24.5	XAFD48F	1375	45.0	31.4	15.00	12.50
YCG48B21S	TM9V080C16MP12C	21.0	XAHC60G	1300	45.0	31.2	15.75	13.00

COOLING CAPACITY - With High Efficiency Motor Furnaces¹ (Continued)

UNIT MODEL	FURNACE		COIL MODEL ²	COOLING				
	MODEL	WIDTH		RATED CFM	NET MBH		SEER	EER
					TOTAL	SENS.		
YCG48B21S	TM9V080C16MP12C	21.0	XAHD60G	1300	45.0	31.4	15.50	12.75
YCG48B21S	TM9V100C16MP12C	21.0	CF/CM/CU48C	1475	45.5	34.8	15.75	13.00
YCG48B21S	TM9V100C16MP12C	21.0	CF/CM/CU48D	1475	46.0	35.0	16.00	13.25
YCG48B21S	TM9V100C16MP12C	21.0	CF/CM/CU60C	1475	46.5	35.8	16.00	13.25
YCG48B21S	TM9V100C16MP12C	21.0	CF/CM/CU60D	1475	46.5	35.8	16.00	13.25
YCG48B21S	TM9V100C16MP12C	21.0	CF/CM64D	1475	47.0	36.0	16.50	13.50
YCG48B21S	TM9V100C16MP12C	21.0	XAF/XAUC48F	1325	45.0	31.0	15.50	12.75
YCG48B21S	TM9V100C16MP12C	21.0	XAF/XAUC60G	1325	46.0	31.6	16.00	13.25
YCG48B21S	TM9V100C16MP12C	24.5	XAF/XAUD60G	1325	46.0	31.6	16.00	13.25
YCG48B21S	TM9V100C16MP12C	24.5	XAFD48F	1325	45.0	31.0	15.50	12.75
YCG48B21S	TM9V100C16MP12C	21.0	XAHC48F	1325	45.0	31.0	15.50	12.75
YCG48B21S	TM9V100C16MP12C	21.0	XAHC60G	1325	46.0	31.6	16.00	13.25
YCG48B21S	TM9V100C16MP12C	24.5	XAHD48F	1325	45.0	31.0	15.50	12.75
YCG48B21S	TM9V100C16MP12C	21.0	XAHD60G	1325	45.5	31.4	15.75	13.00
YCG48B21S	TM9V100C20MP12C	21.0	CF/CM/CU48C	1475	45.5	34.8	15.25	12.75
YCG48B21S	TM9V100C20MP12C	21.0	CF/CM/CU48D	1475	45.5	34.8	15.75	13.00
YCG48B21S	TM9V100C20MP12C	21.0	CF/CM/CU60C	1475	46.5	35.8	15.75	13.00
YCG48B21S	TM9V100C20MP12C	21.0	CF/CM/CU60D	1475	46.5	35.8	16.25	13.50
YCG48B21S	TM9V100C20MP12C	21.0	CF/CM64D	1475	47.0	36.0	16.50	13.50
YCG48B21S	TM9V100C20MP12C	21.0	XAF/XAUC48F	1350	45.0	31.2	15.25	12.75
YCG48B21S	TM9V100C20MP12C	21.0	XAF/XAUC60G	1350	46.0	31.8	15.75	13.00
YCG48B21S	TM9V100C20MP12C	24.5	XAF/XAUD60G	1350	46.0	31.8	15.75	13.00
YCG48B21S	TM9V100C20MP12C	24.5	XAFD48F	1350	45.0	31.2	15.50	12.75
YCG48B21S	TM9V100C20MP12C	21.0	XAHC48F	1350	45.0	31.2	15.25	12.75
YCG48B21S	TM9V100C20MP12C	21.0	XAHC60G	1350	46.0	31.8	15.75	13.00
YCG48B21S	TM9V100C20MP12C	24.5	XAHD48F	1350	45.0	31.2	15.50	12.75
YCG48B21S	TM9V100C20MP12C	21.0	XAHD60G	1300	45.5	31.2	15.75	13.00
YCG48B21S	TM9V120D20MP12C	24.5	CF/CM/CU48D	1400	45.0	33.8	16.20	13.25
YCG48B21S	TM9V120D20MP12C	24.5	CF/CM/CU60D	1400	46.0	34.6	16.50	13.50
YCG48B21S	TM9V120D20MP12C	24.5	CF/CM64D	1400	46.5	34.8	16.50	13.25
YCG48B21S	TM9V120D20MP12C	24.5	XAF/XAUD60G	1300	46.0	31.4	16.00	13.25
YCG48B21S	TM9V120D20MP12C	24.5	XAFD48F	1300	45.0	30.6	15.75	13.00
YCG48B21S	TM9V120D20MP12C	24.5	XAHD48F	1300	45.0	30.6	15.75	13.00
YCG48B21S	TM9V120D20MP12C	21.0	XAHD60G	1300	46.0	31.4	16.00	13.25
YCG48B21S	TM9Y080C16MP11	21.0	CF/CM/CU48C	1250	45.0	32.4	15.50	13.00
YCG48B21S	TM9Y080C16MP11	21.0	CF/CM/CU48D	1250	45.0	32.4	15.75	13.00
YCG48B21S	TM9Y080C16MP11	21.0	CF/CM/CU60C	1250	44.5	32.0	15.75	13.00
YCG48B21S	TM9Y080C16MP11	21.0	CF/CM/CU60D	1250	45.5	32.8	16.00	13.25
YCG48B21S	TM9Y080C16MP11	21.0	CF/CM64D	1250	46.0	33.2	16.25	13.25
YCG48B21S	TM9Y080C16MP11	21.0	XAF/XAUC60G	1375	45.5	31.8	15.25	12.50
YCG48B21S	TM9Y080C16MP11	24.5	XAF/XAUD60G	1375	45.5	31.8	15.25	12.50
YCG48B21S	TM9Y080C16MP11	21.0	XAHC60G	1375	45.5	31.8	15.25	12.50
YCG48B21S	TM9Y080C16MP11	21.0	XAHD60G	1375	45.5	31.8	15.25	12.50
YCG48B21S	TM9Y100C16MP11	21.0	CF/CM/CU48C	1400	45.0	33.8	15.50	13.00
YCG48B21S	TM9Y100C16MP11	21.0	CF/CM/CU48D	1400	45.0	33.8	15.75	13.00
YCG48B21S	TM9Y100C16MP11	21.0	CF/CM/CU60C	1400	45.5	34.2	15.75	13.00
YCG48B21S	TM9Y100C16MP11	21.0	CF/CM/CU60D	1425	45.5	34.8	16.00	13.25
YCG48B21S	TM9Y100C16MP11	21.0	CF/CM64D	1400	46.0	34.4	16.00	13.25
YCG48B21S	TM9Y100C16MP11	21.0	XAF/XAUC48F	1375	45.0	31.4	15.00	12.25
YCG48B21S	TM9Y100C16MP11	21.0	XAF/XAUC60G	1400	46.0	32.4	15.25	12.50
YCG48B21S	TM9Y100C16MP11	24.5	XAF/XAUD60G	1400	46.0	32.4	15.25	12.50
YCG48B21S	TM9Y100C16MP11	24.5	XAFD48F	1375	45.0	31.4	15.00	12.50
YCG48B21S	TM9Y100C16MP11	21.0	XAHC48F	1375	45.0	31.4	15.00	12.25
YCG48B21S	TM9Y100C16MP11	21.0	XAHC60G	1400	45.5	32.4	15.25	12.50
YCG48B21S	TM9Y100C16MP11	24.5	XAHD48F	1375	45.0	31.4	15.00	12.50
YCG48B21S	TM9Y100C16MP11	21.0	XAHD60G	1375	45.5	31.8	15.25	12.50
YCG48B21S	TM9Y100C20MP11	21.0	CF/CM/CU48C	1350	44.5	33.0	16.00	13.25
YCG48B21S	TM9Y100C20MP11	21.0	CF/CM/CU48D	1350	44.5	33.0	16.00	13.25
YCG48B21S	TM9Y100C20MP11	21.0	CF/CM/CU60C	1325	45.0	33.2	16.00	13.25
YCG48B21S	TM9Y100C20MP11	21.0	CF/CM/CU60D	1350	45.0	33.6	16.00	13.25
YCG48B21S	TM9Y100C20MP11	21.0	CF/CM64D	1350	46.0	34.0	16.25	13.50
YCG48B21S	TM9Y100C20MP11	21.0	XAF/XAUC48F	1525	45.5	32.8	14.50	12.25
YCG48B21S	TM9Y100C20MP11	21.0	XAF/XAUC60G	1325	46.0	31.8	15.75	13.00
YCG48B21S	TM9Y100C20MP11	24.5	XAF/XAUD60G	1325	46.0	31.8	15.75	13.00
YCG48B21S	TM9Y100C20MP11	24.5	XAFD48F	1325	45.0	31.0	15.50	12.75

COOLING CAPACITY - With High Efficiency Motor Furnaces¹ (Continued)

UNIT MODEL	FURNACE		COIL MODEL ²	COOLING				
	MODEL	WIDTH		RATED CFM	NET MBH		SEER	EER
					TOTAL	SENS.		
YCG48B21S	TM9Y100C20MP11	21.0	XAHC48F	1325	45.0	31.0	15.50	12.75
YCG48B21S	TM9Y100C20MP11	21.0	XAHC60G	1350	46.0	31.8	15.75	13.00
YCG48B21S	TM9Y100C20MP11	24.5	XAHD48F	1325	45.0	31.0	15.50	12.75
YCG48B21S	TM9Y100C20MP11	21.0	XAHD60G	1300	45.5	31.2	15.75	13.00
YCG48B21S	TM9Y120D20MP11	24.5	CF/CM/CU48D	1400	45.5	34.2	16.20	13.25
YCG48B21S	TM9Y120D20MP11	24.5	CF/CM/CU60D	1400	46.0	34.6	16.50	13.50
YCG48B21S	TM9Y120D20MP11	24.5	CF/CM64D	1375	46.0	34.4	16.50	13.75
YCG48B21S	TM9Y120D20MP11	24.5	XAF/XAUD60G	1375	46.0	32.0	16.00	13.25
YCG48B21S	TM9Y120D20MP11	24.5	XAFD48F	1375	45.0	31.2	15.75	13.00
YCG48B21S	TM9Y120D20MP11	24.5	XAHD48F	1350	45.0	31.0	15.50	12.75
YCG48B21S	TM9Y120D20MP11	21.0	XAHD60G	1350	46.0	31.8	16.00	13.00
YCG48B21S	TMLE080C16MP11	21.0	XAF/XAUC48F	1550	44.0	33.0	14.50	12.25
YCG48B21S	TMLE080C16MP11	21.0	XAF/XAUC60G	1575	46.0	34.0	15.00	12.50
YCG48B21S	TMLE080C16MP11	24.5	XAF/XAUD60G	1575	46.0	34.0	15.00	12.50
YCG48B21S	TMLE080C16MP11	24.5	XAFD48F	1575	44.5	33.0	14.50	12.25
YCG48B21S	TMLE080C16MP11	21.0	XAHC48F	1550	44.0	33.0	14.50	12.25
YCG48B21S	TMLE080C16MP11	21.0	XAHC60G	1575	46.0	34.0	15.00	12.50
YCG48B21S	TMLE080C16MP11	24.5	XAHD48F	1575	44.5	33.0	14.50	12.25
YCG48B21S	TMLE080C16MP11	21.0	XAHD60G	1550	46.0	33.8	15.00	12.50
YCG48B21S	TMLE080C20MP11	21.0	XAF/XAUC48F	1425	45.5	31.8	15.50	12.75
YCG48B21S	TMLE080C20MP11	21.0	XAF/XAUC60G	1450	46.0	32.8	15.75	13.00
YCG48B21S	TMLE080C20MP11	24.5	XAF/XAUD60G	1450	46.0	32.8	15.75	13.00
YCG48B21S	TMLE080C20MP11	24.5	XAFD48F	1425	45.5	31.8	15.75	13.00
YCG48B21S	TMLE080C20MP11	21.0	XAHC48F	1425	45.5	31.8	15.75	13.00
YCG48B21S	TMLE080C20MP11	21.0	XAHC60G	1450	46.0	32.8	15.75	13.00
YCG48B21S	TMLE080C20MP11	24.5	XAHD48F	1425	45.5	31.8	15.75	13.00
YCG48B21S	TMLE080C20MP11	21.0	XAHD60G	1425	46.0	32.6	15.75	13.00
YCG48B21S	TMLE100C16MP11	21.0	XAF/XAUC48F	1550	45.0	33.0	14.75	12.25
YCG48B21S	TMLE100C16MP11	21.0	XAF/XAUC60G	1575	46.0	34.0	15.00	12.50
YCG48B21S	TMLE100C16MP11	24.5	XAF/XAUD60G	1575	45.0	34.0	15.25	12.75
YCG48B21S	TMLE100C16MP11	24.5	XAFD48F	1575	45.0	33.0	15.00	12.25
YCG48B21S	TMLE100C16MP11	21.0	XAHC48F	1550	45.0	33.0	14.75	12.25
YCG48B21S	TMLE100C16MP11	21.0	XAHC60G	1300	45.5	31.4	15.75	12.75
YCG48B21S	TMLE100C16MP11	24.5	XAHD48F	1550	45.0	33.0	14.75	12.25
YCG48B21S	TMLE100C16MP11	21.0	XAHD60G	1550	45.0	33.8	15.25	12.50
YCG48B21S	TMLE100C20MP11	21.0	XAF/XAUC48F	1400	45.0	31.4	15.50	12.75
YCG48B21S	TMLE100C20MP11	21.0	XAF/XAUC60G	1425	45.5	32.6	16.00	13.00
YCG48B21S	TMLE100C20MP11	24.5	XAF/XAUD60G	1425	46.0	32.6	15.75	13.00
YCG48B21S	TMLE100C20MP11	24.5	XAFD48F	1400	45.0	31.4	15.75	13.00
YCG48B21S	TMLE100C20MP11	21.0	XAHC48F	1400	45.0	31.4	15.50	12.75
YCG48B21S	TMLE100C20MP11	21.0	XAHC60G	1425	45.5	32.6	16.00	13.00
YCG48B21S	TMLE100C20MP11	24.5	XAHD48F	1400	45.0	31.4	15.75	13.00
YCG48B21S	TMLE100C20MP11	21.0	XAHD60G	1400	46.0	32.2	15.75	13.00
YCG48B21S	TMLE120C16MP11	21.0	XAF/XAUC48F	1550	45.0	33.0	15.00	12.25
YCG48B21S	TMLE120C16MP11	21.0	XAF/XAUC60G	1575	45.0	34.0	15.25	12.75
YCG48B21S	TMLE120C16MP11	24.5	XAF/XAUD60G	1575	45.5	34.0	15.25	12.75
YCG48B21S	TMLE120C16MP11	24.5	XAFD48F	1575	45.0	33.0	14.50	12.25
YCG48B21S	TMLE120C16MP11	21.0	XAHC48F	1550	45.0	33.0	15.00	12.25
YCG48B21S	TMLE120C16MP11	21.0	XAHC60G	1300	45.0	31.4	15.75	13.00
YCG48B21S	TMLE120C16MP11	24.5	XAHD48F	1575	45.0	33.0	14.50	12.25
YCG48B21S	TMLE120C16MP11	21.0	XAHD60G	1575	45.5	34.0	15.25	12.75
YCG48B21S	TMLE120C20MP11	21.0	XAF/XAUC48F	1400	45.0	31.4	15.75	13.00
YCG48B21S	TMLE120C20MP11	21.0	XAF/XAUC60G	1425	46.0	32.6	16.00	13.25
YCG48B21S	TMLE120C20MP11	24.5	XAF/XAUD60G	1425	45.0	32.6	16.00	13.25
YCG48B21S	TMLE120C20MP11	24.5	XAFD48F	1425	45.5	31.8	15.75	13.00
YCG48B21S	TMLE120C20MP11	21.0	XAHC48F	1400	45.0	31.4	15.75	13.00
YCG48B21S	TMLE120C20MP11	21.0	XAHC60G	1425	46.0	32.6	16.00	13.25
YCG48B21S	TMLE120C20MP11	24.5	XAHD48F	1400	45.0	31.4	15.75	13.00
YCG48B21S	TMLE120C20MP11	21.0	XAHD60G	1400	45.0	32.2	16.00	13.25
YCG48B21S	TMLE130D20MP11	24.5	XAF/XAUD60G	1400	46.0	32.4	16.00	13.25
YCG48B21S	TMLE130D20MP11	24.5	XAFD48F	1400	45.5	31.6	15.75	13.00
YCG48B21S	TMLE130D20MP11	24.5	XAHD48F	1400	45.5	31.6	15.75	13.00
YCG48B21S	TMLE130D20MP11	21.0	XAHD60G	1375	46.0	32.0	16.00	13.25
YCG48B21S	TMLV080C16MP12C	21.0	CF/CM/CU48C	1425	45.0	34.0	15.75	13.00
YCG48B21S	TMLV080C16MP12C	21.0	CF/CM/CU48D	1425	45.0	34.0	15.75	13.00

COOLING CAPACITY - With High Efficiency Motor Furnaces¹ (Continued)

UNIT MODEL	FURNACE		COIL MODEL ²	COOLING				
	MODEL	WIDTH		RATED CFM	NET MBH		SEER	EER
					TOTAL	SENS.		
YCG48B21S	TMLV080C16MP12C	21.0	CF/CM/CU60C	1425	45.5	34.8	16.00	13.25
YCG48B21S	TMLV080C16MP12C	21.0	CF/CM/CU60D	1425	46.0	35.0	16.00	13.50
YCG48B21S	TMLV080C16MP12C	21.0	CF/CM64D	1425	46.5	35.2	16.25	13.50
YCG48B21S	TMLV100C16MP12C	21.0	CF/CM/CU48C	1425	45.0	34.0	15.75	13.00
YCG48B21S	TMLV100C16MP12C	21.0	CF/CM/CU48D	1425	45.0	34.0	15.75	13.00
YCG48B21S	TMLV100C16MP12C	21.0	CF/CM/CU60C	1425	45.5	34.8	16.00	13.25
YCG48B21S	TMLV100C16MP12C	21.0	CF/CM/CU60D	1425	46.0	35.0	16.00	13.50
YCG48B21S	TMLV100C16MP12C	21.0	CF/CM64D	1425	46.5	35.2	16.25	13.50
YCG48B21S	TMLV100C16MP12C	21.0	XAF/XAUC48F	1375	45.0	31.4	15.25	12.50
YCG48B21S	TMLV100C16MP12C	21.0	XAF/XAUC60G	1375	45.5	32.0	15.75	13.00
YCG48B21S	TMLV100C16MP12C	24.5	XAF/XAUD60G	1375	46.0	32.0	15.75	13.00
YCG48B21S	TMLV100C16MP12C	24.5	XAFD48F	1375	45.0	31.2	15.25	12.75
YCG48B21S	TMLV100C16MP12C	21.0	XAHC48F	1375	45.0	31.4	15.25	12.50
YCG48B21S	TMLV100C16MP12C	21.0	XAHC60G	1375	45.5	32.0	15.75	13.00
YCG48B21S	TMLV100C16MP12C	24.5	XAHD48F	1375	45.0	31.2	15.25	12.50
YCG48B21S	TMLV100C16MP12C	21.0	XAHD60G	1375	46.0	32.2	15.50	12.75
YCG48B21S	TMLV100C20MP12C	21.0	CF/CM/CU48C	1425	45.0	34.0	15.75	13.00
YCG48B21S	TMLV100C20MP12C	21.0	CF/CM/CU48D	1475	46.0	35.2	16.25	13.50
YCG48B21S	TMLV100C20MP12C	21.0	CF/CM/CU60C	1325	45.0	33.2	16.00	13.25
YCG48B21S	TMLV100C20MP12C	21.0	CF/CM/CU60D	1475	46.5	35.8	16.25	13.50
YCG48B21S	TMLV100C20MP12C	21.0	CF/CM64D	1425	47.0	35.6	16.25	13.25
YCG48B21S	TMLV120C20MP12C	21.0	CF/CM/CU48C	1425	45.0	34.0	15.75	13.00
YCG48B21S	TMLV120C20MP12C	21.0	CF/CM/CU48D	1475	46.0	35.2	16.25	13.50
YCG48B21S	TMLV120C20MP12C	21.0	CF/CM/CU60C	1325	45.0	33.2	16.00	13.25
YCG48B21S	TMLV120C20MP12C	21.0	CF/CM/CU60D	1475	46.5	35.8	16.25	13.50
YCG48B21S	TMLV120C20MP12C	21.0	CF/CM64D	1425	47.0	35.6	16.25	13.25
YCG48B21S	TMLV120C20MP12C	21.0	XAF/XAUC48F	1300	45.0	30.6	15.75	13.00
YCG48B21S	TMLV120C20MP12C	21.0	XAF/XAUC60G	1300	45.0	31.4	16.00	13.25
YCG48B21S	TMLV120C20MP12C	24.5	XAF/XAUD60G	1300	46.0	31.4	16.25	13.25
YCG48B21S	TMLV120C20MP12C	24.5	XAFD48F	1300	45.0	30.6	15.75	13.00
YCG48B21S	TMLV120C20MP12C	21.0	XAHC48F	1300	45.0	30.6	15.75	13.00
YCG48B21S	TMLV120C20MP12C	21.0	XAHC60G	1325	45.0	31.6	16.00	13.25
YCG48B21S	TMLV120C20MP12C	24.5	XAHD48F	1300	45.0	30.6	15.75	13.00
YCG48B21S	TMLV120C20MP12C	21.0	XAHD60G	1300	46.0	31.4	16.00	13.25
YCG48B21S	TMLX080C16MP11	21.0	CF/CM/CU48C	1350	44.5	33.0	15.75	13.00
YCG48B21S	TMLX080C16MP11	21.0	CF/CM/CU48D	1375	45.0	33.6	15.75	13.00
YCG48B21S	TMLX080C16MP11	21.0	CF/CM/CU60C	1350	45.0	33.6	16.00	13.25
YCG48B21S	TMLX080C16MP11	21.0	CF/CM/CU60D	1375	45.5	34.2	16.00	13.25
YCG48B21S	TMLX080C16MP11	21.0	CF/CM64D	1350	45.5	33.6	16.25	13.50
YCG48B21S	TMLX100C16MP11	21.0	CF/CM/CU48C	1350	44.5	33.0	15.75	13.00
YCG48B21S	TMLX100C16MP11	21.0	CF/CM/CU48D	1375	45.0	33.6	15.75	13.00
YCG48B21S	TMLX100C16MP11	21.0	CF/CM/CU60C	1350	45.0	33.6	16.00	13.25
YCG48B21S	TMLX100C16MP11	21.0	CF/CM/CU60D	1375	45.5	34.2	16.00	13.25
YCG48B21S	TMLX100C16MP11	21.0	CF/CM64D	1350	45.5	33.6	16.25	13.50
YCG48B21S	TMLX100C20MP11	21.0	CF/CM/CU48C	1375	45.0	33.4	16.00	13.25
YCG48B21S	TMLX100C20MP11	21.0	CF/CM/CU48D	1400	45.0	33.8	16.25	13.50
YCG48B21S	TMLX100C20MP11	21.0	CF/CM/CU60C	1375	45.5	34.2	16.25	13.50
YCG48B21S	TMLX100C20MP11	21.0	CF/CM/CU60D	1400	46.0	34.6	16.50	13.50
YCG48B21S	TMLX100C20MP11	21.0	CF/CM64D	1375	46.5	34.8	16.50	13.75
YCG48B21S	TMLX120C20MP11	21.0	CF/CM/CU48C	1375	45.0	33.4	16.00	13.25
YCG48B21S	TMLX120C20MP11	21.0	CF/CM/CU48D	1400	45.0	33.8	16.25	13.50
YCG48B21S	TMLX120C20MP11	21.0	CF/CM/CU60C	1375	45.5	34.2	16.25	13.50
YCG48B21S	TMLX120C20MP11	21.0	CF/CM/CU60D	1400	46.0	34.6	16.50	13.50
YCG48B21S	TMLX120C20MP11	21.0	CF/CM64D	1375	46.5	34.8	16.50	13.75
YCG48B21S	TP9C080C16MP13C	21.0	CF/CM/CU48C	1300	45.0	32.8	15.75	13.00
YCG48B21S	TP9C080C16MP13C	21.0	CF/CM/CU48D	1300	45.5	33.4	16.00	13.25
YCG48B21S	TP9C080C16MP13C	21.0	CF/CM/CU60C	1300	45.0	33.0	15.75	13.00
YCG48B21S	TP9C080C16MP13C	21.0	CF/CM/CU60D	1300	45.0	33.0	15.75	13.00
YCG48B21S	TP9C080C16MP13C	21.0	CF/CM64D	1300	46.5	34.0	16.25	13.50
YCG48B21S	TP9C080C16MP13C	21.0	XAF/XAUC60G	1300	45.0	31.4	15.75	13.00
YCG48B21S	TP9C080C16MP13C	24.5	XAF/XAUD60G	1300	45.0	31.2	15.75	13.00
YCG48B21S	TP9C080C16MP13C	24.5	XAFD48F	1375	45.0	31.4	15.00	12.50
YCG48B21S	TP9C080C16MP13C	21.0	XAHC60G	1300	45.0	31.2	15.75	13.00
YCG48B21S	TP9C080C16MP13C	21.0	XAHD60G	1300	45.0	31.4	15.50	12.75

COOLING CAPACITY - With High Efficiency Motor Furnaces¹ (Continued)

UNIT MODEL	FURNACE		COIL MODEL ²	COOLING				
	MODEL	WIDTH		RATED CFM	NET MBH		SEER	EER
					TOTAL	SENS.		
YCG48B21S	TP9C100C16MP13C	21.0	CF/CM/CU48C	1475	45.5	34.8	15.75	13.00
YCG48B21S	TP9C100C16MP13C	21.0	CF/CM/CU48D	1475	46.0	35.0	16.00	13.25
YCG48B21S	TP9C100C16MP13C	21.0	CF/CM/CU60C	1475	46.5	35.8	16.00	13.25
YCG48B21S	TP9C100C16MP13C	21.0	CF/CM/CU60D	1475	46.5	35.8	16.00	13.25
YCG48B21S	TP9C100C16MP13C	21.0	CF/CM64D	1475	47.0	36.0	16.50	13.50
YCG48B21S	TP9C100C16MP13C	21.0	XAF/XAUC48F	1325	45.0	31.0	15.50	12.75
YCG48B21S	TP9C100C16MP13C	21.0	XAF/XAUC60G	1325	46.0	31.6	16.00	13.25
YCG48B21S	TP9C100C16MP13C	24.5	XAF/XAUD60G	1325	46.0	31.6	16.00	13.25
YCG48B21S	TP9C100C16MP13C	24.5	XAFD48F	1325	45.0	31.0	15.50	12.75
YCG48B21S	TP9C100C16MP13C	21.0	XAHC48F	1325	45.0	31.0	15.50	12.75
YCG48B21S	TP9C100C16MP13C	21.0	XAHC60G	1325	46.0	31.6	16.00	13.25
YCG48B21S	TP9C100C16MP13C	24.5	XAHD48F	1325	45.0	31.0	15.50	12.75
YCG48B21S	TP9C100C16MP13C	21.0	XAHD60G	1325	45.5	31.4	15.75	13.00
YCG48B21S	TP9C100C20MP13C	21.0	CF/CM/CU48C	1475	45.5	34.8	15.25	12.75
YCG48B21S	TP9C100C20MP13C	21.0	CF/CM/CU48D	1475	45.5	34.8	15.75	13.00
YCG48B21S	TP9C100C20MP13C	21.0	CF/CM/CU60C	1475	46.5	35.8	15.75	13.00
YCG48B21S	TP9C100C20MP13C	21.0	CF/CM/CU60D	1475	46.5	35.8	16.25	13.50
YCG48B21S	TP9C100C20MP13C	21.0	CF/CM64D	1475	47.0	36.0	16.50	13.50
YCG48B21S	TP9C100C20MP13C	21.0	XAF/XAUC48F	1350	45.0	31.2	15.25	12.75
YCG48B21S	TP9C100C20MP13C	21.0	XAF/XAUC60G	1350	46.0	31.8	15.75	13.00
YCG48B21S	TP9C100C20MP13C	24.5	XAF/XAUD60G	1350	46.0	31.8	15.75	13.00
YCG48B21S	TP9C100C20MP13C	24.5	XAFD48F	1350	45.0	31.2	15.50	12.75
YCG48B21S	TP9C100C20MP13C	21.0	XAHC48F	1350	45.0	31.2	15.25	12.75
YCG48B21S	TP9C100C20MP13C	21.0	XAHC60G	1350	46.0	31.8	15.75	13.00
YCG48B21S	TP9C100C20MP13C	24.5	XAHD48F	1350	45.0	31.2	15.50	12.75
YCG48B21S	TP9C100C20MP13C	21.0	XAHD60G	1300	45.5	31.2	15.75	13.00
YCG48B21S	TP9C120D20MP13C	24.5	CF/CM/CU48D	1400	45.0	33.8	16.20	13.25
YCG48B21S	TP9C120D20MP13C	24.5	CF/CM/CU60D	1400	46.0	34.6	16.50	13.50
YCG48B21S	TP9C120D20MP13C	24.5	CF/CM64D	1400	46.5	34.8	16.50	13.25
YCG48B21S	TP9C120D20MP13C	24.5	XAF/XAUD60G	1300	46.0	31.4	16.00	13.25
YCG48B21S	TP9C120D20MP13C	24.5	XAFD48F	1300	45.0	30.6	15.75	13.00
YCG48B21S	TP9C120D20MP13C	24.5	XAHD48F	1300	45.0	30.6	15.75	13.00
YCG48B21S	TP9C120D20MP13C	21.0	XAHD60G	1300	46.0	31.4	16.00	13.25
YCG48B21S	TPLC080C16MP13C	21.0	CF/CM/CU48C	1425	45.0	34.0	15.75	13.00
YCG48B21S	TPLC080C16MP13C	21.0	CF/CM/CU48D	1425	45.0	34.0	15.75	13.00
YCG48B21S	TPLC080C16MP13C	21.0	CF/CM/CU60C	1425	45.5	34.8	16.00	13.25
YCG48B21S	TPLC080C16MP13C	21.0	CF/CM/CU60D	1425	46.0	35.0	16.00	13.50
YCG48B21S	TPLC080C16MP13C	21.0	CF/CM64D	1425	46.5	35.2	16.25	13.50
YCG48B21S	TPLC080C16MP13C	21.0	XAF/XAUC48F	1375	45.0	31.4	15.25	12.50
YCG48B21S	TPLC080C16MP13C	21.0	XAF/XAUC60G	1375	45.5	32.0	15.75	13.00
YCG48B21S	TPLC080C16MP13C	24.5	XAF/XAUD60G	1375	46.0	32.0	15.75	13.00
YCG48B21S	TPLC080C16MP13C	24.5	XAFD48F	1375	45.0	31.2	15.25	12.75
YCG48B21S	TPLC080C16MP13C	21.0	XAHC48F	1375	45.0	31.4	15.25	12.50
YCG48B21S	TPLC080C16MP13C	21.0	XAHC60G	1375	45.5	32.0	15.75	13.00
YCG48B21S	TPLC080C16MP13C	24.5	XAHD48F	1375	45.0	31.2	15.25	12.50
YCG48B21S	TPLC080C16MP13C	21.0	XAHD60G	1375	46.0	32.2	15.50	12.75
YCG48B21S	TPLC100C16MP13C	21.0	CF/CM/CU48C	1425	45.0	34.0	15.75	13.00
YCG48B21S	TPLC100C16MP13C	21.0	CF/CM/CU48D	1425	45.0	34.0	15.75	13.00
YCG48B21S	TPLC100C16MP13C	21.0	CF/CM/CU60C	1425	45.5	34.8	16.00	13.25
YCG48B21S	TPLC100C16MP13C	21.0	CF/CM/CU60D	1425	46.0	35.0	16.00	13.50
YCG48B21S	TPLC100C16MP13C	21.0	CF/CM64D	1425	46.5	35.2	16.25	13.50
YCG48B21S	TPLC100C16MP13C	21.0	XAF/XAUC48F	1375	45.0	31.4	15.25	12.50
YCG48B21S	TPLC100C16MP13C	21.0	XAF/XAUC60G	1375	45.5	32.0	15.75	13.00
YCG48B21S	TPLC100C16MP13C	24.5	XAF/XAUD60G	1375	46.0	32.0	15.75	13.00
YCG48B21S	TPLC100C16MP13C	24.5	XAFD48F	1375	45.0	31.2	15.25	12.75
YCG48B21S	TPLC100C16MP13C	21.0	XAHC48F	1375	45.0	31.4	15.25	12.50
YCG48B21S	TPLC100C16MP13C	21.0	XAHC60G	1375	45.5	32.0	15.75	13.00
YCG48B21S	TPLC100C16MP13C	21.0	XAHD48F	1375	45.0	31.2	15.25	12.50
YCG48B21S	TPLC100C16MP13C	24.5	XAHD60G	1375	46.0	32.2	15.50	12.75
YCG48B21S	TPLC100C20MP13C	21.0	CF/CM/CU48C	1425	45.0	34.0	15.75	13.00
YCG48B21S	TPLC100C20MP13C	21.0	CF/CM/CU48D	1475	46.0	35.2	16.25	13.50
YCG48B21S	TPLC100C20MP13C	21.0	CF/CM/CU60C	1325	45.0	33.2	16.00	13.25
YCG48B21S	TPLC100C20MP13C	21.0	CF/CM/CU60D	1475	46.5	35.8	16.25	13.50
YCG48B21S	TPLC100C20MP13C	21.0	CF/CM64D	1425	47.0	35.6	16.25	13.25

COOLING CAPACITY - With High Efficiency Motor Furnaces¹ (Continued)

UNIT MODEL	FURNACE		COIL MODEL ²	COOLING				
	MODEL	WIDTH		RATED CFM	NET MBH		SEER	EER
					TOTAL	SENS.		
YCG48B21S	TPLC100C20MP13C	21.0	XAF/XAUC48F	1300	45.0	30.6	15.75	13.00
YCG48B21S	TPLC100C20MP13C	21.0	XAF/XAUC60G	1300	45.0	31.4	16.00	13.25
YCG48B21S	TPLC100C20MP13C	24.5	XAF/XAUD60G	1300	46.0	31.4	16.25	13.25
YCG48B21S	TPLC100C20MP13C	24.5	XAFD48F	1300	45.0	30.6	15.75	13.00
YCG48B21S	TPLC100C20MP13C	21.0	XAHC48F	1300	45.0	30.6	15.75	13.00
YCG48B21S	TPLC100C20MP13C	21.0	XAHC60G	1325	45.0	31.6	16.00	13.25
YCG48B21S	TPLC100C20MP13C	24.5	XAHD48F	1300	45.0	30.6	15.75	13.00
YCG48B21S	TPLC100C20MP13C	21.0	XAHD60G	1300	46.0	31.4	16.00	13.25
YCG48B21S	TPLC120C20MP13C	21.0	CF/CM/CU48C	1425	45.0	34.0	15.75	13.00
YCG48B21S	TPLC120C20MP13C	21.0	CF/CM/CU48D	1475	46.0	35.2	16.25	13.50
YCG48B21S	TPLC120C20MP13C	21.0	CF/CM/CU60C	1325	45.0	33.2	16.00	13.25
YCG48B21S	TPLC120C20MP13C	21.0	CF/CM/CU60D	1475	46.5	35.8	16.25	13.50
YCG48B21S	TPLC120C20MP13C	21.0	CF/CM64D	1425	47.0	35.6	16.25	13.25
YCG48B21S	TPLC120C20MP13C	21.0	XAF/XAUC48F	1300	45.0	30.6	15.75	13.00
YCG48B21S	TPLC120C20MP13C	21.0	XAF/XAUC60G	1300	45.0	31.4	16.00	13.25
YCG48B21S	TPLC120C20MP13C	24.5	XAF/XAUD60G	1300	46.0	31.4	16.25	13.25
YCG48B21S	TPLC120C20MP13C	24.5	XAFD48F	1300	45.0	30.6	15.75	13.00
YCG48B21S	TPLC120C20MP13C	21.0	XAHC48F	1300	45.0	30.6	15.75	13.00
YCG48B21S	TPLC120C20MP13C	21.0	XAHC60G	1325	45.0	31.6	16.00	13.25
YCG48B21S	TPLC120C20MP13C	24.5	XAHD48F	1300	45.0	30.6	15.75	13.00
YCG48B21S	TPLC120C20MP13C	21.0	XAHD60G	1300	46.0	31.4	16.00	13.25
YCG48B21S	YP9C080C16MP13C	21.0	CF/CM/CU48C	1300	45.0	32.8	15.75	13.00
YCG48B21S	YP9C080C16MP13C	21.0	CF/CM/CU48D	1300	45.5	33.4	16.00	13.25
YCG48B21S	YP9C080C16MP13C	21.0	CF/CM/CU60C	1300	45.0	33.0	15.75	13.00
YCG48B21S	YP9C080C16MP13C	21.0	CF/CM/CU60D	1300	45.0	33.0	15.75	13.00
YCG48B21S	YP9C080C16MP13C	21.0	CF/CM64D	1300	46.5	34.0	16.25	13.50
YCG48B21S	YP9C080C16MP13C	21.0	XAF/XAUC60G	1300	45.0	31.4	15.75	13.00
YCG48B21S	YP9C080C16MP13C	24.5	XAF/XAUD60G	1300	45.0	31.2	15.75	13.00
YCG48B21S	YP9C080C16MP13C	24.5	XAFD48F	1375	45.0	31.4	15.00	12.50
YCG48B21S	YP9C080C16MP13C	21.0	XAHC60G	1300	45.0	31.2	15.75	13.00
YCG48B21S	YP9C080C16MP13C	21.0	XAHD60G	1300	45.0	31.4	15.50	12.75
YCG48B21S	YP9C100C16MP13C	21.0	CF/CM/CU48C	1475	45.5	34.8	15.75	13.00
YCG48B21S	YP9C100C16MP13C	21.0	CF/CM/CU48D	1475	46.0	35.0	16.00	13.25
YCG48B21S	YP9C100C16MP13C	21.0	CF/CM/CU60C	1475	46.5	35.8	16.00	13.25
YCG48B21S	YP9C100C16MP13C	21.0	CF/CM/CU60D	1475	46.5	35.8	16.00	13.25
YCG48B21S	YP9C100C16MP13C	21.0	CF/CM64D	1475	47.0	36.0	16.50	13.50
YCG48B21S	YP9C100C16MP13C	21.0	XAF/XAUC48F	1325	45.0	31.0	15.50	12.75
YCG48B21S	YP9C100C16MP13C	21.0	XAF/XAUC60G	1325	46.0	31.6	16.00	13.25
YCG48B21S	YP9C100C16MP13C	24.5	XAF/XAUD60G	1325	46.0	31.6	16.00	13.25
YCG48B21S	YP9C100C16MP13C	24.5	XAFD48F	1325	45.0	31.0	15.50	12.75
YCG48B21S	YP9C100C16MP13C	21.0	XAHC48F	1325	45.0	31.0	15.50	12.75
YCG48B21S	YP9C100C16MP13C	21.0	XAHC60G	1325	46.0	31.6	16.00	13.25
YCG48B21S	YP9C100C16MP13C	24.5	XAHD48F	1325	45.0	31.0	15.50	12.75
YCG48B21S	YP9C100C16MP13C	21.0	XAHD60G	1325	45.5	31.4	15.75	13.00
YCG48B21S	YP9C100C20MP13C	21.0	CF/CM/CU48C	1475	45.5	34.8	15.25	12.75
YCG48B21S	YP9C100C20MP13C	21.0	CF/CM/CU48D	1475	45.5	34.8	15.75	13.00
YCG48B21S	YP9C100C20MP13C	21.0	CF/CM/CU60C	1475	46.5	35.8	15.75	13.00
YCG48B21S	YP9C100C20MP13C	21.0	CF/CM/CU60D	1475	46.5	35.8	16.25	13.50
YCG48B21S	YP9C100C20MP13C	21.0	CF/CM64D	1475	47.0	36.0	16.50	13.50
YCG48B21S	YP9C100C20MP13C	21.0	XAF/XAUC48F	1350	45.0	31.2	15.25	12.75
YCG48B21S	YP9C100C20MP13C	21.0	XAF/XAUC60G	1350	46.0	31.8	15.75	13.00
YCG48B21S	YP9C100C20MP13C	24.5	XAF/XAUD60G	1350	46.0	31.8	15.75	13.00
YCG48B21S	YP9C100C20MP13C	24.5	XAFD48F	1350	45.0	31.2	15.50	12.75
YCG48B21S	YP9C100C20MP13C	21.0	XAHC48F	1350	45.0	31.2	15.25	12.75
YCG48B21S	YP9C100C20MP13C	21.0	XAHC60G	1350	46.0	31.8	15.75	13.00
YCG48B21S	YP9C100C20MP13C	24.5	XAHD48F	1350	45.0	31.2	15.50	12.75
YCG48B21S	YP9C100C20MP13C	21.0	XAHD60G	1300	45.5	31.2	15.75	13.00
YCG48B21S	YP9C120D20MP13C	24.5	CF/CM/CU48D	1400	45.0	33.8	16.20	13.25
YCG48B21S	YP9C120D20MP13C	24.5	CF/CM/CU60D	1400	46.0	34.6	16.50	13.50
YCG48B21S	YP9C120D20MP13C	24.5	CF/CM64D	1400	46.5	34.8	16.50	13.25
YCG48B21S	YP9C120D20MP13C	24.5	XAF/XAUD60G	1300	46.0	31.4	16.00	13.25
YCG48B21S	YP9C120D20MP13C	24.5	XAFD48F	1300	45.0	30.6	15.75	13.00
YCG48B21S	YP9C120D20MP13C	24.5	XAHD48F	1300	45.0	30.6	15.75	13.00
YCG48B21S	YP9C120D20MP13C	21.0	XAHD60G	1300	46.0	31.4	16.00	13.25

COOLING CAPACITY - With High Efficiency Motor Furnaces¹ (Continued)

UNIT MODEL	FURNACE		COIL MODEL ²	COOLING				
	MODEL	WIDTH		RATED CFM	NET MBH		SEER	EER
					TOTAL	SENS.		
YCG48B21S	YPLC080C16MP13C	21.0	CF/CM/CU48C	1425	45.0	34.0	15.75	13.00
YCG48B21S	YPLC080C16MP13C	21.0	CF/CM/CU48D	1425	45.0	34.0	15.75	13.00
YCG48B21S	YPLC080C16MP13C	21.0	CF/CM/CU60C	1425	45.5	34.8	16.00	13.25
YCG48B21S	YPLC080C16MP13C	21.0	CF/CM/CU60D	1425	46.0	35.0	16.00	13.50
YCG48B21S	YPLC080C16MP13C	21.0	CF/CM64D	1425	46.5	35.2	16.25	13.50
YCG48B21S	YPLC080C16MP13C	21.0	XAF/XAUC48F	1375	45.0	31.4	15.25	12.50
YCG48B21S	YPLC080C16MP13C	21.0	XAF/XAUC60G	1375	45.5	32.0	15.75	13.00
YCG48B21S	YPLC080C16MP13C	24.5	XAF/XAUD60G	1375	46.0	32.0	15.75	13.00
YCG48B21S	YPLC080C16MP13C	24.5	XAFD48F	1375	45.0	31.2	15.25	12.75
YCG48B21S	YPLC080C16MP13C	21.0	XAHC48F	1375	45.0	31.4	15.25	12.50
YCG48B21S	YPLC080C16MP13C	21.0	XAHC60G	1375	45.5	32.0	15.75	13.00
YCG48B21S	YPLC080C16MP13C	24.5	XAHD48F	1375	45.0	31.2	15.25	12.50
YCG48B21S	YPLC080C16MP13C	21.0	XAHD60G	1375	46.0	32.2	15.50	12.75
YCG48B21S	YPLC100C16MP13C	21.0	CF/CM/CU48C	1425	45.0	34.0	15.75	13.00
YCG48B21S	YPLC100C16MP13C	21.0	CF/CM/CU48D	1425	45.0	34.0	15.75	13.00
YCG48B21S	YPLC100C16MP13C	21.0	CF/CM/CU60C	1425	45.5	34.8	16.00	13.25
YCG48B21S	YPLC100C16MP13C	21.0	CF/CM/CU60D	1425	46.0	35.0	16.00	13.50
YCG48B21S	YPLC100C16MP13C	21.0	CF/CM64D	1425	46.5	35.2	16.25	13.50
YCG48B21S	YPLC100C16MP13C	21.0	XAF/XAUC48F	1375	45.0	31.4	15.25	12.50
YCG48B21S	YPLC100C16MP13C	21.0	XAF/XAUC60G	1375	45.5	32.0	15.75	13.00
YCG48B21S	YPLC100C16MP13C	24.5	XAF/XAUD60G	1375	46.0	32.0	15.75	13.00
YCG48B21S	YPLC100C16MP13C	24.5	XAFD48F	1375	45.0	31.2	15.25	12.75
YCG48B21S	YPLC100C16MP13C	21.0	XAHC48F	1375	45.0	31.4	15.25	12.50
YCG48B21S	YPLC100C16MP13C	21.0	XAHC60G	1375	45.5	32.0	15.75	13.00
YCG48B21S	YPLC100C16MP13C	24.5	XAHD48F	1375	45.0	31.2	15.25	12.50
YCG48B21S	YPLC100C16MP13C	21.0	XAHD60G	1375	46.0	32.2	15.50	12.75
YCG48B21S	YPLC100C20MP13C	21.0	CF/CM/CU48C	1425	45.0	34.0	15.75	13.00
YCG48B21S	YPLC100C20MP13C	21.0	CF/CM/CU48D	1475	46.0	35.2	16.25	13.50
YCG48B21S	YPLC100C20MP13C	21.0	CF/CM/CU60C	1325	45.0	33.2	16.00	13.25
YCG48B21S	YPLC100C20MP13C	21.0	CF/CM/CU60D	1475	46.5	35.8	16.25	13.50
YCG48B21S	YPLC100C20MP13C	21.0	CF/CM64D	1425	47.0	35.6	16.25	13.25
YCG48B21S	YPLC100C20MP13C	21.0	XAF/XAUC48F	1300	45.0	30.6	15.75	13.00
YCG48B21S	YPLC100C20MP13C	21.0	XAF/XAUC60G	1300	45.0	31.4	16.00	13.25
YCG48B21S	YPLC100C20MP13C	24.5	XAF/XAUD60G	1300	46.0	31.4	16.25	13.25
YCG48B21S	YPLC100C20MP13C	24.5	XAFD48F	1300	45.0	30.6	15.75	13.00
YCG48B21S	YPLC100C20MP13C	21.0	XAHC48F	1300	45.0	30.6	15.75	13.00
YCG48B21S	YPLC100C20MP13C	21.0	XAHC60G	1325	45.0	31.6	16.00	13.25
YCG48B21S	YPLC100C20MP13C	24.5	XAHD48F	1300	45.0	30.6	15.75	13.00
YCG48B21S	YPLC100C20MP13C	21.0	XAHD60G	1300	46.0	31.4	16.00	13.25
YCG48B21S	YPLC120C20MP13C	21.0	CF/CM/CU48C	1425	45.0	34.0	15.75	13.00
YCG48B21S	YPLC120C20MP13C	21.0	CF/CM/CU48D	1475	46.0	35.2	16.25	13.50
YCG48B21S	YPLC120C20MP13C	21.0	CF/CM/CU60C	1325	45.0	33.2	16.00	13.25
YCG48B21S	YPLC120C20MP13C	21.0	CF/CM/CU60D	1475	46.5	35.8	16.25	13.50
YCG48B21S	YPLC120C20MP13C	21.0	CF/CM64D	1425	47.0	35.6	16.25	13.25
YCG48B21S	YPLC120C20MP13C	21.0	XAF/XAUC48F	1300	45.0	30.6	15.75	13.00
YCG48B21S	YPLC120C20MP13C	21.0	XAF/XAUC60G	1300	45.0	31.4	16.00	13.25
YCG48B21S	YPLC120C20MP13C	24.5	XAF/XAUD60G	1300	46.0	31.4	16.25	13.25
YCG48B21S	YPLC120C20MP13C	24.5	XAFD48F	1300	45.0	30.6	15.75	13.00
YCG48B21S	YPLC120C20MP13C	21.0	XAHC48F	1300	45.0	30.6	15.75	13.00
YCG48B21S	YPLC120C20MP13C	21.0	XAHC60G	1325	45.0	31.6	16.00	13.25
YCG48B21S	YPLC120C20MP13C	24.5	XAHD48F	1300	45.0	30.6	15.75	13.00
YCG48B21S	YPLC120C20MP13C	21.0	XAHD60G	1300	46.0	31.4	16.00	13.25
YCG60B21S	TL8E080C16UH11	21.0	CF/CM/CU60C	1550	54.5	39.0	14.25	11.75
YCG60B21S	TL8E080C16UH11	21.0	CF/CM/CU60D	1575	55.0	40.0	14.25	12.00
YCG60B21S	TL8E080C16UH11	21.0	CF/CM64D	1550	56.0	40.5	14.75	12.25
YCG60B21S	TL8E080C16UH11	21.0	XAF/XAUC60G	1550	54.5	37.8	14.25	11.75
YCG60B21S	TL8E080C16UH11	24.5	XAF/XAUD60G	1550	55.0	37.8	14.25	12.00
YCG60B21S	TL8E080C16UH11	24.5	XAF/XAUD60H	1550	56.0	38.5	14.75	12.25
YCG60B21S	TL8E080C16UH11	21.0	XAFC60H	1550	56.0	38.5	14.75	12.25
YCG60B21S	TL8E080C16UH11	21.0	XAHC60G	1550	54.5	37.8	14.25	11.75
YCG60B21S	TL8E080C16UH11	21.0	XAHC60H	1550	56.0	38.5	14.75	12.25
YCG60B21S	TL8E080C16UH11	24.5	XAHD60H	1550	56.0	38.5	14.75	12.25
YCG60B21S	TL8E100C20UH11	21.0	CF/CM/CU60C	1600	55.0	40.0	14.50	12.25
YCG60B21S	TL8E100C20UH11	21.0	CF/CM/CU60D	1625	55.0	40.0	14.50	12.25

COOLING CAPACITY - With High Efficiency Motor Furnaces¹ (Continued)

UNIT MODEL	FURNACE		COIL MODEL ²	COOLING				
	MODEL	WIDTH		RATED CFM	NET MBH		SEER	EER
					TOTAL	SENS.		
YCG60B21S	TL8E100C20UH11	21.0	CF/CM64D	1600	57.0	41.5	15.25	12.50
YCG60B21S	TL8E100C20UH11	21.0	XAF/XAUC60G	1600	55.0	38.0	14.50	12.25
YCG60B21S	TL8E100C20UH11	24.5	XAF/XAUD60G	1600	55.0	38.0	14.50	12.25
YCG60B21S	TL8E100C20UH11	24.5	XAF/XAUD60H	1600	56.5	39.0	15.00	12.50
YCG60B21S	TL8E100C20UH11	21.0	XAFC60H	1600	56.5	39.0	15.00	12.50
YCG60B21S	TL8E100C20UH11	21.0	XAHC60G	1600	55.0	38.0	14.50	12.25
YCG60B21S	TL8E100C20UH11	21.0	XAHC60H	1600	56.5	39.0	15.00	12.50
YCG60B21S	TL8E100C20UH11	21.0	XAHD60G	1575	55.0	38.0	14.50	12.25
YCG60B21S	TL8E100C20UH11	24.5	XAHD60H	1600	56.5	39.0	15.00	12.50
YCG60B21S	TL9E100C20UH11	21.0	CF/CM/CU60C	1600	55.0	40.0	14.50	12.00
YCG60B21S	TL9E100C20UH11	21.0	CF/CM/CU60D	1625	55.0	40.0	14.50	12.00
YCG60B21S	TL9E100C20UH11	21.0	CF/CM64D	1600	57.0	41.5	15.00	12.50
YCG60B21S	TL9E100C20UH11	21.0	XAF/XAUC60G	1600	55.0	38.5	14.50	12.00
YCG60B21S	TL9E100C20UH11	24.5	XAF/XAUD60G	1600	55.0	38.5	14.50	12.00
YCG60B21S	TL9E100C20UH11	24.5	XAF/XAUD60H	1600	56.5	39.0	14.75	12.50
YCG60B21S	TL9E100C20UH11	21.0	XAFC60H	1600	56.5	39.0	14.75	12.50
YCG60B21S	TL9E100C20UH11	21.0	XAHC60G	1600	55.0	38.5	14.50	12.00
YCG60B21S	TL9E100C20UH11	21.0	XAHC60H	1600	56.5	39.0	14.75	12.50
YCG60B21S	TL9E100C20UH11	21.0	XAHD60G	1575	55.0	37.8	14.50	12.00
YCG60B21S	TL9E100C20UH11	24.5	XAHD60H	1600	56.5	39.0	14.75	12.50
YCG60B21S	TM8E080C16MP11	21.0	CF/CM/CU60C	1575	54.5	39.5	14.25	12.00
YCG60B21S	TM8E080C16MP11	21.0	CF/CM/CU60D	1600	55.0	40.0	14.25	12.00
YCG60B21S	TM8E080C16MP11	21.0	CF/CM64D	1575	56.5	41.0	14.75	12.25
YCG60B21S	TM8E080C16MP11	21.0	XAF/XAUC60G	1575	54.5	37.8	14.25	12.00
YCG60B21S	TM8E080C16MP11	24.5	XAF/XAUD60G	1575	55.0	37.8	14.25	12.00
YCG60B21S	TM8E080C16MP11	24.5	XAF/XAUD60H	1575	56.0	38.5	14.75	12.25
YCG60B21S	TM8E080C16MP11	21.0	XAFC60H	1575	56.0	38.5	14.75	12.25
YCG60B21S	TM8E080C16MP11	21.0	XAHC60G	1575	54.5	37.8	14.25	12.00
YCG60B21S	TM8E080C16MP11	21.0	XAHC60H	1575	56.0	38.5	14.75	12.25
YCG60B21S	TM8E080C16MP11	21.0	XAHD60G	1550	55.0	37.8	14.25	12.00
YCG60B21S	TM8E080C16MP11	24.5	XAHD60H	1575	56.0	38.5	14.75	12.25
YCG60B21S	TM8E080C20MP11	21.0	CF/CM/CU60C	1550	55.0	39.5	14.50	12.25
YCG60B21S	TM8E080C20MP11	21.0	CF/CM/CU60D	1575	55.0	39.5	14.75	12.25
YCG60B21S	TM8E080C20MP11	21.0	CF/CM64D	1575	57.0	41.0	15.25	12.75
YCG60B21S	TM8E080C20MP11	21.0	XAF/XAUC60G	1550	55.0	37.8	14.50	12.25
YCG60B21S	TM8E080C20MP11	24.5	XAF/XAUD60G	1550	55.0	37.8	14.75	12.25
YCG60B21S	TM8E080C20MP11	24.5	XAF/XAUD60H	1550	56.0	38.0	15.00	12.50
YCG60B21S	TM8E080C20MP11	21.0	XAFC60H	1550	56.0	38.0	15.00	12.50
YCG60B21S	TM8E080C20MP11	21.0	XAHC60G	1550	55.0	37.8	14.50	12.25
YCG60B21S	TM8E080C20MP11	21.0	XAHC60H	1550	56.0	38.0	15.00	12.50
YCG60B21S	TM8E080C20MP11	21.0	XAHD60G	1725	55.0	39.5	14.50	12.25
YCG60B21S	TM8E080C20MP11	24.5	XAHD60H	1550	56.0	38.0	15.00	12.50
YCG60B21S	TM8E100C16MP11	21.0	CF/CM/CU60C	1575	54.5	39.5	14.25	12.00
YCG60B21S	TM8E100C16MP11	21.0	CF/CM/CU60D	1600	55.0	40.0	14.25	12.00
YCG60B21S	TM8E100C16MP11	21.0	CF/CM64D	1575	56.5	41.0	14.75	12.25
YCG60B21S	TM8E100C16MP11	21.0	XAF/XAUC60G	1575	54.5	37.8	14.25	12.00
YCG60B21S	TM8E100C16MP11	24.5	XAF/XAUD60G	1575	55.0	37.8	14.25	12.00
YCG60B21S	TM8E100C16MP11	24.5	XAF/XAUD60H	1575	56.0	38.5	14.75	12.25
YCG60B21S	TM8E100C16MP11	21.0	XAFC60H	1575	56.0	38.5	14.75	12.25
YCG60B21S	TM8E100C16MP11	21.0	XAHC60G	1575	54.5	37.8	14.25	12.00
YCG60B21S	TM8E100C16MP11	21.0	XAHC60H	1575	56.0	38.5	14.75	12.25
YCG60B21S	TM8E100C16MP11	21.0	XAHD60G	1550	55.0	37.8	14.25	12.00
YCG60B21S	TM8E100C16MP11	24.5	XAHD60H	1575	56.0	38.5	14.75	12.25
YCG60B21S	TM8E100C20MP11	21.0	CF/CM/CU60C	1725	55.5	41.5	14.00	11.75
YCG60B21S	TM8E100C20MP11	21.0	CF/CM/CU60D	1550	55.0	39.5	14.75	12.25
YCG60B21S	TM8E100C20MP11	21.0	CF/CM64D	1525	57.0	40.5	15.50	12.75
YCG60B21S	TM8E100C20MP11	21.0	XAF/XAUC60G	1725	55.5	39.5	14.25	12.00
YCG60B21S	TM8E100C20MP11	24.5	XAF/XAUD60G	1750	55.0	39.5	14.50	12.25
YCG60B21S	TM8E100C20MP11	24.5	XAF/XAUD60H	1725	56.5	40.0	14.50	12.25
YCG60B21S	TM8E100C20MP11	21.0	XAFC60H	1725	56.5	40.0	14.50	12.25
YCG60B21S	TM8E100C20MP11	21.0	XAHC60G	1725	55.5	39.5	14.25	12.00
YCG60B21S	TM8E100C20MP11	21.0	XAHC60H	1725	56.5	40.0	14.50	12.25
YCG60B21S	TM8E100C20MP11	21.0	XAHD60G	1725	55.0	39.5	14.50	12.25
YCG60B21S	TM8E100C20MP11	24.5	XAHD60H	1725	56.5	40.0	14.50	12.25

COOLING CAPACITY - With High Efficiency Motor Furnaces¹ (Continued)

UNIT MODEL	FURNACE		COIL MODEL ²	COOLING				
	MODEL	WIDTH		RATED CFM	NET MBH		SEER	EER
					TOTAL	SENS.		
YCG60B21S	TM8E120C16MP11	21.0	CF/CM/CU60C	1575	55.0	40.0	14.25	12.00
YCG60B21S	TM8E120C16MP11	21.0	CF/CM/CU60D	1600	55.0	40.0	14.25	12.00
YCG60B21S	TM8E120C16MP11	21.0	CF/CM64D	1575	56.5	41.0	14.75	12.25
YCG60B21S	TM8E120C16MP11	21.0	XAF/XAUC60G	1575	55.0	37.8	14.25	12.00
YCG60B21S	TM8E120C16MP11	24.5	XAF/XAUD60G	1575	55.0	37.8	14.25	12.00
YCG60B21S	TM8E120C16MP11	24.5	XAF/XAUD60H	1575	56.0	38.5	14.75	12.25
YCG60B21S	TM8E120C16MP11	21.0	XAFC60H	1575	56.0	38.5	14.75	12.25
YCG60B21S	TM8E120C16MP11	21.0	XAHC60G	1575	55.0	37.8	14.25	12.00
YCG60B21S	TM8E120C16MP11	21.0	XAHC60H	1575	56.0	38.5	14.75	12.25
YCG60B21S	TM8E120C16MP11	21.0	XAHD60G	1575	55.0	37.8	14.25	12.00
YCG60B21S	TM8E120C16MP11	24.5	XAHD60H	1575	56.0	38.5	14.75	12.25
YCG60B21S	TM8E120C20MP11	21.0	CF/CM/CU60C	1750	55.5	41.5	14.25	12.00
YCG60B21S	TM8E120C20MP11	21.0	CF/CM/CU60D	1525	54.5	39.0	14.75	12.25
YCG60B21S	TM8E120C20MP11	21.0	CF/CM64D	1525	57.0	40.5	15.50	12.75
YCG60B21S	TM8E120C20MP11	21.0	XAF/XAUC60G	1750	55.5	39.5	14.50	12.25
YCG60B21S	TM8E120C20MP11	24.5	XAF/XAUD60G	1750	55.5	39.5	14.50	12.25
YCG60B21S	TM8E120C20MP11	24.5	XAF/XAUD60H	1750	57.0	40.5	14.75	12.25
YCG60B21S	TM8E120C20MP11	21.0	XAFC60H	1750	57.0	40.5	14.75	12.25
YCG60B21S	TM8E120C20MP11	21.0	XAHC60G	1750	55.5	39.5	14.50	12.25
YCG60B21S	TM8E120C20MP11	21.0	XAHC60H	1750	57.0	40.5	14.75	12.25
YCG60B21S	TM8E120C20MP11	21.0	XAHD60G	1725	55.5	39.5	14.50	12.25
YCG60B21S	TM8E120C20MP11	24.5	XAHD60H	1750	57.0	40.5	14.75	12.25
YCG60B21S	TM8E130D20MP11	24.5	CF/CM/CU60D	1650	55.5	40.5	14.50	12.25
YCG60B21S	TM8E130D20MP11	24.5	CF/CM64D	1625	57.0	42.0	15.25	12.75
YCG60B21S	TM8E130D20MP11	24.5	XAF/XAUD60G	1625	55.5	38.5	14.50	12.25
YCG60B21S	TM8E130D20MP11	24.5	XAF/XAUD60H	1625	56.5	39.0	15.00	12.50
YCG60B21S	TM8E130D20MP11	21.0	XAHD60G	1600	55.5	38.5	14.50	12.25
YCG60B21S	TM8E130D20MP11	24.5	XAHD60H	1625	56.5	39.0	15.00	12.50
YCG60B21S	TM8V080C16MP12C	21.0	CF/CM/CU60C	1700	56.0	42.0	14.25	12.20
YCG60B21S	TM8V080C16MP12C	21.0	CF/CM/CU60D	1700	56.5	42.5	14.50	12.25
YCG60B21S	TM8V100C16MP12C	21.0	CF/CM/CU60C	1700	56.0	42.0	14.25	12.20
YCG60B21S	TM8V100C16MP12C	21.0	CF/CM/CU60D	1700	56.5	42.5	14.50	12.25
YCG60B21S	TM8V100C20MP12C	21.0	CF/CM/CU60C	1550	56.0	40.5	15.00	12.50
YCG60B21S	TM8V100C20MP12C	21.0	CF/CM/CU60D	1550	56.0	40.5	15.25	12.75
YCG60B21S	TM8V100C20MP12C	21.0	CF/CM64D	1550	57.0	41.0	15.50	12.75
YCG60B21S	TM8V100C20MP12C	21.0	XAF/XAUC60G	1550	55.5	37.6	14.75	12.50
YCG60B21S	TM8V100C20MP12C	24.5	XAF/XAUD60G	1550	56.0	37.8	14.75	12.50
YCG60B21S	TM8V100C20MP12C	24.5	XAF/XAUD60H	1550	56.0	38.0	15.00	12.50
YCG60B21S	TM8V100C20MP12C	21.0	XAFC60H	1550	56.0	38.0	15.00	12.50
YCG60B21S	TM8V100C20MP12C	21.0	XAHC60G	1550	56.0	37.8	14.75	12.50
YCG60B21S	TM8V100C20MP12C	21.0	XAHC60H	1550	56.0	38.0	15.00	12.50
YCG60B21S	TM8V100C20MP12C	21.0	XAHD60G	1550	55.5	37.6	14.75	12.50
YCG60B21S	TM8V100C20MP12C	24.5	XAHD60H	1550	56.0	38.0	15.00	12.50
YCG60B21S	TM8V120C20MP12C	21.0	CF/CM/CU60C	1550	56.0	40.5	15.00	12.50
YCG60B21S	TM8V120C20MP12C	21.0	CF/CM/CU60D	1550	56.0	40.5	15.25	12.75
YCG60B21S	TM8V120C20MP12C	21.0	CF/CM64D	1550	57.0	41.0	15.50	12.75
YCG60B21S	TM8V120C20MP12C	21.0	XAF/XAUC60G	1550	55.5	37.6	14.75	12.50
YCG60B21S	TM8V120C20MP12C	24.5	XAF/XAUD60G	1550	56.0	37.8	14.75	12.50
YCG60B21S	TM8V120C20MP12C	24.5	XAF/XAUD60H	1550	56.0	38.0	15.00	12.50
YCG60B21S	TM8V120C20MP12C	21.0	XAFC60H	1550	56.0	38.0	15.00	12.50
YCG60B21S	TM8V120C20MP12C	21.0	XAHC60G	1550	56.0	37.8	14.75	12.50
YCG60B21S	TM8V120C20MP12C	21.0	XAHC60H	1550	56.0	38.0	15.00	12.50
YCG60B21S	TM8V120C20MP12C	21.0	XAHD60G	1550	55.5	37.6	14.75	12.50
YCG60B21S	TM8V120C20MP12C	24.5	XAHD60H	1550	56.0	38.0	15.00	12.50
YCG60B21S	TM8X080C16MP11	21.0	CF/CM/CU60C	1525	55.5	40.0	14.75	12.25
YCG60B21S	TM8X080C16MP11	21.0	CF/CM/CU60D	1550	56.0	40.5	14.75	12.25
YCG60B21S	TM8X080C16MP11	21.0	CF/CM64D	1525	56.5	40.5	15.00	12.50
YCG60B21S	TM8X100C16MP11	21.0	CF/CM/CU60C	1525	55.5	40.0	14.75	12.25
YCG60B21S	TM8X100C16MP11	21.0	CF/CM/CU60D	1550	56.0	40.5	14.75	12.25
YCG60B21S	TM8X100C16MP11	21.0	CF/CM64D	1525	56.5	40.5	15.00	12.50
YCG60B21S	TM8X100C20MP11	21.0	CF/CM/CU60C	1550	56.0	40.5	15.00	12.50
YCG60B21S	TM8X100C20MP11	21.0	CF/CM/CU60D	1600	56.5	41.5	15.25	12.75
YCG60B21S	TM8X100C20MP11	21.0	CF/CM64D	1550	57.0	41.0	15.50	12.75
YCG60B21S	TM8X120C20MP11	21.0	CF/CM/CU60C	1550	56.0	40.5	15.00	12.50

COOLING CAPACITY - With High Efficiency Motor Furnaces¹ (Continued)

UNIT MODEL	FURNACE		COIL MODEL ²	COOLING				
	MODEL	WIDTH		RATED CFM	NET MBH		SEER	EER
					TOTAL	SENS.		
YCG60B21S	TM8X120C20MP11	21.0	CF/CM/CU60D	1600	56.5	41.5	15.25	12.75
YCG60B21S	TM8X120C20MP11	21.0	CF/CM64D	1550	57.0	41.0	15.50	12.75
YCG60B21S	TM8Y080C16MP11	21.0	CF/CM/CU60C	1525	55.5	40.0	14.75	12.25
YCG60B21S	TM8Y080C16MP11	21.0	CF/CM/CU60D	1550	56.0	40.5	14.75	12.25
YCG60B21S	TM8Y080C16MP11	21.0	CF/CM64D	1525	56.5	40.5	15.00	12.50
YCG60B21S	TM8Y080C16MP11	24.5	XAF/XAUD60G	1550	55.0	37.6	14.50	12.25
YCG60B21S	TM8Y080C16MP11	24.5	XAF/XAUD60H	1550	56.0	38.5	14.75	12.25
YCG60B21S	TM8Y080C16MP11	21.0	XAFC60H	1550	56.0	38.5	14.75	12.25
YCG60B21S	TM8Y080C16MP11	21.0	XAHC60G	1550	55.0	37.6	14.50	12.25
YCG60B21S	TM8Y080C16MP11	21.0	XAHC60H	1550	56.0	38.5	14.75	12.25
YCG60B21S	TM8Y100C16MP11	21.0	CF/CM/CU60C	1525	55.5	40.0	14.75	12.25
YCG60B21S	TM8Y100C16MP11	21.0	CF/CM/CU60D	1550	56.0	40.5	14.75	12.25
YCG60B21S	TM8Y100C16MP11	21.0	CF/CM64D	1525	56.5	40.5	15.00	12.50
YCG60B21S	TM8Y100C16MP11	24.5	XAF/XAUD60G	1550	55.0	37.6	14.50	12.25
YCG60B21S	TM8Y100C16MP11	24.5	XAF/XAUD60H	1550	56.0	38.5	14.75	12.25
YCG60B21S	TM8Y100C16MP11	21.0	XAFC60H	1550	56.0	38.5	14.75	12.25
YCG60B21S	TM8Y100C16MP11	21.0	XAHC60G	1550	55.0	37.6	14.50	12.25
YCG60B21S	TM8Y100C16MP11	21.0	XAHC60H	1550	56.0	38.5	14.75	12.25
YCG60B21S	TM8Y100C20MP11	21.0	CF/CM/CU60C	1550	56.0	40.5	15.00	12.50
YCG60B21S	TM8Y100C20MP11	21.0	CF/CM/CU60D	1600	56.5	41.5	15.25	12.75
YCG60B21S	TM8Y100C20MP11	21.0	CF/CM64D	1550	57.0	41.0	15.50	12.75
YCG60B21S	TM8Y100C20MP11	21.0	XAF/XAUC60G	1550	55.0	37.8	14.75	12.50
YCG60B21S	TM8Y100C20MP11	24.5	XAF/XAUD60G	1550	55.0	37.8	14.75	12.50
YCG60B21S	TM8Y100C20MP11	24.5	XAF/XAUD60H	1550	56.0	38.0	15.00	12.50
YCG60B21S	TM8Y100C20MP11	21.0	XAFC60H	1550	56.0	38.0	15.00	12.50
YCG60B21S	TM8Y100C20MP11	21.0	XAHC60G	1550	55.0	37.8	14.75	12.50
YCG60B21S	TM8Y100C20MP11	21.0	XAHC60H	1550	56.0	38.0	15.00	12.50
YCG60B21S	TM8Y100C20MP11	24.5	XAHD60H	1550	56.0	38.0	15.00	12.50
YCG60B21S	TM8Y120C20MP11	21.0	CF/CM/CU60C	1550	56.0	40.5	15.00	12.50
YCG60B21S	TM8Y120C20MP11	21.0	CF/CM/CU60D	1600	56.5	41.5	15.25	12.75
YCG60B21S	TM8Y120C20MP11	21.0	CF/CM64D	1550	57.0	41.0	15.50	12.75
YCG60B21S	TM8Y120C20MP11	21.0	XAF/XAUC60G	1550	55.0	37.8	14.75	12.50
YCG60B21S	TM8Y120C20MP11	24.5	XAF/XAUD60G	1550	55.0	37.8	14.75	12.50
YCG60B21S	TM8Y120C20MP11	24.5	XAF/XAUD60H	1550	56.0	38.0	15.00	12.50
YCG60B21S	TM8Y120C20MP11	21.0	XAFC60H	1550	56.0	38.0	15.00	12.50
YCG60B21S	TM8Y120C20MP11	21.0	XAHC60G	1550	55.0	37.8	14.75	12.50
YCG60B21S	TM8Y120C20MP11	21.0	XAHC60H	1550	56.0	38.0	15.00	12.50
YCG60B21S	TM8Y120C20MP11	24.5	XAHD60H	1550	56.0	38.0	15.00	12.50
YCG60B21S	TM9E080C20MP12	21.0	CF/CM/CU60C	1725	55.5	41.5	14.00	11.75
YCG60B21S	TM9E080C20MP12	21.0	CF/CM/CU60D	1525	54.5	39.0	14.75	12.25
YCG60B21S	TM9E080C20MP12	21.0	CF/CM64D	1750	57.5	43.0	14.75	12.25
YCG60B21S	TM9E080C20MP12	21.0	XAF/XAUC60G	1725	55.5	39.5	14.25	12.00
YCG60B21S	TM9E080C20MP12	24.5	XAF/XAUD60G	1750	55.5	39.5	14.50	12.25
YCG60B21S	TM9E080C20MP12	24.5	XAF/XAUD60H	1750	57.0	40.5	14.75	12.25
YCG60B21S	TM9E080C20MP12	21.0	XAFC60H	1750	57.0	40.5	14.75	12.25
YCG60B21S	TM9E080C20MP12	21.0	XAHC60G	1725	55.5	39.5	14.25	12.00
YCG60B21S	TM9E080C20MP12	21.0	XAHC60H	1750	57.0	40.5	14.75	12.25
YCG60B21S	TM9E080C20MP12	21.0	XAHD60G	1725	54.5	39.0	14.50	12.25
YCG60B21S	TM9E080C20MP12	24.5	XAHD60H	1725	56.5	40.0	14.50	12.25
YCG60B21S	TM9E100C16MP12	21.0	CF/CM/CU60D	1600	54.5	39.5	14.00	11.75
YCG60B21S	TM9E100C20MP11	21.0	CF/CM/CU60C	1525	55.5	40.0	14.75	12.25
YCG60B21S	TM9E100C20MP11	21.0	CF/CM/CU60D	1550	56.0	40.5	14.75	12.50
YCG60B21S	TM9E100C20MP11	21.0	CF/CM64D	1550	57.0	41.0	15.25	12.50
YCG60B21S	TM9E100C20MP12	21.0	CF/CM/CU60C	1700	55.5	41.0	14.25	12.00
YCG60B21S	TM9E100C20MP12	21.0	CF/CM/CU60D	1550	55.0	39.5	14.75	12.25
YCG60B21S	TM9E100C20MP12	21.0	CF/CM64D	1525	57.0	40.5	15.50	12.75
YCG60B21S	TM9E100C20MP12	21.0	XAF/XAUC60G	1700	55.5	39.0	14.50	12.25
YCG60B21S	TM9E100C20MP12	24.5	XAF/XAUD60G	1725	55.0	39.5	14.50	12.25
YCG60B21S	TM9E100C20MP12	24.5	XAF/XAUD60H	1700	56.5	40.0	14.75	12.25
YCG60B21S	TM9E100C20MP12	21.0	XAFC60H	1700	56.5	40.0	14.75	12.25
YCG60B21S	TM9E100C20MP12	21.0	XAHC60G	1700	55.5	39.0	14.50	12.25
YCG60B21S	TM9E100C20MP12	21.0	XAHC60H	1700	56.5	40.0	14.75	12.25
YCG60B21S	TM9E100C20MP12	21.0	XAHD60G	1700	55.0	39.0	14.50	12.25
YCG60B21S	TM9E100C20MP12	24.5	XAHD60H	1700	56.5	40.0	14.75	12.25

COOLING CAPACITY - With High Efficiency Motor Furnaces¹ (Continued)

UNIT MODEL	FURNACE		COIL MODEL ²	COOLING				
	MODEL	WIDTH		RATED CFM	NET MBH		SEER	EER
					TOTAL	SENS.		
YCG60B21S	TM9E120D20MP11	24.5	CF/CM/CU60D	1600	56.5	41.5	15.00	12.50
YCG60B21S	TM9E120D20MP11	24.5	CF/CM64D	1575	57.0	41.5	15.25	12.75
YCG60B21S	TM9E120D20MP12	24.5	CF/CM/CU60D	1625	55.0	40.0	14.50	12.00
YCG60B21S	TM9E120D20MP12	24.5	CF/CM64D	1600	57.0	41.5	15.00	12.50
YCG60B21S	TM9E120D20MP12	24.5	XAF/XAUD60G	1600	55.0	38.5	14.50	12.00
YCG60B21S	TM9E120D20MP12	24.5	XAF/XAUD60H	1600	56.5	39.0	14.75	12.50
YCG60B21S	TM9E120D20MP12	21.0	XAHD60G	1575	55.0	37.8	14.50	12.00
YCG60B21S	TM9E120D20MP12	24.5	XAHD60H	1600	56.5	39.0	14.75	12.50
YCG60B21S	TM9V080C16MP11C	21.0	CF/CM/CU60D	1525	54.5	39.0	14.25	12.00
YCG60B21S	TM9V080C16MP12C	21.0	CF/CM/CU60D	1525	54.5	39.0	14.25	12.00
YCG60B21S	TM9V100C16MP12C	21.0	CF/CM/CU60C	1600	56.0	41.0	14.75	12.25
YCG60B21S	TM9V100C16MP12C	21.0	CF/CM/CU60D	1600	56.0	41.0	15.00	12.50
YCG60B21S	TM9V100C16MP12C	21.0	CF/CM64D	1600	57.0	41.5	15.00	12.50
YCG60B21S	TM9V100C16MP12C	21.0	XAF/XAUC60G	1600	55.5	38.0	14.50	12.25
YCG60B21S	TM9V100C16MP12C	24.5	XAF/XAUD60G	1600	55.5	38.0	14.50	12.25
YCG60B21S	TM9V100C16MP12C	24.5	XAF/XAUD60H	1600	56.0	39.0	14.50	12.25
YCG60B21S	TM9V100C16MP12C	21.0	XAFC60H	1600	56.0	39.0	14.75	12.25
YCG60B21S	TM9V100C16MP12C	21.0	XAHC60G	1600	55.5	38.0	14.50	12.25
YCG60B21S	TM9V100C16MP12C	21.0	XAHC60H	1600	56.0	38.5	14.75	12.25
YCG60B21S	TM9V100C16MP12C	21.0	XAHD60G	1625	56.0	38.5	14.50	12.00
YCG60B21S	TM9V100C16MP12C	24.5	XAHD60H	1600	56.0	39.0	14.50	12.25
YCG60B21S	TM9V100C20MP12C	21.0	CF/CM/CU60C	1600	56.0	41.0	14.75	12.25
YCG60B21S	TM9V100C20MP12C	21.0	CF/CM64D	1600	57.0	41.5	15.00	12.50
YCG60B21S	TM9V100C20MP12C	21.0	XAF/XAUC60G	1600	55.5	38.0	14.50	12.25
YCG60B21S	TM9V100C20MP12C	24.5	XAF/XAUD60G	1600	55.5	38.5	14.50	12.25
YCG60B21S	TM9V100C20MP12C	24.5	XAF/XAUD60H	1600	56.0	38.5	14.75	12.25
YCG60B21S	TM9V100C20MP12C	21.0	XAFC60H	1600	56.0	38.5	14.75	12.25
YCG60B21S	TM9V100C20MP12C	21.0	XAHC60G	1600	55.5	38.0	14.50	12.25
YCG60B21S	TM9V100C20MP12C	21.0	XAHC60H	1600	56.0	38.5	14.75	12.25
YCG60B21S	TM9V100C20MP12C	21.0	XAHD60G	1600	55.5	38.0	14.50	12.25
YCG60B21S	TM9V100C20MP12C	24.5	XAHD60H	1600	56.0	39.0	14.75	12.25
YCG60B21S	TM9V120D20MP12C	24.5	CF/CM/CU60D	1575	56.5	41.0	15.25	12.75
YCG60B21S	TM9V120D20MP12C	24.5	CF/CM64D	1575	57.0	41.0	15.50	12.75
YCG60B21S	TM9V120D20MP12C	24.5	XAF/XAUD60G	1575	56.0	38.0	14.75	12.50
YCG60B21S	TM9V120D20MP12C	24.5	XAF/XAUD60H	1575	56.5	38.5	15.00	12.50
YCG60B21S	TM9V120D20MP12C	21.0	XAHD60G	1575	55.5	38.0	14.75	12.50
YCG60B21S	TM9V120D20MP12C	24.5	XAHD60H	1575	56.0	38.5	15.00	12.50
YCG60B21S	TM9Y100C20MP11	21.0	CF/CM/CU60C	1525	55.5	40.0	14.75	12.25
YCG60B21S	TM9Y100C20MP11	21.0	CF/CM/CU60D	1550	56.0	40.5	14.75	12.50
YCG60B21S	TM9Y100C20MP11	21.0	CF/CM64D	1550	57.0	41.0	15.25	12.50
YCG60B21S	TM9Y100C20MP11	24.5	XAF/XAUD60G	1550	55.0	37.6	14.50	12.25
YCG60B21S	TM9Y100C20MP11	21.0	XAFC60H	1550	56.0	38.5	14.75	12.50
YCG60B21S	TM9Y100C20MP11	21.0	XAHC60G	1550	55.0	37.6	14.50	12.25
YCG60B21S	TM9Y100C20MP11	21.0	XAHC60H	1550	56.0	38.5	14.75	12.50
YCG60B21S	TM9Y120D20MP11	24.5	CF/CM/CU60D	1600	56.5	41.5	15.00	12.50
YCG60B21S	TM9Y120D20MP11	24.5	CF/CM64D	1575	57.0	41.5	15.25	12.75
YCG60B21S	TM9Y120D20MP11	24.5	XAF/XAUD60G	1575	55.5	38.0	14.75	12.50
YCG60B21S	TM9Y120D20MP11	24.5	XAF/XAUD60H	1575	56.0	38.5	14.75	12.50
YCG60B21S	TM9Y120D20MP11	21.0	XAHD60G	1550	55.0	37.6	14.50	12.25
YCG60B21S	TM9Y120D20MP11	24.5	XAHD60H	1575	56.0	38.5	14.75	12.50
YCG60B21S	TMLE080C16MP11	21.0	XAF/XAUC60G	1575	54.5	37.8	14.25	12.00
YCG60B21S	TMLE080C16MP11	24.5	XAF/XAUD60G	1575	55.0	37.8	14.25	12.00
YCG60B21S	TMLE080C16MP11	24.5	XAF/XAUD60H	1575	56.0	38.5	14.75	12.25
YCG60B21S	TMLE080C16MP11	21.0	XAFC60H	1575	56.0	38.5	14.75	12.25
YCG60B21S	TMLE080C16MP11	21.0	XAHC60G	1575	54.5	37.8	14.25	12.00
YCG60B21S	TMLE080C16MP11	21.0	XAHC60H	1575	56.0	38.5	14.75	12.25
YCG60B21S	TMLE080C16MP11	21.0	XAHD60G	1550	55.0	37.8	14.25	12.00
YCG60B21S	TMLE080C16MP11	24.5	XAHD60H	1575	56.0	38.5	14.75	12.25
YCG60B21S	TMLE080C20MP11	21.0	XAF/XAUC60G	1550	55.0	37.8	14.50	12.25
YCG60B21S	TMLE080C20MP11	24.5	XAF/XAUD60G	1550	55.0	37.8	14.75	12.25
YCG60B21S	TMLE080C20MP11	24.5	XAF/XAUD60H	1550	56.0	38.0	15.00	12.50
YCG60B21S	TMLE080C20MP11	21.0	XAFC60H	1550	56.0	38.0	15.00	12.50
YCG60B21S	TMLE080C20MP11	21.0	XAHC60G	1550	55.0	37.8	14.50	12.25
YCG60B21S	TMLE080C20MP11	21.0	XAHC60H	1550	56.0	38.0	15.00	12.50

COOLING CAPACITY - With High Efficiency Motor Furnaces¹ (Continued)

UNIT MODEL	FURNACE		COIL MODEL ²	COOLING				
	MODEL	WIDTH		RATED CFM	NET MBH		SEER	EER
					TOTAL	SENS.		
YCG60B21S	TMLE080C20MP11	21.0	XAHD60G	1725	55.0	39.5	14.50	12.25
YCG60B21S	TMLE080C20MP11	24.5	XAHD60H	1550	56.0	38.0	15.00	12.50
YCG60B21S	TMLE100C16MP11	21.0	XAF/XAUD60G	1575	54.5	37.8	14.25	12.00
YCG60B21S	TMLE100C16MP11	24.5	XAF/XAUD60G	1575	55.0	37.8	14.25	12.00
YCG60B21S	TMLE100C16MP11	24.5	XAF/XAUD60H	1575	56.0	38.5	14.75	12.25
YCG60B21S	TMLE100C16MP11	21.0	XAFC60H	1575	56.0	38.5	14.75	12.25
YCG60B21S	TMLE100C16MP11	21.0	XAHC60G	1575	54.5	37.8	14.25	12.00
YCG60B21S	TMLE100C16MP11	21.0	XAHC60H	1575	56.0	38.5	14.75	12.25
YCG60B21S	TMLE100C16MP11	21.0	XAHD60G	1550	55.0	37.8	14.25	12.00
YCG60B21S	TMLE100C16MP11	24.5	XAHD60H	1575	56.0	38.5	14.75	12.25
YCG60B21S	TMLE100C20MP11	21.0	XAF/XAUD60G	1725	55.5	39.5	14.25	12.00
YCG60B21S	TMLE100C20MP11	24.5	XAF/XAUD60G	1750	55.0	39.5	14.50	12.25
YCG60B21S	TMLE100C20MP11	24.5	XAF/XAUD60H	1725	56.5	40.0	14.50	12.25
YCG60B21S	TMLE100C20MP11	21.0	XAFC60H	1725	56.5	40.0	14.50	12.25
YCG60B21S	TMLE100C20MP11	21.0	XAHC60G	1725	55.5	39.5	14.25	12.00
YCG60B21S	TMLE100C20MP11	21.0	XAHC60H	1725	56.5	40.0	14.50	12.25
YCG60B21S	TMLE100C20MP11	21.0	XAHD60G	1725	55.0	39.5	14.50	12.25
YCG60B21S	TMLE100C20MP11	24.5	XAHD60H	1725	56.5	40.0	14.50	12.25
YCG60B21S	TMLE120C16MP11	21.0	XAF/XAUD60G	1575	55.0	37.8	14.25	12.00
YCG60B21S	TMLE120C16MP11	24.5	XAF/XAUD60G	1575	55.0	37.8	14.25	12.00
YCG60B21S	TMLE120C16MP11	24.5	XAF/XAUD60H	1575	56.0	38.5	14.75	12.25
YCG60B21S	TMLE120C16MP11	21.0	XAFC60H	1575	56.0	38.5	14.75	12.25
YCG60B21S	TMLE120C16MP11	21.0	XAHC60G	1575	55.0	37.8	14.25	12.00
YCG60B21S	TMLE120C16MP11	21.0	XAHC60H	1575	56.0	38.5	14.75	12.25
YCG60B21S	TMLE120C16MP11	21.0	XAHD60G	1575	55.0	37.8	14.25	12.00
YCG60B21S	TMLE120C16MP11	24.5	XAHD60H	1575	56.0	38.5	14.75	12.25
YCG60B21S	TMLE120C20MP11	21.0	XAF/XAUD60G	1750	55.5	39.5	14.50	12.25
YCG60B21S	TMLE120C20MP11	24.5	XAF/XAUD60G	1750	55.5	39.5	14.50	12.25
YCG60B21S	TMLE120C20MP11	24.5	XAF/XAUD60H	1750	57.0	40.5	14.75	12.25
YCG60B21S	TMLE120C20MP11	21.0	XAFC60H	1750	57.0	40.5	14.75	12.25
YCG60B21S	TMLE120C20MP11	21.0	XAHC60G	1750	55.5	39.5	14.50	12.25
YCG60B21S	TMLE120C20MP11	21.0	XAHC60H	1750	57.0	40.5	14.75	12.25
YCG60B21S	TMLE120C20MP11	21.0	XAHD60G	1725	55.5	39.5	14.50	12.25
YCG60B21S	TMLE120C20MP11	24.5	XAHD60H	1750	57.0	40.5	14.75	12.25
YCG60B21S	TMLE130D20MP11	24.5	XAF/XAUD60G	1625	55.5	38.5	14.50	12.25
YCG60B21S	TMLE130D20MP11	24.5	XAF/XAUD60H	1625	56.5	39.0	15.00	12.50
YCG60B21S	TMLE130D20MP11	21.0	XAHD60G	1600	55.5	38.5	14.50	12.25
YCG60B21S	TMLE130D20MP11	24.5	XAHD60H	1625	56.5	39.0	15.00	12.50
YCG60B21S	TMLV080C16MP12C	21.0	CF/CM/CU60C	1700	56.0	42.0	14.25	12.20
YCG60B21S	TMLV080C16MP12C	21.0	CF/CM/CU60D	1700	56.5	42.5	14.50	12.25
YCG60B21S	TMLV100C16MP12C	21.0	CF/CM/CU60C	1700	56.0	42.0	14.25	12.20
YCG60B21S	TMLV100C16MP12C	21.0	CF/CM/CU60D	1700	56.5	42.5	14.50	12.25
YCG60B21S	TMLV100C20MP12C	21.0	CF/CM/CU60C	1550	56.0	40.5	15.00	12.50
YCG60B21S	TMLV100C20MP12C	21.0	CF/CM/CU60D	1550	56.0	40.5	15.25	12.75
YCG60B21S	TMLV100C20MP12C	21.0	CF/CM64D	1550	57.0	41.0	15.50	12.75
YCG60B21S	TMLV120C20MP12C	21.0	CF/CM/CU60C	1550	56.0	40.5	15.00	12.50
YCG60B21S	TMLV120C20MP12C	21.0	CF/CM/CU60D	1550	56.0	40.5	15.25	12.75
YCG60B21S	TMLV120C20MP12C	21.0	CF/CM64D	1550	57.0	41.0	15.50	12.75
YCG60B21S	TMLV120C20MP12C	21.0	XAF/XAUD60G	1550	55.5	37.6	14.75	12.50
YCG60B21S	TMLV120C20MP12C	24.5	XAF/XAUD60G	1550	56.0	37.8	14.75	12.50
YCG60B21S	TMLV120C20MP12C	24.5	XAF/XAUD60H	1550	56.0	38.0	15.00	12.50
YCG60B21S	TMLV120C20MP12C	21.0	XAFC60H	1550	56.0	38.0	15.00	12.50
YCG60B21S	TMLV120C20MP12C	21.0	XAHC60G	1550	56.0	37.8	14.75	12.50
YCG60B21S	TMLV120C20MP12C	21.0	XAHC60H	1550	56.0	38.0	15.00	12.50
YCG60B21S	TMLV120C20MP12C	21.0	XAHD60G	1550	55.5	37.6	14.75	12.50
YCG60B21S	TMLV120C20MP12C	24.5	XAHD60H	1550	56.0	38.0	15.00	12.50
YCG60B21S	TMLX080C16MP11	21.0	CF/CM/CU60C	1525	55.5	40.0	14.75	12.25
YCG60B21S	TMLX080C16MP11	21.0	CF/CM/CU60D	1550	56.0	40.5	14.75	12.25
YCG60B21S	TMLX080C16MP11	21.0	CF/CM64D	1525	56.5	40.5	15.00	12.50
YCG60B21S	TMLX100C16MP11	21.0	CF/CM/CU60C	1525	55.5	40.0	14.75	12.25
YCG60B21S	TMLX100C16MP11	21.0	CF/CM/CU60D	1550	56.0	40.5	14.75	12.25
YCG60B21S	TMLX100C16MP11	21.0	CF/CM64D	1525	56.5	40.5	15.00	12.50
YCG60B21S	TMLX100C20MP11	21.0	CF/CM/CU60C	1550	56.0	40.5	15.00	12.50
YCG60B21S	TMLX100C20MP11	21.0	CF/CM/CU60D	1600	56.5	41.5	15.25	12.75

COOLING CAPACITY - With High Efficiency Motor Furnaces¹ (Continued)

UNIT MODEL	FURNACE		COIL MODEL ²	COOLING				
	MODEL	WIDTH		RATED CFM	NET MBH		SEER	EER
					TOTAL	SENS.		
YCG60B21S	TMLX100C20MP11	21.0	CF/CM64D	1550	57.0	41.0	15.50	12.75
YCG60B21S	TMLX120C20MP11	21.0	CF/CM/CU60C	1550	56.0	40.5	15.00	12.50
YCG60B21S	TMLX120C20MP11	21.0	CF/CM/CU60D	1600	56.5	41.5	15.25	12.75
YCG60B21S	TMLX120C20MP11	21.0	CF/CM64D	1550	57.0	41.0	15.50	12.75
YCG60B21S	TP9C080C16MP13C	21.0	CF/CM/CU60D	1525	54.5	39.0	14.25	12.00
YCG60B21S	TP9C100C16MP13C	21.0	CF/CM/CU60C	1600	56.0	41.0	14.75	12.25
YCG60B21S	TP9C100C16MP13C	21.0	CF/CM/CU60D	1600	56.0	41.0	15.00	12.50
YCG60B21S	TP9C100C16MP13C	21.0	CF/CM64D	1600	57.0	41.5	15.00	12.50
YCG60B21S	TP9C100C16MP13C	21.0	XAF/XAUC60G	1600	55.5	38.0	14.50	12.25
YCG60B21S	TP9C100C16MP13C	24.5	XAF/XAUD60G	1600	55.5	38.0	14.50	12.25
YCG60B21S	TP9C100C16MP13C	24.5	XAF/XAUD60H	1600	56.0	39.0	14.50	12.25
YCG60B21S	TP9C100C16MP13C	21.0	XAFC60H	1600	56.0	39.0	14.75	12.25
YCG60B21S	TP9C100C16MP13C	21.0	XAHC60G	1600	55.5	38.0	14.50	12.25
YCG60B21S	TP9C100C16MP13C	21.0	XAHC60H	1600	56.0	38.5	14.75	12.25
YCG60B21S	TP9C100C16MP13C	21.0	XAHD60G	1625	56.0	38.5	14.50	12.00
YCG60B21S	TP9C100C16MP13C	24.5	XAHD60H	1600	56.0	39.0	14.50	12.25
YCG60B21S	TP9C100C20MP13C	21.0	CF/CM/CU60C	1600	56.0	41.0	14.75	12.25
YCG60B21S	TP9C100C20MP13C	21.0	CF/CM64D	1600	57.0	41.5	15.00	12.50
YCG60B21S	TP9C100C20MP13C	21.0	XAF/XAUC60G	1600	55.5	38.0	14.50	12.25
YCG60B21S	TP9C100C20MP13C	24.5	XAF/XAUD60G	1600	55.5	38.5	14.50	12.25
YCG60B21S	TP9C100C20MP13C	24.5	XAF/XAUD60H	1600	56.0	38.5	14.75	12.25
YCG60B21S	TP9C100C20MP13C	21.0	XAFC60H	1600	56.0	38.5	14.75	12.25
YCG60B21S	TP9C100C20MP13C	21.0	XAHC60G	1600	55.5	38.0	14.50	12.25
YCG60B21S	TP9C100C20MP13C	21.0	XAHC60H	1600	56.0	38.5	14.75	12.25
YCG60B21S	TP9C100C20MP13C	21.0	XAHD60G	1600	55.5	38.0	14.50	12.25
YCG60B21S	TP9C100C20MP13C	24.5	XAHD60H	1600	56.0	39.0	14.75	12.25
YCG60B21S	TP9C120D20MP13C	24.5	CF/CM/CU60D	1575	56.5	41.0	15.25	12.75
YCG60B21S	TP9C120D20MP13C	24.5	CF/CM64D	1575	57.0	41.0	15.50	12.75
YCG60B21S	TP9C120D20MP13C	24.5	XAF/XAUD60G	1575	56.0	38.0	14.75	12.50
YCG60B21S	TP9C120D20MP13C	24.5	XAF/XAUD60H	1575	56.5	38.5	15.00	12.50
YCG60B21S	TP9C120D20MP13C	21.0	XAHD60G	1575	55.5	38.0	14.75	12.50
YCG60B21S	TP9C120D20MP13C	24.5	XAHD60H	1575	56.0	38.5	15.00	12.50
YCG60B21S	TPLC080C16MP13C	21.0	CF/CM/CU60C	1700	56.0	42.0	14.25	12.20
YCG60B21S	TPLC080C16MP13C	21.0	CF/CM/CU60D	1700	56.5	42.5	14.50	12.25
YCG60B21S	TPLC100C16MP13C	21.0	CF/CM/CU60C	1700	56.0	42.0	14.25	12.20
YCG60B21S	TPLC100C16MP13C	21.0	CF/CM/CU60D	1700	56.5	42.5	14.50	12.25
YCG60B21S	TPLC100C20MP13C	21.0	CF/CM/CU60C	1550	56.0	40.5	15.00	12.50
YCG60B21S	TPLC100C20MP13C	21.0	CF/CM/CU60D	1550	56.0	40.5	15.25	12.75
YCG60B21S	TPLC100C20MP13C	21.0	CF/CM64D	1550	57.0	41.0	15.50	12.75
YCG60B21S	TPLC100C20MP13C	21.0	XAF/XAUC60G	1550	55.5	37.6	14.75	12.50
YCG60B21S	TPLC100C20MP13C	24.5	XAF/XAUD60G	1550	56.0	37.8	14.75	12.50
YCG60B21S	TPLC100C20MP13C	24.5	XAF/XAUD60H	1550	56.0	38.0	15.00	12.50
YCG60B21S	TPLC100C20MP13C	21.0	XAFC60H	1550	56.0	38.0	15.00	12.50
YCG60B21S	TPLC100C20MP13C	21.0	XAHC60G	1550	56.0	37.8	14.75	12.50
YCG60B21S	TPLC100C20MP13C	21.0	XAHC60H	1550	56.0	38.0	15.00	12.50
YCG60B21S	TPLC100C20MP13C	21.0	XAHD60G	1550	55.5	37.6	14.75	12.50
YCG60B21S	TPLC100C20MP13C	24.5	XAHD60H	1550	56.0	38.0	15.00	12.50
YCG60B21S	TPLC120C20MP13C	21.0	CF/CM/CU60C	1550	56.0	40.5	15.00	12.50
YCG60B21S	TPLC120C20MP13C	21.0	CF/CM/CU60D	1550	56.0	40.5	15.25	12.75
YCG60B21S	TPLC120C20MP13C	21.0	CF/CM64D	1550	57.0	41.0	15.50	12.75
YCG60B21S	TPLC120C20MP13C	21.0	XAF/XAUC60G	1550	55.5	37.6	14.75	12.50
YCG60B21S	TPLC120C20MP13C	24.5	XAF/XAUD60G	1550	56.0	37.8	14.75	12.50
YCG60B21S	TPLC120C20MP13C	24.5	XAF/XAUD60H	1550	56.0	38.0	15.00	12.50
YCG60B21S	TPLC120C20MP13C	21.0	XAFC60H	1550	56.0	38.0	15.00	12.50
YCG60B21S	TPLC120C20MP13C	21.0	XAHC60G	1550	56.0	37.8	14.75	12.50
YCG60B21S	TPLC120C20MP13C	21.0	XAHC60H	1550	56.0	38.0	15.00	12.50
YCG60B21S	TPLC120C20MP13C	21.0	XAHD60G	1550	55.5	37.6	14.75	12.50
YCG60B21S	TPLC120C20MP13C	24.5	XAHD60H	1550	56.0	38.0	15.00	12.50
YCG60B21S	YP9C080C16MP13C	21.0	CF/CM/CU60D	1525	54.5	39.0	14.25	12.00
YCG60B21S	YP9C100C16MP13C	21.0	CF/CM/CU60C	1600	56.0	41.0	14.75	12.25
YCG60B21S	YP9C100C16MP13C	21.0	CF/CM/CU60D	1600	56.0	41.0	15.00	12.50
YCG60B21S	YP9C100C16MP13C	21.0	CF/CM64D	1600	57.0	41.5	15.00	12.50
YCG60B21S	YP9C100C16MP13C	21.0	XAF/XAUC60G	1600	55.5	38.0	14.50	12.25
YCG60B21S	YP9C100C16MP13C	24.5	XAF/XAUD60G	1600	55.5	38.0	14.50	12.25

COOLING CAPACITY - With High Efficiency Motor Furnaces¹ (Continued)

UNIT MODEL	FURNACE		COIL MODEL ²	COOLING				
	MODEL	WIDTH		RATED CFM	NET MBH		SEER	EER
					TOTAL	SENS.		
YCG60B21S	YP9C100C16MP13C	24.5	XAF/XAUD60H	1600	56.0	39.0	14.50	12.25
YCG60B21S	YP9C100C16MP13C	21.0	XAFC60H	1600	56.0	39.0	14.75	12.25
YCG60B21S	YP9C100C16MP13C	21.0	XAHC60G	1600	55.5	38.0	14.50	12.25
YCG60B21S	YP9C100C16MP13C	21.0	XAHC60H	1600	56.0	38.5	14.75	12.25
YCG60B21S	YP9C100C16MP13C	21.0	XAHD60G	1625	56.0	38.5	14.50	12.00
YCG60B21S	YP9C100C16MP13C	24.5	XAHD60H	1600	56.0	39.0	14.50	12.25
YCG60B21S	YP9C100C20MP13C	21.0	CF/CM/CU60C	1600	56.0	41.0	14.75	12.25
YCG60B21S	YP9C100C20MP13C	21.0	CF/CM64D	1600	57.0	41.5	15.00	12.50
YCG60B21S	YP9C100C20MP13C	21.0	XAF/XAUC60G	1600	55.5	38.0	14.50	12.25
YCG60B21S	YP9C100C20MP13C	24.5	XAF/XAUD60G	1600	55.5	38.5	14.50	12.25
YCG60B21S	YP9C100C20MP13C	24.5	XAF/XAUD60H	1600	56.0	38.5	14.75	12.25
YCG60B21S	YP9C100C20MP13C	21.0	XAFC60H	1600	56.0	38.5	14.75	12.25
YCG60B21S	YP9C100C20MP13C	21.0	XAHC60G	1600	55.5	38.0	14.50	12.25
YCG60B21S	YP9C100C20MP13C	21.0	XAHC60H	1600	56.0	38.5	14.75	12.25
YCG60B21S	YP9C100C20MP13C	21.0	XAHC60G	1600	56.0	38.5	14.75	12.25
YCG60B21S	YP9C100C20MP13C	21.0	XAHD60G	1600	55.5	38.0	14.50	12.25
YCG60B21S	YP9C100C20MP13C	24.5	XAHD60H	1600	56.0	39.0	14.75	12.25
YCG60B21S	YP9C120D20MP13C	24.5	CF/CM/CU60D	1575	56.5	41.0	15.25	12.75
YCG60B21S	YP9C120D20MP13C	24.5	CF/CM64D	1575	57.0	41.0	15.50	12.75
YCG60B21S	YP9C120D20MP13C	24.5	XAF/XAUD60G	1575	56.0	38.0	14.75	12.50
YCG60B21S	YP9C120D20MP13C	24.5	XAF/XAUD60H	1575	56.5	38.5	15.00	12.50
YCG60B21S	YP9C120D20MP13C	21.0	XAHD60G	1575	55.5	38.0	14.75	12.50
YCG60B21S	YP9C120D20MP13C	24.5	XAHD60H	1575	56.0	38.5	15.00	12.50
YCG60B21S	YPLC080C16MP13C	21.0	CF/CM/CU60C	1700	56.0	42.0	14.25	12.20
YCG60B21S	YPLC080C16MP13C	21.0	CF/CM/CU60D	1700	56.5	42.5	14.50	12.25
YCG60B21S	YPLC100C16MP13C	21.0	CF/CM/CU60C	1700	56.0	42.0	14.25	12.20
YCG60B21S	YPLC100C16MP13C	21.0	CF/CM/CU60D	1700	56.5	42.5	14.50	12.25
YCG60B21S	YPLC100C20MP13C	21.0	CF/CM/CU60C	1550	56.0	40.5	15.00	12.50
YCG60B21S	YPLC100C20MP13C	21.0	CF/CM/CU60D	1550	56.0	40.5	15.25	12.75
YCG60B21S	YPLC100C20MP13C	21.0	CF/CM64D	1550	57.0	41.0	15.50	12.75
YCG60B21S	YPLC100C20MP13C	21.0	XAF/XAUC60G	1550	55.5	37.6	14.75	12.50
YCG60B21S	YPLC100C20MP13C	24.5	XAF/XAUD60G	1550	56.0	37.8	14.75	12.50
YCG60B21S	YPLC100C20MP13C	24.5	XAF/XAUD60H	1550	56.0	38.0	15.00	12.50
YCG60B21S	YPLC100C20MP13C	21.0	XAFC60H	1550	56.0	38.0	15.00	12.50
YCG60B21S	YPLC100C20MP13C	21.0	XAHC60G	1550	56.0	37.8	14.75	12.50
YCG60B21S	YPLC100C20MP13C	21.0	XAHC60H	1550	56.0	38.0	15.00	12.50
YCG60B21S	YPLC100C20MP13C	21.0	XAHD60G	1550	55.5	37.6	14.75	12.50
YCG60B21S	YPLC100C20MP13C	24.5	XAHD60H	1550	56.0	38.0	15.00	12.50
YCG60B21S	YPLC120C20MP13C	21.0	CF/CM/CU60C	1550	56.0	40.5	15.00	12.50
YCG60B21S	YPLC120C20MP13C	21.0	CF/CM/CU60D	1550	56.0	40.5	15.25	12.75
YCG60B21S	YPLC120C20MP13C	21.0	CF/CM64D	1550	57.0	41.0	15.50	12.75
YCG60B21S	YPLC120C20MP13C	21.0	XAF/XAUC60G	1550	55.5	37.6	14.75	12.50
YCG60B21S	YPLC120C20MP13C	24.5	XAF/XAUD60G	1550	56.0	37.8	14.75	12.50
YCG60B21S	YPLC120C20MP13C	24.5	XAF/XAUD60H	1550	56.0	38.0	15.00	12.50
YCG60B21S	YPLC120C20MP13C	21.0	XAFC60H	1550	56.0	38.0	15.00	12.50
YCG60B21S	YPLC120C20MP13C	21.0	XAHC60G	1550	56.0	37.8	14.75	12.50
YCG60B21S	YPLC120C20MP13C	21.0	XAHC60H	1550	56.0	38.0	15.00	12.50
YCG60B21S	YPLC120C20MP13C	21.0	XAHD60G	1550	55.5	37.6	14.75	12.50
YCG60B21S	YPLC120C20MP13C	24.5	XAHD60H	1550	56.0	38.0	15.00	12.50

For rated condition information, see the *COOLING CAPACITY - With Air Handler Coils* table footnotes.

- High efficiency motor furnaces have blower off delay (B.O.D) standard.
 - CM coils available with a factory installed horizontal drain pan. Refer to the *Price Pages* for specific model number.
- PSC furnaces use coil only ratings.

APPLICATIONS AND ACCESSORIES

Refer to the *Price Manual* for specific model numbers.

Standard Application Limits*		
Maximum Lineset Equivalent Length	80 ft	
Outdoor Ambient Temperature Limits		
Cooling Operation	Maximum DB	125°F
	Minimum DB	55°F

*For Low Ambient and/or Long Lineset Applications, see the accessories listed below.

Non-Standard Lineset Applications - For installations with reduced diameter or long linesets, refer to the current version of the *Piping Application Guide* P/N 247077, available in the *Application Bulletins* section on www.simplygettingthejobdone.com.

OD Unit Anti Short Cycle Kit (10 Pack) (S1-2TD08700124BK): A time delay that prevents rapid compressor restarting as a result of power interruption, limit switch operation, or thermostat resetting. Not required for HP models or for AC models with factory electronic controls.

Standard Low Ambient Control Kit (S1-2LA06700424): Allows the use of air conditioning at low outdoor ambient temperatures down to +20°F (-7°C). For use with all R-410A single-stage AC and HP models.

Outdoor Communicating Board Kit (S1-33102952310): Electronic control upgrade for standard AC units to provide compatibility with the residential Touch Screen Communicating Control.

Start Assist Kit (S1-2SA067**)**: Provides increased compressor starting torque for areas with low supply voltage. Required for units with reciprocating compressors when applied with indoor TXV, and for all units when applied with long linesets or low ambient kits. May be factory installed on select AC and HP units (see the *PHYSICAL AND ELECTRICAL DATA* table). Refer to the *Price Pages* or Source 1 SmartSearch for the correct kit for each application.

Compressor Crankcase Heater Kit (S1-025-**-*)**: A wrap-around electrical resistance heater that warms the compressor sump, reducing the chance of liquid slugging on startup. Required on all long lineset and low ambient applications. Refer to the *Price Pages* or Source 1 SmartSearch for the correct part for each application.

Anchor Bracket Kit (S1-1HK0601): Firmly anchors unit to pad or support structure. When properly installed, approved for ground-mounted or roof-mounted applications.

Indoor TXV Kit (S1-1TVM**)**: Thermal expansion valves precisely meter refrigerant for optimum performance over a wide range of conditions. See the *SYSTEM CHARGE FOR VARIOUS MATCHED SYSTEMS* table or refer to the *Price Pages* or Source 1 Smart Search for the TXV part number for each AC and HP model.

Winter Cover Kit (S1-CCVRE**)**: Custom fit winter cover protects AC condensing unit from debris during the off-season. Remove before unit operation. Refer to the *Price Pages* or Source 1 SmartSearch for the correct cover for each application.

Cold Weather Charging Tent (S1-CHGTENT01): Provides warm environment to accurately service AC and HP systems in ambient conditions 55°F (13°C) or colder.

Touch-up Paint (S1-5130153**)**: Color matched aerosol paint for touching up unit chassis and panels. Refer to the *Price Pages* or Source 1 SmartSearch for the correct color for each application.

Compressor Sound Blanket (S1-010-07xxx-000): A field installed dense foam cover that provides 2 dBA sound level reduction. Refer to the *Price Pages* or Source 1 SmartSearch for the correct blanket for each application.

Thermostat: Compatible thermostat controls are available through accessory sourcing. For optimum performance, these outdoor units are fully compatible with our residential Hx™ Touch Screen Thermostats available through Source 1. For more information, refer to the *Thermostats & Controllers* section of the *Offering Catalog*.

SOUND POWER RATINGS

Cooling Model Number	Octave Band Sound Power Level (db re. 1-pW)									
	63	125	250	500	1000	2000	4000	8000	dBA	SQI
YCG18B21S	71	70	67	68	70	64	58	56	72	19.1
YCG24B21S	70	70	66	70	70	63	58	55	72	19.1
YCG30B21S	67	69	65	66	67	62	54	50	72	19.2
YCG36B21S	66	69	62	68	68	68	56	53	72	19.0
YCG42B21S	69	73	69	71	70	63	56	53	73	19.1
YCG48B21S	72	74	72	71	71	63	56	55	74	19.1
YCG60B21S	71	74	73	71	69	63	58	57	74	19.1

Rated in accordance with ARI Standard 270.

MECHANICAL SPECIFICATIONS

MANUFACTURE AND CERTIFICATIONS

- Units shall be manufactured in an ISO 9001 certified facility.
- Units shall be certified by CSA to UL 1995/CSA 22.2 and performance certified to ANSI/AHRI Standard 210/240.
- Units shall be sound tested according to ANSI/AHRI Standard 270.
- Certified matched system ratings shall be available for download from the AHRI online directory at www.ahridirectory.org
- Unit packaging shall be marked, "Assembled in the USA".
- Unit shall be labeled with the ENERGY STAR logo.

UNIT APPLICATION

- Units shall be approved for cooling operation between 55°F and 125°F without modification.
- Units shall be approved for linesets up to 80 ft equivalent length without modification.
- Units shall be approved for installation within 6 in. of a flat vertical wall without modification, according to the instructions in the technical literature.
- Units shall be certified to the 5th Edition (2014) of the Florida Building Code for a combined allowable lateral and uplift wind force of 200 psf and 100 psf, respectively, for both ground-mounted and rooftop-mounted applications up to 200 ft above grade with approved mounting kit.
- Units shall be designed to 74 dBA or less to minimize sound pollution.

UNIT ACCESS

- Units shall have a removable fan guard that can be removed independently of the top for interior access through the top of the unit without damaging the coil.
- Units shall have two removable stamped steel coil guards for exterior coil access.
- Units shall have a separate compartment for electrical controls that can be accessed without disturbing the unit airflow.
- Units shall have a blockoff panel that can be removed to provide interior unit access through the side of the unit.
- Units shall have a removable blockoff panel and a swing away removable electrical panel that provides sufficient interior unit access for removing the compressor through the side of the unit.

UNIT CONSTRUCTION

- Units shall be shipped completely wired, piped, and assembled. Wiring pigtails shall be provided for field control wiring connections. Service valves shall be provided for field refrigerant line connections.

- Units shall be factory leak checked, run tested, and shipped with a holding charge of R-410A refrigerant.
- Unit cabinet components shall be G90 equivalent steel finished with powder-coat paint rated at a minimum of 750 h under ASTM B117 testing.
- Unit base pan shall be stamped G90 equivalent steel finished with powder-coat paint rated at a minimum of 750 h under ASTM B117 testing.
- Units shall have a single corner post opposite the electrical control box and two independently removable steel coil guard panels to optimize cabinet strength and serviceability.
- Units shall have L-shaped stamped sheet metal coil guards with punched and extruded slots for maximum panel durability and stiffness.
- Units shall have a factory installed filter-drier for faster installation and improved system reliability.
- Unit base valves shall be mounted diagonally on the unit base pan with service ports that provide sufficient clearance for low-loss hose fittings.
- Units shall be constructed with a high-pressure switch and a low-pressure switch for system protection.
- Units shall be constructed with all badging and labels applied at the factory.

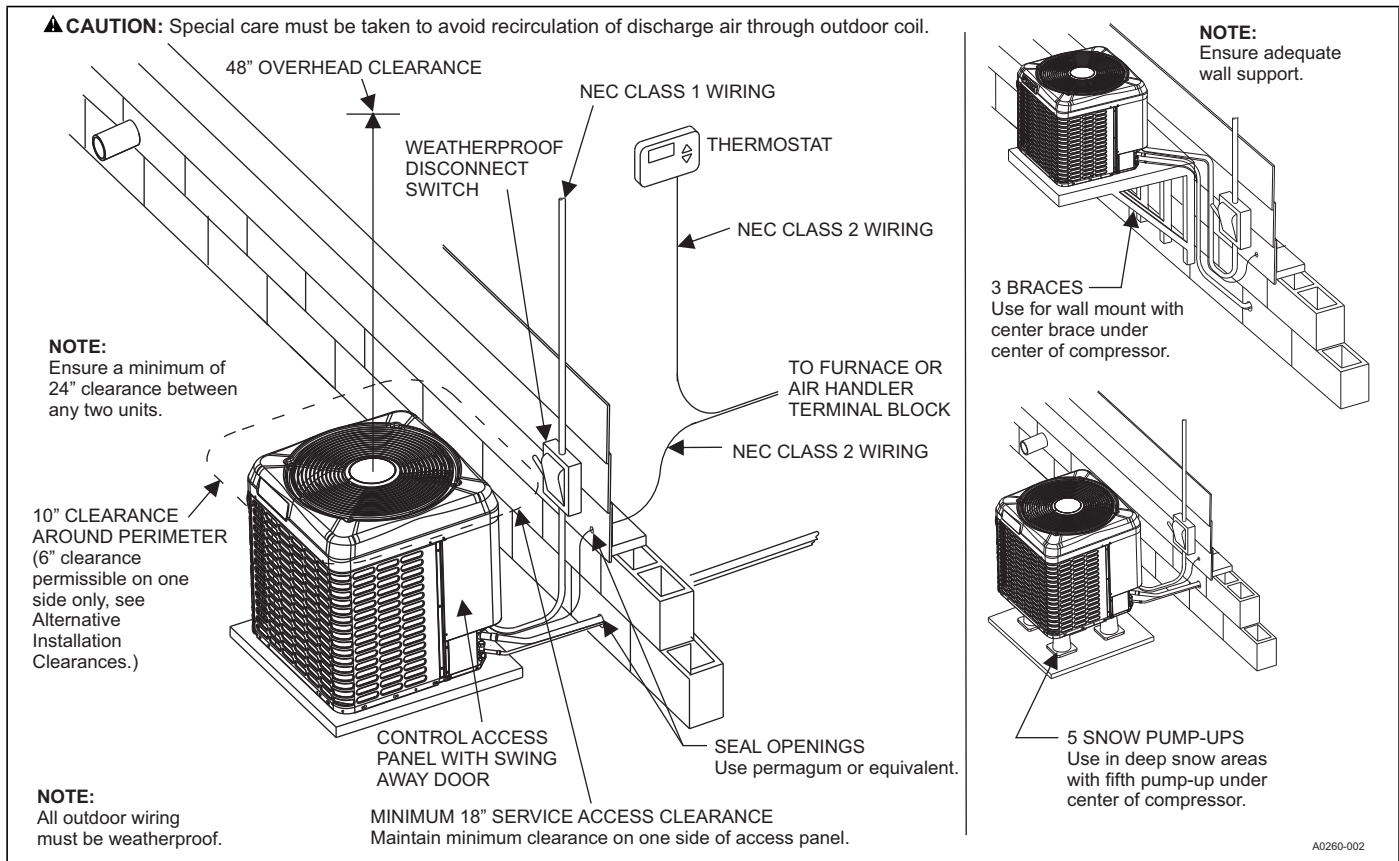
UNIT COMPONENTS

- Compressor shall be hermetic with internal electrical overload protection and internal overpressure protection.
- Compressor shall be mounted on rubber vibration isolators that do not require the removal of transportation clips or brackets.
- Units shall be constructed with scroll compressors.
- Outdoor fan shall be direct drive with vertical air discharge for low sound levels.
- Outdoor fan blades shall be swept-wing to minimize sound. Applies to select models.
- Outdoor fan motor shall be ECM construction with permanently lubricated ball bearing motors approved for vertical shaft applications.
- Outdoor coil shall be air cooled and have zinc-coated aluminum microchannel construction for small size and low weight.

UNIT WARRANTIES

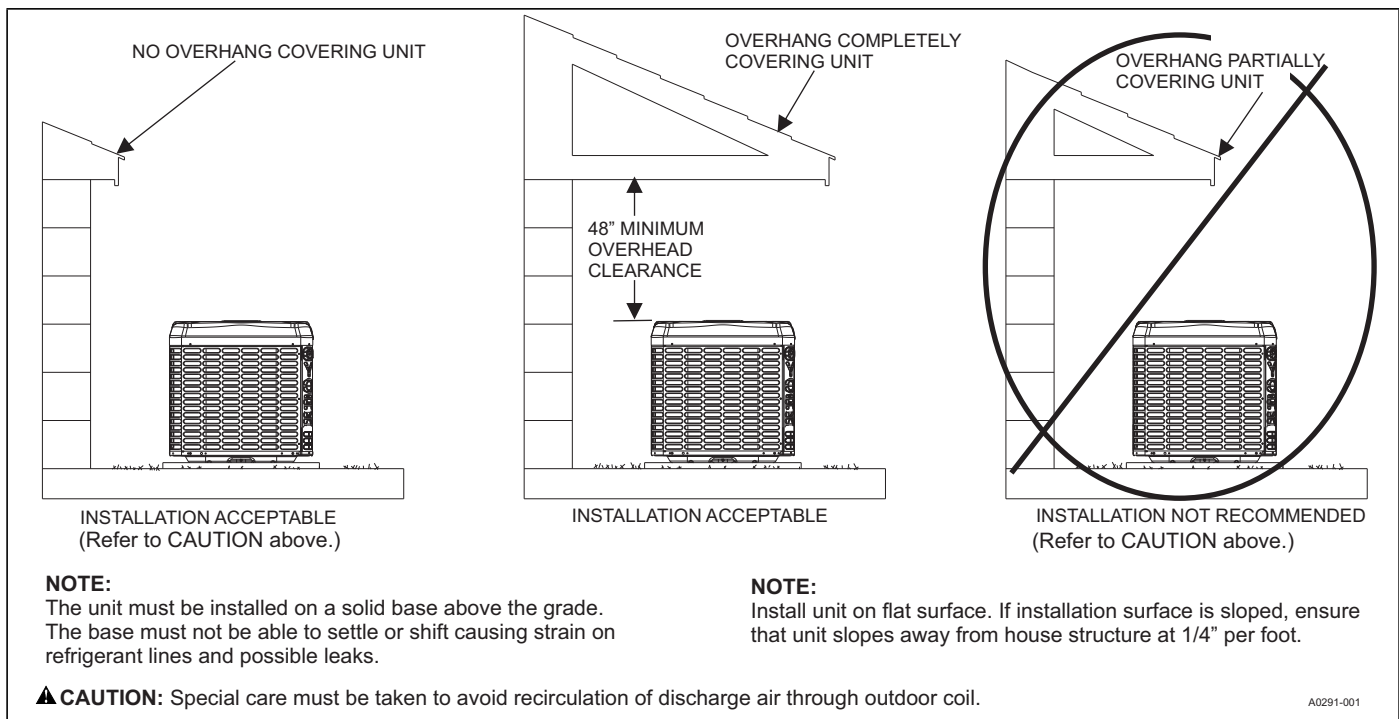
- Unit manufacturer shall provide a 10-year compressor warranty without a requirement for unit registration.
- Unit manufacturer shall provide a 5-year parts warranty without a requirement for unit registration.

TYPICAL INSTALLATION

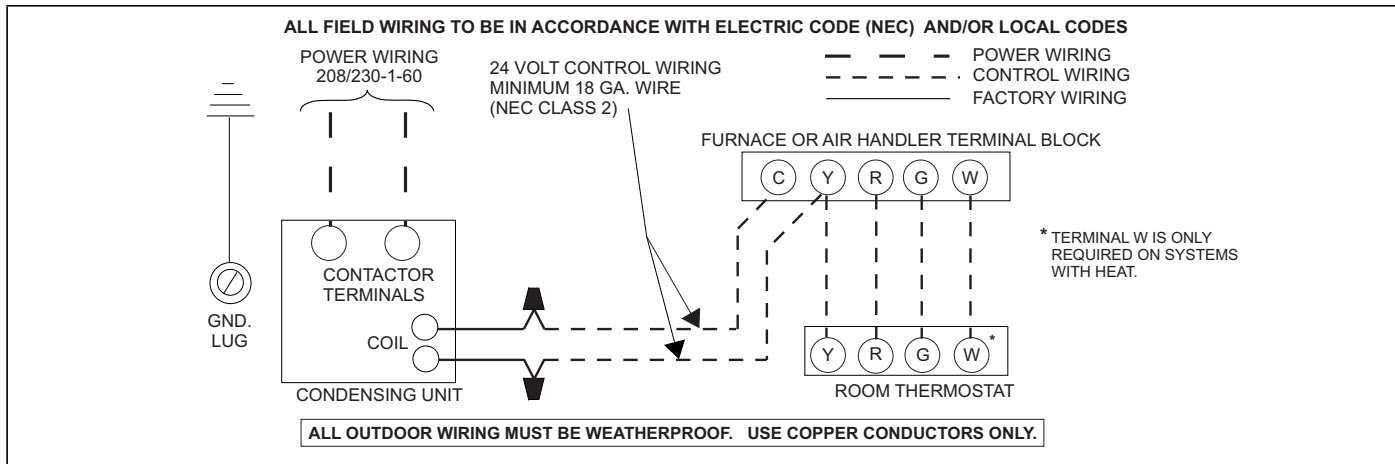


▲ CAUTION

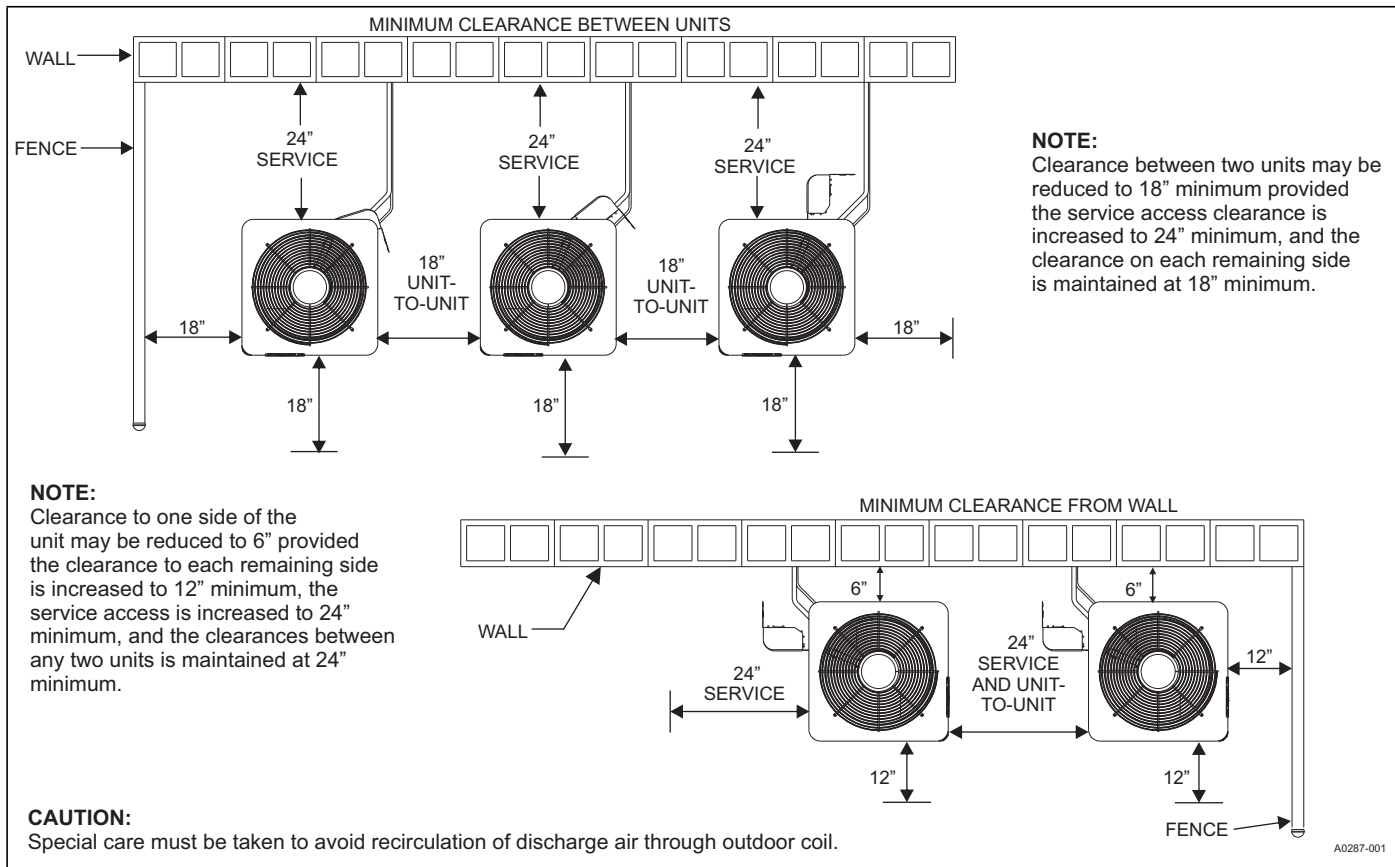
Care must be taken to prevent ice from damaging the unit. Damage may occur from ice falling onto unit from a sloped roof or from a vertical drip line due to a partial overhang.



TYPICAL FIELD WIRING



ALTERNATIVE INSTALLATION CLEARANCES



PERFORMANCE DATA - 1.5 TON

CONDENSER-ONLY DATA (OUTDOOR UNIT)																		
MODEL	SATURATED SUCTION AT COMPRESSOR		Outdoor Ambient Temperature															
			55°F		65°F		75°F		85°F		95°F		105°F		115°F		125°F	
	T (°F)	P (PSIG)	MBH	kW	MBH	kW	MBH	kW	MBH	kW	MBH	kW	MBH	kW	MBH	kW	MBH	kW
YCG18B21S	35	107	16.9	0.97	15.8	1.09	14.8	1.21	13.9	1.34	12.9	1.49	11.9	1.66	10.8	1.86	9.7	2.09
	40	118	18.5	0.96	17.4	1.07	16.4	1.19	15.4	1.32	14.4	1.47	13.3	1.65	12.2	1.85	10.9	2.08
	45	130	20.3	0.93	19.1	1.05	18.1	1.17	17.0	1.31	15.9	1.46	14.8	1.63	13.6	1.84	12.2	2.06
	50	142	22.2	0.91	21.0	1.03	19.8	1.15	18.7	1.29	17.6	1.44	16.4	1.62	15.1	1.82	13.7	2.04
	55	156	24.1	0.89	22.9	1.01	21.7	1.13	20.6	1.27	19.4	1.42	18.1	1.60	16.8	1.80	15.3	2.02

Notes:

- For outdoor unit (condenser) performance only. Data does not include the effects of air handler power or heat.
- Performance based on 15°F subcooling and 15°F superheat at the outdoor unit base valves.
 - Increase capacity by 1% for each 2°F increase in subcooling.
 - Decrease capacity by 1% for each 2°F decrease in subcooling.
- Maximum recommended condensing temperature is 140°F.

COOLING PERFORMANCE DATA																
OUTDOOR UNIT MODEL NO.		YCG18B21S														
INDOOR COIL MODEL NO.		CF18AXA1														
AIR TEMPERATURE ENTERING OUTDOOR UNIT (°F)	ID CFM	450					600					750				
	ID DB (°F)	80	80	75	80	80	80	80	75	80	80	80	80	75	80	80
	ID WB (°F)	57	62	62	67	72	57	62	62	67	72	57	62	62	67	72
55	T.C.	16.3	18.3	18.2	20.2	22.0	17.7	19.3	19.2	21.2	22.8	19.1	20.3	20.1	22.1	23.6
	S.C.	15.7	15.1	13.1	12.9	10.7	17.1	17.2	14.8	14.6	11.7	18.4	19.4	16.5	16.2	12.8
	kW	0.88	0.87	0.87	0.86	0.85	0.92	0.92	0.92	0.91	0.90	0.97	0.97	0.97	0.96	0.95
65	T.C.	15.7	17.7	17.6	19.4	21.4	17.2	18.6	18.5	20.4	22.3	18.6	19.5	19.4	21.3	23.1
	S.C.	15.1	14.7	12.8	12.6	10.4	16.5	16.7	14.6	14.3	11.6	18.0	18.7	16.3	16.1	12.7
	kW	0.98	0.97	0.97	0.97	0.95	1.02	1.02	1.02	1.02	1.00	1.07	1.07	1.07	1.07	1.05
75	T.C.	15.2	17.0	17.0	18.6	20.8	16.7	17.8	17.8	19.5	21.7	18.1	18.6	18.6	20.4	22.5
	S.C.	14.6	14.3	12.5	12.3	10.2	16.0	16.1	14.3	14.1	11.4	17.5	18.0	16.1	15.9	12.7
	kW	1.08	1.08	1.07	1.07	1.04	1.13	1.13	1.12	1.12	1.10	1.17	1.18	1.17	1.17	1.15
85	T.C.	14.7	16.1	16.2	17.8	19.9	16.0	16.9	16.9	18.7	20.7	17.3	17.8	17.7	19.5	21.5
	S.C.	14.2	13.8	12.0	12.0	9.8	15.4	15.4	13.7	13.8	11.0	16.7	17.1	15.5	15.6	12.2
	kW	1.23	1.23	1.22	1.22	1.18	1.27	1.27	1.26	1.26	1.23	1.31	1.32	1.31	1.30	1.28
95	T.C.	14.3	15.2	15.4	17.1	18.9	15.4	16.0	16.0	17.8	19.7	16.5	16.9	16.7	18.5	20.5
	S.C.	13.7	13.3	11.5	11.6	9.4	14.8	14.7	13.2	13.4	10.6	15.8	16.2	14.8	15.2	11.8
	kW	1.37	1.38	1.36	1.36	1.32	1.41	1.42	1.41	1.40	1.37	1.44	1.46	1.45	1.43	1.42
105	T.C.	13.5	14.2	14.3	16.0	17.8	14.6	15.1	14.9	16.7	18.5	15.6	15.9	15.5	17.3	19.2
	S.C.	13.1	12.8	11.1	11.2	9.0	14.0	14.1	12.6	13.0	10.2	15.0	15.3	14.1	14.7	11.4
	kW	1.71	1.66	1.64	1.61	1.58	1.71	1.68	1.68	1.64	1.62	1.71	1.70	1.72	1.67	1.67
115	T.C.	12.9	13.4	13.4	15.0	16.7	13.8	14.2	13.9	15.6	17.3	14.7	15.0	14.4	16.1	17.9
	S.C.	12.4	12.4	10.8	10.9	8.6	13.3	13.4	12.1	12.5	9.8	14.2	14.4	13.5	14.2	11.0
	kW	2.03	1.94	1.91	1.86	1.83	2.00	1.94	1.95	1.88	1.87	1.97	1.94	1.99	1.91	1.91
125	T.C.	12.2	12.5	12.4	14.0	15.6	13.0	13.3	12.9	14.5	16.1	13.9	14.1	13.4	15.0	16.6
	S.C.	11.7	12.0	10.4	10.5	8.3	12.5	12.8	11.6	12.1	9.4	13.4	13.5	12.9	13.7	10.6
	kW	2.35	2.22	2.18	2.10	2.09	2.29	2.20	2.22	2.12	2.12	2.23	2.18	2.26	2.15	2.15

Note: All capacities include indoor fan heat. kW values are for the system (outdoor + indoor).

Green shaded cells are ACCA (TVA) conditions.

Blue shaded cells are AHRI conditions.

Multipliers for determining the performance with other indoor sections

Note: For dry bulb temperatures different than those listed (between 73°F to 87°F), sensible capacity increases by 1060 BTUH per 1000 CFM per degree above the listed temperature and decreases by 1060 BTUH per 1000 CFM per degree below the listed temperature.

COIL MULTIPLIERS - 1.5 TON

Air Handler	Coil	T.C.	S.C.	kW
—	CF/CM/CU18A	1.00	1.00	1.00
—	CF/CM/CU18B	1.00	1.00	1.00
—	CF/CM/CU24A	1.01	1.01	1.01
—	CF/CM/CU24B	1.01	1.01	1.01
—	CF/CM/CU24C	1.01	1.01	1.01
—	CF/CM/CU30A	1.01	1.00	0.99
—	CF/CM/CU30B	1.01	1.00	0.99
—	CF/CM/CU30C	1.01	1.00	0.99
—	CF/CM/CU30D	1.01	1.00	0.99
—	CF/CM/CU36B	1.01	1.01	0.99
—	CF/CM/CU36C	1.01	1.01	0.99
—	CF/CM/CU36D	1.01	1.01	0.99
—	CF/CM36A	1.01	1.01	0.99
—	XAF/XAUA24B	1.01	1.05	1.01
—	XAFB24B	1.01	1.05	1.01
—	XAHA24B	1.01	1.05	1.01
—	XAHB24B	1.01	1.05	1.01
AE18BX21	—	1.01	1.03	0.86
AE24BX21	—	1.01	1.01	0.86
AE30BX21	—	1.01	1.02	0.86
AE36BX21	—	1.01	1.05	0.90
AE36CX21	—	1.01	1.04	0.87
AP18BX21	—	1.01	1.01	0.97
AP24BX21	—	1.01	1.01	0.99
AP30BX21	—	1.01	1.01	0.99
AVC18BX21	—	1.01	1.01	0.89
AVC24BX21	—	1.01	1.01	0.87
AVC30BX21	—	1.01	1.00	0.86
ME08BN21	CF/CM18B	1.01	1.02	0.86
ME08BN21	CF/CM24B	1.01	1.01	0.86
ME08BN21	CF/CM30B	1.01	1.00	0.86
ME08BN21	CF/CM36B	1.01	1.01	0.86
ME12BN21	CF/CM18B	1.01	1.06	0.94
ME12BN21	CF/CM24B	1.01	1.05	0.92
ME12BN21	CF/CM30B	1.01	1.04	0.90
ME12BN21	CF/CM36B	1.01	1.04	0.90
MVC08BN21	CF/CM18B	1.01	1.02	0.87
MVC08BN21	CF/CM24B	1.01	1.05	0.86
MVC08BN21	CF/CM30B	1.01	1.04	0.86
MVC08BN21	CF/CM36B	1.01	1.04	0.87
MVC12BN21	CF/CM36B	1.01	1.04	0.87

FURNACE MULTIPLIERS - 1.5 TON

Furnaces	Coil	T.C.	S.C.	kW
TL8E060A12UH11	CF/CM/CU18A	1.01	1.06	0.92
TL8E060A12UH11	CF/CM/CU18B	1.01	1.13	0.87
TL8E060A12UH11	CF/CM/CU24A	1.01	1.06	0.89
TL8E060A12UH11	CF/CM/CU24B	1.01	1.08	0.87
TL8E060A12UH11	CF/CM/CU30A	1.01	1.09	0.87
TL8E060A12UH11	CF/CM/CU30B	1.01	1.11	0.86
TL8E060A12UH11	CF/CM/CU36B	1.01	1.11	0.86
TL8E060A12UH11	CF/CM/CU36C	1.01	1.10	0.86
TL8E060A12UH11	CF/CM24C	1.01	1.10	0.86
TL8E060A12UH11	CF/CM30C	1.01	1.09	0.86
TL8E060A12UH11	CF/CM36A	1.01	1.07	0.86
TL8E060A12UH11	XAF/XAUA24B	1.01	1.04	0.89
TL8E060A12UH11	XAFB24B	1.01	1.07	0.88
TL8E060A12UH11	XAHA24B	1.01	1.04	0.89
TL8E060A12UH11	XAHB24B	1.01	1.07	0.88
TL9E060B12UH11	CF/CM/CU18B	1.01	1.09	0.89
TL9E060B12UH11	CF/CM/CU24B	1.01	1.08	0.87
TL9E060B12UH11	CF/CM/CU30B	1.01	1.06	0.87
TL9E060B12UH11	CF/CM/CU36B	1.01	1.09	0.86
TL9E060B12UH11	CF/CM/CU36C	1.01	1.12	0.86
TL9E060B12UH11	CF/CM24C	1.01	1.08	0.87
TL9E060B12UH11	CF/CM30C	1.01	1.09	0.86
TL9E060B12UH11	XAFB24B	1.01	1.07	0.89
TL9E060B12UH11	XAHB24B	1.01	1.07	0.89
TM8E040A12MP11	CF/CM/CU18A	1.01	1.09	0.90
TM8E040A12MP11	CF/CM/CU18B	1.01	1.10	0.89
TM8E040A12MP11	CF/CM/CU24A	1.01	1.08	0.87
TM8E040A12MP11	CF/CM/CU24B	1.01	1.12	0.89
TM8E040A12MP11	CF/CM/CU30A	1.01	1.15	0.89
TM8E040A12MP11	CF/CM/CU30B	1.01	1.10	0.86
TM8E040A12MP11	CF/CM/CU36B	1.01	1.11	0.86
TM8E040A12MP11	CF/CM36A	1.01	1.09	0.86
TM8E040A12MP11	XAF/XAUA24B	1.01	1.07	0.89
TM8E040A12MP11	XAFB24B	1.01	1.10	0.88
TM8E040A12MP11	XAHA24B	1.01	1.07	0.89
TM8E040A12MP11	XAHB24B	1.01	1.09	0.88
TM8E060A12MP11	CF/CM/CU18A	1.01	1.14	0.92
TM8E060A12MP11	CF/CM/CU24A	1.01	1.18	0.90
TM8E060A12MP11	CF/CM/CU30A	1.01	1.15	0.89
TM8E060A12MP11	CF/CM36A	1.01	1.13	0.87
TM8E060A12MP11	XAF/XAUA24B	1.01	1.15	0.92
TM8E060A12MP11	XAHA24B	1.01	1.15	0.92
TM8E080B12MP11	CF/CM/CU18B	1.01	1.14	0.89
TM8E080B12MP11	CF/CM/CU24B	1.01	1.18	0.89
TM8E080B12MP11	CF/CM/CU30B	1.01	1.15	0.87
TM8E080B12MP11	CF/CM/CU36B	1.01	1.13	0.86
TM8E080B12MP11	XAFB24B	1.01	1.15	0.89
TM8E080B12MP11	XAHB24B	1.01	1.13	0.89
TM8E100B12MP11	CF/CM/CU18B	1.01	1.13	0.89
TM8E100B12MP11	CF/CM/CU24B	1.01	1.18	0.89
TM8E100B12MP11	CF/CM/CU30B	1.01	1.15	0.86
TM8E100B12MP11	CF/CM/CU36B	1.01	1.13	0.86
TM8E100B12MP11	CF/CM/CU36C	1.01	1.13	0.86
TM8E100B12MP11	CF/CM24C	1.01	1.18	0.89
TM8E100B12MP11	CF/CM30C	1.01	1.14	0.86

FURNACE MULTIPLIERS - 1.5 TON (Continued)

Furnaces	Coil	T.C.	S.C.	kW
TM8E100B12MP11	XAFB24B	1.01	1.13	0.89
TM8E100B12MP11	XAHB24B	1.01	1.13	0.89
TM8V060A12MP12C	CF/CM/CU18A	1.01	1.07	0.90
TM8V060A12MP12C	CF/CM/CU24A	1.01	1.07	0.89
TM8V060A12MP12C	CF/CM/CU30A	1.01	1.06	0.87
TM8V060A12MP12C	CF/CM36A	1.01	1.07	0.86
TM8V060A12MP12C	XAF/XAUA24B	1.01	1.07	0.89
TM8V060A12MP12C	XAFB24B	1.01	1.07	0.88
TM8V060A12MP12C	XAHA24B	1.01	1.07	0.89
TM8V060A12MP12C	XAHB24B	1.01	1.07	0.88
TM8V080B12MP12C	CF/CM/CU18B	1.01	1.07	0.90
TM8V080B12MP12C	CF/CM/CU24B	1.01	1.07	0.89
TM8V080B12MP12C	CF/CM/CU30B	1.01	1.06	0.87
TM8V080B12MP12C	CF/CM/CU36B	1.01	1.07	0.87
TM8V080B12MP12C	XAFB24B	1.01	1.07	0.92
TM8V080B12MP12C	XAHB24B	1.01	1.07	0.92
TM8X060A12MP11	CF/CM/CU18A	1.01	1.07	0.89
TM8X060A12MP11	CF/CM/CU24A	1.01	1.07	0.89
TM8X060A12MP11	CF/CM/CU30A	1.01	1.06	0.86
TM8X060A12MP11	CF/CM36A	1.01	1.07	0.86
TM8X080B12MP11	CF/CM/CU18B	1.01	1.10	0.89
TM8X080B12MP11	CF/CM/CU24B	1.01	1.10	0.89
TM8X080B12MP11	CF/CM/CU30B	1.01	1.10	0.86
TM8X080B12MP11	CF/CM/CU36B	1.01	1.10	0.86
TM8X080C16MP11	CF/CM/CU30C	1.01	1.11	0.86
TM8X080C16MP11	CF/CM/CU36C	1.01	1.11	0.87
TM8X100C16MP11	CF/CM/CU30C	1.01	1.11	0.86
TM8X100C16MP11	CF/CM/CU36C	1.01	1.11	0.87
TM8Y060A12MP11	CF/CM/CU18A	1.01	1.07	0.89
TM8Y060A12MP11	CF/CM/CU24A	1.01	1.07	0.89
TM8Y060A12MP11	CF/CM/CU30A	1.01	1.06	0.86
TM8Y060A12MP11	CF/CM36A	1.01	1.07	0.86
TM8Y060A12MP11	XAF/XAUA24B	1.01	1.07	0.92
TM8Y060A12MP11	XAFB24B	1.01	1.09	0.88
TM8Y060A12MP11	XAHA24B	1.01	1.07	0.92
TM8Y060A12MP11	XAHB24B	1.01	1.07	0.88
TM8Y080B12MP11	CF/CM/CU18B	1.01	1.10	0.89
TM8Y080B12MP11	CF/CM/CU24B	1.01	1.10	0.89
TM8Y080B12MP11	CF/CM/CU30B	1.01	1.10	0.86
TM8Y080B12MP11	CF/CM/CU36B	1.01	1.10	0.86
TM8Y080B12MP11	XAFB24B	1.01	1.09	0.89
TM8Y080B12MP11	XAHB24B	1.01	1.09	0.89
TM8Y080C16MP11	CF/CM/CU30C	1.01	1.11	0.86
TM8Y080C16MP11	CF/CM/CU36C	1.01	1.11	0.87
TM8Y100C16MP11	CF/CM/CU30C	1.01	1.11	0.86
TM8Y100C16MP11	CF/CM/CU36C	1.01	1.11	0.87
TM9E026A08MP12	CF/CM/CU18A	0.99	0.97	0.91
TM9E026A08MP12	CF/CM/CU18B	0.99	0.97	0.91
TM9E026A08MP12	CF/CM/CU24A	1.01	0.98	0.92
TM9E026A08MP12	CF/CM/CU24B	1.01	1.08	0.92
TM9E026A08MP12	CF/CM/CU30A	1.01	1.05	0.92
TM9E026A08MP12	CF/CM/CU30B	1.01	1.06	0.92
TM9E026A08MP12	CF/CM/CU36B	1.01	1.07	0.89
TM9E026A08MP12	CF/CM36A	1.01	1.03	0.92
TM9E026A08MP12	XAF/XAUA24B	1.01	1.02	0.92

FURNACE MULTIPLIERS - 1.5 TON (Continued)

Furnaces	Coil	T.C.	S.C.	kW
TM9E026A08MP12	XAFB24B	1.01	0.96	0.92
TM9E026A08MP12	XAHA24B	1.01	1.01	0.92
TM9E026A08MP12	XAHB24B	1.01	1.02	0.92
TM9E040A10MP11	CF/CM/CU18A	0.96	0.94	0.89
TM9E040A10MP11	CF/CM/CU24A	0.97	0.94	0.89
TM9E040A10MP11	CF/CM/CU30A	0.98	0.95	0.89
TM9E040A10MP11	CF/CM36A	0.99	0.95	0.88
TM9E040A10MP12	CF/CM/CU18A	1.01	1.06	0.92
TM9E040A10MP12	CF/CM/CU18B	1.01	1.08	0.92
TM9E040A10MP12	CF/CM/CU24A	1.01	1.06	0.92
TM9E040A10MP12	CF/CM/CU24B	1.01	1.08	0.92
TM9E040A10MP12	CF/CM/CU30A	1.01	1.04	0.92
TM9E040A10MP12	CF/CM/CU30B	1.01	1.06	0.90
TM9E040A10MP12	CF/CM/CU36B	1.01	1.07	0.90
TM9E040A10MP12	CF/CM36A	1.01	1.05	0.92
TM9E040A10MP12	XAF/XAUA24B	1.01	1.04	0.92
TM9E040A10MP12	XAFB24B	1.01	1.07	0.92
TM9E040A10MP12	XAHA24B	1.01	1.04	0.92
TM9E040A10MP12	XAHB24B	1.01	1.07	0.92
TM9E060A10MP12	CF/CM/CU18A	1.01	1.11	0.92
TM9E060A10MP12	CF/CM/CU18B	1.01	1.13	0.92
TM9E060A10MP12	CF/CM/CU24A	1.01	1.10	0.92
TM9E060A10MP12	CF/CM/CU24B	1.01	1.12	0.92
TM9E060A10MP12	CF/CM/CU30A	1.01	1.10	0.90
TM9E060A10MP12	CF/CM/CU30B	1.01	1.11	0.89
TM9E060A10MP12	CF/CM/CU36B	1.01	1.12	0.87
TM9E060A10MP12	CF/CM36A	1.01	1.10	0.89
TM9E060A10MP12	XAF/XAUA24B	1.01	1.10	0.92
TM9E060A10MP12	XAFB24B	1.01	1.13	0.92
TM9E060A10MP12	XAHA24B	1.01	1.09	0.92
TM9E060A10MP12	XAHB24B	1.01	1.10	0.92
TM9E060B12MP11	CF/CM/CU18B	1.01	1.11	0.89
TM9E060B12MP11	CF/CM/CU24B	1.01	1.10	0.87
TM9E060B12MP11	CF/CM/CU30B	1.01	1.10	0.86
TM9E060B12MP11	CF/CM/CU36B	1.01	1.10	0.86
TM9E060B12MP11	CF/CM/CU36C	1.01	1.12	0.85
TM9E060B12MP11	CF/CM24C	1.01	1.10	0.87
TM9E060B12MP11	CF/CM30C	1.01	1.10	0.86
TM9E060B12MP12	XAFB24B	1.01	1.14	0.92
TM9E060B12MP12	XAHB24B	1.01	1.14	0.92
TM9E080B12MP11	CF/CM/CU30B	1.01	1.11	0.87
TM9E080B12MP11	CF/CM/CU36B	1.01	1.11	0.87
TM9E080C16MP11	CF/CM/CU36C	1.01	1.06	0.85
TM9E080C16MP11	CF/CM24C	1.01	1.06	0.86
TM9E080C16MP11	CF/CM30C	1.01	1.05	0.85
TM9E080C16MP11	CF/CM36D	1.01	1.06	0.85
TM9E100C16MP11	CF/CM/CU24C	1.01	1.07	0.87
TM9E100C16MP11	CF/CM/CU30C	1.01	1.06	0.86
TM9E100C16MP11	CF/CM/CU30D	1.01	1.08	0.86
TM9E100C16MP11	CF/CM/CU36C	1.01	1.09	0.86
TM9E100C16MP11	CF/CM/CU36D	1.01	1.09	0.86
TM9V040A10MP12C	CF/CM/CU18A	1.00	0.99	0.91
TM9V040A10MP12C	CF/CM/CU18B	1.01	1.00	0.90
TM9V040A10MP12C	CF/CM/CU24A	1.01	1.00	0.90
TM9V040A10MP12C	CF/CM/CU24B	1.01	1.00	0.90

FURNACE MULTIPLIERS - 1.5 TON (Continued)

Furnaces	Coil	T.C.	S.C.	kW
TM9V040A10MP12C	CF/CM/CU30A	1.01	1.00	0.90
TM9V040A10MP12C	CF/CM/CU30B	1.01	1.05	0.89
TM9V040A10MP12C	CF/CM/CU36B	1.01	0.99	0.89
TM9V040A10MP12C	CF/CM36A	1.01	0.99	0.89
TM9V040A10MP12C	XAF/XAUA24B	1.01	0.99	0.92
TM9V040A10MP12C	XAFB24B	1.01	0.99	0.92
TM9V040A10MP12C	XAHA24B	1.01	0.99	0.92
TM9V040A10MP12C	XAHB24B	1.01	0.99	0.92
TM9V060B12MP12C	CF/CM/CU18B	1.01	1.06	0.89
TM9V060B12MP12C	CF/CM/CU24B	1.01	1.06	0.87
TM9V060B12MP12C	CF/CM/CU30B	1.01	1.05	0.87
TM9V060B12MP12C	CF/CM/CU36B	1.01	1.06	0.86
TM9V060B12MP12C	CF/CM/CU36C	1.01	1.06	0.86
TM9V060B12MP12C	CF/CM24C	1.01	1.06	0.87
TM9V060B12MP12C	CF/CM30C	1.01	1.11	0.86
TM9V060B12MP12C	XAFB24B	1.01	1.04	0.89
TM9V060B12MP12C	XAHB24B	1.01	1.01	0.92
TM9V080B12MP12C	CF/CM/CU18B	1.01	1.07	0.89
TM9V080B12MP12C	CF/CM/CU24B	1.01	1.07	0.89
TM9V080B12MP12C	CF/CM/CU30B	1.01	1.06	0.87
TM9V080B12MP12C	CF/CM/CU36B	1.01	1.03	0.86
TM9V080B12MP12C	XAFB24B	1.01	1.07	0.89
TM9V080B12MP12C	XAHB24B	1.01	1.07	0.89
TM9Y040A10MP11	CF/CM/CU18A	0.96	0.94	0.89
TM9Y040A10MP11	CF/CM/CU24A	0.97	0.94	0.89
TM9Y040A10MP11	CF/CM/CU30A	0.98	0.95	0.89
TM9Y040A10MP11	CF/CM36A	0.99	0.95	0.88
TM9Y040A10MP11	XAF/XAUA24B	1.00	0.96	0.91
TM9Y040A10MP11	XAFB24B	1.01	0.96	0.92
TM9Y040A10MP11	XAHA24B	1.00	0.96	0.91
TM9Y040A10MP11	XAHB24B	1.01	0.96	0.92
TM9Y060B12MP11	CF/CM/CU18B	1.01	1.11	0.89
TM9Y060B12MP11	CF/CM/CU24B	1.01	1.10	0.87
TM9Y060B12MP11	CF/CM/CU30B	1.01	1.10	0.86
TM9Y060B12MP11	CF/CM/CU36B	1.01	1.10	0.86
TM9Y060B12MP11	CF/CM/CU36C	1.01	1.12	0.85
TM9Y060B12MP11	CF/CM24C	1.01	1.10	0.87
TM9Y060B12MP11	CF/CM30C	1.01	1.10	0.86
TM9Y060B12MP11	XAFB24B	1.01	1.10	0.92
TM9Y060B12MP11	XAHB24B	1.01	1.09	0.92
TM9Y080B12MP11	CF/CM/CU30B	1.01	1.11	0.87
TM9Y080B12MP11	CF/CM/CU36B	1.01	1.11	0.87
TM9Y080B12MP11	XAFB24B	1.01	1.13	0.89
TM9Y080B12MP11	XAHB24B	1.01	1.13	0.89
TM9Y080C16MP11	CF/CM/CU36C	1.01	1.06	0.85
TM9Y080C16MP11	CF/CM24C	1.01	1.06	0.86
TM9Y080C16MP11	CF/CM30C	1.01	1.05	0.85
TM9Y080C16MP11	CF/CM36D	1.01	1.06	0.85
TM9Y100C16MP11	CF/CM/CU24C	1.01	1.07	0.87
TM9Y100C16MP11	CF/CM/CU30C	1.01	1.06	0.86
TM9Y100C16MP11	CF/CM/CU30D	1.01	1.08	0.86
TM9Y100C16MP11	CF/CM/CU36C	1.01	1.09	0.86
TM9Y100C16MP11	CF/CM/CU36D	1.01	1.09	0.86
TMLE040A12MP11	XAF/XAUA24B	1.01	1.07	0.89
TMLE040A12MP11	XAFB24B	1.01	1.10	0.88

FURNACE MULTIPLIERS - 1.5 TON (Continued)

Furnaces	Coil	T.C.	S.C.	kW
TMLE040A12MP11	XAHA24B	1.01	1.07	0.89
TMLE040A12MP11	XAHB24B	1.01	1.09	0.88
TMLE060A12MP11	XAF/XAUA24B	1.01	1.15	0.92
TMLE060A12MP11	XAHA24B	1.01	1.15	0.92
TMLE080B12MP11	XAFB24B	1.01	1.15	0.89
TMLE080B12MP11	XAHB24B	1.01	1.13	0.89
TMLE100B12MP11	XAFB24B	1.01	1.13	0.89
TMLE100B12MP11	XAHB24B	1.01	1.13	0.89
TMLV060A12MP12C	CF/CM/CU18A	1.01	1.07	0.90
TMLV060A12MP12C	CF/CM/CU24A	1.01	1.07	0.89
TMLV060A12MP12C	CF/CM/CU30A	1.01	1.06	0.87
TMLV060A12MP12C	CF/CM36A	1.01	1.07	0.86
TMLV060A12MP12C	XAF/XAUA24B	1.01	1.07	0.89
TMLV060A12MP12C	XAFB24B	1.01	1.07	0.88
TMLV060A12MP12C	XAHA24B	1.01	1.07	0.89
TMLV060A12MP12C	XAHB24B	1.01	1.07	0.88
TMLV080B12MP12C	CF/CM/CU18B	1.01	1.07	0.90
TMLV080B12MP12C	CF/CM/CU24B	1.01	1.07	0.89
TMLV080B12MP12C	CF/CM/CU30B	1.01	1.06	0.87
TMLV080B12MP12C	CF/CM/CU36B	1.01	1.07	0.87
TMLX060A12MP11	CF/CM/CU18A	1.01	1.07	0.89
TMLX060A12MP11	CF/CM/CU24A	1.01	1.07	0.89
TMLX060A12MP11	CF/CM/CU30A	1.01	1.06	0.86
TMLX060A12MP11	CF/CM36A	1.01	1.07	0.86
TMLX080B12MP11	CF/CM/CU18B	1.01	1.10	0.89
TMLX080B12MP11	CF/CM/CU24B	1.01	1.10	0.89
TMLX080B12MP11	CF/CM/CU30B	1.01	1.10	0.86
TMLX080B12MP11	CF/CM/CU36B	1.01	1.10	0.86
TMLX080C16MP11	CF/CM/CU30C	1.01	1.11	0.86
TMLX080C16MP11	CF/CM/CU36C	1.01	1.11	0.87
TMLX100C16MP11	CF/CM/CU30C	1.01	1.11	0.86
TMLX100C16MP11	CF/CM/CU36C	1.01	1.11	0.87
TP9C060B12MP13C	CF/CM/CU18B	1.01	1.06	0.89
TP9C060B12MP13C	CF/CM/CU24B	1.01	1.06	0.87
TP9C060B12MP13C	CF/CM/CU30B	1.01	1.05	0.87
TP9C060B12MP13C	CF/CM/CU36B	1.01	1.06	0.86
TP9C060B12MP13C	CF/CM/CU36C	1.01	1.06	0.86
TP9C060B12MP13C	CF/CM24C	1.01	1.06	0.87
TP9C060B12MP13C	CF/CM30C	1.01	1.11	0.86
TP9C060B12MP13C	XAFB24B	1.01	1.04	0.89
TP9C060B12MP13C	XAHB24B	1.01	1.01	0.92
TP9C080B12MP13C	CF/CM/CU18B	1.01	1.07	0.89
TP9C080B12MP13C	CF/CM/CU24B	1.01	1.07	0.89
TP9C080B12MP13C	CF/CM/CU30B	1.01	1.06	0.87
TP9C080B12MP13C	CF/CM/CU36B	1.01	1.03	0.86
TP9C080B12MP13C	XAFB24B	1.01	1.07	0.89
TP9C080B12MP13C	XAHB24B	1.01	1.07	0.89
TPLC060A12MP13C	CF/CM/CU18A	1.01	1.07	0.90
TPLC060A12MP13C	CF/CM/CU24A	1.01	1.07	0.89
TPLC060A12MP13C	CF/CM/CU30A	1.01	1.06	0.87
TPLC060A12MP13C	CF/CM36A	1.01	1.07	0.86
TPLC060A12MP13C	XAF/XAUA24B	1.01	1.07	0.89
TPLC060A12MP13C	XAFB24B	1.01	1.07	0.88
TPLC060A12MP13C	XAHA24B	1.01	1.07	0.89
TPLC060A12MP13C	XAHB24B	1.01	1.07	0.88

FURNACE MULTIPLIERS - 1.5 TON (Continued)

Furnaces	Coil	T.C.	S.C.	kW
TPLC080B12MP13C	CF/CM/CU18B	1.01	1.07	0.90
TPLC080B12MP13C	CF/CM/CU24B	1.01	1.07	0.89
TPLC080B12MP13C	CF/CM/CU30B	1.01	1.06	0.87
TPLC080B12MP13C	CF/CM/CU36B	1.01	1.07	0.87
TPLC080B12MP13C	XAFB24B	1.01	1.07	0.92
TPLC080B12MP13C	XAHB24B	1.01	1.07	0.92
YP9C060B12MP13C	CF/CM/CU18B	1.01	1.06	0.89
YP9C060B12MP13C	CF/CM/CU24B	1.01	1.06	0.87
YP9C060B12MP13C	CF/CM/CU30B	1.01	1.05	0.87
YP9C060B12MP13C	CF/CM/CU36B	1.01	1.06	0.86
YP9C060B12MP13C	CF/CM/CU36C	1.01	1.06	0.86
YP9C060B12MP13C	CF/CM24C	1.01	1.06	0.87
YP9C060B12MP13C	CF/CM30C	1.01	1.11	0.86
YP9C060B12MP13C	XAFB24B	1.01	1.04	0.89
YP9C060B12MP13C	XAHB24B	1.01	1.01	0.92
YP9C080B12MP13C	CF/CM/CU18B	1.01	1.07	0.89
YP9C080B12MP13C	CF/CM/CU24B	1.01	1.07	0.89
YP9C080B12MP13C	CF/CM/CU30B	1.01	1.06	0.87
YP9C080B12MP13C	CF/CM/CU36B	1.01	1.03	0.86

FURNACE MULTIPLIERS - 1.5 TON (Continued)

Furnaces	Coil	T.C.	S.C.	kW
YP9C080B12MP13C	XAFB24B	1.01	1.07	0.89
YP9C080B12MP13C	XAHB24B	1.01	1.07	0.89
YPLC060A12MP13C	CF/CM/CU18A	1.01	1.07	0.90
YPLC060A12MP13C	CF/CM/CU24A	1.01	1.07	0.89
YPLC060A12MP13C	CF/CM/CU30A	1.01	1.06	0.87
YPLC060A12MP13C	CF/CM36A	1.01	1.07	0.86
YPLC060A12MP13C	XAF/XAUA24B	1.01	1.07	0.89
YPLC060A12MP13C	XAFB24B	1.01	1.07	0.88
YPLC060A12MP13C	XAHA24B	1.01	1.07	0.89
YPLC060A12MP13C	XAHB24B	1.01	1.07	0.88
YPLC080B12MP13C	CF/CM/CU18B	1.01	1.07	0.90
YPLC080B12MP13C	CF/CM/CU24B	1.01	1.07	0.89
YPLC080B12MP13C	CF/CM/CU30B	1.01	1.06	0.87
YPLC080B12MP13C	CF/CM/CU36B	1.01	1.07	0.87
YPLC080B12MP13C	XAFB24B	1.01	1.07	0.92
YPLC080B12MP13C	XAHB24B	1.01	1.07	0.92

PERFORMANCE DATA - 2 TON

CONDENSER-ONLY DATA (OUTDOOR UNIT)																		
MODEL	SATURATED SUCTION AT COMPRESSOR		Outdoor Ambient Temperature															
			55°F		65°F		75°F		85°F		95°F		105°F		115°F		125°F	
	T (°F)	P (PSIG)	MBH	kW	MBH	kW	MBH	kW	MBH	kW	MBH	kW	MBH	kW	MBH	kW	MBH	kW
YCG24B21S	35	107	21.9	1.26	20.8	1.39	19.7	1.55	18.6	1.72	17.4	1.92	16.1	2.16	14.8	2.42	13.4	2.72
	40	118	24.2	1.25	23.0	1.38	21.8	1.53	20.6	1.70	19.3	1.90	17.9	2.14	16.5	2.41	15.0	2.70
	45	130	26.7	1.23	25.3	1.36	24.0	1.51	22.7	1.68	21.3	1.88	19.9	2.11	18.3	2.38	16.7	2.68
	50	142	29.3	1.21	27.8	1.34	26.4	1.49	25.0	1.66	23.5	1.86	21.9	2.09	20.3	2.36	18.5	2.65
	55	156	32.0	1.19	30.5	1.32	29.0	1.47	27.4	1.64	25.8	1.84	24.1	2.07	22.3	2.34	20.4	2.63

Notes:

- For outdoor unit (condenser) performance only. Data does not include the effects of air handler power or heat.
- Performance based on 15°F subcooling and 15°F superheat at the outdoor unit base valves.
 - Increase capacity by 1% for each 2°F increase in subcooling.
 - Decrease capacity by 1% for each 2°F decrease in subcooling.
- Maximum recommended condensing temperature is 140°F.

COOLING PERFORMANCE DATA																
OUTDOOR UNIT MODEL NO.		YCG24B21S														
INDOOR COIL MODEL NO.		CF24AXA1														
AIR TEMPERATURE ENTERING OUTDOOR UNIT (°F)	ID CFM	600					800					1000				
	ID DB (°F)	80	80	75	80	80	80	80	75	80	80	80	80	75	80	80
	ID WB (°F)	57	62	62	67	72	57	62	62	67	72	57	62	62	67	72
55	T.C.	21.8	24.5	24.4	25.8	27.5	23.3	25.6	25.5	26.6	28.0	24.9	26.6	26.6	27.5	28.6
	S.C.	21.2	20.4	17.5	16.9	13.8	22.7	22.8	19.8	18.5	15.0	24.2	25.1	22.0	20.0	16.1
	kW	1.17	1.17	1.18	1.16	1.17	1.23	1.24	1.25	1.23	1.24	1.30	1.31	1.32	1.31	1.32
65	T.C.	21.0	23.4	23.4	25.0	26.9	22.6	24.6	24.5	25.9	27.6	24.1	25.8	25.6	26.7	28.2
	S.C.	20.5	19.9	17.1	16.6	13.7	22.0	22.3	19.3	18.5	15.0	23.5	24.7	21.6	20.4	16.3
	kW	1.30	1.30	1.31	1.28	1.29	1.37	1.37	1.38	1.36	1.36	1.43	1.44	1.45	1.43	1.44
75	T.C.	20.3	22.3	22.5	24.3	26.3	21.8	23.6	23.5	25.1	27.1	23.3	24.9	24.6	26.0	27.9
	S.C.	19.7	19.3	16.6	16.3	13.5	21.2	21.8	18.9	18.5	15.0	22.7	24.2	21.2	20.7	16.4
	kW	1.44	1.44	1.44	1.41	1.40	1.50	1.51	1.51	1.48	1.48	1.57	1.58	1.58	1.55	1.55
85	T.C.	19.9	21.6	21.6	23.5	25.5	21.3	23.0	22.6	24.4	26.2	22.7	24.3	23.6	25.2	27.0
	S.C.	19.4	18.9	16.2	16.1	13.2	20.7	21.2	18.5	18.3	14.7	22.1	23.4	20.8	20.5	16.1
	kW	1.62	1.63	1.62	1.60	1.59	1.68	1.70	1.69	1.67	1.66	1.74	1.76	1.76	1.74	1.73
95	T.C.	19.5	20.9	20.7	22.7	24.6	20.8	22.3	21.6	23.6	25.4	22.0	23.8	22.6	24.5	26.2
	S.C.	19.0	18.5	15.8	15.8	12.9	20.2	20.6	18.1	18.0	14.4	21.4	22.6	20.3	20.2	15.8
	kW	1.80	1.82	1.80	1.78	1.77	1.86	1.88	1.87	1.85	1.84	1.92	1.95	1.94	1.92	1.91
105	T.C.	18.4	19.7	19.2	21.3	23.1	19.5	21.1	20.1	22.1	23.9	20.7	22.5	21.0	23.0	24.8
	S.C.	17.9	17.8	15.1	15.2	12.4	19.0	19.6	17.2	17.4	13.8	20.1	21.4	19.3	19.6	15.3
	kW	2.10	2.13	2.14	2.06	2.07	2.16	2.18	2.21	2.13	2.14	2.22	2.24	2.28	2.19	2.21
115	T.C.	17.3	18.5	17.7	20.0	21.7	18.4	19.9	18.5	20.7	22.5	19.5	21.3	19.4	21.5	23.3
	S.C.	16.8	17.2	14.4	14.5	11.9	17.9	18.7	16.3	16.7	13.3	18.9	20.3	18.3	18.9	14.8
	kW	2.39	2.43	2.47	2.33	2.36	2.45	2.48	2.54	2.39	2.43	2.52	2.52	2.61	2.45	2.50
125	T.C.	16.1	17.3	16.2	18.6	20.3	17.2	18.7	17.0	19.3	21.1	18.2	20.1	17.8	20.1	21.9
	S.C.	15.7	16.5	13.7	13.9	11.4	16.7	17.9	15.5	16.1	12.9	17.7	19.2	17.3	18.3	14.3
	kW	2.69	2.73	2.80	2.60	2.65	2.75	2.77	2.87	2.66	2.72	2.81	2.80	2.94	2.71	2.79

Note: All capacities include indoor fan heat. kW values are for the system (outdoor + indoor).

Green shaded cells are ACCA (TVA) conditions.

Blue shaded cells are AHRI conditions.

Multipliers for determining the performance with other indoor sections

Note: For dry bulb temperatures different than those listed (between 73°F to 87°F), sensible capacity increases by 1060 BTUH per 1000 CFM per degree above the listed temperature and decreases by 1060 BTUH per 1000 CFM per degree below the listed temperature.

COIL MULTIPLIERS - 2 TON

Air Handler	Coil	T.C.	S.C.	kW
—	CF/CM/CU24A	1.00	1.00	1.00
—	CF/CM/CU24B	1.00	1.00	1.00
—	CF/CM/CU24C	1.00	1.00	1.00
—	CF/CM/CU30A	1.02	1.02	1.00
—	CF/CM/CU30B	1.02	1.02	1.00
—	CF/CM/CU30C	1.02	1.02	1.00
—	CF/CM/CU30D	1.02	1.02	1.00
—	CF/CM/CU36B	1.02	1.01	1.00
—	CF/CM/CU36C	1.02	1.01	1.00
—	CF/CM/CU36D	1.02	1.01	1.00
—	CF/CM/CU42C	1.02	1.00	1.00
—	CF/CM/CU42D	1.02	1.00	1.00
—	CF/CM36A	1.02	1.01	1.00
—	CF42B	1.02	1.00	1.00
—	XAF/XAUA24B	1.00	1.01	1.00
—	XAF/XAUB30C	1.02	1.05	1.00
—	XAFB24B	1.00	1.01	1.00
—	XAFC30C	1.02	1.05	1.00
—	XAHA24B	1.00	1.01	1.00
—	XAHB24B	1.00	1.01	1.00
—	XAHB30C	1.02	1.05	1.00
—	XAHC30C	1.02	1.05	1.00
AE24BX21	—	1.02	1.02	0.91
AE30BX21	—	1.02	1.03	0.88
AE36BX21	—	1.02	1.03	0.86
AE36CX21	—	1.02	1.03	0.86
AP24BX21	—	1.00	0.99	1.00
AP30BX21	—	1.02	1.01	0.96
AP36BX21	—	1.02	1.07	1.00
AP36CX21	—	1.02	1.03	1.00
AVC24BX21	—	1.00	0.94	0.89
AVC30BX21	—	1.02	1.01	0.88
AVC36BX21	—	1.02	1.02	0.86
AVC36CX21	—	1.02	1.06	0.86
ME08BN21	CF/CM24B	1.02	1.04	0.89
ME08BN21	CF/CM30B	1.02	1.03	0.86
ME08BN21	CF/CM36B	1.02	1.04	0.86
ME08BN21	CF42B	1.02	1.00	0.88
ME12BN21	CF/CM24B	1.02	1.05	0.89
ME12BN21	CF/CM30B	1.02	1.04	0.89
ME12BN21	CF/CM36B	1.02	1.04	0.88
ME12BN21	CF42B	1.02	1.01	0.88
ME14DN21	CF/CM30D	1.02	1.07	0.91
ME14DN21	CF/CM36D	1.02	1.07	0.89
ME14DN21	CF/CM42D	1.02	1.05	0.88
ME16CN21	CF/CM24C	1.02	1.06	0.98
MVC08BN21	CF/CM24B	0.99	0.95	0.89
MVC08BN21	CF/CM30B	1.02	0.99	0.89
MVC08BN21	CF/CM36B	1.02	0.99	0.91
MVC08BN21	CF42B	1.02	0.98	0.89
MVC12BN21	CF/CM24B	1.02	1.02	0.93
MVC12BN21	CF/CM30B	1.02	0.99	0.89
MVC12BN21	CF/CM36B	1.02	0.99	0.89
MVC12BN21	CF42B	1.02	0.98	0.88
MVC14DN21	CF/CM30D	1.02	0.99	0.91

COIL MULTIPLIERS - 2 TON (Continued)

MVC14DN21	CF/CM36D	1.02	1.03	0.86
MVC14DN21	CF/CM42D	1.02	1.03	0.86
MVC16CN21	CF/CM24C	1.02	1.05	0.91
MVC16CN21	CF/CM30C	1.02	1.04	0.89
MVC16CN21	CF/CM36C	1.02	1.05	0.88
MVC16CN21	CF/CM42C	1.02	1.04	0.88

FURNACE MULTIPLIERS - 2 TON

Furnaces	Coil	T.C.	S.C.	kW
TL8E060A12UH11	CF/CM/CU24A	0.99	0.94	0.90
TL8E060A12UH11	CF/CM/CU24B	1.00	0.99	0.91
TL8E060A12UH11	CF/CM/CU30A	1.01	0.96	0.92
TL8E060A12UH11	CF/CM/CU30B	1.02	0.97	0.93
TL8E060A12UH11	CF/CM/CU36B	1.02	0.98	0.88
TL8E060A12UH11	CF/CM/CU36C	1.02	1.00	0.88
TL8E060A12UH11	CF/CM/CU42C	1.02	1.00	0.88
TL8E060A12UH11	CF/CM24C	1.00	0.96	0.91
TL8E060A12UH11	CF/CM30C	1.02	0.98	0.91
TL8E060A12UH11	CF/CM36A	1.02	0.94	0.93
TL8E060A12UH11	CF42B	1.02	0.98	0.89
TL8E060A12UH11	XAF/XAUA24B	0.99	0.92	0.90
TL8E060A12UH11	XAF/XAUB30C	1.01	0.98	0.89
TL8E060A12UH11	XAFB24B	1.00	0.94	0.91
TL8E060A12UH11	XAHA24B	0.99	0.92	0.90
TL8E060A12UH11	XAHB24B	0.99	0.93	0.90
TL8E060A12UH11	XAHB30C	1.01	0.97	0.89
TL8E080C16UH11	CF/CM24C	1.02	1.08	0.94
TL8E080C16UH11	CF/CM30C	1.02	1.12	0.88
TL8E080C16UH11	XAFC30C	1.02	1.14	0.89
TL8E080C16UH11	XAHC30C	1.02	1.13	0.89
TL9E060B12UH11	CF/CM/CU24B	0.99	0.94	0.90
TL9E060B12UH11	CF/CM/CU30B	1.02	0.98	0.93
TL9E060B12UH11	CF/CM/CU36B	1.02	0.96	0.93
TL9E060B12UH11	CF/CM/CU36C	1.02	0.98	0.89
TL9E060B12UH11	CF/CM/CU42C	1.02	0.99	0.89
TL9E060B12UH11	CF/CM24C	0.99	0.94	0.90
TL9E060B12UH11	CF/CM30C	1.02	0.97	0.93
TL9E060B12UH11	CF42B	1.02	0.98	0.93
TL9E060B12UH11	XAF/XAUB30C	1.02	0.97	0.93
TL9E060B12UH11	XAFB24B	0.99	0.93	0.90
TL9E060B12UH11	XAFC30C	1.01	0.97	0.92
TL9E060B12UH11	XAHB24B	0.99	0.93	0.90
TL9E060B12UH11	XAHB30C	1.02	0.97	0.93
TL9E060B12UH11	XAHC30C	1.01	0.97	0.92
TL9E080C16UH11	CF/CM/CU36C	1.02	1.11	0.88
TL9E080C16UH11	CF/CM/CU42C	1.02	1.11	0.88
TL9E080C16UH11	CF/CM24C	1.01	1.04	0.94
TL9E080C16UH11	CF/CM30C	1.02	1.11	0.88
TL9E080C16UH11	CF/CM36D	1.02	1.11	0.88
TL9E080C16UH11	CF/CM42D	1.02	1.11	0.88
TL9E080C16UH11	XAFC30C	1.02	1.12	0.89
TL9E080C16UH11	XAHC30C	1.02	1.11	0.89
TM8E040A12MP11	CF/CM/CU24A	0.99	0.94	0.89
TM8E040A12MP11	CF/CM/CU24B	1.02	1.03	0.89
TM8E040A12MP11	CF/CM/CU30A	1.02	1.01	0.89
TM8E040A12MP11	CF/CM/CU30B	1.02	1.05	0.88
TM8E040A12MP11	CF/CM/CU36B	1.02	1.03	0.88

FURNACE MULTIPLIERS - 2 TON (Continued)

Furnaces	Coil	T.C.	S.C.	kW
TM8E040A12MP11	CF/CM36A	1.02	1.00	0.88
TM8E040A12MP11	CF42B	1.02	1.03	0.86
TM8E040A12MP11	XAF/XAUA24B	1.00	0.96	0.91
TM8E040A12MP11	XAF/XAUB30C	1.01	1.04	0.87
TM8E040A12MP11	XAFB24B	1.00	0.94	0.91
TM8E040A12MP11	XAHA24B	1.00	0.96	0.91
TM8E040A12MP11	XAHB24B	1.01	0.98	0.92
TM8E040A12MP11	XAHB30C	1.01	1.02	0.88
TM8E060A12MP11	CF/CM/CU24A	1.01	1.00	0.90
TM8E060A12MP11	CF/CM/CU24B	1.02	1.07	0.91
TM8E060A12MP11	CF/CM/CU30A	1.02	1.01	0.89
TM8E060A12MP11	CF/CM/CU30B	1.02	1.07	0.88
TM8E060A12MP11	CF/CM/CU36B	1.02	1.01	0.88
TM8E060A12MP11	CF/CM36A	1.02	1.00	0.89
TM8E060A12MP11	CF42B	1.02	1.06	0.88
TM8E060A12MP11	XAF/XAUA24B	1.01	0.96	0.92
TM8E060A12MP11	XAF/XAUB30C	1.01	1.02	0.89
TM8E060A12MP11	XAFB24B	1.00	0.98	0.91
TM8E060A12MP11	XAHA24B	1.01	0.96	0.92
TM8E060A12MP11	XAHB24B	1.00	0.98	0.91
TM8E060A12MP11	XAHB30C	1.01	1.02	0.89
TM8E080B12MP11	CF/CM/CU24B	1.01	0.99	0.90
TM8E080B12MP11	CF/CM/CU30B	1.02	1.02	0.89
TM8E080B12MP11	CF/CM/CU36B	1.02	1.00	0.88
TM8E080B12MP11	CF/CM/CU36C	1.02	1.01	0.88
TM8E080B12MP11	CF/CM/CU42C	1.02	1.01	0.86
TM8E080B12MP11	CF/CM24C	1.02	1.03	0.91
TM8E080B12MP11	CF/CM30C	1.02	1.02	0.88
TM8E080B12MP11	CF42B	1.02	1.00	0.88
TM8E080B12MP11	XAF/XAUB30C	1.02	0.99	0.89
TM8E080B12MP11	XAFB24B	1.01	0.97	0.92
TM8E080B12MP11	XAFC30C	1.01	0.99	0.89
TM8E080B12MP11	XAHB24B	1.01	0.95	0.92
TM8E080B12MP11	XAHB30C	1.02	0.98	0.89
TM8E080B12MP11	XAHC30C	1.01	0.99	0.89
TM8E080C16MP11	CF/CM/CU36C	1.02	1.06	0.86
TM8E080C16MP11	CF/CM/CU42C	1.02	1.06	0.86
TM8E080C16MP11	CF/CM24C	1.02	1.07	0.88
TM8E080C16MP11	CF/CM30C	1.02	1.07	0.86
TM8E080C16MP11	CF/CM36D	1.02	1.06	0.86
TM8E080C16MP11	CF/CM42D	1.02	1.06	0.86
TM8E080C16MP11	XAFC30C	1.02	1.05	0.88
TM8E080C16MP11	XAHC30C	1.02	1.03	0.88
TM8E100B12MP11	CF/CM/CU24B	1.02	1.01	0.89
TM8E100B12MP11	CF/CM/CU30B	1.02	1.02	0.88
TM8E100B12MP11	CF/CM/CU36B	1.02	1.00	0.88
TM8E100B12MP11	CF/CM/CU36C	1.02	1.00	0.88
TM8E100B12MP11	CF/CM/CU42C	1.02	1.07	0.86
TM8E100B12MP11	CF/CM24C	1.02	1.08	0.89
TM8E100B12MP11	CF/CM30C	1.02	1.07	0.88
TM8E100B12MP11	CF42B	1.02	0.99	0.88
TM8E100B12MP11	XAF/XAUB30C	1.02	0.98	0.88
TM8E100B12MP11	XAFB24B	1.01	0.95	0.92
TM8E100B12MP11	XAFC30C	1.01	0.98	0.87
TM8E100B12MP11	XAHB24B	1.01	0.95	0.92
TM8E100B12MP11	XAHB30C	1.02	0.98	0.88

FURNACE MULTIPLIERS - 2 TON (Continued)

Furnaces	Coil	T.C.	S.C.	kW
TM8E100B12MP11	XAHC30C	1.01	0.98	0.87
TM8E100C16MP11	CF/CM/CU36C	1.02	1.04	0.86
TM8E100C16MP11	CF/CM/CU42C	1.02	1.03	0.86
TM8E100C16MP11	CF/CM24C	1.02	1.04	0.89
TM8E100C16MP11	CF/CM30C	1.02	1.05	0.86
TM8E100C16MP11	CF/CM36D	1.02	1.04	0.86
TM8E100C16MP11	CF/CM42D	1.02	1.03	0.86
TM8E100C16MP11	XAFC30C	1.02	1.04	0.88
TM8E100C16MP11	XAHC30C	1.02	1.02	0.88
TM8E120C16MP11	CF/CM/CU36C	1.02	1.06	0.86
TM8E120C16MP11	CF/CM/CU42C	1.02	1.06	0.85
TM8E120C16MP11	CF/CM24C	1.02	1.04	0.89
TM8E120C16MP11	CF/CM30C	1.02	1.05	0.86
TM8E120C16MP11	CF/CM36D	1.02	1.06	0.86
TM8E120C16MP11	CF/CM42D	1.02	1.06	0.85
TM8E120C16MP11	XAFC30C	1.02	1.04	0.88
TM8E120C16MP11	XAHC30C	1.02	1.04	0.88
TM8V060A12MP12C	CF/CM/CU24A	1.02	1.05	0.94
TM8V060A12MP12C	CF/CM/CU30A	1.02	1.05	0.93
TM8V060A12MP12C	CF/CM36A	1.02	1.04	0.91
TM8V060A12MP12C	XAF/XAUA24B	0.98	0.90	0.91
TM8V060A12MP12C	XAF/XAUB30C	1.01	0.98	0.89
TM8V060A12MP12C	XAFB24B	1.00	0.95	0.91
TM8V060A12MP12C	XAHA24B	0.98	0.90	0.91
TM8V060A12MP12C	XAHB24B	1.00	0.96	0.91
TM8V060A12MP12C	XAHB30C	1.01	0.93	0.89
TM8V080B12MP12C	CF/CM/CU24B	1.02	1.06	0.94
TM8V080B12MP12C	CF/CM/CU30B	1.02	1.07	0.93
TM8V080B12MP12C	CF/CM/CU36B	1.02	1.06	0.91
TM8V080B12MP12C	CF42B	1.02	1.05	0.91
TM8V080B12MP12C	XAF/XAUB30C	1.02	0.97	0.93
TM8V080B12MP12C	XAFB24B	1.00	0.93	0.93
TM8V080B12MP12C	XAFC30C	1.01	0.92	0.90
TM8V080B12MP12C	XAHB24B	0.99	0.91	0.92
TM8V080B12MP12C	XAHB30C	1.02	0.92	0.93
TM8V080B12MP12C	XAHC30C	1.01	0.97	0.90
TM8V080C16MP12C	CF/CM/CU30C	1.02	1.08	0.88
TM8V080C16MP12C	CF/CM/CU30D	1.02	1.08	0.88
TM8V080C16MP12C	CF/CM/CU36C	1.02	1.08	0.88
TM8V080C16MP12C	CF/CM/CU36D	1.02	1.08	0.88
TM8V080C16MP12C	CF/CM/CU42C	1.02	1.08	0.86
TM8V080C16MP12C	CF/CM/CU42D	1.02	1.08	0.86
TM8V080C16MP12C	XAFC30C	1.02	1.10	0.88
TM8V080C16MP12C	XAHC30C	1.02	1.10	0.90
TM8V100C16MP12C	CF/CM/CU30C	1.02	1.08	0.88
TM8V100C16MP12C	CF/CM/CU30D	1.02	1.08	0.88
TM8V100C16MP12C	CF/CM/CU36C	1.02	1.08	0.88
TM8V100C16MP12C	CF/CM/CU36D	1.02	1.08	0.88
TM8V100C16MP12C	CF/CM/CU42C	1.02	1.08	0.86
TM8V100C16MP12C	CF/CM/CU42D	1.02	1.08	0.86
TM8V100C16MP12C	XAFC30C	1.02	1.10	0.88
TM8V100C16MP12C	XAHC30C	1.02	1.10	0.90
TM8X060A12MP11	CF/CM/CU24A	1.00	1.01	0.91
TM8X060A12MP11	CF/CM/CU30A	1.02	1.02	0.91
TM8X060A12MP11	CF/CM36A	1.02	1.03	0.89
TM8X080B12MP11	CF/CM/CU24B	1.02	1.04	0.91

FURNACE MULTIPLIERS - 2 TON (Continued)

Furnaces	Coil	T.C.	S.C.	kW
TM8X080B12MP11	CF/CM/CU30B	1.02	1.05	0.89
TM8X080B12MP11	CF/CM/CU36B	1.02	1.03	0.88
TM8X080B12MP11	CF42B	1.02	1.06	0.88
TM8X080C16MP11	CF/CM/CU24C	0.98	0.97	0.88
TM8X080C16MP11	CF/CM/CU30C	1.00	0.98	0.86
TM8X080C16MP11	CF/CM/CU30D	1.02	1.02	0.86
TM8X080C16MP11	CF/CM/CU36C	1.02	0.98	0.88
TM8X080C16MP11	CF/CM/CU36D	1.02	1.00	0.86
TM8X080C16MP11	CF/CM/CU42C	1.02	0.99	0.88
TM8X080C16MP11	CF/CM/CU42D	1.02	1.00	0.86
TM8X100C16MP11	CF/CM/CU24C	0.98	0.97	0.88
TM8X100C16MP11	CF/CM/CU30C	1.00	0.98	0.86
TM8X100C16MP11	CF/CM/CU30D	1.02	1.02	0.86
TM8X100C16MP11	CF/CM/CU36C	1.02	0.98	0.88
TM8X100C16MP11	CF/CM/CU36D	1.02	1.00	0.86
TM8X100C16MP11	CF/CM/CU42C	1.02	0.99	0.88
TM8X100C16MP11	CF/CM/CU42D	1.02	1.00	0.86
TM8Y060A12MP11	CF/CM/CU24A	1.00	1.01	0.91
TM8Y060A12MP11	CF/CM/CU30A	1.02	1.02	0.91
TM8Y060A12MP11	CF/CM36A	1.02	1.03	0.89
TM8Y060A12MP11	XAF/XAUA24B	0.99	0.90	0.90
TM8Y060A12MP11	XAF/XAUB30C	1.01	0.94	0.89
TM8Y060A12MP11	XAFB24B	0.99	0.92	0.90
TM8Y060A12MP11	XAHA24B	0.99	0.90	0.90
TM8Y060A12MP11	XAHB24B	0.98	0.90	0.90
TM8Y060A12MP11	XAHB30C	1.01	0.92	0.90
TM8Y080B12MP11	CF/CM/CU24B	1.02	1.04	0.91
TM8Y080B12MP11	CF/CM/CU30B	1.02	1.05	0.89
TM8Y080B12MP11	CF/CM/CU36B	1.02	1.03	0.88
TM8Y080B12MP11	CF42B	1.02	1.06	0.88
TM8Y080B12MP11	XAF/XAUB30C	1.02	1.03	0.91
TM8Y080B12MP11	XAFB24B	1.02	0.98	0.93
TM8Y080B12MP11	XAFC30C	1.01	1.03	0.90
TM8Y080B12MP11	XAHB24B	1.02	0.98	0.93
TM8Y080B12MP11	XAHB30C	1.01	0.94	0.89
TM8Y080B12MP11	XAHC30C	1.01	1.02	0.90
TM8Y080C16MP11	CF/CM/CU24C	0.98	0.97	0.88
TM8Y080C16MP11	CF/CM/CU30C	1.00	0.98	0.86
TM8Y080C16MP11	CF/CM/CU30D	1.02	1.02	0.86
TM8Y080C16MP11	CF/CM/CU36C	1.02	0.98	0.88
TM8Y080C16MP11	CF/CM/CU36D	1.02	1.00	0.86
TM8Y080C16MP11	CF/CM/CU42C	1.02	0.99	0.88
TM8Y080C16MP11	CF/CM/CU42D	1.02	1.00	0.86
TM8Y080C16MP11	XAFC30C	1.02	0.99	0.88
TM8Y080C16MP11	XAHC30C	1.02	0.99	0.88
TM8Y100C16MP11	CF/CM/CU24C	0.98	0.97	0.88
TM8Y100C16MP11	CF/CM/CU30C	1.00	0.98	0.86
TM8Y100C16MP11	CF/CM/CU30D	1.02	1.02	0.86
TM8Y100C16MP11	CF/CM/CU36C	1.02	0.98	0.88
TM8Y100C16MP11	CF/CM/CU36D	1.02	1.00	0.86
TM8Y100C16MP11	CF/CM/CU42C	1.02	0.99	0.88
TM8Y100C16MP11	CF/CM/CU42D	1.02	1.00	0.86
TM8Y100C16MP11	XAFC30C	1.02	0.99	0.88
TM8Y100C16MP11	XAHC30C	1.02	0.99	0.88
TM9E026A08MP12	CF/CM/CU24A	0.99	0.95	0.92
TM9E026A08MP12	CF/CM/CU24B	0.98	0.91	0.91

FURNACE MULTIPLIERS - 2 TON (Continued)

Furnaces	Coil	T.C.	S.C.	kW
TM9E026A08MP12	CF/CM/CU30A	1.01	0.97	0.92
TM9E026A08MP12	CF/CM/CU30B	1.02	0.99	0.93
TM9E026A08MP12	CF/CM/CU36B	1.02	0.99	0.91
TM9E026A08MP12	CF/CM36A	1.02	0.97	0.93
TM9E026A08MP12	CF42B	1.01	0.93	0.90
TM9E026A08MP12	XAF/XAUA24B	0.99	0.94	0.94
TM9E026A08MP12	XAF/XAUB30C	1.00	0.91	0.91
TM9E026A08MP12	XAFB24B	0.98	0.94	0.93
TM9E026A08MP12	XAHA24B	0.99	0.92	0.94
TM9E026A08MP12	XAHB24B	0.98	0.94	0.93
TM9E026A08MP12	XAHB30C	1.00	0.96	0.91
TM9E040A10MP11	CF/CM/CU24A	1.01	1.03	0.97
TM9E040A10MP11	CF/CM/CU30A	1.02	1.05	0.96
TM9E040A10MP11	CF/CM36A	1.02	1.03	0.94
TM9E040A10MP12	CF/CM/CU24A	0.98	0.91	0.91
TM9E040A10MP12	CF/CM/CU24B	1.00	0.96	0.93
TM9E040A10MP12	CF/CM/CU30A	1.01	0.96	0.92
TM9E040A10MP12	CF/CM/CU30B	1.00	0.94	0.91
TM9E040A10MP12	CF/CM/CU36B	1.01	0.93	0.90
TM9E040A10MP12	CF/CM36A	1.02	0.97	0.91
TM9E040A10MP12	CF42B	1.01	0.94	0.90
TM9E040A10MP12	XAF/XAUA24B	0.97	0.89	0.92
TM9E040A10MP12	XAF/XAUB30C	1.00	0.93	0.91
TM9E040A10MP12	XAFB24B	0.98	0.91	0.93
TM9E040A10MP12	XAHA24B	0.97	0.89	0.92
TM9E040A10MP12	XAHB24B	0.98	0.91	0.93
TM9E040A10MP12	XAHB30C	1.00	0.93	0.91
TM9E060A10MP12	CF/CM/CU24A	1.00	0.96	0.91
TM9E060A10MP12	CF/CM/CU24B	1.00	0.99	0.91
TM9E060A10MP12	CF/CM/CU30A	1.02	0.98	0.91
TM9E060A10MP12	CF/CM/CU30B	1.02	0.99	0.91
TM9E060A10MP12	CF/CM/CU36B	1.02	0.98	0.89
TM9E060A10MP12	CF/CM36A	1.02	0.97	0.91
TM9E060A10MP12	CF42B	1.02	0.99	0.89
TM9E060A10MP12	XAF/XAUA24B	0.99	0.93	0.92
TM9E060A10MP12	XAF/XAUB30C	1.01	0.98	0.92
TM9E060A10MP12	XAFB24B	1.00	0.96	0.89
TM9E060A10MP12	XAHA24B	0.99	0.92	0.92
TM9E060A10MP12	XAHB24B	0.99	0.93	0.92
TM9E060A10MP12	XAHB30C	1.01	0.97	0.92
TM9E060B12MP11	CF/CM/CU24B	1.00	0.96	0.89
TM9E060B12MP11	CF/CM/CU30B	1.02	0.98	0.89
TM9E060B12MP11	CF/CM/CU36B	1.02	0.97	0.89
TM9E060B12MP11	CF/CM/CU36C	1.02	0.98	0.89
TM9E060B12MP11	CF/CM/CU42C	1.02	0.99	0.89
TM9E060B12MP11	CF/CM24C	1.00	0.96	0.89
TM9E060B12MP11	CF/CM30C	1.02	0.98	0.89
TM9E060B12MP11	CF42B	1.02	0.98	0.89
TM9E060B12MP12	CF/CM/CU24B	1.01	1.02	0.92
TM9E060B12MP12	CF/CM/CU30B	1.02	1.02	0.89
TM9E060B12MP12	CF/CM/CU36B	1.02	1.01	0.89
TM9E060B12MP12	CF/CM/CU36C	1.02	1.01	0.89
TM9E060B12MP12	CF/CM/CU42C	1.02	1.01	0.88
TM9E060B12MP12	CF/CM24C	1.01	1.02	0.92
TM9E060B12MP12	CF/CM30C	1.02	1.02	0.89
TM9E060B12MP12	CF42B	1.02	1.01	0.89

FURNACE MULTIPLIERS - 2 TON (Continued)

Furnaces	Coil	T.C.	S.C.	kW
TM9E060B12MP12	XAF/XAUB30C	1.02	1.00	0.91
TM9E060B12MP12	XAFB24B	1.01	0.97	0.89
TM9E060B12MP12	XAFC30C	1.01	1.00	0.90
TM9E060B12MP12	XAHB24B	1.01	0.97	0.89
TM9E060B12MP12	XAHB30C	1.02	1.00	0.91
TM9E060B12MP12	XAHC30C	1.01	1.00	0.90
TM9E080B12MP11	CF/CM/CU24B	0.98	0.97	0.88
TM9E080B12MP11	CF/CM/CU30B	1.00	0.98	0.88
TM9E080B12MP11	CF/CM/CU36B	1.01	0.98	0.89
TM9E080B12MP11	CF42B	1.02	1.08	0.88
TM9E080B12MP12	CF/CM/CU24B	1.02	1.05	0.91
TM9E080B12MP12	CF/CM/CU30B	1.02	1.04	0.88
TM9E080B12MP12	CF/CM/CU36B	1.02	1.04	0.88
TM9E080B12MP12	CF/CM/CU36C	1.02	1.06	0.88
TM9E080B12MP12	CF/CM/CU42C	1.02	1.06	0.88
TM9E080B12MP12	CF/CM24C	1.02	1.05	0.91
TM9E080B12MP12	CF/CM30C	1.02	1.07	0.88
TM9E080B12MP12	CF42B	1.02	1.03	0.88
TM9E080B12MP12	XAF/XAUB30C	1.02	1.06	0.89
TM9E080B12MP12	XAFB24B	1.02	0.99	0.93
TM9E080B12MP12	XAFC30C	1.01	1.06	0.89
TM9E080B12MP12	XAHB24B	1.02	0.99	0.93
TM9E080B12MP12	XAHB30C	1.02	1.03	0.89
TM9E080B12MP12	XAHC30C	1.01	1.03	0.89
TM9E080C16MP11	CF/CM/CU36C	1.01	0.92	0.87
TM9E080C16MP11	CF/CM/CU42C	1.01	0.93	0.87
TM9E080C16MP11	CF/CM24C	0.98	0.90	0.88
TM9E080C16MP11	CF/CM30C	1.00	0.92	0.86
TM9E080C16MP11	CF/CM36D	1.01	0.92	0.87
TM9E080C16MP11	CF/CM42D	1.01	0.93	0.87
TM9E080C16MP12	CF/CM/CU36C	1.02	1.02	0.86
TM9E080C16MP12	CF/CM/CU42C	1.02	1.01	0.86
TM9E080C16MP12	CF/CM24C	1.02	1.03	0.89
TM9E080C16MP12	CF/CM30C	1.02	1.02	0.88
TM9E080C16MP12	CF/CM36D	1.02	1.02	0.86
TM9E080C16MP12	CF/CM42D	1.02	1.11	0.86
TM9E080C16MP12	XAFC30C	1.02	0.99	0.88
TM9E080C16MP12	XAHC30C	1.02	0.98	0.89
TM9E100C16MP11	CF/CM/CU24C	0.95	0.90	0.88
TM9E100C16MP11	CF/CM/CU30C	0.97	0.91	0.86
TM9E100C16MP11	CF/CM/CU30D	0.98	0.94	0.86
TM9E100C16MP11	CF/CM/CU36C	0.99	0.93	0.87
TM9E100C16MP11	CF/CM/CU36D	0.99	0.93	0.87
TM9E100C16MP11	CF/CM/CU42C	0.98	0.93	0.86
TM9E100C16MP11	CF/CM/CU42D	0.98	0.93	0.86
TM9E100C16MP12	CF/CM/CU36C	1.02	1.04	0.86
TM9E100C16MP12	CF/CM/CU42C	1.02	1.03	0.86
TM9E100C16MP12	CF/CM24C	1.02	1.03	0.89
TM9E100C16MP12	CF/CM30C	1.02	1.05	0.86
TM9E100C16MP12	CF/CM36D	1.02	1.04	0.86
TM9E100C16MP12	CF/CM42D	1.02	1.03	0.86
TM9E100C16MP12	XAFC30C	1.02	1.02	0.88
TM9E100C16MP12	XAHC30C	1.02	1.02	0.88
TM9V040A10MP12C	CF/CM/CU24A	0.99	0.94	0.94
TM9V040A10MP12C	CF/CM/CU24B	0.99	0.94	0.94
TM9V040A10MP12C	CF/CM/CU30A	1.00	0.94	0.94

FURNACE MULTIPLIERS - 2 TON (Continued)

Furnaces	Coil	T.C.	S.C.	kW
TM9V040A10MP12C	CF/CM/CU30B	1.01	0.96	0.94
TM9V040A10MP12C	CF/CM/CU36B	1.02	0.96	0.94
TM9V040A10MP12C	CF/CM36A	1.02	0.96	0.94
TM9V040A10MP12C	CF42B	1.01	0.96	0.94
TM9V040A10MP12C	XAF/XAUA24B	0.98	0.90	0.93
TM9V040A10MP12C	XAF/XAUB30C	1.01	0.94	0.94
TM9V040A10MP12C	XAFB24B	0.98	0.92	0.93
TM9V040A10MP12C	XAHA24B	0.98	0.90	0.93
TM9V040A10MP12C	XAHB24B	0.98	0.92	0.93
TM9V040A10MP12C	XAHB30C	1.01	0.93	0.94
TM9V060B12MP12C	CF/CM/CU24B	1.00	0.99	0.91
TM9V060B12MP12C	CF/CM/CU30B	1.02	0.99	0.93
TM9V060B12MP12C	CF/CM/CU36B	1.02	0.98	0.89
TM9V060B12MP12C	CF/CM/CU36C	1.02	0.98	0.89
TM9V060B12MP12C	CF/CM/CU42C	1.02	0.99	0.89
TM9V060B12MP12C	CF/CM24C	1.02	1.03	0.93
TM9V060B12MP12C	CF/CM30C	1.02	0.99	0.93
TM9V060B12MP12C	CF42B	1.02	0.99	0.89
TM9V060B12MP12C	XAF/XAUB30C	1.02	0.98	0.93
TM9V060B12MP12C	XAFB24B	1.00	0.96	0.91
TM9V060B12MP12C	XAFC30C	1.01	0.98	0.92
TM9V060B12MP12C	XAHB24B	1.00	0.96	0.93
TM9V060B12MP12C	XAHB30C	1.02	0.94	0.93
TM9V060B12MP12C	XAHC30C	1.01	0.98	0.92
TM9V080B12MP12C	CF/CM/CU24B	1.02	1.05	0.91
TM9V080B12MP12C	CF/CM/CU30B	1.02	1.05	0.91
TM9V080B12MP12C	CF/CM/CU36B	1.02	1.04	0.86
TM9V080B12MP12C	CF42B	1.02	1.04	0.89
TM9V080B12MP12C	XAF/XAUB30C	1.02	0.96	0.93
TM9V080B12MP12C	XAFB24B	1.02	0.98	0.93
TM9V080B12MP12C	XAFC30C	1.01	0.96	0.89
TM9V080B12MP12C	XAHB24B	1.02	0.98	0.93
TM9V080B12MP12C	XAHB30C	1.02	1.02	0.93
TM9V080B12MP12C	XAHC30C	1.01	1.02	0.90
TM9V080C16MP12C	CF/CM/CU36C	1.02	1.12	0.89
TM9V080C16MP12C	CF/CM/CU42C	1.02	1.12	0.89
TM9V080C16MP12C	CF/CM30C	1.02	1.12	0.89
TM9V080C16MP12C	CF/CM36D	1.02	1.12	0.89
TM9V080C16MP12C	CF/CM42D	1.02	1.12	0.89
TM9V080C16MP12C	XAFC30C	1.02	1.14	0.91
TM9V080C16MP12C	XAHC30C	1.02	1.14	0.91
TM9V100C16MP12C	CF/CM/CU30C	1.02	1.11	0.89
TM9V100C16MP12C	CF/CM/CU30D	1.02	1.11	0.89
TM9V100C16MP12C	CF/CM/CU36C	1.02	1.10	0.89
TM9V100C16MP12C	CF/CM/CU36D	1.02	1.10	0.88
TM9V100C16MP12C	CF/CM/CU42C	1.02	1.09	0.88
TM9V100C16MP12C	CF/CM/CU42D	1.02	1.09	0.88
TM9V100C16MP12C	XAFC30C	1.02	1.11	0.89
TM9V100C16MP12C	XAHC30C	1.02	1.12	0.89
TM9Y040A10MP11	CF/CM/CU24A	1.01	1.03	0.97
TM9Y040A10MP11	CF/CM/CU30A	1.02	1.05	0.96
TM9Y040A10MP11	CF/CM36A	1.02	1.03	0.94
TM9Y040A10MP11	XAF/XAUA24B	0.99	0.93	0.95
TM9Y040A10MP11	XAF/XAUB30C	1.01	0.98	0.95
TM9Y040A10MP11	XAFB24B	0.98	0.93	0.95
TM9Y040A10MP11	XAHA24B	0.99	0.93	0.95

FURNACE MULTIPLIERS - 2 TON (Continued)

Furnaces	Coil	T.C.	S.C.	kW
TM9Y040A10MP11	XAHB24B	0.98	0.93	0.95
TM9Y040A10MP11	XAHB30C	1.01	0.97	0.95
TM9Y060B12MP11	CF/CM/CU24B	1.00	0.96	0.89
TM9Y060B12MP11	CF/CM/CU30B	1.02	0.98	0.89
TM9Y060B12MP11	CF/CM/CU36B	1.02	0.97	0.89
TM9Y060B12MP11	CF/CM/CU36C	1.02	0.98	0.89
TM9Y060B12MP11	CF/CM/CU42C	1.02	0.99	0.89
TM9Y060B12MP11	CF/CM24C	1.00	0.96	0.89
TM9Y060B12MP11	CF/CM30C	1.02	0.98	0.89
TM9Y060B12MP11	CF42B	1.02	0.98	0.89
TM9Y060B12MP11	XAF/XAUB30C	1.02	0.97	0.93
TM9Y060B12MP11	XAFB24B	1.00	0.93	0.91
TM9Y060B12MP11	XAFC30C	1.01	0.97	0.92
TM9Y060B12MP11	XAHB24B	1.00	0.92	0.88
TM9Y060B12MP11	XAHB30C	1.02	0.94	0.93
TM9Y060B12MP11	XAHC30C	1.01	0.97	0.92
TM9Y080B12MP11	CF/CM/CU24B	0.98	0.97	0.88
TM9Y080B12MP11	CF/CM/CU30B	1.00	0.98	0.88
TM9Y080B12MP11	CF/CM/CU36B	1.01	0.98	0.89
TM9Y080B12MP11	CF42B	1.02	1.08	0.88
TM9Y080B12MP11	XAF/XAUB30C	1.02	0.98	0.93
TM9Y080B12MP11	XAFB24B	1.01	0.95	0.92
TM9Y080B12MP11	XAFC30C	1.01	0.98	0.92
TM9Y080B12MP11	XAHB24B	1.01	0.95	0.92
TM9Y080B12MP11	XAHB30C	1.02	0.98	0.93
TM9Y080B12MP11	XAHC30C	1.01	0.98	0.92
TM9Y080C16MP11	CF/CM/CU36C	1.01	0.92	0.87
TM9Y080C16MP11	CF/CM/CU42C	1.01	0.93	0.87
TM9Y080C16MP11	CF/CM24C	0.98	0.90	0.88
TM9Y080C16MP11	CF/CM30C	1.00	0.92	0.86
TM9Y080C16MP11	CF/CM36D	1.01	0.92	0.87
TM9Y080C16MP11	CF/CM42D	1.01	0.93	0.87
TM9Y080C16MP11	XAHC30C	1.02	1.14	0.91
TM9Y100C16MP11	CF/CM/CU24C	0.95	0.90	0.88
TM9Y100C16MP11	CF/CM/CU30C	0.97	0.91	0.86
TM9Y100C16MP11	CF/CM/CU30D	0.98	0.94	0.86
TM9Y100C16MP11	CF/CM/CU36C	0.99	0.93	0.87
TM9Y100C16MP11	CF/CM/CU36D	0.99	0.93	0.87
TM9Y100C16MP11	CF/CM/CU42C	0.98	0.93	0.86
TM9Y100C16MP11	CF/CM/CU42D	0.98	0.93	0.86
TM9Y100C16MP11	XAHC30C	1.02	1.14	0.91
TMLE040A12MP11	XAF/XAUA24B	1.00	0.96	0.91
TMLE040A12MP11	XAF/XAUB30C	1.01	1.04	0.87
TMLE040A12MP11	XAFB24B	1.00	0.94	0.91
TMLE040A12MP11	XAHA24B	1.00	0.96	0.91
TMLE040A12MP11	XAHB24B	1.01	0.98	0.92
TMLE040A12MP11	XAHB30C	1.01	1.02	0.88
TMLE060A12MP11	XAF/XAUA24B	1.01	0.96	0.92
TMLE060A12MP11	XAF/XAUB30C	1.01	1.02	0.89
TMLE060A12MP11	XAFB24B	1.00	0.98	0.91
TMLE060A12MP11	XAHA24B	1.01	0.96	0.92
TMLE060A12MP11	XAHB24B	1.00	0.98	0.91
TMLE060A12MP11	XAHB30C	1.01	1.02	0.89
TMLE080B12MP11	XAF/XAUB30C	1.02	0.99	0.89
TMLE080B12MP11	XAFB24B	1.01	0.97	0.92
TMLE080B12MP11	XAFC30C	1.01	0.99	0.89

FURNACE MULTIPLIERS - 2 TON (Continued)

Furnaces	Coil	T.C.	S.C.	kW
TMLE080B12MP11	XAHB24B	1.01	0.95	0.92
TMLE080B12MP11	XAHB30C	1.02	0.98	0.89
TMLE080B12MP11	XAHC30C	1.01	0.99	0.89
TMLE080C16MP11	XAFC30C	1.02	1.05	0.88
TMLE080C16MP11	XAHC30C	1.02	1.03	0.88
TMLE100B12MP11	XAF/XAUB30C	1.02	0.98	0.88
TMLE100B12MP11	XAFB24B	1.01	0.95	0.92
TMLE100B12MP11	XAFC30C	1.01	0.98	0.87
TMLE100B12MP11	XAHB24B	1.01	0.95	0.92
TMLE100B12MP11	XAHB30C	1.02	0.98	0.88
TMLE100B12MP11	XAHC30C	1.01	0.98	0.87
TMLE100C16MP11	XAFC30C	1.02	1.04	0.88
TMLE100C16MP11	XAHC30C	1.02	1.02	0.88
TMLE120C16MP11	XAFC30C	1.02	1.04	0.88
TMLE120C16MP11	XAHC30C	1.02	1.04	0.88
TMLV060A12MP12C	CF/CM/CU24A	1.02	1.05	0.94
TMLV060A12MP12C	CF/CM/CU30A	1.02	1.05	0.93
TMLV060A12MP12C	CF/CM36A	1.02	1.04	0.91
TMLV060A12MP12C	XAF/XAUA24B	0.98	0.90	0.91
TMLV060A12MP12C	XAF/XAUB30C	1.01	0.98	0.89
TMLV060A12MP12C	XAFB24B	1.00	0.95	0.91
TMLV060A12MP12C	XAHA24B	0.98	0.90	0.91
TMLV060A12MP12C	XAHB24B	1.00	0.96	0.91
TMLV060A12MP12C	XAHB30C	1.01	0.93	0.89
TMLV080B12MP12C	CF/CM/CU24B	1.02	1.06	0.94
TMLV080B12MP12C	CF/CM/CU30B	1.02	1.07	0.93
TMLV080B12MP12C	CF/CM/CU36B	1.02	1.06	0.91
TMLV080B12MP12C	CF42B	1.02	1.05	0.91
TMLV080C16MP12C	CF/CM/CU30C	1.02	1.08	0.88
TMLV080C16MP12C	CF/CM/CU30D	1.02	1.08	0.88
TMLV080C16MP12C	CF/CM/CU36C	1.02	1.08	0.88
TMLV080C16MP12C	CF/CM/CU36D	1.02	1.08	0.88
TMLV080C16MP12C	CF/CM/CU42C	1.02	1.08	0.86
TMLV080C16MP12C	CF/CM/CU42D	1.02	1.08	0.86
TMLV100C16MP12C	CF/CM/CU30C	1.02	1.08	0.88
TMLV100C16MP12C	CF/CM/CU30D	1.02	1.08	0.88
TMLV100C16MP12C	CF/CM/CU36C	1.02	1.08	0.88
TMLV100C16MP12C	CF/CM/CU36D	1.02	1.08	0.88
TMLV100C16MP12C	CF/CM/CU42C	1.02	1.08	0.86
TMLV100C16MP12C	CF/CM/CU42D	1.02	1.08	0.86
TMLV100C16MP12C	XAFC30C	1.02	1.10	0.88
TMLV100C16MP12C	XAHC30C	1.02	1.10	0.90
TMLX060A12MP11	CF/CM/CU24A	1.00	1.01	0.91
TMLX060A12MP11	CF/CM/CU30A	1.02	1.02	0.91
TMLX060A12MP11	CF/CM36A	1.02	1.03	0.89
TMLX080B12MP11	CF/CM/CU24B	1.02	1.04	0.91
TMLX080B12MP11	CF/CM/CU30B	1.02	1.05	0.89
TMLX080B12MP11	CF/CM/CU36B	1.02	1.03	0.88
TMLX080B12MP11	CF42B	1.02	1.06	0.88
TMLX080C16MP11	CF/CM/CU24C	0.98	0.97	0.88
TMLX080C16MP11	CF/CM/CU30C	1.00	0.98	0.86
TMLX080C16MP11	CF/CM/CU30D	1.02	1.02	0.86
TMLX080C16MP11	CF/CM/CU36C	1.02	0.98	0.88
TMLX080C16MP11	CF/CM/CU36D	1.02	1.00	0.86
TMLX080C16MP11	CF/CM/CU42C	1.02	0.99	0.88
TMLX080C16MP11	CF/CM/CU42D	1.02	1.00	0.86

FURNACE MULTIPLIERS - 2 TON (Continued)

Furnaces	Coil	T.C.	S.C.	kW
TMLX100C16MP11	CF/CM/CU24C	0.98	0.97	0.88
TMLX100C16MP11	CF/CM/CU30C	1.00	0.98	0.86
TMLX100C16MP11	CF/CM/CU30D	1.02	1.02	0.86
TMLX100C16MP11	CF/CM/CU36C	1.02	0.98	0.88
TMLX100C16MP11	CF/CM/CU36D	1.02	1.00	0.86
TMLX100C16MP11	CF/CM/CU42C	1.02	0.99	0.88
TMLX100C16MP11	CF/CM/CU42D	1.02	1.00	0.86
TP9C060B12MP13C	CF/CM/CU24B	1.00	0.99	0.91
TP9C060B12MP13C	CF/CM/CU30B	1.02	0.99	0.93
TP9C060B12MP13C	CF/CM/CU36B	1.02	0.98	0.89
TP9C060B12MP13C	CF/CM/CU36C	1.02	0.98	0.89
TP9C060B12MP13C	CF/CM/CU42C	1.02	0.99	0.89
TP9C060B12MP13C	CF/CM24C	1.02	1.03	0.93
TP9C060B12MP13C	CF/CM30C	1.02	0.99	0.93
TP9C060B12MP13C	CF42B	1.02	0.99	0.89
TP9C060B12MP13C	XAF/XAUB30C	1.02	0.98	0.93
TP9C060B12MP13C	XAFB24B	1.00	0.96	0.91
TP9C060B12MP13C	XAFC30C	1.01	0.98	0.92
TP9C060B12MP13C	XAHB24B	1.00	0.96	0.93
TP9C060B12MP13C	XAHB30C	1.02	0.94	0.93
TP9C060B12MP13C	XAHC30C	1.01	0.98	0.92
TP9C080B12MP13C	CF/CM/CU24B	1.02	1.05	0.91
TP9C080B12MP13C	CF/CM/CU30B	1.02	1.05	0.91
TP9C080B12MP13C	CF/CM/CU36B	1.02	1.04	0.86
TP9C080B12MP13C	CF42B	1.02	1.04	0.89
TP9C080B12MP13C	XAF/XAUB30C	1.02	0.96	0.93
TP9C080B12MP13C	XAFB24B	1.02	0.98	0.93
TP9C080B12MP13C	XAFC30C	1.01	0.96	0.89
TP9C080B12MP13C	XAHB24B	1.02	0.98	0.93
TP9C080B12MP13C	XAHB30C	1.02	1.02	0.93
TP9C080B12MP13C	XAHC30C	1.01	1.02	0.90
TP9C080C16MP13C	CF/CM/CU36C	1.02	1.12	0.89
TP9C080C16MP13C	CF/CM/CU42C	1.02	1.12	0.89
TP9C080C16MP13C	CF/CM30C	1.02	1.12	0.89
TP9C080C16MP13C	CF/CM36D	1.02	1.12	0.89
TP9C080C16MP13C	CF/CM42D	1.02	1.12	0.89
TP9C080C16MP13C	XAFC30C	1.02	1.14	0.91
TP9C080C16MP13C	XAHC30C	1.02	1.14	0.91
TP9C100C16MP13C	CF/CM/CU30C	1.02	1.11	0.89
TP9C100C16MP13C	CF/CM/CU30D	1.02	1.11	0.89
TP9C100C16MP13C	CF/CM/CU36C	1.02	1.10	0.89
TP9C100C16MP13C	CF/CM/CU36D	1.02	1.10	0.88
TP9C100C16MP13C	CF/CM/CU42C	1.02	1.09	0.88
TP9C100C16MP13C	CF/CM/CU42D	1.02	1.09	0.88
TP9C100C16MP13C	XAFC30C	1.02	1.11	0.89
TP9C100C16MP13C	XAHC30C	1.02	1.12	0.89
TPLC060A12MP13C	CF/CM/CU24A	1.02	1.05	0.94
TPLC060A12MP13C	CF/CM/CU30A	1.02	1.05	0.93
TPLC060A12MP13C	CF/CM36A	1.02	1.04	0.91
TPLC060A12MP13C	XAF/XAUA24B	0.98	0.90	0.91
TPLC060A12MP13C	XAF/XAUB30C	1.01	0.98	0.89
TPLC060A12MP13C	XAFB24B	1.00	0.95	0.91
TPLC060A12MP13C	XAHA24B	0.98	0.90	0.91
TPLC060A12MP13C	XAHB24B	1.00	0.96	0.91
TPLC060A12MP13C	XAHB30C	1.01	0.93	0.89
TPLC080B12MP13C	CF/CM/CU24B	1.02	1.06	0.94

FURNACE MULTIPLIERS - 2 TON (Continued)

Furnaces	Coil	T.C.	S.C.	kW
TPLC080B12MP13C	CF/CM/CU30B	1.02	1.07	0.93
TPLC080B12MP13C	CF/CM/CU36B	1.02	1.06	0.91
TPLC080B12MP13C	CF42B	1.02	1.05	0.91
TPLC080B12MP13C	XAF/XAUB30C	1.02	0.97	0.93
TPLC080B12MP13C	XAFB24B	1.00	0.93	0.93
TPLC080B12MP13C	XAFC30C	1.01	0.92	0.90
TPLC080B12MP13C	XAHB24B	0.99	0.91	0.92
TPLC080B12MP13C	XAHB30C	1.02	0.92	0.93
TPLC080B12MP13C	XAHC30C	1.01	0.97	0.90
TPLC080C16MP13C	CF/CM/CU30C	1.02	1.08	0.88
TPLC080C16MP13C	CF/CM/CU30D	1.02	1.08	0.88
TPLC080C16MP13C	CF/CM/CU36C	1.02	1.08	0.88
TPLC080C16MP13C	CF/CM/CU36D	1.02	1.08	0.88
TPLC080C16MP13C	CF/CM/CU42C	1.02	1.08	0.86
TPLC080C16MP13C	CF/CM/CU42D	1.02	1.08	0.86
TPLC080C16MP13C	XAFC30C	1.02	1.10	0.88
TPLC080C16MP13C	XAHC30C	1.02	1.10	0.90
TPLC100C16MP13C	CF/CM/CU30C	1.02	1.08	0.88
TPLC100C16MP13C	CF/CM/CU30D	1.02	1.08	0.88
TPLC100C16MP13C	CF/CM/CU36C	1.02	1.08	0.88
TPLC100C16MP13C	CF/CM/CU36D	1.02	1.08	0.88
TPLC100C16MP13C	CF/CM/CU42C	1.02	1.08	0.86
TPLC100C16MP13C	CF/CM/CU42D	1.02	1.08	0.86
TPLC100C16MP13C	XAFC30C	1.02	1.10	0.88
TPLC100C16MP13C	XAHC30C	1.02	1.10	0.90
YP9C060B12MP13C	CF/CM/CU24B	1.00	0.99	0.91
YP9C060B12MP13C	CF/CM/CU30B	1.02	0.99	0.93
YP9C060B12MP13C	CF/CM/CU36B	1.02	0.98	0.89
YP9C060B12MP13C	CF/CM/CU36C	1.02	0.98	0.89
YP9C060B12MP13C	CF/CM/CU42C	1.02	0.99	0.89
YP9C060B12MP13C	CF/CM24C	1.02	1.03	0.93
YP9C060B12MP13C	CF/CM30C	1.02	0.99	0.93
YP9C060B12MP13C	CF42B	1.02	0.99	0.89
YP9C060B12MP13C	XAF/XAUB30C	1.02	0.98	0.93
YP9C060B12MP13C	XAFB24B	1.00	0.96	0.91
YP9C060B12MP13C	XAFC30C	1.01	0.98	0.92
YP9C060B12MP13C	XAHB24B	1.00	0.96	0.93
YP9C060B12MP13C	XAHB30C	1.02	0.94	0.93
YP9C060B12MP13C	XAHC30C	1.01	0.98	0.92
YP9C080B12MP13C	CF/CM/CU24B	1.02	1.05	0.91
YP9C080B12MP13C	CF/CM/CU30B	1.02	1.05	0.91
YP9C080B12MP13C	CF/CM/CU36B	1.02	1.04	0.86
YP9C080B12MP13C	CF42B	1.02	1.04	0.89
YP9C080B12MP13C	XAF/XAUB30C	1.02	0.96	0.93
YP9C080B12MP13C	XAFB24B	1.02	0.98	0.93
YP9C080B12MP13C	XAFC30C	1.01	0.96	0.89
YP9C080B12MP13C	XAHB24B	1.02	0.98	0.93
YP9C080B12MP13C	XAHB30C	1.02	1.02	0.93
YP9C080B12MP13C	XAHC30C	1.01	1.02	0.90
YP9C080C16MP13C	CF/CM/CU36C	1.02	1.12	0.89
YP9C080C16MP13C	CF/CM/CU42C	1.02	1.12	0.89
YP9C080C16MP13C	CF/CM30C	1.02	1.12	0.89
YP9C080C16MP13C	CF/CM36D	1.02	1.12	0.89
YP9C080C16MP13C	CF/CM42D	1.02	1.12	0.89
YP9C080C16MP13C	XAFC30C	1.02	1.14	0.91
YP9C080C16MP13C	XAHC30C	1.02	1.14	0.91

FURNACE MULTIPLIERS - 2 TON (Continued)

Furnaces	Coil	T.C.	S.C.	kW
YP9C100C16MP13C	CF/CM/CU30C	1.02	1.11	0.89
YP9C100C16MP13C	CF/CM/CU30D	1.02	1.11	0.89
YP9C100C16MP13C	CF/CM/CU36C	1.02	1.10	0.89
YP9C100C16MP13C	CF/CM/CU36D	1.02	1.10	0.88
YP9C100C16MP13C	CF/CM/CU42C	1.02	1.09	0.88
YP9C100C16MP13C	CF/CM/CU42D	1.02	1.09	0.88
YP9C100C16MP13C	XAFC30C	1.02	1.11	0.89
YP9C100C16MP13C	XAHC30C	1.02	1.12	0.89
YPLC060A12MP13C	CF/CM/CU24A	1.02	1.05	0.94
YPLC060A12MP13C	CF/CM/CU30A	1.02	1.05	0.93
YPLC060A12MP13C	CF/CM36A	1.02	1.04	0.91
YPLC060A12MP13C	XAF/XAUA24B	0.98	0.90	0.91
YPLC060A12MP13C	XAF/XAUB30C	1.01	0.98	0.89
YPLC060A12MP13C	XAFB24B	1.00	0.95	0.91
YPLC060A12MP13C	XAHA24B	0.98	0.90	0.91
YPLC060A12MP13C	XAHB24B	1.00	0.96	0.91
YPLC060A12MP13C	XAHB30C	1.01	0.93	0.89
YPLC080B12MP13C	CF/CM/CU24B	1.02	1.06	0.94
YPLC080B12MP13C	CF/CM/CU30B	1.02	1.07	0.93
YPLC080B12MP13C	CF/CM/CU36B	1.02	1.06	0.91
YPLC080B12MP13C	CF42B	1.02	1.05	0.91
YPLC080B12MP13C	XAF/XAUB30C	1.02	0.97	0.93
YPLC080B12MP13C	XAFB24B	1.00	0.93	0.93

FURNACE MULTIPLIERS - 2 TON (Continued)

Furnaces	Coil	T.C.	S.C.	kW
YPLC080B12MP13C	XAFC30C	1.01	0.92	0.90
YPLC080B12MP13C	XAHB24B	0.99	0.91	0.92
YPLC080B12MP13C	XAHB30C	1.02	0.92	0.93
YPLC080B12MP13C	XAHC30C	1.01	0.97	0.90
YPLC080C16MP13C	CF/CM/CU30C	1.02	1.08	0.88
YPLC080C16MP13C	CF/CM/CU30D	1.02	1.08	0.88
YPLC080C16MP13C	CF/CM/CU36C	1.02	1.08	0.88
YPLC080C16MP13C	CF/CM/CU36D	1.02	1.08	0.88
YPLC080C16MP13C	CF/CM/CU42C	1.02	1.08	0.86
YPLC080C16MP13C	CF/CM/CU42D	1.02	1.08	0.86
YPLC080C16MP13C	XAFC30C	1.02	1.10	0.88
YPLC080C16MP13C	XAHC30C	1.02	1.10	0.90
YPLC100C16MP13C	CF/CM/CU30C	1.02	1.08	0.88
YPLC100C16MP13C	CF/CM/CU30D	1.02	1.08	0.88
YPLC100C16MP13C	CF/CM/CU36C	1.02	1.08	0.88
YPLC100C16MP13C	CF/CM/CU36D	1.02	1.08	0.88
YPLC100C16MP13C	CF/CM/CU42C	1.02	1.08	0.86
YPLC100C16MP13C	CF/CM/CU42D	1.02	1.08	0.86
YPLC100C16MP13C	XAFC30C	1.02	1.10	0.88
YPLC100C16MP13C	XAHC30C	1.02	1.10	0.90

PERFORMANCE DATA - 2.5 TON

CONDENSER-ONLY DATA (OUTDOOR UNIT)																		
MODEL	SATURATED SUCTION AT COMPRESSOR		Outdoor Ambient Temperature															
			55°F		65°F		75°F		85°F		95°F		105°F		115°F		125°F	
	T (°F)	P (PSIG)	MBH	kW	MBH	kW	MBH	kW	MBH	kW	MBH	kW	MBH	kW	MBH	kW	MBH	kW
YCG30B21S	35	107	26.2	1.55	25.0	1.70	23.7	1.87	22.4	2.06	21.0	2.28	19.5	2.54	17.9	2.84	16.2	3.18
	40	118	28.9	1.53	27.6	1.69	26.2	1.86	24.8	2.05	23.3	2.27	21.6	2.52	19.9	2.83	18.0	3.16
	45	130	31.8	1.52	30.4	1.67	28.9	1.84	27.3	2.03	25.7	2.24	23.9	2.50	22.1	2.81	20.1	3.14
	50	142	35.0	1.51	33.4	1.66	31.8	1.82	30.1	2.01	28.3	2.22	26.4	2.48	24.4	2.78	22.2	3.12
	55	156	38.4	1.49	36.7	1.64	34.9	1.81	33.1	1.99	31.2	2.21	29.1	2.46	26.9	2.76	24.6	3.09

Notes:

- For outdoor unit (condenser) performance only. Data does not include the effects of air handler power or heat.
- Performance based on 15°F subcooling and 15°F superheat at the outdoor unit base valves.
 - Increase capacity by 1% for each 2°F increase in subcooling.
 - Decrease capacity by 1% for each 2°F decrease in subcooling.
- Maximum recommended condensing temperature is 140°F.

COOLING PERFORMANCE DATA																
OUTDOOR UNIT MODEL NO.		YCG30B21S														
INDOOR COIL MODEL NO.		CF36BXA1														
AIR TEMPERATURE ENTERING OUTDOOR UNIT (°F)	ID CFM	800					1000					1200				
	ID DB (°F)	80	80	75	80	80	80	80	75	80	80	80	80	75	80	80
	ID WB (°F)	57	62	62	67	72	57	62	62	67	72	57	62	62	67	72
55	T.C.	28.4	29.1	29.7	31.8	33.7	30.4	30.5	31.4	33.1	35.0	32.3	31.9	33.1	34.4	36.3
	S.C.	28.1	24.2	20.7	20.7	15.9	30.2	26.9	23.0	22.5	16.8	32.3	29.5	25.2	24.2	17.7
	kW	1.45	1.45	1.46	1.46	1.46	1.52	1.52	1.53	1.53	1.53	1.59	1.60	1.60	1.60	1.61
65	T.C.	27.3	28.2	28.2	31.1	32.9	29.4	29.8	29.9	32.7	34.3	31.4	31.3	31.6	34.2	35.7
	S.C.	27.0	24.0	20.2	20.5	15.7	29.0	26.7	22.5	22.5	16.7	31.1	29.5	24.7	24.5	17.7
	kW	1.60	1.59	1.61	1.60	1.61	1.67	1.67	1.68	1.67	1.68	1.75	1.75	1.75	1.75	1.76
75	T.C.	26.2	27.2	26.8	30.4	32.1	28.3	29.0	28.5	32.2	33.5	30.5	30.7	30.2	34.0	35.0
	S.C.	25.8	23.7	19.8	20.2	15.5	27.9	26.6	21.9	22.4	16.6	29.9	29.5	24.1	24.7	17.6
	kW	1.75	1.73	1.76	1.73	1.76	1.82	1.81	1.83	1.81	1.83	1.90	1.89	1.90	1.89	1.91
85	T.C.	25.6	25.9	26.1	28.8	31.3	27.6	27.3	27.7	30.3	32.6	29.7	28.8	29.2	31.8	34.0
	S.C.	25.2	23.0	19.4	19.5	15.3	27.1	25.6	21.6	21.7	16.4	29.1	28.3	23.8	23.9	17.6
	kW	1.96	1.95	1.97	1.95	1.96	2.03	2.02	2.03	2.02	2.03	2.10	2.09	2.10	2.09	2.10
95	T.C.	25.0	24.5	25.3	27.2	30.5	26.9	25.7	26.8	28.4	31.7	28.8	26.9	28.3	29.6	33.0
	S.C.	24.5	22.2	19.1	18.9	15.1	26.3	24.7	21.3	21.0	16.3	28.2	26.9	23.4	23.1	17.5
	kW	2.18	2.16	2.18	2.16	2.16	2.24	2.22	2.24	2.23	2.23	2.30	2.29	2.31	2.30	2.30
105	T.C.	23.6	23.7	23.7	25.8	28.8	25.4	24.8	25.1	27.0	29.9	27.2	25.9	26.5	28.2	31.0
	S.C.	23.2	22.0	18.4	18.3	14.5	24.8	24.1	20.5	20.3	15.7	26.5	25.9	22.6	22.4	16.8
	kW	2.56	2.57	2.58	2.54	2.52	2.61	2.61	2.63	2.60	2.59	2.66	2.66	2.69	2.67	2.67
115	T.C.	22.2	23.0	22.2	24.4	27.1	23.9	24.0	23.5	25.6	28.1	25.6	25.0	24.7	26.8	29.1
	S.C.	21.9	21.7	17.6	17.6	13.9	23.4	23.5	19.7	19.7	15.0	24.9	25.0	21.7	21.7	16.2
	kW	2.93	2.97	2.97	2.91	2.87	2.97	3.00	3.01	2.96	2.95	3.01	3.02	3.06	3.02	3.02
125	T.C.	20.9	22.3	20.7	23.0	25.4	22.4	23.2	21.8	24.2	26.3	23.9	24.1	23.0	25.4	27.2
	S.C.	20.6	21.5	16.9	17.0	13.4	21.9	22.9	18.9	19.0	14.4	23.3	24.1	20.9	21.0	15.5
	kW	3.29	3.37	3.36	3.27	3.22	3.33	3.38	3.39	3.33	3.30	3.36	3.39	3.43	3.38	3.38

Note: All capacities include indoor fan heat. kW values are for the system (outdoor + indoor).

Green shaded cells are ACCA (TVA) conditions.

Blue shaded cells are AHRI conditions.

Multipliers for determining the performance with other indoor sections

Note: For dry bulb temperatures different than those listed (between 73°F to 87°F), sensible capacity increases by 1060 BTUH per 1000 CFM per degree above the listed temperature and decreases by 1060 BTUH per 1000 CFM per degree below the listed temperature.

COIL MULTIPLIERS - 2.5 TON

Air Handler	Coil	T.C.	S.C.	kW
—	CF/CM/CU30B	0.99	0.97	1.01
—	CF/CM/CU30C	0.99	0.97	1.01
—	CF/CM/CU30D	0.99	0.97	1.01
—	CF/CM/CU36B	1.00	1.00	1.00
—	CF/CM/CU36C	1.00	1.00	1.00
—	CF/CM/CU36D	1.00	1.00	1.00
—	CF/CM/CU42C	1.01	1.00	0.99
—	CF/CM/CU42D	1.02	1.02	1.00
—	CF/CM36A	0.99	1.04	0.99
—	CF42B	1.01	1.00	0.99
—	XAF/XAUB30C	0.99	1.04	1.01
—	XAF/XAUB36D	1.00	1.03	1.00
—	XAF/XAUC42E	1.01	1.03	0.97
—	XAFA30D	0.99	0.96	1.01
—	XAFB36E	1.01	1.03	0.97
—	XAFC30C	0.99	1.04	1.01
—	XAFC36D	1.00	1.03	1.00
—	XAFD42E	1.01	1.03	0.97
—	XAHB30C	0.99	1.04	1.01
—	XAHC30C	0.99	1.04	1.01
—	XAHC36D	1.00	1.03	1.00
—	XAHC42E	1.01	1.03	0.97
—	XAHD42E	1.01	1.03	0.97
AE30BX21	—	0.98	0.92	0.89
AE36BX21	—	1.03	1.03	0.92
AE36CX21	—	1.03	1.04	0.90
AP30BX21	—	0.99	1.00	0.99
AP36BX21	—	1.01	1.01	0.99
AP36CX21	—	1.02	1.00	1.00
AVC30BX21	—	0.97	0.91	0.90
AVC36BX21	—	1.03	1.05	0.92
AVC36CX21	—	1.02	1.01	0.90
ME08BN21	CF/CM30B	0.99	0.96	0.90
ME08BN21	CF/CM36B	1.01	0.98	0.91
ME08BN21	CF42B	1.02	0.96	0.91
ME12BN21	CF/CM30B	0.98	0.91	0.89
ME12BN21	CF/CM36B	1.00	0.94	0.89
ME12BN21	CF42B	1.04	1.02	0.93
ME14DN21	CF/CM30D	1.02	1.03	0.88
ME14DN21	CF/CM36D	1.04	1.07	0.90
ME14DN21	CF/CM42D	1.05	1.05	0.91
ME16CN21	CF/CM30C	1.01	1.03	0.94
ME16CN21	CF/CM36C	1.04	1.06	0.93
ME16CN21	CF/CM42C	1.05	1.08	0.94
MVC08BN21	CF/CM30B	0.99	0.96	0.93
MVC08BN21	CF/CM36B	1.01	1.02	0.95
MVC08BN21	CF42B	1.01	1.01	0.94
MVC12BN21	CF/CM30B	0.99	0.94	0.90
MVC12BN21	CF/CM36B	0.98	0.95	0.92
MVC12BN21	CF42B	1.00	0.95	0.91
MVC14DN21	CF/CM30D	1.00	0.99	0.91
MVC14DN21	CF/CM36D	1.02	1.03	0.90
MVC14DN21	CF/CM42D	1.04	1.05	0.89
MVC16CN21	CF/CM30C	0.99	0.97	0.92
MVC16CN21	CF/CM36C	1.01	1.02	0.92

COIL MULTIPLIERS - 2.5 TON (Continued)

MVC16CN21	CF/CM42C	1.02	1.01	0.91
MVC20DN21	CF/CM42D	1.04	1.06	0.93

FURNACE MULTIPLIERS - 2.5 TON

Furnaces	Coil	T.C.	S.C.	kW
TL8E060A12UH11	CF/CM/CU30B	0.99	1.00	0.92
TL8E060A12UH11	CF/CM/CU36B	0.99	1.04	0.92
TL8E060A12UH11	CF/CM/CU36C	1.00	1.04	0.91
TL8E060A12UH11	CF/CM/CU42C	1.01	1.03	0.92
TL8E060A12UH11	CF/CM30C	1.00	1.03	0.91
TL8E060A12UH11	CF/CM36A	0.99	1.00	0.93
TL8E060A12UH11	CF42B	1.01	1.02	0.92
TL8E060A12UH11	XAF/XAUB30C	1.01	1.06	0.96
TL8E060A12UH11	XAF/XAUB36D	1.02	1.04	0.96
TL8E060A12UH11	XAFA30D	0.99	1.01	0.99
TL8E060A12UH11	XAFB36E	1.00	0.95	0.91
TL8E060A12UH11	XAHB30C	1.01	1.05	0.95
TL8E060A12UH11	XAHB36D	1.01	1.01	0.95
TL8E060A12UH11	XAHC42E	1.00	0.95	0.89
TL8E080C16UH11	CF/CM/CU36C	1.01	1.09	0.92
TL8E080C16UH11	CF/CM/CU42C	1.03	1.08	0.94
TL8E080C16UH11	CF/CM30C	1.01	1.05	0.92
TL8E080C16UH11	CF/CM36D	1.01	1.09	0.92
TL8E080C16UH11	CF/CM42D	1.03	1.08	0.94
TL8E080C16UH11	XAF/XAUC42E	1.02	0.99	0.93
TL8E080C16UH11	XAFC30C	1.01	0.99	0.92
TL8E080C16UH11	XAFC36D	1.01	0.98	0.92
TL8E080C16UH11	XAFD42E	1.01	0.98	0.92
TL8E080C16UH11	XAHC30C	1.01	0.99	0.92
TL8E080C16UH11	XAHC36D	1.01	0.97	0.92
TL8E080C16UH11	XAHC42E	1.01	0.97	0.92
TL8E080C16UH11	XAHD42E	1.01	0.97	0.92
TL8E100C20UH11	CF/CM/CU36C	1.03	1.14	0.94
TL8E100C20UH11	CF/CM/CU42C	1.04	1.14	0.95
TL8E100C20UH11	CF/CM30C	1.03	1.12	0.94
TL8E100C20UH11	CF/CM36D	1.03	1.14	0.94
TL8E100C20UH11	CF/CM42D	1.05	1.15	0.96
TL8E100C20UH11	XAF/XAUC42E	1.04	1.03	0.94
TL8E100C20UH11	XAFC30C	1.02	1.05	0.93
TL8E100C20UH11	XAFC36D	1.03	1.03	0.94
TL8E100C20UH11	XAFD42E	1.03	1.03	0.94
TL8E100C20UH11	XAHC30C	1.02	1.04	0.93
TL8E100C20UH11	XAHC36D	1.03	1.02	0.94
TL8E100C20UH11	XAHC42E	1.04	1.03	0.94
TL8E100C20UH11	XAHD42E	1.03	1.02	0.94
TL9E060B12UH11	CF/CM/CU30B	0.99	1.00	0.92
TL9E060B12UH11	CF/CM/CU36B	0.99	1.03	0.93
TL9E060B12UH11	CF/CM/CU36C	1.00	1.04	0.93
TL9E060B12UH11	CF/CM/CU42C	1.01	1.03	0.92
TL9E060B12UH11	CF/CM30C	0.99	1.00	0.92
TL9E060B12UH11	CF42B	1.01	1.02	0.93
TL9E060B12UH11	XAF/XAUB30C	1.01	1.06	0.99
TL9E060B12UH11	XAF/XAUB36D	1.01	1.03	0.99
TL9E060B12UH11	XAF/XAUC42E	1.02	1.05	0.98
TL9E060B12UH11	XAFB36E	1.02	1.03	0.98
TL9E060B12UH11	XAFC30C	1.00	1.06	0.98
TL9E060B12UH11	XAFC36D	1.01	1.04	0.98

FURNACE MULTIPLIERS - 2.5 TON (Continued)

Furnaces	Coil	T.C.	S.C.	kW
TL9E060B12UH11	XAHB30C	1.01	1.04	1.01
TL9E060B12UH11	XAHB36D	1.01	1.02	0.99
TL9E060B12UH11	XAHC30C	1.00	1.06	0.98
TL9E060B12UH11	XAHC36D	1.01	1.03	0.99
TL9E060B12UH11	XAHC42E	1.01	1.03	0.98
TL9E080C16UH11	CF/CM/CU36C	1.01	1.07	0.92
TL9E080C16UH11	CF/CM/CU42C	1.02	1.05	0.93
TL9E080C16UH11	CF/CM30C	1.01	1.06	0.92
TL9E080C16UH11	CF/CM36D	1.01	1.07	0.92
TL9E080C16UH11	CF/CM42D	1.02	1.05	0.93
TL9E080C16UH11	XAF/XAUC42E	1.01	0.96	0.92
TL9E080C16UH11	XAFC30C	1.01	0.98	0.92
TL9E080C16UH11	XAFC36D	1.01	0.95	0.92
TL9E080C16UH11	XAFD42E	1.01	0.97	0.92
TL9E080C16UH11	XAHC30C	1.01	1.06	0.94
TL9E080C16UH11	XAHC36D	1.01	0.95	0.92
TL9E080C16UH11	XAHC42E	1.01	0.96	0.92
TL9E080C16UH11	XAHD42E	1.01	0.96	0.92
TL9E100C20UH11	CF/CM/CU36C	1.04	1.17	0.95
TL9E100C20UH11	CF/CM/CU42C	1.06	1.17	0.96
TL9E100C20UH11	CF/CM30C	1.04	1.17	0.94
TL9E100C20UH11	CF/CM36D	1.05	1.19	0.96
TL9E100C20UH11	CF/CM42D	1.06	1.20	0.96
TL9E100C20UH11	XAF/XAUC42E	1.04	1.07	0.95
TL9E100C20UH11	XAFC30C	1.03	1.08	0.94
TL9E100C20UH11	XAFC36D	1.04	1.07	0.95
TL9E100C20UH11	XAFD42E	1.04	1.09	0.95
TL9E100C20UH11	XAHC30C	1.03	1.07	0.94
TL9E100C20UH11	XAHC36D	1.04	1.05	0.94
TL9E100C20UH11	XAHC42E	1.04	1.06	0.95
TL9E100C20UH11	XAHD42E	1.04	1.07	0.94
TM8E040A12MP11	CF/CM/CU30B	0.97	1.00	0.90
TM8E040A12MP11	CF/CM/CU36B	1.00	1.04	0.93
TM8E040A12MP11	CF/CM36A	0.99	1.00	0.93
TM8E040A12MP11	CF42B	1.01	1.02	0.93
TM8E040A12MP11	XAF/XAUB30C	1.00	1.06	0.93
TM8E040A12MP11	XAF/XAUB36D	1.00	0.95	0.93
TM8E040A12MP11	XAFA30D	0.99	1.02	0.99
TM8E040A12MP11	XAFB36E	1.00	0.95	0.93
TM8E040A12MP11	XAHB30C	1.00	1.04	0.94
TM8E040A12MP11	XAHB36D	1.01	1.02	0.96
TM8E040A12MP11	XAHC42E	1.00	0.95	0.89
TM8E060A12MP11	CF/CM/CU30B	0.97	0.98	0.90
TM8E060A12MP11	CF/CM/CU36B	0.99	0.99	0.91
TM8E060A12MP11	CF/CM36A	0.99	1.00	0.93
TM8E060A12MP11	CF42B	1.00	1.00	0.91
TM8E060A12MP11	XAF/XAUB30C	1.00	1.06	0.93
TM8E060A12MP11	XAF/XAUB36D	0.99	0.95	0.92
TM8E060A12MP11	XAFA30D	0.99	1.00	0.99
TM8E060A12MP11	XAFB36E	1.00	0.96	0.91
TM8E060A12MP11	XAHB30C	1.00	1.04	0.94
TM8E060A12MP11	XAHB36D	1.01	1.02	0.96
TM8E060A12MP11	XAHC42E	1.01	0.96	0.89
TM8E080B12MP11	CF/CM/CU30B	0.99	1.04	0.93
TM8E080B12MP11	CF/CM/CU36B	1.00	1.04	0.93

FURNACE MULTIPLIERS - 2.5 TON (Continued)

Furnaces	Coil	T.C.	S.C.	kW
TM8E080B12MP11	CF/CM/CU36C	1.00	1.06	0.93
TM8E080B12MP11	CF/CM/CU42C	1.02	1.05	0.93
TM8E080B12MP11	CF/CM30C	0.99	1.04	0.93
TM8E080B12MP11	CF42B	1.01	1.03	0.92
TM8E080B12MP11	XAF/XAUB30C	1.01	0.99	0.95
TM8E080B12MP11	XAF/XAUB36D	1.01	0.97	0.94
TM8E080B12MP11	XAF/XAUC42E	1.01	0.97	0.92
TM8E080B12MP11	XAFB36E	1.01	0.96	0.92
TM8E080B12MP11	XAFC30C	1.00	0.99	0.94
TM8E080B12MP11	XAFC36D	1.00	0.97	0.93
TM8E080B12MP11	XAHB30C	1.01	1.04	0.96
TM8E080B12MP11	XAHB36D	1.00	0.96	0.93
TM8E080B12MP11	XAHC30C	1.01	1.06	0.96
TM8E080B12MP11	XAHC36D	1.00	0.97	0.93
TM8E080B12MP11	XAHC42E	1.00	0.96	0.91
TM8E080C16MP11	CF/CM/CU36C	0.99	1.00	0.90
TM8E080C16MP11	CF/CM/CU42C	1.00	0.99	0.91
TM8E080C16MP11	CF/CM30C	1.00	1.07	0.91
TM8E080C16MP11	CF/CM36D	1.02	1.15	0.93
TM8E080C16MP11	CF/CM42D	1.02	1.13	0.93
TM8E080C16MP11	XAF/XAUC42E	1.02	0.99	0.93
TM8E080C16MP11	XAFC30C	1.00	1.00	0.91
TM8E080C16MP11	XAFC36D	1.01	0.98	0.92
TM8E080C16MP11	XAFD42E	1.01	0.98	0.92
TM8E080C16MP11	XAHC30C	1.00	0.99	0.91
TM8E080C16MP11	XAHC36D	1.00	0.97	0.91
TM8E080C16MP11	XAHC42E	1.01	0.97	0.92
TM8E080C16MP11	XAHD42E	1.01	0.99	0.92
TM8E080C20MP11	XAF/XAUC42E	1.04	1.12	0.95
TM8E080C20MP11	XAFC36D	1.04	1.11	0.95
TM8E080C20MP11	XAHC30C	1.03	1.12	0.95
TM8E080C20MP11	XAHC36D	1.04	1.10	0.95
TM8E080C20MP11	XAHC42E	1.04	1.11	0.95
TM8E080C20MP11	XAHD42E	1.04	1.12	0.95
TM8E100B12MP11	CF/CM/CU30B	0.97	0.99	0.90
TM8E100B12MP11	CF/CM/CU36B	0.99	1.01	0.90
TM8E100B12MP11	CF/CM/CU36C	1.01	1.07	0.93
TM8E100B12MP11	CF/CM/CU42C	1.01	1.02	0.92
TM8E100B12MP11	CF/CM30C	0.97	0.99	0.90
TM8E100B12MP11	CF42B	1.00	1.00	0.91
TM8E100B12MP11	XAF/XAUB30C	0.98	0.99	0.91
TM8E100B12MP11	XAF/XAUB36D	1.00	0.97	0.91
TM8E100B12MP11	XAF/XAUC42E	1.01	0.97	0.92
TM8E100B12MP11	XAFB36E	1.01	0.97	0.92
TM8E100B12MP11	XAFC30C	0.98	0.99	0.91
TM8E100B12MP11	XAFC36D	1.01	0.97	0.93
TM8E100B12MP11	XAHB30C	1.00	1.06	0.94
TM8E100B12MP11	XAHB36D	1.00	0.96	0.93
TM8E100B12MP11	XAHC30C	0.98	0.99	0.91
TM8E100B12MP11	XAHC36D	1.01	0.97	0.93
TM8E100B12MP11	XAHC42E	1.01	0.97	0.92
TM8E100C16MP11	CF/CM/CU36C	1.01	1.07	0.92
TM8E100C16MP11	CF/CM/CU42C	1.03	1.08	0.94
TM8E100C16MP11	CF/CM30C	1.00	1.04	0.91
TM8E100C16MP11	CF/CM36D	1.01	1.09	0.92

FURNACE MULTIPLIERS - 2.5 TON (Continued)

Furnaces	Coil	T.C.	S.C.	kW
TM8E100C16MP11	CF/CM42D	1.03	1.08	0.94
TM8E100C16MP11	XAF/XAUC42E	1.01	0.97	0.92
TM8E100C16MP11	XAFC30C	1.00	0.99	0.91
TM8E100C16MP11	XAFC36D	1.01	0.97	0.92
TM8E100C16MP11	XAFD42E	1.01	0.98	0.92
TM8E100C16MP11	XAHC30C	1.00	0.99	0.91
TM8E100C16MP11	XAHC36D	1.01	0.97	0.92
TM8E100C16MP11	XAHC42E	1.01	0.97	0.92
TM8E100C16MP11	XAHD42E	1.01	0.97	0.92
TM8E100C20MP11	XAF/XAUC42E	1.04	1.12	0.95
TM8E100C20MP11	XAFC36D	1.04	1.11	0.95
TM8E100C20MP11	XAHC30C	1.03	1.12	0.95
TM8E100C20MP11	XAHC36D	1.04	1.10	0.97
TM8E100C20MP11	XAHC42E	1.04	1.11	0.95
TM8E100C20MP11	XAHD42E	1.04	1.12	0.95
TM8E120C16MP11	CF/CM/CU36C	1.01	1.09	0.92
TM8E120C16MP11	CF/CM/CU42C	1.03	1.08	0.94
TM8E120C16MP11	CF/CM30C	1.00	1.07	0.91
TM8E120C16MP11	CF/CM36D	0.99	1.00	0.90
TM8E120C16MP11	CF/CM42D	1.01	1.00	0.92
TM8E120C16MP11	XAF/XAUC42E	1.02	0.98	0.93
TM8E120C16MP11	XAFC30C	1.00	1.00	0.91
TM8E120C16MP11	XAFC36D	1.01	0.98	0.92
TM8E120C16MP11	XAFD42E	1.01	0.98	0.92
TM8E120C16MP11	XAHC30C	1.00	0.99	0.91
TM8E120C16MP11	XAHC36D	1.01	0.97	0.92
TM8E120C16MP11	XAHC42E	1.01	0.97	0.92
TM8E120C16MP11	XAHD42E	1.01	0.97	0.92
TM8V060A12MP12C	CF/CM/CU30A	0.97	1.01	0.95
TM8V060A12MP12C	CF/CM36A	0.99	0.99	0.93
TM8V060A12MP12C	XAF/XAUB30C	1.00	0.99	0.94
TM8V060A12MP12C	XAF/XAUB36D	1.01	0.97	0.93
TM8V060A12MP12C	XAFA30D	0.99	0.97	0.99
TM8V060A12MP12C	XAFB36E	1.01	0.97	0.93
TM8V060A12MP12C	XAHB30C	1.00	1.02	0.94
TM8V060A12MP12C	XAHB36D	1.00	0.97	0.94
TM8V060A12MP12C	XAHC42E	1.01	0.97	0.90
TM8V080B12MP12C	CF/CM/CU30B	0.98	1.03	0.94
TM8V080B12MP12C	CF/CM/CU36B	0.98	1.03	0.92
TM8V080B12MP12C	CF42B	0.99	1.02	0.92
TM8V080B12MP12C	XAF/XAUB30C	1.01	1.04	0.99
TM8V080B12MP12C	XAF/XAUB36D	1.01	0.98	0.95
TM8V080B12MP12C	XAF/XAUC42E	1.01	0.99	0.95
TM8V080B12MP12C	XAFB36E	1.01	0.99	0.96
TM8V080B12MP12C	XAFC30C	1.00	1.04	0.98
TM8V080B12MP12C	XAFC36D	1.00	0.98	0.94
TM8V080B12MP12C	XAHB30C	1.01	1.04	0.95
TM8V080B12MP12C	XAHB36D	1.01	0.98	0.97
TM8V080B12MP12C	XAHC30C	1.00	1.04	1.00
TM8V080B12MP12C	XAHC36D	1.00	0.98	0.94
TM8V080B12MP12C	XAHC42E	1.01	0.99	0.95
TM8V080C16MP11C	CF/CM/CU30C	1.00	0.97	0.93
TM8V080C16MP12C	CF/CM/CU30C	1.00	1.07	0.93
TM8V080C16MP12C	CF/CM/CU30D	1.00	1.07	0.91
TM8V080C16MP12C	CF/CM/CU36C	1.02	1.14	0.93

FURNACE MULTIPLIERS - 2.5 TON (Continued)

Furnaces	Coil	T.C.	S.C.	kW
TM8V080C16MP12C	CF/CM/CU36D	1.02	1.14	0.91
TM8V080C16MP12C	CF/CM/CU42C	1.04	1.14	0.93
TM8V080C16MP12C	CF/CM/CU42D	1.04	1.14	0.93
TM8V080C16MP12C	XAF/XAUC42E	1.01	0.97	0.92
TM8V080C16MP12C	XAFC30C	1.00	0.98	0.93
TM8V080C16MP12C	XAFC36D	1.01	0.97	0.92
TM8V080C16MP12C	XAFD42E	1.01	0.97	0.92
TM8V080C16MP12C	XAHC30C	1.01	1.02	0.94
TM8V080C16MP12C	XAHC36D	1.01	0.97	0.92
TM8V080C16MP12C	XAHC42E	1.01	0.97	0.92
TM8V080C16MP12C	XAHD42E	1.01	0.97	0.92
TM8V080C16MP12C	XAHC42E	1.01	0.97	0.92
TM8V080C16MP12C	XAHD42E	1.01	0.97	0.92
TM8V100C16MP11C	CF/CM/CU30C	1.00	0.97	0.93
TM8V100C16MP12C	CF/CM/CU30C	1.00	1.07	0.93
TM8V100C16MP12C	CF/CM/CU30D	1.00	1.07	0.91
TM8V100C16MP12C	CF/CM/CU36C	1.02	1.14	0.93
TM8V100C16MP12C	CF/CM/CU36D	1.02	1.14	0.91
TM8V100C16MP12C	CF/CM/CU42C	1.04	1.14	0.93
TM8V100C16MP12C	CF/CM/CU42D	1.04	1.14	0.93
TM8V100C16MP12C	XAF/XAUC42E	1.01	0.97	0.92
TM8V100C16MP12C	XAFC30C	1.00	0.98	0.93
TM8V100C16MP12C	XAFC36D	1.01	0.97	0.92
TM8V100C16MP12C	XAFD42E	1.01	0.97	0.92
TM8V100C16MP12C	XAHC30C	1.01	1.02	0.94
TM8V100C16MP12C	XAHC36D	1.01	0.97	0.92
TM8V100C16MP12C	XAHC42E	1.01	0.97	0.92
TM8V100C16MP12C	XAHD42E	1.01	0.97	0.92
TM8V100C20MP12C	XAF/XAUC42E	1.04	1.10	0.95
TM8V100C20MP12C	XAFC30C	1.03	1.10	0.94
TM8V100C20MP12C	XAFC36D	1.04	1.10	0.95
TM8V100C20MP12C	XAFD42E	1.04	1.10	0.95
TM8V100C20MP12C	XAHC30C	1.03	1.10	0.95
TM8V100C20MP12C	XAHC36D	1.04	1.09	0.94
TM8V100C20MP12C	XAHC42E	1.04	1.10	0.95
TM8V100C20MP12C	XAHD42E	1.04	1.10	0.95
TM8V120C20MP12C	XAF/XAUC42E	1.04	1.10	0.95
TM8V120C20MP12C	XAFC30C	1.03	1.10	0.94
TM8V120C20MP12C	XAFC36D	1.04	1.10	0.95
TM8V120C20MP12C	XAFD42E	1.04	1.10	0.95
TM8V120C20MP12C	XAHC30C	1.03	1.10	0.95
TM8V120C20MP12C	XAHC36D	1.04	1.09	0.94
TM8V120C20MP12C	XAHC42E	1.04	1.10	0.95
TM8V120C20MP12C	XAHD42E	1.04	1.10	0.95
TM8X060A12MP11	CF/CM/CU30A	0.96	1.00	0.91
TM8X060A12MP11	CF/CM36A	0.97	1.02	0.92
TM8X080B12MP11	CF/CM/CU30B	1.00	1.07	0.94
TM8X080B12MP11	CF/CM/CU36B	1.02	1.10	0.93
TM8X080B12MP11	CF42B	1.01	1.06	0.91
TM8X080C16MP11	CF/CM/CU30C	1.00	1.07	0.91
TM8X080C16MP11	CF/CM/CU30D	1.02	1.09	0.91
TM8X080C16MP11	CF/CM/CU36C	1.01	1.08	0.90
TM8X080C16MP11	CF/CM/CU36D	1.03	1.10	0.92
TM8X080C16MP11	CF/CM/CU42C	1.02	1.07	0.90
TM8X080C16MP11	CF/CM/CU42D	1.04	1.10	0.91
TM8X100C16MP11	CF/CM/CU30C	1.00	1.07	0.91
TM8X100C16MP11	CF/CM/CU30D	1.02	1.09	0.91

FURNACE MULTIPLIERS - 2.5 TON (Continued)

Furnaces	Coil	T.C.	S.C.	kW
TM8X100C16MP11	CF/CM/CU36C	1.01	1.08	0.90
TM8X100C16MP11	CF/CM/CU36D	1.03	1.10	0.92
TM8X100C16MP11	CF/CM/CU42C	1.02	1.07	0.90
TM8X100C16MP11	CF/CM/CU42D	1.04	1.10	0.91
TM8X100C20MP11	CF/CM/CU30C	1.02	1.09	0.91
TM8X100C20MP11	CF/CM/CU30D	1.02	1.09	0.91
TM8X100C20MP11	CF/CM/CU36C	1.03	1.11	0.92
TM8X100C20MP11	CF/CM/CU36D	1.03	1.11	0.89
TM8X100C20MP11	CF/CM/CU42C	1.04	1.11	0.91
TM8X100C20MP11	CF/CM/CU42D	1.04	1.11	0.89
TM8X120C20MP11	CF/CM/CU30C	1.02	1.09	0.91
TM8X120C20MP11	CF/CM/CU30D	1.02	1.09	0.91
TM8X120C20MP11	CF/CM/CU36C	1.03	1.11	0.92
TM8X120C20MP11	CF/CM/CU36D	1.03	1.11	0.89
TM8X120C20MP11	CF/CM/CU42C	1.04	1.11	0.91
TM8X120C20MP11	CF/CM/CU42D	1.04	1.11	0.89
TM8Y060A12MP11	CF/CM/CU30A	0.96	1.00	0.91
TM8Y060A12MP11	CF/CM36A	0.97	1.02	0.92
TM8Y060A12MP11	XAF/XAUB30C	1.00	1.00	0.94
TM8Y060A12MP11	XAF/XAUB36D	1.01	0.98	0.93
TM8Y060A12MP11	XAFA30D	0.99	0.97	0.99
TM8Y060A12MP11	XAFB36E	1.01	0.98	0.93
TM8Y060A12MP11	XAHB30C	1.01	1.08	1.01
TM8Y060A12MP11	XAHB36D	1.00	0.97	0.94
TM8Y060A12MP11	XAHC42E	1.01	0.98	0.91
TM8Y080B12MP11	CF/CM/CU30B	1.00	1.07	0.94
TM8Y080B12MP11	CF/CM/CU36B	1.02	1.10	0.93
TM8Y080B12MP11	CF42B	1.01	1.06	0.91
TM8Y080B12MP11	XAF/XAUB30C	1.01	1.03	0.95
TM8Y080B12MP11	XAF/XAUB36D	1.01	1.01	0.94
TM8Y080B12MP11	XAF/XAUC42E	1.01	1.01	0.92
TM8Y080B12MP11	XAFB36E	1.01	1.00	0.94
TM8Y080B12MP11	XAFC30C	1.01	1.03	0.95
TM8Y080B12MP11	XAFC36D	1.01	1.01	0.94
TM8Y080B12MP11	XAHB30C	1.00	1.01	0.94
TM8Y080B12MP11	XAHB36D	1.01	0.99	0.93
TM8Y080B12MP11	XAHC30C	1.00	1.01	0.94
TM8Y080B12MP11	XAHC36D	1.01	1.01	0.94
TM8Y080B12MP11	XAHC42E	1.01	1.01	0.94
TM8Y080C16MP11	CF/CM/CU30C	1.00	1.07	0.91
TM8Y080C16MP11	CF/CM/CU30D	1.02	1.09	0.91
TM8Y080C16MP11	CF/CM/CU36C	1.01	1.08	0.90
TM8Y080C16MP11	CF/CM/CU36D	1.03	1.10	0.92
TM8Y080C16MP11	CF/CM/CU42C	1.02	1.07	0.90
TM8Y080C16MP11	CF/CM/CU42D	1.04	1.10	0.91
TM8Y080C16MP11	XAF/XAUC42E	1.02	1.01	0.93
TM8Y080C16MP11	XAFC30C	1.01	1.01	0.92
TM8Y080C16MP11	XAFC36D	1.02	1.01	0.93
TM8Y080C16MP11	XAFD42E	1.02	1.01	0.93
TM8Y080C16MP11	XAHC30C	1.01	1.01	0.92
TM8Y080C16MP11	XAHC36D	1.01	0.99	0.92
TM8Y080C16MP11	XAHC42E	1.02	1.00	0.93
TM8Y080C16MP11	XAHD42E	1.02	1.00	0.93
TM8Y100C16MP11	CF/CM/CU30C	1.00	1.07	0.91
TM8Y100C16MP11	CF/CM/CU30D	1.02	1.09	0.91

FURNACE MULTIPLIERS - 2.5 TON (Continued)

Furnaces	Coil	T.C.	S.C.	kW
TM8Y100C16MP11	CF/CM/CU36C	1.01	1.08	0.90
TM8Y100C16MP11	CF/CM/CU36D	1.03	1.10	0.92
TM8Y100C16MP11	CF/CM/CU42C	1.02	1.07	0.90
TM8Y100C16MP11	CF/CM/CU42D	1.04	1.10	0.91
TM8Y100C16MP11	XAF/XAUC42E	1.02	1.01	0.93
TM8Y100C16MP11	XAFC30C	1.01	1.01	0.92
TM8Y100C16MP11	XAFC36D	1.02	1.01	0.93
TM8Y100C16MP11	XAFD42E	1.02	1.01	0.93
TM8Y100C16MP11	XAHC30C	1.01	1.01	0.92
TM8Y100C16MP11	XAHC36D	1.01	0.99	0.92
TM8Y100C16MP11	XAHC42E	1.02	1.00	0.93
TM8Y100C16MP11	XAHD42E	1.02	1.00	0.93
TM8Y100C20MP11	CF/CM/CU30C	1.02	1.09	0.91
TM8Y100C20MP11	CF/CM/CU30D	1.02	1.09	0.91
TM8Y100C20MP11	CF/CM/CU36C	1.03	1.11	0.92
TM8Y100C20MP11	CF/CM/CU36D	1.03	1.11	0.89
TM8Y100C20MP11	CF/CM/CU42C	1.04	1.11	0.91
TM8Y100C20MP11	CF/CM/CU42D	1.04	1.11	0.89
TM8Y100C20MP11	XAF/XAUC42E	1.02	1.01	0.93
TM8Y100C20MP11	XAFC30C	1.01	1.03	0.92
TM8Y100C20MP11	XAFC36D	1.02	1.01	0.93
TM8Y100C20MP11	XAFD42E	1.02	1.01	0.93
TM8Y100C20MP11	XAHC30C	1.01	1.01	0.92
TM8Y100C20MP11	XAHC36D	1.01	0.99	0.92
TM8Y100C20MP11	XAHC42E	1.02	1.00	0.93
TM8Y100C20MP11	XAHD42E	1.02	1.01	0.93
TM8Y120C20MP11	CF/CM/CU30C	1.02	1.09	0.91
TM8Y120C20MP11	CF/CM/CU30D	1.02	1.09	0.91
TM8Y120C20MP11	CF/CM/CU36C	1.03	1.11	0.92
TM8Y120C20MP11	CF/CM/CU36D	1.03	1.11	0.89
TM8Y120C20MP11	CF/CM/CU42C	1.04	1.11	0.91
TM8Y120C20MP11	CF/CM/CU42D	1.04	1.11	0.89
TM8Y120C20MP11	XAF/XAUC42E	1.02	1.01	0.93
TM8Y120C20MP11	XAFC30C	1.01	1.03	0.92
TM8Y120C20MP11	XAFC36D	1.02	1.01	0.93
TM8Y120C20MP11	XAFD42E	1.02	1.01	0.93
TM8Y120C20MP11	XAHC30C	1.01	1.01	0.92
TM8Y120C20MP11	XAHC36D	1.01	0.99	0.92
TM8Y120C20MP11	XAHC42E	1.02	1.00	0.93
TM8Y120C20MP11	XAHD42E	1.02	1.01	0.93
TM9E026A08MP12	CF/CM/CU30B	0.97	1.00	0.97
TM9E026A08MP12	CF/CM/CU36B	0.98	1.02	0.98
TM9E026A08MP12	CF42B	0.99	1.00	0.97
TM9E040A10MP11	CF/CM/CU30A	0.96	1.01	0.98
TM9E040A10MP11	CF/CM36A	0.93	0.93	0.93
TM9E040A10MP12	CF/CM/CU30B	0.96	0.96	0.94
TM9E040A10MP12	CF/CM/CU36B	0.98	0.99	0.94
TM9E040A10MP12	CF/CM36A	0.97	0.97	0.95
TM9E040A10MP12	CF42B	0.99	0.98	0.96
TM9E060A10MP12	CF/CM/CU30B	0.97	0.98	0.94
TM9E060A10MP12	CF/CM/CU36B	0.99	1.01	0.93
TM9E060A10MP12	CF/CM36A	0.98	0.98	0.94
TM9E060A10MP12	CF42B	1.00	1.00	0.93
TM9E060A10MP12	XAF/XAUB30C	1.00	1.05	1.00
TM9E060A10MP12	XAF/XAUB36D	1.01	1.05	0.99

FURNACE MULTIPLIERS - 2.5 TON (Continued)

Furnaces	Coil	T.C.	S.C.	kW
TM9E060A10MP12	XAFA30D	0.99	1.02	1.01
TM9E060A10MP12	XAFB36E	1.00	0.96	0.94
TM9E060A10MP12	XAHB30C	1.00	1.05	0.96
TM9E060A10MP12	XAHB36D	1.01	1.03	1.01
TM9E060B12MP11	CF/CM/CU30B	0.99	1.00	0.92
TM9E060B12MP11	CF/CM/CU36B	0.99	1.03	0.91
TM9E060B12MP11	CF/CM/CU36C	1.00	1.05	0.91
TM9E060B12MP11	CF/CM/CU42C	1.01	1.03	0.92
TM9E060B12MP11	CF/CM30C	0.99	1.02	0.92
TM9E060B12MP11	CF42B	1.01	1.02	0.92
TM9E060B12MP12	CF/CM/CU30B	0.99	1.03	0.95
TM9E060B12MP12	CF/CM/CU36B	1.00	1.06	0.94
TM9E060B12MP12	CF/CM/CU36C	1.01	1.09	0.95
TM9E060B12MP12	CF/CM/CU42C	1.02	1.08	0.96
TM9E060B12MP12	CF/CM30C	0.99	1.05	0.93
TM9E060B12MP12	CF42B	1.01	1.06	0.96
TM9E060B12MP12	XAF/XAUB30C	1.01	1.07	1.01
TM9E060B12MP12	XAF/XAUB36D	1.01	0.99	0.96
TM9E060B12MP12	XAF/XAUC42E	1.01	1.00	0.95
TM9E060B12MP12	XAFB36E	1.01	0.99	0.96
TM9E060B12MP12	XAFC30C	1.01	1.07	1.01
TM9E060B12MP12	XAFC36D	1.01	0.99	0.95
TM9E060B12MP12	XAHB30C	1.01	1.06	0.96
TM9E060B12MP12	XAHB36D	1.00	0.97	0.94
TM9E060B12MP12	XAHC30C	1.01	1.07	1.01
TM9E060B12MP12	XAHC36D	1.00	0.98	0.94
TM9E060B12MP12	XAHC42E	1.01	0.99	0.95
TM9E080B12MP11	CF/CM/CU30B	1.00	1.07	0.93
TM9E080B12MP11	CF/CM/CU36B	1.02	1.10	0.93
TM9E080B12MP11	CF42B	1.03	1.09	0.94
TM9E080B12MP12	CF/CM/CU30B	0.96	0.95	0.91
TM9E080B12MP12	CF/CM/CU36B	0.99	0.98	0.91
TM9E080B12MP12	CF/CM/CU36C	0.99	0.99	0.91
TM9E080B12MP12	CF/CM/CU42C	1.00	0.99	0.91
TM9E080B12MP12	CF/CM30C	0.97	0.98	0.90
TM9E080B12MP12	CF42B	0.99	0.97	0.90
TM9E080B12MP12	XAF/XAUB30C	0.99	1.00	0.94
TM9E080B12MP12	XAF/XAUB36D	1.01	0.98	0.94
TM9E080B12MP12	XAF/XAUC42E	1.01	1.00	0.92
TM9E080B12MP12	XAFB36E	1.01	0.98	0.94
TM9E080B12MP12	XAFC30C	1.00	1.00	0.93
TM9E080B12MP12	XAFC36D	1.01	0.99	0.93
TM9E080B12MP12	XAHB30C	0.99	1.05	0.96
TM9E080B12MP12	XAHB36D	1.01	0.97	0.91
TM9E080B12MP12	XAHC30C	1.00	1.00	0.93
TM9E080B12MP12	XAHC36D	1.01	0.98	0.93
TM9E080B12MP12	XAHC42E	1.01	0.98	0.93
TM9E080C16MP11	CF/CM/CU36C	1.02	1.10	0.93
TM9E080C16MP11	CF/CM/CU42C	1.03	1.09	0.94
TM9E080C16MP11	CF/CM30C	1.02	1.09	0.93
TM9E080C16MP11	CF/CM36D	1.02	1.10	0.93
TM9E080C16MP11	CF/CM42D	1.03	1.09	0.92
TM9E080C16MP12	CF/CM/CU36C	1.00	1.04	0.91
TM9E080C16MP12	CF/CM/CU42C	1.01	1.03	0.92
TM9E080C16MP12	CF/CM30C	0.97	1.00	0.90

FURNACE MULTIPLIERS - 2.5 TON (Continued)

Furnaces	Coil	T.C.	S.C.	kW
TM9E080C16MP12	CF/CM36D	1.01	1.07	0.92
TM9E080C16MP12	CF/CM42D	1.02	1.05	0.93
TM9E080C16MP12	XAF/XAUC42E	1.01	0.96	0.92
TM9E080C16MP12	XAFC30C	1.00	1.07	0.93
TM9E080C16MP12	XAFC36D	1.00	0.95	0.93
TM9E080C16MP12	XAFD42E	1.01	0.96	0.92
TM9E080C16MP12	XAHC30C	1.00	1.06	0.93
TM9E080C16MP12	XAHC36D	1.03	1.04	0.95
TM9E080C16MP12	XAHC42E	1.01	0.95	0.92
TM9E080C16MP12	XAHD42E	1.01	0.96	0.92
TM9E080C20MP12	XAF/XAUC42E	1.04	1.11	0.95
TM9E080C20MP12	XAFC30C	1.03	1.12	0.95
TM9E080C20MP12	XAFC36D	1.04	1.10	0.95
TM9E080C20MP12	XAFD42E	1.04	1.12	0.95
TM9E080C20MP12	XAHC30C	1.03	1.12	0.95
TM9E080C20MP12	XAHC36D	1.04	1.10	0.94
TM9E080C20MP12	XAHC42E	1.04	1.10	0.95
TM9E080C20MP12	XAHD42E	1.04	1.11	0.95
TM9E100C16MP11	CF/CM/CU30C	1.01	1.08	0.92
TM9E100C16MP11	CF/CM/CU30D	1.01	1.08	0.92
TM9E100C16MP11	CF/CM/CU36C	1.02	1.10	0.93
TM9E100C16MP11	CF/CM/CU36D	1.03	1.11	0.94
TM9E100C16MP11	CF/CM/CU42C	1.03	1.09	0.94
TM9E100C16MP11	CF/CM/CU42D	1.04	1.11	0.93
TM9E100C16MP12	CF/CM/CU36C	1.01	1.07	0.92
TM9E100C16MP12	CF/CM/CU42C	1.03	1.08	0.94
TM9E100C16MP12	CF/CM30C	0.99	1.03	0.92
TM9E100C16MP12	CF/CM36D	1.01	1.09	0.92
TM9E100C16MP12	CF/CM42D	1.00	0.98	0.91
TM9E100C16MP12	XAF/XAUC42E	1.02	0.99	0.93
TM9E100C16MP12	XAFC30C	0.99	0.99	0.92
TM9E100C16MP12	XAFC36D	1.01	0.98	0.92
TM9E100C16MP12	XAFD42E	1.01	0.99	0.92
TM9E100C16MP12	XAHC30C	0.99	0.99	0.92
TM9E100C16MP12	XAHC36D	1.01	0.97	0.92
TM9E100C16MP12	XAHC42E	1.01	0.97	0.92
TM9E100C16MP12	XAHD42E	1.01	0.97	0.92
TM9E100C20MP12	XAF/XAUC42E	1.04	1.11	0.95
TM9E100C20MP12	XAFC30C	1.03	1.11	0.95
TM9E100C20MP12	XAFC36D	1.04	1.10	0.95
TM9E100C20MP12	XAFD42E	1.04	1.11	0.95
TM9E100C20MP12	XAHC30C	1.03	1.11	0.95
TM9E100C20MP12	XAHC36D	1.04	1.10	0.95
TM9E100C20MP12	XAHC42E	1.04	1.10	0.95
TM9E100C20MP12	XAHD42E	1.04	1.10	0.95
TM9E120D20MP11	CF/CM/CU30D	1.01	1.08	0.90
TM9E120D20MP11	CF/CM/CU36D	1.01	1.08	0.89
TM9E120D20MP11	CF/CM/CU42D	1.02	1.07	0.88
TM9E120D20MP12	XAFD42E	1.04	1.12	0.95
TM9E120D20MP12	XAHD42E	1.04	1.11	0.95
TM9V040A10MP12C	CF/CM/CU30A	0.97	0.96	0.95
TM9V040A10MP12C	CF/CM/CU30B	0.97	0.95	0.94
TM9V040A10MP12C	CF/CM/CU36B	0.98	0.98	0.94
TM9V040A10MP12C	CF/CM36A	0.97	0.97	0.95
TM9V040A10MP12C	CF42B	0.99	0.97	0.95

FURNACE MULTIPLIERS - 2.5 TON (Continued)

Furnaces	Coil	T.C.	S.C.	kW
TM9V040A10MP12C	XAF/XAUB36D	1.00	1.01	1.00
TM9V040A10MP12C	XAFB36E	1.00	0.99	0.98
TM9V060B12MP12C	CF/CM/CU30B	0.98	0.96	0.92
TM9V060B12MP12C	CF/CM/CU36B	0.98	0.98	0.91
TM9V060B12MP12C	CF/CM/CU36C	0.99	0.99	0.91
TM9V060B12MP12C	CF/CM/CU42C	0.99	0.97	0.90
TM9V060B12MP12C	CF/CM30C	0.98	0.96	0.92
TM9V060B12MP12C	CF42B	0.99	0.97	0.90
TM9V060B12MP12C	XAF/XAUB30C	1.01	1.04	0.99
TM9V060B12MP12C	XAF/XAUB36D	1.01	0.97	0.95
TM9V060B12MP12C	XAF/XAUC42E	1.00	0.97	0.91
TM9V060B12MP12C	XAFB36E	1.01	0.97	0.95
TM9V060B12MP12C	XAFC30C	1.00	1.04	0.98
TM9V060B12MP12C	XAFC36D	1.00	0.97	0.94
TM9V060B12MP12C	XAHB30C	1.01	1.05	1.01
TM9V060B12MP12C	XAHB36D	1.01	0.97	0.95
TM9V060B12MP12C	XAHC30C	1.00	1.04	0.98
TM9V060B12MP12C	XAHC36D	1.00	0.97	0.94
TM9V060B12MP12C	XAHC42E	1.00	0.97	0.94
TM9V080B12MP12C	CF/CM/CU30B	1.00	1.07	0.94
TM9V080B12MP12C	CF/CM/CU36B	1.02	1.10	0.95
TM9V080B12MP12C	CF42B	1.02	1.09	0.91
TM9V080B12MP12C	XAF/XAUB30C	1.01	1.03	0.96
TM9V080B12MP12C	XAF/XAUB36D	1.01	0.96	0.93
TM9V080B12MP12C	XAF/XAUC42E	1.01	0.97	0.92
TM9V080B12MP12C	XAFB36E	1.01	0.96	0.93
TM9V080B12MP12C	XAFC30C	1.00	1.03	0.94
TM9V080B12MP12C	XAFC36D	1.00	0.96	0.89
TM9V080B12MP12C	XAHB30C	1.01	1.02	0.92
TM9V080B12MP12C	XAHB36D	1.01	0.97	0.91
TM9V080B12MP12C	XAHC30C	0.99	1.02	0.94
TM9V080B12MP12C	XAHC36D	1.00	0.96	0.93
TM9V080B12MP12C	XAHC42E	1.01	0.97	0.93
TM9V080C16MP12C	CF/CM/CU36C	1.01	1.09	0.92
TM9V080C16MP12C	CF/CM/CU42C	1.03	1.08	0.92
TM9V080C16MP12C	CF/CM30C	0.99	1.06	0.92
TM9V080C16MP12C	CF/CM36D	1.00	1.07	0.91
TM9V080C16MP12C	CF/CM42D	1.01	1.07	0.91
TM9V080C16MP12C	XAF/XAUC42E	1.02	1.01	0.93
TM9V080C16MP12C	XAFC30C	1.01	1.02	0.94
TM9V080C16MP12C	XAFC36D	1.02	1.01	0.90
TM9V080C16MP12C	XAFD42E	1.01	1.01	0.92
TM9V080C16MP12C	XAHC30C	1.01	1.02	0.94
TM9V080C16MP12C	XAHC36D	1.02	1.01	0.95
TM9V080C16MP12C	XAHC42E	1.02	1.01	0.95
TM9V080C16MP12C	XAHD42E	1.01	1.01	0.92
TM9V100C16MP12C	CF/CM/CU30C	1.01	1.08	0.92
TM9V100C16MP12C	CF/CM/CU30D	1.02	1.09	0.91
TM9V100C16MP12C	CF/CM/CU36C	1.03	1.11	0.92
TM9V100C16MP12C	CF/CM/CU36D	1.03	1.10	0.90
TM9V100C16MP12C	CF/CM/CU42C	1.04	1.11	0.91
TM9V100C16MP12C	CF/CM/CU42D	1.04	1.10	0.91
TM9V100C16MP12C	XAF/XAUC42E	1.02	0.99	0.93
TM9V100C16MP12C	XAFC30C	1.01	0.99	0.93
TM9V100C16MP12C	XAFC36D	1.01	0.98	0.92

FURNACE MULTIPLIERS - 2.5 TON (Continued)

Furnaces	Coil	T.C.	S.C.	kW
TM9V100C16MP12C	XAFD42E	1.01	0.99	0.92
TM9V100C16MP12C	XAHC30C	1.01	0.99	0.93
TM9V100C16MP12C	XAHC36D	1.01	0.98	0.92
TM9V100C16MP12C	XAHC42E	1.02	0.99	0.93
TM9V100C16MP12C	XAHD42E	1.01	0.99	0.92
TM9V100C20MP12C	CF/CM/CU42C	1.04	1.16	0.94
TM9V100C20MP12C	CF/CM/CU42D	1.04	1.16	0.94
TM9V100C20MP12C	XAF/XAUC42E	1.04	1.09	0.97
TM9V100C20MP12C	XAFC30C	1.02	1.09	0.96
TM9V100C20MP12C	XAFC36D	1.03	1.07	0.95
TM9V100C20MP12C	XAFD42E	1.04	1.09	0.93
TM9V100C20MP12C	XAHC30C	1.01	1.08	0.96
TM9V100C20MP12C	XAHC36D	1.04	1.09	0.98
TM9V100C20MP12C	XAHC42E	1.04	1.10	0.97
TM9V100C20MP12C	XAHD42E	1.04	1.09	0.96
TM9V120D20MP12C	CF/CM/CU36D	1.03	1.15	0.92
TM9V120D20MP12C	CF/CM/CU42D	1.04	1.14	0.92
TM9V120D20MP12C	XAFD42E	1.04	1.06	0.90
TM9V120D20MP12C	XAHD42E	1.04	1.06	0.95
TM9Y040A10MP11	CF/CM/CU30A	0.96	1.01	0.98
TM9Y040A10MP11	CF/CM36A	0.93	0.93	0.93
TM9Y060B12MP11	CF/CM/CU30B	0.99	1.00	0.92
TM9Y060B12MP11	CF/CM/CU36B	0.99	1.03	0.91
TM9Y060B12MP11	CF/CM/CU36C	1.00	1.05	0.91
TM9Y060B12MP11	CF/CM/CU42C	1.01	1.03	0.92
TM9Y060B12MP11	CF/CM30C	0.99	1.02	0.92
TM9Y060B12MP11	CF42B	1.01	1.02	0.92
TM9Y060B12MP11	XAF/XAUB30C	1.00	1.02	0.96
TM9Y060B12MP11	XAF/XAUB36D	1.01	1.00	0.95
TM9Y060B12MP11	XAF/XAUC42E	1.00	0.96	0.94
TM9Y060B12MP11	XAFB36E	1.01	1.00	0.95
TM9Y060B12MP11	XAFC30C	1.00	1.02	0.94
TM9Y060B12MP11	XAFC36D	1.00	0.96	0.94
TM9Y060B12MP11	XAHB30C	1.01	1.09	1.03
TM9Y060B12MP11	XAHB36D	1.00	0.98	0.94
TM9Y060B12MP11	XAHC30C	1.00	1.02	0.94
TM9Y060B12MP11	XAHC36D	1.01	1.00	0.95
TM9Y060B12MP11	XAHC42E	1.01	1.00	0.95
TM9Y080B12MP11	CF/CM/CU30B	1.00	1.07	0.93
TM9Y080B12MP11	CF/CM/CU36B	1.02	1.10	0.93
TM9Y080B12MP11	CF42B	1.03	1.09	0.94
TM9Y080B12MP11	XAF/XAUB30C	1.00	1.02	0.94
TM9Y080B12MP11	XAF/XAUB36D	1.00	0.97	0.93
TM9Y080B12MP11	XAF/XAUC42E	1.01	0.97	0.92
TM9Y080B12MP11	XAFB36E	1.00	0.96	0.93
TM9Y080B12MP11	XAFC30C	1.00	1.02	0.94
TM9Y080B12MP11	XAFC36D	1.00	0.97	0.93
TM9Y080B12MP11	XAHB30C	1.00	1.02	0.94
TM9Y080B12MP11	XAHB36D	1.00	0.96	0.93
TM9Y080B12MP11	XAHC30C	1.00	1.02	0.94
TM9Y080B12MP11	XAHC36D	1.00	0.97	0.93
TM9Y080B12MP11	XAHC42E	1.00	0.96	0.93
TM9Y080C16MP11	CF/CM/CU36C	1.02	1.10	0.93
TM9Y080C16MP11	CF/CM/CU42C	1.03	1.09	0.94
TM9Y080C16MP11	CF/CM30C	1.02	1.09	0.93

FURNACE MULTIPLIERS - 2.5 TON (Continued)

Furnaces	Coil	T.C.	S.C.	kW
TM9Y080C16MP11	CF/CM36D	1.02	1.10	0.93
TM9Y080C16MP11	CF/CM42D	1.03	1.09	0.92
TM9Y080C16MP11	XAF/XAUC42E	1.01	1.00	0.92
TM9Y080C16MP11	XAFC30C	1.01	1.02	0.93
TM9Y080C16MP11	XAFC36D	1.01	1.00	0.94
TM9Y080C16MP11	XAFD42E	1.02	1.01	0.93
TM9Y080C16MP11	XAHC30C	1.01	1.02	0.93
TM9Y080C16MP11	XAHC36D	1.01	1.00	0.94
TM9Y080C16MP11	XAHC42E	1.01	1.00	0.92
TM9Y080C16MP11	XAHD42E	1.01	1.00	0.92
TM9Y100C16MP11	CF/CM/CU30C	1.01	1.08	0.92
TM9Y100C16MP11	CF/CM/CU30D	1.01	1.08	0.92
TM9Y100C16MP11	CF/CM/CU36C	1.02	1.10	0.93
TM9Y100C16MP11	CF/CM/CU36D	1.03	1.11	0.94
TM9Y100C16MP11	CF/CM/CU42C	1.03	1.09	0.94
TM9Y100C16MP11	CF/CM/CU42D	1.04	1.11	0.93
TM9Y100C16MP11	XAF/XAUC42E	1.01	1.00	0.92
TM9Y100C16MP11	XAFC30C	1.01	1.01	0.93
TM9Y100C16MP11	XAFC36D	1.01	1.00	0.92
TM9Y100C16MP11	XAFD42E	1.01	1.00	0.92
TM9Y100C16MP11	XAHC30C	1.00	1.00	0.93
TM9Y100C16MP11	XAHC36D	1.01	1.00	0.92
TM9Y100C16MP11	XAHC42E	1.01	0.99	0.92
TM9Y100C16MP11	XAHD42E	1.01	1.00	0.92
TM9Y100C20MP11	XAF/XAUC42E	1.04	1.10	0.97
TM9Y100C20MP11	XAFC30C	1.02	1.10	0.96
TM9Y100C20MP11	XAFC36D	1.04	1.09	0.96
TM9Y100C20MP11	XAFD42E	1.04	1.10	0.93
TM9Y100C20MP11	XAHC30C	1.02	1.10	0.96
TM9Y100C20MP11	XAHC36D	1.03	1.07	0.95
TM9Y100C20MP11	XAHC42E	1.04	1.09	0.96
TM9Y100C20MP11	XAHD42E	1.04	1.10	0.97
TM9Y120D20MP11	CF/CM/CU30D	1.01	1.08	0.90
TM9Y120D20MP11	CF/CM/CU36D	1.01	1.08	0.89
TM9Y120D20MP11	CF/CM/CU42D	1.02	1.07	0.88
TM9Y120D20MP11	XAFD42E	1.01	0.98	0.92
TM9Y120D20MP11	XAHD42E	1.01	0.98	0.92
TMLE040A12MP11	CF/CM36A	0.99	1.00	0.93
TMLE040A12MP11	XAF/XAUB30C	1.00	1.06	0.93
TMLE040A12MP11	XAF/XAUB36D	1.00	0.95	0.93
TMLE040A12MP11	XAFA30D	0.99	1.02	0.99
TMLE040A12MP11	XAFB36E	1.00	0.95	0.93
TMLE040A12MP11	XAHB30C	1.00	1.04	0.94
TMLE040A12MP11	XAHB36D	1.01	1.02	0.96
TMLE040A12MP11	XAHC42E	1.00	0.95	0.89
TMLE060A12MP11	CF/CM36A	0.99	1.00	0.93
TMLE060A12MP11	XAF/XAUB30C	1.00	1.06	0.93
TMLE060A12MP11	XAF/XAUB36D	0.99	0.95	0.92
TMLE060A12MP11	XAFA30D	0.99	1.00	0.99
TMLE060A12MP11	XAFB36E	1.00	0.96	0.91
TMLE060A12MP11	XAHB30C	1.00	1.04	0.94
TMLE060A12MP11	XAHB36D	1.01	1.02	0.96
TMLE060A12MP11	XAHC42E	1.01	0.96	0.89
TMLE080B12MP11	XAF/XAUB30C	1.01	0.99	0.95
TMLE080B12MP11	XAF/XAUB36D	1.01	0.97	0.94

FURNACE MULTIPLIERS - 2.5 TON (Continued)

Furnaces	Coil	T.C.	S.C.	kW
TMLE080B12MP11	XAF/XAUC42E	1.01	0.97	0.92
TMLE080B12MP11	XAFB36E	1.01	0.96	0.92
TMLE080B12MP11	XAFC30C	1.00	0.99	0.94
TMLE080B12MP11	XAFC36D	1.00	0.97	0.93
TMLE080B12MP11	XAHB30C	1.01	1.04	0.96
TMLE080B12MP11	XAHB36D	1.00	0.96	0.93
TMLE080B12MP11	XAHC30C	1.01	1.06	0.96
TMLE080B12MP11	XAHC36D	1.00	0.97	0.93
TMLE080B12MP11	XAHC42E	1.00	0.96	0.91
TMLE080C16MP11	XAF/XAUC42E	1.02	0.99	0.93
TMLE080C16MP11	XAFC30C	1.00	1.00	0.91
TMLE080C16MP11	XAFC36D	1.01	0.98	0.92
TMLE080C16MP11	XAFD42E	1.01	0.98	0.92
TMLE080C16MP11	XAHC30C	1.00	0.99	0.91
TMLE080C16MP11	XAHC36D	1.00	0.97	0.91
TMLE080C16MP11	XAHC42E	1.01	0.97	0.92
TMLE080C16MP11	XAHD42E	1.01	0.99	0.92
TMLE080C20MP11	XAF/XAUC42E	1.04	1.12	0.95
TMLE080C20MP11	XAFC36D	1.04	1.11	0.95
TMLE080C20MP11	XAHC30C	1.03	1.12	0.95
TMLE080C20MP11	XAHC36D	1.04	1.10	0.95
TMLE080C20MP11	XAHC42E	1.04	1.11	0.95
TMLE080C20MP11	XAHD42E	1.04	1.12	0.95
TMLE100B12MP11	XAF/XAUB30C	0.98	0.99	0.91
TMLE100B12MP11	XAF/XAUB36D	1.00	0.97	0.91
TMLE100B12MP11	XAF/XAUC42E	1.01	0.97	0.92
TMLE100B12MP11	XAFB36E	1.01	0.97	0.92
TMLE100B12MP11	XAFC30C	0.98	0.99	0.91
TMLE100B12MP11	XAFC36D	1.01	0.97	0.93
TMLE100B12MP11	XAHB30C	1.00	1.06	0.94
TMLE100B12MP11	XAHB36D	1.00	0.96	0.93
TMLE100B12MP11	XAHC30C	0.98	0.99	0.91
TMLE100B12MP11	XAHC36D	1.01	0.97	0.93
TMLE100B12MP11	XAHC42E	1.01	0.97	0.92
TMLE100C16MP11	XAF/XAUC42E	1.01	0.97	0.92
TMLE100C16MP11	XAFC30C	1.00	0.99	0.91
TMLE100C16MP11	XAFC36D	1.01	0.97	0.92
TMLE100C16MP11	XAFD42E	1.01	0.98	0.92
TMLE100C16MP11	XAHC30C	1.00	0.99	0.91
TMLE100C16MP11	XAHC36D	1.01	0.97	0.92
TMLE100C16MP11	XAHC42E	1.01	0.97	0.92
TMLE100C16MP11	XAHD42E	1.01	0.97	0.92
TMLE100C20MP11	XAF/XAUC42E	1.04	1.12	0.95
TMLE100C20MP11	XAFC36D	1.04	1.11	0.95
TMLE100C20MP11	XAHC30C	1.03	1.12	0.95
TMLE100C20MP11	XAHC36D	1.04	1.10	0.97
TMLE100C20MP11	XAHC42E	1.04	1.11	0.95
TMLE100C20MP11	XAHD42E	1.04	1.12	0.95
TMLE120C16MP11	XAF/XAUC42E	1.02	0.98	0.93
TMLE120C16MP11	XAFC30C	1.00	1.00	0.91
TMLE120C16MP11	XAFC36D	1.01	0.98	0.92
TMLE120C16MP11	XAFD42E	1.01	0.98	0.92
TMLE120C16MP11	XAHC30C	1.00	0.99	0.91
TMLE120C16MP11	XAHC36D	1.01	0.97	0.92
TMLE120C16MP11	XAHC42E	1.01	0.97	0.92

FURNACE MULTIPLIERS - 2.5 TON (Continued)

Furnaces	Coil	T.C.	S.C.	kW
TMLV060A12MP12C	CF/CM/CU30A	0.97	1.01	0.95
TMLV060A12MP12C	CF/CM/CU36A	0.99	0.99	0.93
TMLV060A12MP12C	XAF/XAUB30C	1.00	0.99	0.94
TMLV060A12MP12C	XAF/XAUB36D	1.01	0.97	0.93
TMLV060A12MP12C	XAFA30D	0.99	0.97	0.99
TMLV060A12MP12C	XAFB36E	1.01	0.97	0.93
TMLV060A12MP12C	XAHB30C	1.00	1.02	0.94
TMLV060A12MP12C	XAHB36D	1.00	0.97	0.94
TMLV060A12MP12C	XAHC42E	1.01	0.97	0.90
TMLV080B12MP12C	CF/CM/CU30B	0.98	1.03	0.94
TMLV080B12MP12C	CF/CM/CU36B	0.98	1.03	0.92
TMLV080B12MP12C	CF42B	0.99	1.02	0.92
TMLV080C16MP12C	CF/CM/CU30C	1.00	1.07	0.93
TMLV080C16MP12C	CF/CM/CU30D	1.00	1.07	0.91
TMLV080C16MP12C	CF/CM/CU36C	1.02	1.14	0.93
TMLV080C16MP12C	CF/CM/CU36D	1.02	1.14	0.91
TMLV080C16MP12C	CF/CM/CU42C	1.04	1.14	0.93
TMLV080C16MP12C	CF/CM/CU42D	1.04	1.14	0.93
TMLV100C16MP12C	CF/CM/CU30C	1.00	1.07	0.93
TMLV100C16MP12C	CF/CM/CU30D	1.00	1.07	0.91
TMLV100C16MP12C	CF/CM/CU36C	1.02	1.14	0.93
TMLV100C16MP12C	CF/CM/CU36D	1.02	1.14	0.91
TMLV100C16MP12C	CF/CM/CU42C	1.04	1.14	0.93
TMLV100C16MP12C	CF/CM/CU42D	1.04	1.14	0.93
TMLV100C16MP12C	XAF/XAUC42E	1.01	0.97	0.92
TMLV100C16MP12C	XAFC30C	1.00	0.98	0.93
TMLV100C16MP12C	XAFC36D	1.01	0.97	0.92
TMLV100C16MP12C	XAFD42E	1.01	0.97	0.92
TMLV100C16MP12C	XAHC30C	1.01	1.02	0.94
TMLV100C16MP12C	XAHC36D	1.01	0.97	0.92
TMLV100C16MP12C	XAHC42E	1.01	0.97	0.92
TMLV100C16MP12C	XAHD42E	1.01	0.97	0.92
TMLV120C20MP12C	XAF/XAUC42E	1.04	1.10	0.95
TMLV120C20MP12C	XAFC30C	1.03	1.10	0.94
TMLV120C20MP12C	XAFC36D	1.04	1.10	0.95
TMLV120C20MP12C	XAFD42E	1.04	1.10	0.95
TMLV120C20MP12C	XAHC30C	1.03	1.10	0.95
TMLV120C20MP12C	XAHC36D	1.04	1.09	0.94
TMLV120C20MP12C	XAHC42E	1.04	1.10	0.95
TMLV120C20MP12C	XAHD42E	1.04	1.10	0.95
TMLX060A12MP11	CF/CM/CU30A	0.96	1.00	0.91
TMLX060A12MP11	CF/CM/CU36A	0.97	1.02	0.92
TMLX080B12MP11	CF/CM/CU30B	1.00	1.07	0.94
TMLX080B12MP11	CF/CM/CU36B	1.02	1.10	0.93
TMLX080B12MP11	CF42B	1.01	1.06	0.91
TMLX080C16MP11	CF/CM/CU30C	1.00	1.07	0.91
TMLX080C16MP11	CF/CM/CU30D	1.02	1.09	0.91
TMLX080C16MP11	CF/CM/CU36C	1.01	1.08	0.90
TMLX080C16MP11	CF/CM/CU36D	1.03	1.10	0.92
TMLX080C16MP11	CF/CM/CU42C	1.02	1.07	0.90
TMLX080C16MP11	CF/CM/CU42D	1.04	1.10	0.91
TMLX100C16MP11	CF/CM/CU30C	1.00	1.07	0.91
TMLX100C16MP11	CF/CM/CU30D	1.02	1.09	0.91
TMLX100C16MP11	CF/CM/CU36C	1.01	1.08	0.90

FURNACE MULTIPLIERS - 2.5 TON (Continued)

Furnaces	Coil	T.C.	S.C.	kW
TMLX100C16MP11	CF/CM/CU36D	1.03	1.10	0.92
TMLX100C16MP11	CF/CM/CU42C	1.02	1.07	0.90
TMLX100C16MP11	CF/CM/CU42D	1.04	1.10	0.91
TMLX100C20MP11	CF/CM/CU30C	1.02	1.09	0.91
TMLX100C20MP11	CF/CM/CU30D	1.02	1.09	0.91
TMLX100C20MP11	CF/CM/CU36C	1.03	1.11	0.92
TMLX100C20MP11	CF/CM/CU36D	1.03	1.11	0.89
TMLX100C20MP11	CF/CM/CU42C	1.04	1.11	0.91
TMLX100C20MP11	CF/CM/CU42D	1.04	1.11	0.89
TMLX120C20MP11	CF/CM/CU30C	1.02	1.09	0.91
TMLX120C20MP11	CF/CM/CU30D	1.02	1.09	0.91
TMLX120C20MP11	CF/CM/CU36C	1.03	1.11	0.92
TMLX120C20MP11	CF/CM/CU36D	1.03	1.11	0.89
TMLX120C20MP11	CF/CM/CU42C	1.04	1.11	0.91
TMLX120C20MP11	CF/CM/CU42D	1.04	1.11	0.89
TP9C060B12MP13C	CF/CM/CU30B	0.98	0.96	0.92
TP9C060B12MP13C	CF/CM/CU36B	0.98	0.98	0.91
TP9C060B12MP13C	CF/CM/CU36C	0.99	0.99	0.91
TP9C060B12MP13C	CF/CM/CU42C	0.99	0.97	0.90
TP9C060B12MP13C	CF/CM30C	0.98	0.96	0.92
TP9C060B12MP13C	CF42B	0.99	0.97	0.90
TP9C060B12MP13C	XAF/XAUB30C	1.01	1.04	0.99
TP9C060B12MP13C	XAF/XAUB36D	1.01	0.97	0.95
TP9C060B12MP13C	XAF/XAUC42E	1.00	0.97	0.91
TP9C060B12MP13C	XAFB36E	1.01	0.97	0.95
TP9C060B12MP13C	XAFC30C	1.00	1.04	0.98
TP9C060B12MP13C	XAFC36D	1.00	0.97	0.94
TP9C060B12MP13C	XAHB30C	1.01	1.05	1.01
TP9C060B12MP13C	XAHB36D	1.01	0.97	0.95
TP9C060B12MP13C	XAHC30C	1.00	1.04	0.98
TP9C060B12MP13C	XAHC36D	1.00	0.97	0.94
TP9C060B12MP13C	XAHC42E	1.00	0.97	0.94
TP9C080B12MP13C	CF/CM/CU30B	1.00	1.07	0.94
TP9C080B12MP13C	CF/CM/CU36B	1.02	1.10	0.95
TP9C080B12MP13C	CF42B	1.02	1.09	0.91
TP9C080B12MP13C	XAF/XAUB30C	1.01	1.03	0.96
TP9C080B12MP13C	XAF/XAUB36D	1.01	0.96	0.93
TP9C080B12MP13C	XAF/XAUC42E	1.01	0.97	0.92
TP9C080B12MP13C	XAFB36E	1.01	0.96	0.93
TP9C080B12MP13C	XAFC30C	1.00	1.03	0.94
TP9C080B12MP13C	XAFC36D	1.00	0.96	0.89
TP9C080B12MP13C	XAHB30C	1.01	1.02	0.92
TP9C080B12MP13C	XAHB36D	1.01	0.97	0.91
TP9C080B12MP13C	XAHC30C	0.99	1.02	0.94
TP9C080B12MP13C	XAHC36D	1.00	0.96	0.93
TP9C080B12MP13C	XAHC42E	1.01	0.97	0.93
TP9C080C16MP13C	CF/CM/CU36C	1.01	1.09	0.92
TP9C080C16MP13C	CF/CM/CU42C	1.03	1.08	0.92
TP9C080C16MP13C	CF/CM30C	0.99	1.06	0.92
TP9C080C16MP13C	CF/CM36D	1.00	1.07	0.91
TP9C080C16MP13C	CF/CM42D	1.01	1.07	0.91
TP9C080C16MP13C	XAF/XAUC42E	1.02	1.01	0.93
TP9C080C16MP13C	XAFC30C	1.01	1.02	0.94
TP9C080C16MP13C	XAFC36D	1.02	1.01	0.90
TP9C080C16MP13C	XAFD42E	1.01	1.01	0.92

FURNACE MULTIPLIERS - 2.5 TON (Continued)

Furnaces	Coil	T.C.	S.C.	kW
TP9C080C16MP13C	XAHC30C	1.01	1.02	0.94
TP9C080C16MP13C	XAHC36D	1.02	1.01	0.95
TP9C080C16MP13C	XAHC42E	1.02	1.01	0.95
TP9C080C16MP13C	XAHD42E	1.01	1.01	0.92
TP9C100C16MP13C	CF/CM/CU30C	1.01	1.08	0.92
TP9C100C16MP13C	CF/CM/CU30D	1.02	1.09	0.91
TP9C100C16MP13C	CF/CM/CU36C	1.03	1.11	0.92
TP9C100C16MP13C	CF/CM/CU36D	1.03	1.10	0.90
TP9C100C16MP13C	CF/CM/CU42C	1.04	1.11	0.91
TP9C100C16MP13C	CF/CM/CU42D	1.04	1.10	0.91
TP9C100C16MP13C	XAF/XAUC42E	1.02	0.99	0.93
TP9C100C16MP13C	XAFC30C	1.01	0.99	0.93
TP9C100C16MP13C	XAFC36D	1.01	0.98	0.92
TP9C100C16MP13C	XAFD42E	1.01	0.99	0.92
TP9C100C16MP13C	XAHC30C	1.01	0.99	0.93
TP9C100C16MP13C	XAHC36D	1.01	0.98	0.92
TP9C100C16MP13C	XAHC42E	1.02	0.99	0.93
TP9C100C16MP13C	XAHD42E	1.01	0.99	0.92
TP9C100C20MP13C	CF/CM/CU42C	1.04	1.16	0.94
TP9C100C20MP13C	CF/CM/CU42D	1.04	1.16	0.94
TP9C100C20MP13C	XAF/XAUC42E	1.04	1.09	0.97
TP9C100C20MP13C	XAFC30C	1.02	1.09	0.96
TP9C100C20MP13C	XAFC36D	1.03	1.07	0.95
TP9C100C20MP13C	XAFD42E	1.04	1.09	0.93
TP9C100C20MP13C	XAHC30C	1.01	1.08	0.96
TP9C100C20MP13C	XAHC36D	1.04	1.09	0.98
TP9C100C20MP13C	XAHC42E	1.04	1.10	0.97
TP9C100C20MP13C	XAHD42E	1.04	1.09	0.96
TP9C120D20MP13C	CF/CM/CU36D	1.03	1.15	0.92
TP9C120D20MP13C	CF/CM/CU42D	1.04	1.14	0.92
TP9C120D20MP13C	XAFD42E	1.04	1.06	0.90
TP9C120D20MP13C	XAHD42E	1.04	1.06	0.95
TPLC060A12MP13C	CF/CM/CU30A	0.97	1.01	0.95
TPLC060A12MP13C	CF/CM36A	0.99	0.99	0.93
TPLC060A12MP13C	XAF/XAUB30C	1.00	0.99	0.94
TPLC060A12MP13C	XAF/XAUB36D	1.01	0.97	0.93
TPLC060A12MP13C	XAFA30D	0.99	0.97	0.99
TPLC060A12MP13C	XAFB36E	1.01	0.97	0.93
TPLC060A12MP13C	XAHB30C	1.00	1.02	0.94
TPLC060A12MP13C	XAHB36D	1.00	0.97	0.94
TPLC060A12MP13C	XAHC42E	1.01	0.97	0.90
TPLC080B12MP13C	CF/CM/CU30B	0.98	1.03	0.94
TPLC080B12MP13C	CF/CM/CU36B	0.98	1.03	0.92
TPLC080B12MP13C	CF42B	0.99	1.02	0.92
TPLC080B12MP13C	XAF/XAUB30C	1.01	1.04	0.99
TPLC080B12MP13C	XAF/XAUB36D	1.01	0.98	0.95
TPLC080B12MP13C	XAF/XAUC42E	1.01	0.99	0.95
TPLC080B12MP13C	XAFB36E	1.01	0.99	0.96
TPLC080B12MP13C	XAFC30C	1.00	1.04	0.98
TPLC080B12MP13C	XAFC36D	1.00	0.98	0.94
TPLC080B12MP13C	XAHB30C	1.01	1.04	0.95
TPLC080B12MP13C	XAHB36D	1.01	0.98	0.97
TPLC080B12MP13C	XAHC30C	1.00	1.04	1.00
TPLC080B12MP13C	XAHC36D	1.00	0.98	0.94
TPLC080B12MP13C	XAHC42E	1.01	0.99	0.95

FURNACE MULTIPLIERS - 2.5 TON (Continued)

Furnaces	Coil	T.C.	S.C.	kW
TPLC080C16MP13C	CF/CM/CU30C	1.00	1.07	0.93
TPLC080C16MP13C	CF/CM/CU30D	1.00	1.07	0.91
TPLC080C16MP13C	CF/CM/CU36C	1.02	1.14	0.93
TPLC080C16MP13C	CF/CM/CU36D	1.02	1.14	0.91
TPLC080C16MP13C	CF/CM/CU42C	1.04	1.14	0.93
TPLC080C16MP13C	CF/CM/CU42D	1.04	1.14	0.93
TPLC080C16MP13C	XAF/XAUC42E	1.01	0.97	0.92
TPLC080C16MP13C	XAFC30C	1.00	0.98	0.93
TPLC080C16MP13C	XAFC36D	1.01	0.97	0.92
TPLC080C16MP13C	XAFD42E	1.01	0.97	0.92
TPLC080C16MP13C	XAHC30C	1.01	1.02	0.94
TPLC080C16MP13C	XAHC36D	1.01	0.97	0.92
TPLC080C16MP13C	XAHC42E	1.01	0.97	0.92
TPLC080C16MP13C	XAHD42E	1.01	0.97	0.92
TPLC100C16MP13C	CF/CM/CU30C	1.00	1.07	0.93
TPLC100C16MP13C	CF/CM/CU30D	1.00	1.07	0.91
TPLC100C16MP13C	CF/CM/CU36C	1.02	1.14	0.93
TPLC100C16MP13C	CF/CM/CU36D	1.02	1.14	0.91
TPLC100C16MP13C	CF/CM/CU42C	1.04	1.14	0.93
TPLC100C16MP13C	CF/CM/CU42D	1.04	1.14	0.93
TPLC100C16MP13C	XAF/XAUC42E	1.01	0.97	0.92
TPLC100C16MP13C	XAFC30C	1.00	0.98	0.93
TPLC100C16MP13C	XAFC36D	1.01	0.97	0.92
TPLC100C16MP13C	XAFD42E	1.01	0.97	0.92
TPLC100C16MP13C	XAHC30C	1.01	1.02	0.94
TPLC100C16MP13C	XAHC36D	1.01	0.97	0.92
TPLC100C16MP13C	XAHC42E	1.01	0.97	0.92
TPLC100C16MP13C	XAHD42E	1.01	0.97	0.92
TPLC100C20MP13C	XAF/XAUC42E	1.04	1.10	0.95
TPLC100C20MP13C	XAFC30C	1.03	1.10	0.94
TPLC100C20MP13C	XAFC36D	1.04	1.10	0.95
TPLC100C20MP13C	XAFD42E	1.04	1.10	0.95
TPLC100C20MP13C	XAHC30C	1.03	1.10	0.95
TPLC100C20MP13C	XAHC36D	1.04	1.09	0.94
TPLC100C20MP13C	XAHC42E	1.04	1.10	0.95
TPLC100C20MP13C	XAHD42E	1.04	1.10	0.95
TPLC120C20MP13C	XAF/XAUC42E	1.04	1.10	0.95
TPLC120C20MP13C	XAFC30C	1.03	1.10	0.94
TPLC120C20MP13C	XAFC36D	1.04	1.10	0.95
TPLC120C20MP13C	XAFD42E	1.04	1.10	0.95
TPLC120C20MP13C	XAHC30C	1.03	1.10	0.95
TPLC120C20MP13C	XAHC36D	1.04	1.09	0.94
TPLC120C20MP13C	XAHC42E	1.04	1.10	0.95
TPLC120C20MP13C	XAHD42E	1.04	1.10	0.95
YP9C060B12MP13C	CF/CM/CU30B	0.98	0.96	0.92
YP9C060B12MP13C	CF/CM/CU36B	0.98	0.98	0.91
YP9C060B12MP13C	CF/CM/CU36C	0.99	0.99	0.91
YP9C060B12MP13C	CF/CM/CU42C	0.99	0.97	0.90
YP9C060B12MP13C	CF/CM30C	0.98	0.96	0.92
YP9C060B12MP13C	CF42B	0.99	0.97	0.90
YP9C060B12MP13C	XAF/XAUB30C	1.01	1.04	0.99
YP9C060B12MP13C	XAF/XAUB36D	1.01	0.97	0.95
YP9C060B12MP13C	XAF/XAUC42E	1.00	0.97	0.91
YP9C060B12MP13C	XAFB36E	1.01	0.97	0.95
YP9C060B12MP13C	XAFC30C	1.00	1.04	0.98

FURNACE MULTIPLIERS - 2.5 TON (Continued)

Furnaces	Coil	T.C.	S.C.	kW
YP9C060B12MP13C	XAFC36D	1.00	0.97	0.94
YP9C060B12MP13C	XAHB30C	1.01	1.05	1.01
YP9C060B12MP13C	XAHB36D	1.01	0.97	0.95
YP9C060B12MP13C	XAHC30C	1.00	1.04	0.98
YP9C060B12MP13C	XAHC36D	1.00	0.97	0.94
YP9C060B12MP13C	XAHC42E	1.00	0.97	0.94
YP9C080B12MP13C	CF/CM/CU30B	1.00	1.07	0.94
YP9C080B12MP13C	CF/CM/CU36B	1.02	1.10	0.95
YP9C080B12MP13C	CF42B	1.02	1.09	0.91
YP9C080B12MP13C	XAF/XAUB30C	1.01	1.03	0.96
YP9C080B12MP13C	XAF/XAUB36D	1.01	0.96	0.93
YP9C080B12MP13C	XAF/XAUC42E	1.01	0.97	0.92
YP9C080B12MP13C	XAFB36E	1.01	0.96	0.93
YP9C080B12MP13C	XAFC30C	1.00	1.03	0.94
YP9C080B12MP13C	XAFC36D	1.00	0.96	0.89
YP9C080B12MP13C	XAHB30C	1.01	1.02	0.92
YP9C080B12MP13C	XAHB36D	1.01	0.97	0.91
YP9C080B12MP13C	XAHC30C	0.99	1.02	0.94
YP9C080B12MP13C	XAHC36D	1.00	0.96	0.93
YP9C080B12MP13C	XAHC42E	1.01	0.97	0.93
YP9C080C16MP13C	CF/CM/CU36C	1.01	1.09	0.92
YP9C080C16MP13C	CF/CM/CU42C	1.03	1.08	0.92
YP9C080C16MP13C	CF/CM30C	0.99	1.06	0.92
YP9C080C16MP13C	CF/CM36D	1.00	1.07	0.91
YP9C080C16MP13C	CF/CM42D	1.01	1.07	0.91
YP9C080C16MP13C	XAF/XAUC42E	1.02	1.01	0.93
YP9C080C16MP13C	XAFC30C	1.01	1.02	0.94
YP9C080C16MP13C	XAFC36D	1.02	1.01	0.90
YP9C080C16MP13C	XAFD42E	1.01	1.01	0.92
YP9C080C16MP13C	XAHC30C	1.01	1.02	0.94
YP9C080C16MP13C	XAHC36D	1.02	1.01	0.95
YP9C080C16MP13C	XAHC42E	1.02	1.01	0.95
YP9C080C16MP13C	XAHD42E	1.01	1.01	0.92
YP9C100C16MP13C	CF/CM/CU30C	1.01	1.08	0.92
YP9C100C16MP13C	CF/CM/CU30D	1.02	1.09	0.91
YP9C100C16MP13C	CF/CM/CU36C	1.03	1.11	0.92
YP9C100C16MP13C	CF/CM/CU36D	1.03	1.10	0.90
YP9C100C16MP13C	CF/CM/CU42C	1.04	1.11	0.91
YP9C100C16MP13C	CF/CM/CU42D	1.04	1.10	0.91
YP9C100C16MP13C	XAF/XAUC42E	1.02	0.99	0.93
YP9C100C16MP13C	XAFC30C	1.01	0.99	0.93
YP9C100C16MP13C	XAFC36D	1.01	0.98	0.92
YP9C100C16MP13C	XAFD42E	1.01	0.99	0.92
YP9C100C16MP13C	XAHC30C	1.01	0.99	0.93
YP9C100C16MP13C	XAHC36D	1.01	0.98	0.92
YP9C100C16MP13C	XAHC42E	1.02	0.99	0.93
YP9C100C16MP13C	XAHD42E	1.01	0.99	0.92
YP9C100C20MP13C	CF/CM/CU42C	1.04	1.16	0.94
YP9C100C20MP13C	CF/CM/CU42D	1.04	1.16	0.94
YP9C100C20MP13C	XAF/XAUC42E	1.04	1.09	0.97
YP9C100C20MP13C	XAFC30C	1.02	1.09	0.96
YP9C100C20MP13C	XAFC36D	1.03	1.07	0.95
YP9C100C20MP13C	XAFD42E	1.04	1.09	0.93
YP9C100C20MP13C	XAHC30C	1.01	1.08	0.96
YP9C100C20MP13C	XAHC36D	1.04	1.09	0.98

FURNACE MULTIPLIERS - 2.5 TON (Continued)

Furnaces	Coil	T.C.	S.C.	kW
YP9C100C20MP13C	XAHC42E	1.04	1.10	0.97
YP9C100C20MP13C	XAHD42E	1.04	1.09	0.96
YP9C120D20MP13C	CF/CM/CU36D	1.03	1.15	0.92
YP9C120D20MP13C	CF/CM/CU42D	1.04	1.14	0.92
YP9C120D20MP13C	XAFD42E	1.04	1.06	0.90
YP9C120D20MP13C	XAHD42E	1.04	1.06	0.95
YPLC060A12MP13C	CF/CM/CU30A	0.97	1.01	0.95
YPLC060A12MP13C	CF/CM36A	0.99	0.99	0.93
YPLC060A12MP13C	XAF/XAUB30C	1.00	0.99	0.94
YPLC060A12MP13C	XAF/XAUB36D	1.01	0.97	0.93
YPLC060A12MP13C	XAFA30D	0.99	0.97	0.99
YPLC060A12MP13C	XAFB36E	1.01	0.97	0.93
YPLC060A12MP13C	XAHB30C	1.00	1.02	0.94
YPLC060A12MP13C	XAHB36D	1.00	0.97	0.94
YPLC060A12MP13C	XAHC42E	1.01	0.97	0.90
YPLC080B12MP13C	CF/CM/CU30B	0.98	1.03	0.94
YPLC080B12MP13C	CF/CM/CU36B	0.98	1.03	0.92
YPLC080B12MP13C	CF42B	0.99	1.02	0.92
YPLC080B12MP13C	XAF/XAUB30C	1.01	1.04	0.99
YPLC080B12MP13C	XAF/XAUB36D	1.01	0.98	0.95
YPLC080B12MP13C	XAF/XAUC42E	1.01	0.99	0.95
YPLC080B12MP13C	XAFB36E	1.01	0.99	0.96
YPLC080B12MP13C	XAFC30C	1.00	1.04	0.98
YPLC080B12MP13C	XAFC36D	1.00	0.98	0.94
YPLC080B12MP13C	XAHB30C	1.01	1.04	0.95
YPLC080B12MP13C	XAHB36D	1.01	0.98	0.97
YPLC080B12MP13C	XAHC30C	1.00	1.04	1.00
YPLC080B12MP13C	XAHC36D	1.00	0.98	0.94
YPLC080B12MP13C	XAHC42E	1.01	0.99	0.95
YPLC080C16MP13C	CF/CM/CU30C	1.00	1.07	0.93
YPLC080C16MP13C	CF/CM/CU30D	1.00	1.07	0.91
YPLC080C16MP13C	CF/CM/CU36C	1.02	1.14	0.93
YPLC080C16MP13C	CF/CM/CU36D	1.02	1.14	0.91
YPLC080C16MP13C	CF/CM/CU42C	1.04	1.14	0.93
YPLC080C16MP13C	CF/CM/CU42D	1.04	1.14	0.93
YPLC080C16MP13C	XAF/XAUC42E	1.01	0.97	0.92
YPLC080C16MP13C	XAFC30C	1.00	0.98	0.93
YPLC080C16MP13C	XAFC36D	1.01	0.97	0.92
YPLC080C16MP13C	XAFD42E	1.01	0.97	0.92
YPLC080C16MP13C	XAHC30C	1.01	1.02	0.94
YPLC080C16MP13C	XAHC36D	1.01	0.97	0.92
YPLC080C16MP13C	XAHC42E	1.01	0.97	0.92
YPLC080C16MP13C	XAHD42E	1.01	0.97	0.92
YPLC100C16MP13C	CF/CM/CU30C	1.00	1.07	0.93
YPLC100C16MP13C	CF/CM/CU30D	1.00	1.07	0.91
YPLC100C16MP13C	CF/CM/CU36C	1.02	1.14	0.93
YPLC100C16MP13C	CF/CM/CU36D	1.02	1.14	0.91
YPLC100C16MP13C	CF/CM/CU42C	1.04	1.14	0.93
YPLC100C16MP13C	CF/CM/CU42D	1.04	1.14	0.93
YPLC100C16MP13C	XAF/XAUC42E	1.01	0.97	0.92
YPLC100C16MP13C	XAFC30C	1.00	0.98	0.93
YPLC100C16MP13C	XAFC36D	1.01	0.97	0.92
YPLC100C16MP13C	XAFD42E	1.01	0.97	0.92
YPLC100C16MP13C	XAHC30C	1.01	1.02	0.94
YPLC100C16MP13C	XAHC36D	1.01	0.97	0.92

FURNACE MULTIPLIERS - 2.5 TON (Continued)

Furnaces	Coil	T.C.	S.C.	kW
YPLC100C16MP13C	XAHC42E	1.01	0.97	0.92
YPLC100C16MP13C	XAHD42E	1.01	0.97	0.92
YPLC100C20MP13C	XAF/XAUC42E	1.04	1.10	0.95
YPLC100C20MP13C	XAFC30C	1.03	1.10	0.94
YPLC100C20MP13C	XAFC36D	1.04	1.10	0.95
YPLC100C20MP13C	XAFD42E	1.04	1.10	0.95
YPLC100C20MP13C	XAHC30C	1.03	1.10	0.95
YPLC100C20MP13C	XAHC36D	1.04	1.09	0.94
YPLC100C20MP13C	XAHC42E	1.04	1.10	0.95
YPLC100C20MP13C	XAHD42E	1.04	1.10	0.95
YPLC120C20MP13C	XAF/XAUC42E	1.04	1.10	0.95
YPLC120C20MP13C	XAFC30C	1.03	1.10	0.94
YPLC120C20MP13C	XAFC36D	1.04	1.10	0.95
YPLC120C20MP13C	XAFD42E	1.04	1.10	0.95
YPLC120C20MP13C	XAHC30C	1.03	1.10	0.95
YPLC120C20MP13C	XAHC36D	1.04	1.09	0.94
YPLC120C20MP13C	XAHC42E	1.04	1.10	0.95
YPLC120C20MP13C	XAHD42E	1.04	1.10	0.95

PERFORMANCE DATA - 3 TON

CONDENSER-ONLY DATA (OUTDOOR UNIT)																		
MODEL	SATURATED SUCTION AT COMPRESSOR		Outdoor Ambient Temperature															
			55°F		65°F		75°F		85°F		95°F		105°F		115°F		125°F	
	T (°F)	P (PSIG)	MBH	kW	MBH	kW	MBH	kW	MBH	kW	MBH	kW	MBH	kW	MBH	kW	MBH	kW
YCG36B21S	35	107	36.1	2.02	34.3	2.22	32.5	2.44	30.7	2.69	28.7	2.98	26.7	3.32	24.5	3.71	22.2	4.18
	40	118	39.8	2.01	37.9	2.22	35.9	2.43	33.9	2.68	31.8	2.96	29.6	3.30	27.3	3.70	24.8	4.15
	45	130	43.7	2.01	41.7	2.21	39.6	2.43	37.4	2.67	35.1	2.94	32.7	3.28	30.2	3.68	27.6	4.13
	50	142	47.9	2.02	45.7	2.21	43.4	2.42	41.1	2.66	38.6	2.93	36.1	3.27	33.4	3.66	30.5	4.10
	55	156	52.2	2.02	49.9	2.21	47.5	2.42	44.9	2.66	42.4	2.92	39.6	3.25	36.7	3.64	33.7	4.07

Notes:

- For outdoor unit (condenser) performance only. Data does not include the effects of air handler power or heat.
- Performance based on 15°F subcooling and 15°F superheat at the outdoor unit base valves.
 - Increase capacity by 1% for each 2°F increase in subcooling.
 - Decrease capacity by 1% for each 2°F decrease in subcooling.
- Maximum recommended condensing temperature is 140°F.

COOLING PERFORMANCE DATA																
OUTDOOR UNIT MODEL NO.		YCG36B21S														
INDOOR COIL MODEL NO.		CF48CXA1														
AIR TEMPERATURE ENTERING OUTDOOR UNIT (°F)	ID CFM	1000					1200					1400				
	ID DB (°F)	80	80	75	80	80	80	80	75	80	80	80	80	75	80	80
	ID WB (°F)	57	62	62	67	72	57	62	62	67	72	57	62	62	67	72
55	T.C.	34.8	37.4	37.0	38.9	38.4	36.0	37.9	37.5	38.9	38.3	37.3	38.5	38.0	38.9	38.2
	S.C.	34.7	30.9	26.1	24.8	18.2	36.0	32.7	27.6	25.2	18.5	37.3	34.5	29.0	25.6	18.9
	kW	1.84	1.85	1.85	1.86	1.86	1.91	1.92	1.92	1.93	1.94	1.98	1.99	1.99	2.00	2.01
65	T.C.	34.0	36.2	36.1	38.7	39.7	35.3	36.9	36.7	39.0	39.8	36.7	37.6	37.3	39.3	40.0
	S.C.	34.0	30.6	25.8	25.1	19.0	35.3	32.9	27.6	26.2	19.6	36.7	35.2	29.4	27.4	20.2
	kW	2.03	2.04	2.03	2.05	2.04	2.10	2.11	2.11	2.12	2.12	2.18	2.18	2.18	2.19	2.20
75	T.C.	33.1	35.0	35.3	38.5	41.0	34.6	35.9	36.0	39.1	41.4	36.1	36.8	36.6	39.8	41.8
	S.C.	33.1	30.3	25.6	25.4	19.8	34.6	33.1	27.7	27.3	20.6	36.1	35.9	29.7	29.1	21.5
	kW	2.22	2.23	2.22	2.24	2.23	2.30	2.30	2.30	2.31	2.31	2.37	2.37	2.37	2.38	2.39
85	T.C.	31.6	33.8	33.9	37.0	39.7	33.2	34.6	34.5	37.6	40.1	34.8	35.4	35.1	38.1	40.5
	S.C.	31.6	29.6	25.0	24.9	19.4	33.2	32.3	27.1	26.8	20.4	34.8	35.1	29.2	28.8	21.4
	kW	2.49	2.51	2.49	2.50	2.49	2.56	2.57	2.56	2.57	2.57	2.63	2.64	2.63	2.64	2.64
95	T.C.	30.1	32.5	32.5	35.5	38.4	31.8	33.3	33.0	36.0	38.8	33.5	34.0	33.5	36.5	39.3
	S.C.	30.1	28.9	24.5	24.4	19.1	31.8	31.6	26.6	26.4	20.2	33.5	34.0	28.7	28.4	21.3
	kW	2.76	2.78	2.76	2.75	2.75	2.83	2.85	2.83	2.82	2.82	2.89	2.91	2.89	2.89	2.89
105	T.C.	28.9	30.5	30.4	33.5	36.4	30.4	31.3	30.9	33.9	36.7	31.9	32.1	31.4	34.4	37.0
	S.C.	28.9	28.1	23.5	23.7	18.3	30.4	30.2	25.7	25.6	19.4	31.9	32.1	27.8	27.6	20.5
	kW	3.20	3.22	3.22	3.18	3.17	3.25	3.27	3.28	3.24	3.24	3.30	3.32	3.33	3.31	3.31
115	T.C.	27.6	28.6	28.4	31.6	34.5	29.0	29.4	28.9	32.0	34.7	30.3	30.2	29.3	32.3	34.8
	S.C.	27.6	27.3	22.6	23.0	17.6	29.0	28.8	24.8	24.9	18.7	30.3	30.2	26.9	26.7	19.7
	kW	3.63	3.64	.67	3.59	3.57	3.67	3.68	3.71	3.65	3.64	3.70	3.72	3.76	3.71	3.71
125	T.C.	26.4	26.7	26.4	29.7	32.6	27.6	27.5	26.8	30.0	32.6	28.7	28.3	27.2	30.2	32.6
	S.C.	26.4	26.5	21.7	22.3	16.9	27.6	27.5	23.8	24.1	17.9	28.7	28.3	26.0	25.9	19.0
	kW	4.06	4.07	4.12	4.01	3.98	4.08	4.09	4.15	4.06	4.04	4.10	4.12	4.19	4.11	4.11

Note: All capacities include indoor fan heat. kW values are for the system (outdoor + indoor).

Green shaded cells are ACCA (TVA) conditions.

Blue shaded cells are AHRI conditions.

Multipliers for determining the performance with other indoor sections

Note: For dry bulb temperatures different than those listed (between 73°F to 87°F), sensible capacity increases by 1060 BTUH per 1000 CFM per degree above the listed temperature and decreases by 1060 BTUH per 1000 CFM per degree below the listed temperature.

COIL MULTIPLIERS - 3 TON

Air Handler	Coil	T.C.	S.C.	kW
—	CF/CM/CU36B	0.96	0.96	0.98
—	CF/CM/CU36C	0.96	0.96	0.98
—	CF/CM/CU36D	0.96	0.96	0.98
—	CF/CM/CU42C	0.98	0.96	1.00
—	CF/CM/CU42D	0.98	0.99	1.00
—	CF/CM/CU48C	1.00	1.00	1.00
—	CF/CM/CU48D	1.00	1.00	1.00
—	CF/CM/CU60C	1.00	0.99	1.00
—	CF/CM/CU60D	1.00	0.99	1.00
—	CF42B	0.98	0.96	1.00
—	XAF/XAUB36D	0.96	1.02	0.98
—	XAF/XAUC42E	0.98	1.05	1.00
—	XAF/XAUC48F	1.00	1.03	1.00
—	XAFB36E	0.98	1.00	1.00
—	XAFC36D	0.96	1.04	0.98
—	XAFD42E	0.98	1.05	1.00
—	XAFD48F	1.00	1.03	1.00
—	XAHC36D	0.96	1.02	0.98
—	XAHC42E	0.98	1.03	1.00
—	XAHC48F	1.00	1.03	1.00
—	XAHD42E	0.98	1.05	1.00
—	XAHD48F	1.00	1.03	1.00
AE36BX21	—	0.96	0.91	0.91
AE36CX21	—	0.96	0.91	0.88
AE42CX21	—	0.98	0.93	0.90
AE48CX21	—	1.00	1.03	0.91
AE48DX21	—	1.00	1.02	0.89
AE60CX21	—	1.00	1.04	0.94
AP36BX21	—	0.96	0.91	0.98
AP36CX21	—	0.96	0.90	0.96
AP42CX21	—	0.98	0.95	1.00
AP48CX21	—	1.00	0.99	1.00
AP48DX21	—	1.00	0.99	1.00
AP60CX21	—	1.00	1.03	1.04
AP60DX22	—	1.01	1.03	1.03
AP60DX23	—	1.01	1.03	1.03
AVC36BX21	—	0.96	0.90	0.89
AVC36CX21	—	0.96	0.90	0.88
AVC42CX21	—	0.98	0.97	0.90
AVC48CX21	—	1.00	0.97	0.91
AVC48DX21	—	1.00	0.99	0.89

FURNACE MULTIPLIERS - 3 TON

Furnaces	Coil	T.C.	S.C.	kW
TL8E060A12UH11	CF/CM/CU36B	0.96	0.97	0.96
TL8E060A12UH11	CF42B	0.98	0.97	0.95
TL8E060A12UH11	XAF/XAUB36D	0.96	0.97	0.96
TL8E060A12UH11	XAFB36E	0.98	0.96	0.96
TL8E060A12UH11	XAHB36D	0.96	1.02	0.96
TL8E080C16UH11	CF/CM/CU36C	0.96	1.00	0.91
TL8E080C16UH11	CF/CM/CU42C	0.98	1.00	0.91
TL8E080C16UH11	CF/CM/CU48C	1.00	1.03	0.93
TL8E080C16UH11	CF/CM/CU48D	1.00	1.03	0.93
TL8E080C16UH11	CF/CM/CU60C	1.00	1.02	0.93
TL8E080C16UH11	CF/CM/CU60D	1.00	1.02	0.93

FURNACE MULTIPLIERS - 3 TON (Continued)

Furnaces	Coil	T.C.	S.C.	kW
TL8E080C16UH11	CF/CM36D	0.96	1.00	0.91
TL8E080C16UH11	CF/CM42D	0.98	1.00	0.91
TL8E080C16UH11	XAF/XAUC42E	0.98	0.99	0.93
TL8E080C16UH11	XAF/XAUC48F	1.00	0.99	0.93
TL8E080C16UH11	XAFC36D	0.96	0.99	0.91
TL8E080C16UH11	XAFD42E	0.98	0.99	0.93
TL8E080C16UH11	XAFD48F	0.99	0.99	0.93
TL8E080C16UH11	XAHC36D	0.96	0.98	0.91
TL8E080C16UH11	XAHC42E	0.98	0.98	0.93
TL8E080C16UH11	XAHC48F	1.00	0.99	0.93
TL8E080C16UH11	XAHD42E	0.98	0.99	0.93
TL8E080C16UH11	XAHD48F	0.99	0.99	0.93
TL8E100C20UH11	CF/CM/CU36C	0.96	0.97	0.91
TL8E100C20UH11	CF/CM/CU42C	0.98	0.98	0.91
TL8E100C20UH11	CF/CM/CU48C	1.00	1.00	0.91
TL8E100C20UH11	CF/CM/CU48D	1.00	1.00	0.91
TL8E100C20UH11	CF/CM/CU60C	1.00	1.00	0.91
TL8E100C20UH11	CF/CM/CU60D	1.00	1.01	0.91
TL8E100C20UH11	CF/CM36D	0.96	0.97	0.89
TL8E100C20UH11	CF/CM42D	0.98	0.98	0.90
TL8E100C20UH11	XAF/XAUC42E	0.98	0.96	0.91
TL8E100C20UH11	XAF/XAUC48F	1.00	0.96	0.93
TL8E100C20UH11	XAFC36D	0.96	0.96	0.91
TL8E100C20UH11	XAFD42E	0.98	0.96	0.91
TL8E100C20UH11	XAFD48F	0.99	0.96	0.91
TL8E100C20UH11	XAHC36D	0.96	1.03	0.91
TL8E100C20UH11	XAHC42E	0.98	1.04	0.93
TL8E100C20UH11	XAHC48F	1.00	0.96	0.93
TL8E100C20UH11	XAHD42E	0.98	1.05	0.91
TL8E100C20UH11	XAHD48F	0.99	0.96	0.92
TL9E060B12UH11	CF/CM/CU36B	0.96	0.97	0.98
TL9E060B12UH11	CF/CM/CU36C	0.96	0.97	0.98
TL9E060B12UH11	CF/CM/CU42C	0.98	0.98	0.96
TL9E060B12UH11	CF/CM/CU48C	1.00	1.00	0.98
TL9E060B12UH11	CF/CM/CU60C	1.00	1.00	1.00
TL9E060B12UH11	CF42B	0.98	0.98	0.98
TL9E060B12UH11	XAF/XAUB36D	0.96	0.96	0.98
TL9E060B12UH11	XAF/XAUC42E	0.98	0.98	0.96
TL9E060B12UH11	XAF/XAUC48F	0.99	0.96	0.98
TL9E060B12UH11	XAFB36E	0.98	0.96	0.98
TL9E060B12UH11	XAFC36D	0.96	0.98	0.98
TL9E060B12UH11	XAHC36D	0.96	0.96	0.98
TL9E060B12UH11	XAHC42E	0.98	0.96	0.98
TL9E060B12UH11	XAHC48F	0.99	0.96	0.98
TL9E080C16UH11	CF/CM/CU36C	0.96	0.98	0.94
TL9E080C16UH11	CF/CM/CU42C	0.98	1.00	0.93
TL9E080C16UH11	CF/CM/CU48C	1.00	1.02	0.93
TL9E080C16UH11	CF/CM/CU48D	1.00	1.03	0.94
TL9E080C16UH11	CF/CM/CU60C	1.00	1.01	0.94
TL9E080C16UH11	CF/CM/CU60D	1.00	1.01	0.94
TL9E080C16UH11	CF/CM36D	0.96	0.98	0.91
TL9E080C16UH11	CF/CM42D	0.98	0.99	0.93
TL9E080C16UH11	XAF/XAUC42E	0.98	0.98	0.93
TL9E080C16UH11	XAF/XAUC48F	1.00	0.98	0.94
TL9E080C16UH11	XAFC36D	0.96	0.98	0.94

FURNACE MULTIPLIERS - 3 TON (Continued)

Furnaces	Coil	T.C.	S.C.	kW
TL9E080C16UH11	XAFD42E	0.98	0.98	0.93
TL9E080C16UH11	XAFD48F	0.99	0.98	0.94
TL9E080C16UH11	XAHC36D	0.96	0.98	0.94
TL9E080C16UH11	XAHC42E	0.98	0.98	0.93
TL9E080C16UH11	XAHC48F	1.00	0.98	0.94
TL9E080C16UH11	XAHD42E	0.98	0.98	0.93
TL9E080C16UH11	XAHD48F	0.99	0.98	0.94
TL9E100C20UH11	CF/CM/CU36C	0.96	1.00	0.91
TL9E100C20UH11	CF/CM/CU42C	0.98	1.00	0.91
TL9E100C20UH11	CF/CM/CU48C	1.00	1.03	0.91
TL9E100C20UH11	CF/CM/CU48D	1.00	1.04	0.91
TL9E100C20UH11	CF/CM/CU60C	1.00	1.02	0.93
TL9E100C20UH11	CF/CM/CU60D	1.00	1.02	0.93
TL9E100C20UH11	CF/CM36D	0.96	1.01	0.91
TL9E100C20UH11	CF/CM42D	0.98	1.02	0.91
TL9E100C20UH11	XAF/XAUC42E	0.98	1.00	0.91
TL9E100C20UH11	XAF/XAUC48F	1.00	0.99	0.93
TL9E100C20UH11	XAFC36D	0.96	0.99	0.91
TL9E100C20UH11	XAFD42E	0.98	1.01	0.91
TL9E100C20UH11	XAFD48F	0.99	0.99	0.92
TL9E100C20UH11	XAHC36D	0.96	0.98	0.91
TL9E100C20UH11	XAHC42E	0.98	0.98	0.91
TL9E100C20UH11	XAHC48F	1.00	1.01	0.93
TL9E100C20UH11	XAHD42E	0.98	1.00	0.91
TL9E100C20UH11	XAHD48F	0.99	0.99	0.92
TM8E040A12MP11	CF/CM/CU36B	0.96	0.96	0.94
TM8E040A12MP11	CF42B	0.98	0.96	0.95
TM8E040A12MP11	XAF/XAUB36D	0.96	0.96	0.94
TM8E040A12MP11	XAFB36E	0.98	0.96	0.96
TM8E040A12MP11	XAHB36D	0.96	1.02	0.96
TM8E060A12MP11	CF/CM/CU36B	0.96	0.96	0.94
TM8E060A12MP11	CF42B	0.98	0.96	0.95
TM8E060A12MP11	XAF/XAUB36D	0.96	0.96	0.94
TM8E060A12MP11	XAFB36E	0.98	0.96	0.96
TM8E060A12MP11	XAHB36D	0.96	1.03	0.96
TM8E080B12MP11	CF/CM/CU36B	0.96	0.96	0.94
TM8E080B12MP11	CF/CM/CU36C	0.96	0.97	0.94
TM8E080B12MP11	CF/CM/CU42C	0.98	0.98	0.93
TM8E080B12MP11	CF/CM/CU48C	1.00	1.00	0.94
TM8E080B12MP11	CF/CM/CU60C	1.00	0.99	0.96
TM8E080B12MP11	CF42B	0.98	0.97	0.95
TM8E080B12MP11	XAF/XAUB36D	0.96	0.96	0.94
TM8E080B12MP11	XAF/XAUC42E	0.98	0.98	0.93
TM8E080B12MP11	XAF/XAUC48F	0.99	0.96	0.94
TM8E080B12MP11	XAFB36E	0.98	0.96	0.96
TM8E080B12MP11	XAFC36D	0.96	0.96	0.94
TM8E080B12MP11	XAHB36D	0.96	1.02	0.96
TM8E080B12MP11	XAHC36D	0.96	0.96	0.94
TM8E080B12MP11	XAHC42E	0.98	0.96	0.95
TM8E080B12MP11	XAHC48F	0.99	0.98	0.94
TM8E080C16MP11	CF/CM/CU36C	0.96	0.98	0.91
TM8E080C16MP11	CF/CM/CU42C	0.98	0.99	0.91
TM8E080C16MP11	CF/CM/CU48C	1.00	1.03	0.93
TM8E080C16MP11	CF/CM/CU48D	1.00	1.03	0.93
TM8E080C16MP11	CF/CM/CU60C	1.00	1.02	0.93
TM8E080C16MP11	CF/CM/CU60D	1.00	1.02	0.93
TM8E080C16MP11	CF/CM36D	0.96	1.00	0.91
TM8E080C16MP11	CF/CM42D	0.98	1.00	0.91
TM8E080C16MP11	CF/CM60C	1.00	1.07	0.94

FURNACE MULTIPLIERS - 3 TON (Continued)

Furnaces	Coil	T.C.	S.C.	kW
TM8E080C16MP11	CF/CM/CU60D	1.00	1.02	0.93
TM8E080C16MP11	CF/CM36D	0.96	1.00	0.91
TM8E080C16MP11	CF/CM42D	0.98	1.00	0.91
TM8E080C16MP11	XAF/XAUC42E	0.98	0.98	0.91
TM8E080C16MP11	XAF/XAUC48F	1.00	0.98	0.93
TM8E080C16MP11	XAFC36D	0.96	0.98	0.91
TM8E080C16MP11	XAFD42E	0.98	0.98	0.91
TM8E080C16MP11	XAFD48F	0.99	0.98	0.92
TM8E080C16MP11	XAHC36D	0.96	0.98	0.91
TM8E080C16MP11	XAHC42E	0.98	0.98	0.93
TM8E080C16MP11	XAHC48F	1.00	0.98	0.93
TM8E080C16MP11	XAHD42E	0.98	0.98	0.91
TM8E080C16MP11	XAHD48F	0.99	0.98	0.92
TM8E080C20MP11	CF/CM/CU36C	0.96	1.03	0.91
TM8E080C20MP11	CF/CM/CU42C	0.98	1.03	0.91
TM8E080C20MP11	CF/CM/CU48C	1.00	1.07	0.93
TM8E080C20MP11	CF/CM/CU48D	1.00	1.08	0.93
TM8E080C20MP11	CF/CM/CU60C	1.00	1.05	0.93
TM8E080C20MP11	CF/CM/CU60D	1.00	1.07	0.93
TM8E080C20MP11	CF/CM36D	0.96	1.06	0.91
TM8E080C20MP11	CF/CM42D	0.98	1.05	0.91
TM8E080C20MP11	XAF/XAUC42E	0.98	1.05	0.91
TM8E080C20MP11	XAF/XAUC48F	1.00	1.04	0.93
TM8E080C20MP11	XAFC36D	0.96	1.04	0.91
TM8E080C20MP11	XAFD42E	0.98	1.05	0.91
TM8E080C20MP11	XAFD48F	0.99	1.04	0.92
TM8E080C20MP11	XAHC36D	0.96	1.03	0.91
TM8E080C20MP11	XAHC42E	0.98	1.04	0.93
TM8E080C20MP11	XAHC48F	1.00	1.04	0.93
TM8E080C20MP11	XAHD42E	0.98	1.05	0.91
TM8E080C20MP11	XAHD48F	0.99	1.04	0.92
TM8E100B12MP11	CF/CM/CU36B	0.96	0.98	0.94
TM8E100B12MP11	CF/CM/CU36C	0.96	0.98	0.94
TM8E100B12MP11	CF/CM/CU42C	0.98	0.99	0.93
TM8E100B12MP11	CF/CM/CU48C	1.00	1.03	0.94
TM8E100B12MP11	CF/CM/CU60C	1.00	1.01	0.96
TM8E100B12MP11	CF42B	0.98	0.98	0.95
TM8E100B12MP11	XAF/XAUB36D	0.96	0.98	0.94
TM8E100B12MP11	XAF/XAUC42E	0.98	1.00	0.93
TM8E100B12MP11	XAF/XAUC48F	0.99	0.98	0.94
TM8E100B12MP11	XAFB36E	0.98	0.98	0.96
TM8E100B12MP11	XAFC36D	0.96	0.98	0.94
TM8E100B12MP11	XAHB36D	0.96	0.98	0.94
TM8E100B12MP11	XAHC36D	0.96	0.98	0.94
TM8E100B12MP11	XAHC42E	0.98	0.98	0.95
TM8E100B12MP11	XAHC48F	0.99	0.98	0.94
TM8E100C16MP11	CF/CM/CU36C	0.96	1.00	0.91
TM8E100C16MP11	CF/CM/CU42C	0.98	1.00	0.91
TM8E100C16MP11	CF/CM/CU48C	1.00	1.03	0.93
TM8E100C16MP11	CF/CM/CU48D	1.00	1.03	0.93
TM8E100C16MP11	CF/CM/CU60C	1.00	1.02	0.93
TM8E100C16MP11	CF/CM/CU60D	1.00	1.02	0.93
TM8E100C16MP11	CF/CM36D	0.96	1.00	0.91
TM8E100C16MP11	CF/CM42D	0.98	1.00	0.91
TM8E100C16MP11	XAF/XAUC42E	0.98	0.99	0.91

FURNACE MULTIPLIERS - 3 TON (Continued)

Furnaces	Coil	T.C.	S.C.	kW
TM8E100C16MP11	XAF/XAUC48F	1.00	0.98	0.93
TM8E100C16MP11	XAFC36D	0.96	0.99	0.91
TM8E100C16MP11	XAFD42E	0.98	1.00	0.91
TM8E100C16MP11	XAFD48F	0.99	0.99	0.92
TM8E100C16MP11	XAHC36D	0.96	0.98	0.91
TM8E100C16MP11	XAHC42E	0.98	0.98	0.93
TM8E100C16MP11	XAHC48F	1.00	0.99	0.93
TM8E100C16MP11	XAHD42E	0.98	0.98	0.93
TM8E100C16MP11	XAHD48F	0.99	0.99	0.93
TM8E100C20MP11	CF/CM/CU36C	0.96	1.03	0.91
TM8E100C20MP11	CF/CM/CU42C	0.98	1.03	0.91
TM8E100C20MP11	CF/CM/CU48C	1.00	1.07	0.93
TM8E100C20MP11	CF/CM/CU48D	1.00	1.08	0.93
TM8E100C20MP11	CF/CM/CU60C	1.00	1.05	0.93
TM8E100C20MP11	CF/CM/CU60D	1.00	1.07	0.93
TM8E100C20MP11	CF/CM36D	0.96	1.06	0.91
TM8E100C20MP11	CF/CM42D	0.98	1.05	0.91
TM8E100C20MP11	XAF/XAUC42E	0.98	1.05	0.91
TM8E100C20MP11	XAF/XAUC48F	1.00	1.04	0.94
TM8E100C20MP11	XAFC36D	0.96	1.05	0.91
TM8E100C20MP11	XAFD42E	0.98	1.05	0.91
TM8E100C20MP11	XAFD48F	0.99	1.04	0.92
TM8E100C20MP11	XAHC36D	0.96	1.03	0.91
TM8E100C20MP11	XAHC42E	0.98	1.04	0.93
TM8E100C20MP11	XAHC48F	1.00	1.04	0.93
TM8E100C20MP11	XAHD42E	0.98	1.05	0.91
TM8E100C20MP11	XAHD48F	0.99	1.04	0.92
TM8E120C16MP11	CF/CM/CU36C	0.96	1.00	0.91
TM8E120C16MP11	CF/CM/CU42C	0.98	1.00	0.91
TM8E120C16MP11	CF/CM/CU48C	1.00	1.03	0.93
TM8E120C16MP11	CF/CM/CU48D	1.00	1.03	0.93
TM8E120C16MP11	CF/CM/CU60C	1.00	1.02	0.93
TM8E120C16MP11	CF/CM/CU60D	1.00	1.02	0.93
TM8E120C16MP11	CF/CM36D	0.96	1.00	0.91
TM8E120C16MP11	CF/CM42D	0.98	1.00	0.91
TM8E120C16MP11	XAF/XAUC42E	0.98	1.00	0.91
TM8E120C16MP11	XAF/XAUC48F	1.00	0.99	0.93
TM8E120C16MP11	XAFC36D	0.96	0.99	0.91
TM8E120C16MP11	XAFD42E	0.98	1.00	0.91
TM8E120C16MP11	XAFD48F	0.99	0.99	0.92
TM8E120C16MP11	XAHC36D	0.96	0.98	0.91
TM8E120C16MP11	XAHC42E	0.98	0.98	0.93
TM8E120C16MP11	XAHC48F	1.00	0.99	0.93
TM8E120C16MP11	XAHD42E	0.98	0.99	0.91
TM8E120C16MP11	XAHD48F	0.99	0.99	0.92
TM8E120C20MP11	CF/CM/CU36C	0.96	1.06	0.92
TM8E120C20MP11	CF/CM/CU42C	0.98	1.05	0.91
TM8E120C20MP11	CF/CM/CU48C	1.00	1.08	0.91
TM8E120C20MP11	CF/CM/CU48D	1.00	1.08	0.93
TM8E120C20MP11	CF/CM/CU60C	1.00	1.07	0.93
TM8E120C20MP11	CF/CM/CU60D	1.00	1.03	0.93
TM8E120C20MP11	CF/CM36D	0.96	1.01	0.94
TM8E120C20MP11	CF/CM42D	0.98	1.07	0.91
TM8E120C20MP11	XAF/XAUC42E	0.98	1.06	0.91
TM8E120C20MP11	XAF/XAUC48F	1.00	1.05	0.95

FURNACE MULTIPLIERS - 3 TON (Continued)

Furnaces	Coil	T.C.	S.C.	kW
TM8E120C20MP11	XAFC36D	0.96	1.05	0.92
TM8E120C20MP11	XAFD42E	0.98	1.06	0.91
TM8E120C20MP11	XAFD48F	0.99	1.05	0.95
TM8E120C20MP11	XAHC36D	0.96	1.05	0.92
TM8E120C20MP11	XAHC42E	0.98	1.05	0.93
TM8E120C20MP11	XAHC48F	1.00	1.05	0.95
TM8E120C20MP11	XAHD42E	0.98	1.05	0.93
TM8E120C20MP11	XAHD48F	0.99	1.05	0.95
TM8E130D20MP11	CF/CM/CU48D	1.00	1.08	0.91
TM8E130D20MP11	CF/CM/CU60D	1.00	1.03	0.91
TM8E130D20MP11	CF/CM36D	0.96	1.01	0.94
TM8E130D20MP11	CF/CM42D	0.98	1.07	0.91
TM8E130D20MP11	XAFD42E	0.98	1.06	0.91
TM8E130D20MP11	XAFD48F	1.00	1.05	0.93
TM8E130D20MP11	XAHD42E	0.98	1.05	0.91
TM8E130D20MP11	XAHD48F	1.00	1.05	0.95
TM8V060A12MP12C	XAF/XAUB36D	0.96	0.98	0.94
TM8V060A12MP12C	XAFB36E	0.98	0.98	0.96
TM8V060A12MP12C	XAHB36D	0.96	0.98	0.96
TM8V080B12MP12C	XAF/XAUB36D	0.96	0.96	0.96
TM8V080B12MP12C	XAF/XAUC42E	0.98	0.96	0.98
TM8V080B12MP12C	XAF/XAUC48F	0.99	0.95	0.99
TM8V080B12MP12C	XAFB36E	0.98	0.96	0.98
TM8V080B12MP12C	XAFC36D	0.96	0.96	0.96
TM8V080B12MP12C	XAHB36D	0.96	0.96	0.96
TM8V080B12MP12C	XAHC36D	0.96	0.96	0.96
TM8V080B12MP12C	XAHC42E	0.98	0.96	0.98
TM8V080B12MP12C	XAHC48F	0.99	0.95	0.98
TM8V080C16MP12C	CF/CM/CU36C	0.96	1.01	0.91
TM8V080C16MP12C	CF/CM/CU36D	1.00	1.05	0.93
TM8V080C16MP12C	CF/CM/CU42C	1.00	1.05	0.94
TM8V080C16MP12C	CF/CM/CU42D	1.00	1.05	0.93
TM8V080C16MP12C	CF/CM/CU48C	1.00	1.04	0.93
TM8V080C16MP12C	CF/CM/CU48D	1.00	1.04	0.93
TM8V080C16MP12C	CF/CM/CU60C	1.00	1.05	0.93
TM8V080C16MP12C	CF/CM/CU60D	1.00	1.05	0.91
TM8V080C16MP12C	XAF/XAUC42E	1.00	0.98	0.94
TM8V080C16MP12C	XAF/XAUC48F	1.00	0.98	0.94
TM8V080C16MP12C	XAFC36D	0.96	0.98	0.91
TM8V080C16MP12C	XAFD42E	0.99	0.98	0.94
TM8V080C16MP12C	XAFD48F	0.99	0.98	0.93
TM8V080C16MP12C	XAHC36D	0.96	0.98	0.91
TM8V080C16MP12C	XAHC42E	1.00	0.98	0.94
TM8V080C16MP12C	XAHC48F	1.00	0.98	0.93
TM8V080C16MP12C	XAHD42E	0.99	0.98	0.94
TM8V080C16MP12C	XAHD48F	0.99	0.98	0.94
TM8V100C16MP12C	CF/CM/CU36C	0.96	1.01	0.91
TM8V100C16MP12C	CF/CM/CU36D	1.00	1.05	0.93
TM8V100C16MP12C	CF/CM/CU42C	1.00	1.05	0.94
TM8V100C16MP12C	CF/CM/CU42D	1.00	1.05	0.93
TM8V100C16MP12C	CF/CM/CU48C	1.00	1.04	0.93
TM8V100C16MP12C	CF/CM/CU48D	1.00	1.04	0.93
TM8V100C16MP12C	CF/CM/CU60C	1.00	1.05	0.93
TM8V100C16MP12C	CF/CM/CU60D	1.00	1.05	0.91
TM8V100C16MP12C	XAF/XAUC42E	1.00	0.98	0.94

FURNACE MULTIPLIERS - 3 TON (Continued)

Furnaces	Coil	T.C.	S.C.	kW
TM8V100C16MP12C	XAF/XAUC48F	1.00	0.98	0.94
TM8V100C16MP12C	XAFC36D	0.96	0.98	0.91
TM8V100C16MP12C	XAFD42E	0.99	0.98	0.94
TM8V100C16MP12C	XAFD48F	0.99	0.98	0.93
TM8V100C16MP12C	XAHC36D	0.96	0.98	0.91
TM8V100C16MP12C	XAHC42E	1.00	0.98	0.94
TM8V100C16MP12C	XAHC48F	1.00	0.98	0.93
TM8V100C16MP12C	XAHD42E	0.99	0.98	0.94
TM8V100C16MP12C	XAHD48F	0.99	0.98	0.94
TM8V100C20MP12C	CF/CM/CU36C	0.97	1.02	0.91
TM8V100C20MP12C	CF/CM/CU36D	1.00	1.05	0.91
TM8V100C20MP12C	CF/CM/CU42C	1.00	1.05	0.94
TM8V100C20MP12C	CF/CM/CU42D	1.00	1.05	0.91
TM8V100C20MP12C	CF/CM/CU48C	1.00	1.04	0.93
TM8V100C20MP12C	CF/CM/CU48D	1.00	1.07	0.89
TM8V100C20MP12C	CF/CM/CU60C	1.00	1.05	0.93
TM8V100C20MP12C	CF/CM/CU60D	1.00	1.05	0.91
TM8V100C20MP12C	XAF/XAUC42E	1.00	1.03	0.94
TM8V100C20MP12C	XAF/XAUC48F	1.00	1.02	0.93
TM8V100C20MP12C	XAFC36D	0.97	1.02	0.91
TM8V100C20MP12C	XAFD42E	0.99	1.03	0.92
TM8V100C20MP12C	XAFD48F	0.99	1.02	0.92
TM8V100C20MP12C	XAHC36D	0.97	1.02	0.91
TM8V100C20MP12C	XAHC42E	1.00	1.02	0.94
TM8V100C20MP12C	XAHC48F	1.00	1.02	0.93
TM8V100C20MP12C	XAHD42E	0.99	1.02	0.94
TM8V100C20MP12C	XAHD48F	0.99	1.02	0.92
TM8V120C20MP12C	CF/CM/CU36C	0.97	1.02	0.91
TM8V120C20MP12C	CF/CM/CU36D	1.00	1.05	0.91
TM8V120C20MP12C	CF/CM/CU42C	1.00	1.05	0.94
TM8V120C20MP12C	CF/CM/CU42D	1.00	1.05	0.91
TM8V120C20MP12C	CF/CM/CU48C	1.00	1.04	0.93
TM8V120C20MP12C	CF/CM/CU48D	1.00	1.07	0.89
TM8V120C20MP12C	CF/CM/CU60C	1.00	1.05	0.93
TM8V120C20MP12C	CF/CM/CU60D	1.00	1.05	0.91
TM8V120C20MP12C	XAF/XAUC42E	1.00	1.03	0.94
TM8V120C20MP12C	XAF/XAUC48F	1.00	1.02	0.93
TM8V120C20MP12C	XAFC36D	0.97	1.02	0.91
TM8V120C20MP12C	XAFD42E	0.99	1.03	0.92
TM8V120C20MP12C	XAFD48F	0.99	1.02	0.92
TM8V120C20MP12C	XAHC36D	0.97	1.02	0.91
TM8V120C20MP12C	XAHC42E	1.00	1.02	0.94
TM8V120C20MP12C	XAHC48F	1.00	1.02	0.93
TM8V120C20MP12C	XAHD42E	0.99	1.02	0.94
TM8V120C20MP12C	XAHD48F	0.99	1.02	0.92
TM8X060A12MP11	CF/CM36A	0.96	0.99	0.96
TM8X080B12MP11	CF/CM/CU36B	0.98	1.04	0.92
TM8X080B12MP11	CF42B	0.99	1.03	0.95
TM8X080C16MP11	CF/CM/CU36C	0.96	1.01	0.89
TM8X080C16MP11	CF/CM/CU36D	0.97	1.03	0.90
TM8X080C16MP11	CF/CM/CU42C	0.98	1.02	0.91
TM8X080C16MP11	CF/CM/CU42D	0.99	1.03	0.91
TM8X080C16MP11	CF/CM/CU48C	1.00	1.04	0.91
TM8X080C16MP11	CF/CM/CU48D	1.00	1.04	0.91
TM8X080C16MP11	CF/CM/CU60C	1.00	1.03	0.91

FURNACE MULTIPLIERS - 3 TON (Continued)

Furnaces	Coil	T.C.	S.C.	kW
TM8X080C16MP11	CF/CM/CU60D	1.00	1.04	0.91
TM8X100C16MP11	CF/CM/CU36C	0.96	1.01	0.89
TM8X100C16MP11	CF/CM/CU36D	0.97	1.03	0.90
TM8X100C16MP11	CF/CM/CU42C	0.98	1.02	0.91
TM8X100C16MP11	CF/CM/CU42D	0.99	1.03	0.91
TM8X100C16MP11	CF/CM/CU48C	1.00	1.04	0.91
TM8X100C16MP11	CF/CM/CU48D	1.00	1.04	0.91
TM8X100C16MP11	CF/CM/CU60C	1.00	1.03	0.91
TM8X100C16MP11	CF/CM/CU60D	1.00	1.04	0.91
TM8X100C20MP11	CF/CM/CU36C	0.97	1.05	0.90
TM8X100C20MP11	CF/CM/CU36D	0.98	1.05	0.91
TM8X100C20MP11	CF/CM/CU42C	0.99	1.04	0.91
TM8X100C20MP11	CF/CM/CU42D	1.00	1.05	0.91
TM8X100C20MP11	CF/CM/CU48C	1.00	1.07	0.91
TM8X100C20MP11	CF/CM/CU48D	1.00	1.07	0.91
TM8X100C20MP11	CF/CM/CU60C	1.00	1.05	0.89
TM8X100C20MP11	CF/CM/CU60D	1.00	1.06	0.89
TM8X120C20MP11	CF/CM/CU36C	0.97	1.05	0.90
TM8X120C20MP11	CF/CM/CU36D	0.98	1.05	0.91
TM8X120C20MP11	CF/CM/CU42C	0.99	1.04	0.91
TM8X120C20MP11	CF/CM/CU42D	1.00	1.05	0.91
TM8X120C20MP11	CF/CM/CU48C	1.00	1.07	0.91
TM8X120C20MP11	CF/CM/CU48D	1.00	1.07	0.91
TM8X120C20MP11	CF/CM/CU60C	1.00	1.05	0.89
TM8X120C20MP11	CF/CM/CU60D	1.00	1.06	0.89
TM8Y060A12MP11	CF/CM36A	0.96	0.99	0.96
TM8Y060A12MP11	XAF/XAUB36D	0.96	1.00	0.96
TM8Y060A12MP11	XAFB36E	0.98	1.00	1.00
TM8Y060A12MP11	XAHB36D	0.96	0.99	0.96
TM8Y080B12MP11	CF/CM/CU36B	0.98	1.04	0.92
TM8Y080B12MP11	CF42B	0.99	1.03	0.95
TM8Y080B12MP11	XAF/XAUB36D	0.96	1.02	0.96
TM8Y080B12MP11	XAF/XAUC42E	0.98	1.04	0.96
TM8Y080B12MP11	XAF/XAUC48F	0.99	1.02	0.98
TM8Y080B12MP11	XAFB36E	0.98	1.03	0.98
TM8Y080B12MP11	XAFC36D	0.96	1.03	0.94
TM8Y080B12MP11	XAHB36D	0.96	1.02	0.96
TM8Y080B12MP11	XAHC36D	0.96	1.02	0.94
TM8Y080B12MP11	XAHC42E	0.98	1.03	0.96
TM8Y080B12MP11	XAHC48F	0.99	1.03	0.98
TM8Y080C16MP11	CF/CM/CU36C	0.96	1.01	0.89
TM8Y080C16MP11	CF/CM/CU36D	0.97	1.03	0.90
TM8Y080C16MP11	CF/CM/CU42C	0.98	1.02	0.91
TM8Y080C16MP11	CF/CM/CU42D	0.99	1.03	0.91
TM8Y080C16MP11	CF/CM/CU48C	1.00	1.04	0.91
TM8Y080C16MP11	CF/CM/CU48D	1.00	1.04	0.91
TM8Y080C16MP11	CF/CM/CU60C	1.00	1.03	0.91
TM8Y080C16MP11	CF/CM/CU60D	1.00	1.04	0.91
TM8Y080C16MP11	XAF/XAUC42E	0.99	1.02	0.92
TM8Y080C16MP11	XAF/XAUC48F	1.00	1.02	0.94
TM8Y080C16MP11	XAFC36D	0.96	1.02	0.91
TM8Y080C16MP11	XAFD42E	0.98	1.03	0.91
TM8Y080C16MP11	XAFD48F	0.99	1.02	0.94
TM8Y080C16MP11	XAHC36D	0.96	1.02	0.91
TM8Y080C16MP11	XAHC42E	0.98	1.01	0.93

FURNACE MULTIPLIERS - 3 TON (Continued)

Furnaces	Coil	T.C.	S.C.	kW
TM8Y080C16MP11	XAHC48F	1.00	1.02	0.93
TM8Y080C16MP11	XAHD42E	0.98	1.02	0.91
TM8Y080C16MP11	XAHD48F	0.99	1.02	0.94
TM8Y100C16MP11	CF/CM/CU36C	0.96	1.01	0.89
TM8Y100C16MP11	CF/CM/CU36D	0.97	1.03	0.90
TM8Y100C16MP11	CF/CM/CU42C	0.98	1.02	0.91
TM8Y100C16MP11	CF/CM/CU42D	0.99	1.03	0.91
TM8Y100C16MP11	CF/CM/CU48C	1.00	1.04	0.91
TM8Y100C16MP11	CF/CM/CU48D	1.00	1.04	0.91
TM8Y100C16MP11	CF/CM/CU60C	1.00	1.03	0.91
TM8Y100C16MP11	CF/CM/CU60D	1.00	1.04	0.91
TM8Y100C16MP11	XAF/XAUC42E	0.99	1.02	0.92
TM8Y100C16MP11	XAF/XAUC48F	1.00	1.02	0.94
TM8Y100C16MP11	XAFC36D	0.96	1.02	0.91
TM8Y100C16MP11	XAFD42E	0.98	1.03	0.91
TM8Y100C16MP11	XAFD48F	0.99	1.02	0.94
TM8Y100C16MP11	XAHC36D	0.96	1.02	0.91
TM8Y100C16MP11	XAHC42E	0.98	1.01	0.93
TM8Y100C16MP11	XAHC48F	1.00	1.02	0.93
TM8Y100C16MP11	XAHD42E	0.98	1.02	0.91
TM8Y100C16MP11	XAHD48F	0.99	1.02	0.94
TM8Y100C20MP11	CF/CM/CU36C	0.97	1.05	0.90
TM8Y100C20MP11	CF/CM/CU36D	0.98	1.05	0.91
TM8Y100C20MP11	CF/CM/CU42C	0.99	1.04	0.91
TM8Y100C20MP11	CF/CM/CU42D	1.00	1.05	0.91
TM8Y100C20MP11	CF/CM/CU48C	1.00	1.07	0.91
TM8Y100C20MP11	CF/CM/CU48D	1.00	1.07	0.91
TM8Y100C20MP11	CF/CM/CU60C	1.00	1.05	0.89
TM8Y100C20MP11	CF/CM/CU60D	1.00	1.06	0.89
TM8Y100C20MP11	XAF/XAUC42E	0.99	1.04	0.92
TM8Y100C20MP11	XAF/XAUC48F	1.00	1.03	0.93
TM8Y100C20MP11	XAFC36D	0.96	1.04	0.91
TM8Y100C20MP11	XAFD42E	0.98	1.04	0.91
TM8Y100C20MP11	XAFD48F	0.99	1.03	0.92
TM8Y100C20MP11	XAHC36D	0.96	1.02	0.91
TM8Y100C20MP11	XAHC42E	0.99	1.02	0.92
TM8Y100C20MP11	XAHC48F	1.00	1.03	0.93
TM8Y100C20MP11	XAHD42E	0.98	1.04	0.91
TM8Y100C20MP11	XAHD48F	0.99	1.03	0.92
TM8Y120C20MP11	CF/CM/CU36C	0.97	1.05	0.90
TM8Y120C20MP11	CF/CM/CU36D	0.98	1.05	0.91
TM8Y120C20MP11	CF/CM/CU42C	0.99	1.04	0.91
TM8Y120C20MP11	CF/CM/CU42D	1.00	1.05	0.91
TM8Y120C20MP11	CF/CM/CU48C	1.00	1.07	0.91
TM8Y120C20MP11	CF/CM/CU48D	1.00	1.07	0.91
TM8Y120C20MP11	CF/CM/CU60C	1.00	1.05	0.89
TM8Y120C20MP11	CF/CM/CU60D	1.00	1.06	0.89
TM8Y120C20MP11	XAF/XAUC42E	0.99	1.04	0.92
TM8Y120C20MP11	XAF/XAUC48F	1.00	1.03	0.93
TM8Y120C20MP11	XAFC36D	0.96	1.04	0.91
TM8Y120C20MP11	XAFD42E	0.98	1.04	0.91
TM8Y120C20MP11	XAFD48F	0.99	1.03	0.92
TM8Y120C20MP11	XAHC36D	0.96	1.02	0.91
TM8Y120C20MP11	XAHC42E	0.99	1.02	0.92
TM8Y120C20MP11	XAHC48F	1.00	1.03	0.93

FURNACE MULTIPLIERS - 3 TON (Continued)

Furnaces	Coil	T.C.	S.C.	kW
TM8Y120C20MP11	XAHD42E	0.98	1.04	0.91
TM8Y120C20MP11	XAHD48F	0.99	1.03	0.92
TM9E060A10MP12	CF/CM/CU36B	0.96	0.96	0.98
TM9E060A10MP12	CF42B	0.98	0.98	1.00
TM9E060A10MP12	XAF/XAUB36D	0.96	0.97	0.98
TM9E060A10MP12	XAFB36E	0.98	0.96	1.00
TM9E060A10MP12	XAHB36D	0.96	0.96	0.98
TM9E060B12MP11	CF/CM/CU36B	0.96	0.98	0.98
TM9E060B12MP11	CF/CM/CU36C	0.96	0.95	0.98
TM9E060B12MP11	CF/CM/CU42C	0.98	0.95	0.98
TM9E060B12MP11	CF/CM/CU48C	1.00	0.98	0.98
TM9E060B12MP11	CF/CM/CU60C	1.00	0.97	0.98
TM9E060B12MP11	CF42B	0.98	0.99	0.98
TM9E060B12MP12	CF/CM/CU36B	0.96	0.98	0.98
TM9E060B12MP12	CF/CM/CU36C	0.96	0.98	0.98
TM9E060B12MP12	CF/CM/CU42C	0.98	0.99	0.98
TM9E060B12MP12	CF/CM/CU48C	1.00	1.03	0.98
TM9E060B12MP12	CF/CM/CU60C	1.00	1.01	1.00
TM9E060B12MP12	CF42B	0.98	0.98	0.98
TM9E060B12MP12	XAF/XAUB36D	0.96	0.98	0.98
TM9E060B12MP12	XAF/XAUC42E	0.98	1.00	0.98
TM9E060B12MP12	XAF/XAUC48F	0.99	0.98	0.99
TM9E060B12MP12	XAFB36E	0.98	0.98	0.98
TM9E060B12MP12	XAFC36D	0.96	0.98	0.98
TM9E060B12MP12	XAHB36D	0.96	0.98	0.98
TM9E060B12MP12	XAHC36D	0.96	0.98	0.98
TM9E060B12MP12	XAHC42E	0.98	0.98	0.98
TM9E060B12MP12	XAHC48F	0.99	0.98	0.99
TM9E080B12MP11	CF/CM/CU36B	0.97	1.02	0.94
TM9E080B12MP11	CF42B	0.99	1.03	0.95
TM9E080B12MP12	CF/CM/CU36B	0.96	0.97	0.96
TM9E080B12MP12	CF/CM/CU36C	0.96	0.98	0.94
TM9E080B12MP12	CF/CM/CU42C	0.98	0.99	0.95
TM9E080B12MP12	CF/CM/CU48C	1.00	1.02	0.96
TM9E080B12MP12	CF/CM/CU60C	1.00	1.01	0.96
TM9E080B12MP12	CF42B	0.98	0.97	0.96
TM9E080B12MP12	XAF/XAUB36D	0.96	0.97	0.96
TM9E080B12MP12	XAF/XAUC42E	0.98	0.98	0.95
TM9E080B12MP12	XAF/XAUC48F	0.99	0.98	0.96
TM9E080B12MP12	XAFB36E	0.98	0.97	0.96
TM9E080B12MP12	XAFC36D	0.96	0.97	0.94
TM9E080B12MP12	XAHB36D	0.96	0.96	0.96
TM9E080B12MP12	XAHC36D	0.96	0.97	0.94
TM9E080B12MP12	XAHC42E	0.98	0.97	0.96
TM9E080B12MP12	XAHC48F	0.99	0.98	0.94
TM9E080C16MP11	CF/CM/CU36C	0.96	0.95	0.91
TM9E080C16MP11	CF/CM/CU42C	0.98	0.95	0.93
TM9E080C16MP11	CF/CM/CU48C	1.00	0.98	0.93
TM9E080C16MP11	CF/CM/CU48D	1.00	0.98	0.93
TM9E080C16MP11	CF/CM/CU60C	1.00	0.97	0.93
TM9E080C16MP11	CF/CM/CU60D	1.00	0.98	0.93
TM9E080C16MP11	CF/CM36D	0.96	0.95	0.91
TM9E080C16MP11	CF/CM42D	0.98	0.95	0.91
TM9E080C16MP12	CF/CM/CU36C	0.96	0.98	0.94
TM9E080C16MP12	CF/CM/CU42C	0.98	1.00	0.93

FURNACE MULTIPLIERS - 3 TON (Continued)

Furnaces	Coil	T.C.	S.C.	kW
TM9E080C16MP12	CF/CM/CU48C	1.00	1.03	0.93
TM9E080C16MP12	CF/CM/CU48D	1.00	1.03	0.94
TM9E080C16MP12	CF/CM/CU60C	1.00	1.01	0.94
TM9E080C16MP12	CF/CM/CU60D	1.00	1.01	0.94
TM9E080C16MP12	CF/CM36D	0.96	0.98	0.91
TM9E080C16MP12	CF/CM42D	0.98	0.99	0.93
TM9E080C16MP12	XAF/XAUC42E	0.98	0.98	0.93
TM9E080C16MP12	XAF/XAUC48F	1.00	0.98	0.94
TM9E080C16MP12	XAFC36D	0.96	0.98	0.94
TM9E080C16MP12	XAFD42E	0.98	0.98	0.93
TM9E080C16MP12	XAFD48F	0.99	0.98	0.94
TM9E080C16MP12	XAHC36D	0.96	0.98	0.94
TM9E080C16MP12	XAHC42E	0.98	0.98	0.93
TM9E080C16MP12	XAHC48F	1.00	0.98	0.94
TM9E080C16MP12	XAHD42E	0.98	0.98	0.93
TM9E080C16MP12	XAHD48F	0.99	0.98	0.94
TM9E080C20MP12	CF/CM/CU36C	0.96	1.03	0.91
TM9E080C20MP12	CF/CM/CU42C	0.98	1.03	0.91
TM9E080C20MP12	CF/CM/CU48C	1.00	1.06	0.93
TM9E080C20MP12	CF/CM/CU48D	1.00	1.07	0.93
TM9E080C20MP12	CF/CM/CU60C	1.00	1.04	0.93
TM9E080C20MP12	CF/CM/CU60D	1.00	1.06	0.93
TM9E080C20MP12	CF/CM36D	0.96	1.03	0.91
TM9E080C20MP12	CF/CM42D	0.98	1.03	0.90
TM9E080C20MP12	XAF/XAUC42E	0.98	1.04	0.91
TM9E080C20MP12	XAF/XAUC48F	1.00	1.03	0.94
TM9E080C20MP12	XAFC36D	0.96	1.04	0.91
TM9E080C20MP12	XAFD42E	0.98	1.05	0.91
TM9E080C20MP12	XAFD48F	0.99	1.05	0.92
TM9E080C20MP12	XAHC36D	0.96	1.02	0.91
TM9E080C20MP12	XAHC42E	0.98	1.02	0.93
TM9E080C20MP12	XAHC48F	1.00	1.05	0.93
TM9E080C20MP12	XAHD42E	0.98	1.04	0.91
TM9E080C20MP12	XAHD48F	0.99	1.03	0.94
TM9E100C16MP11	CF/CM/CU36C	0.96	1.01	0.91
TM9E100C16MP11	CF/CM/CU36D	0.97	1.03	0.92
TM9E100C16MP11	CF/CM/CU42C	0.98	1.02	0.91
TM9E100C16MP11	CF/CM/CU42D	1.00	1.03	0.93
TM9E100C16MP11	CF/CM/CU48C	1.00	1.04	0.93
TM9E100C16MP11	CF/CM/CU48D	1.00	1.06	0.91
TM9E100C16MP11	CF/CM/CU60C	1.00	1.03	0.91
TM9E100C16MP11	CF/CM/CU60D	1.00	1.04	0.91
TM9E100C16MP12	CF/CM/CU36C	0.96	0.98	0.91
TM9E100C16MP12	CF/CM/CU42C	0.98	1.00	0.91
TM9E100C16MP12	CF/CM/CU48C	1.00	1.02	0.93
TM9E100C16MP12	CF/CM/CU48D	1.00	1.02	0.93
TM9E100C16MP12	CF/CM/CU60C	1.00	1.01	0.93
TM9E100C16MP12	CF/CM/CU60D	1.00	1.01	0.94
TM9E100C16MP12	CF/CM36D	0.96	0.98	0.91
TM9E100C16MP12	CF/CM42D	0.98	0.99	0.91
TM9E100C16MP12	XAF/XAUC42E	0.98	0.98	0.93
TM9E100C16MP12	XAF/XAUC48F	1.00	0.98	0.94
TM9E100C16MP12	XAFC36D	0.96	0.98	0.91
TM9E100C16MP12	XAFD42E	0.98	0.98	0.91
TM9E100C16MP12	XAFD48F	0.99	0.98	0.93

FURNACE MULTIPLIERS - 3 TON (Continued)

Furnaces	Coil	T.C.	S.C.	kW
TM9E100C16MP12	XAHC36D	0.96	0.98	0.91
TM9E100C16MP12	XAHC42E	0.98	0.98	0.93
TM9E100C16MP12	XAHC48F	1.00	0.98	0.93
TM9E100C16MP12	XAHD42E	0.98	0.98	0.93
TM9E100C16MP12	XAHD48F	0.99	0.98	0.94
TM9E100C20MP11	CF/CM/CU36C	0.98	1.03	0.91
TM9E100C20MP11	CF/CM/CU36D	0.98	1.04	0.91
TM9E100C20MP11	CF/CM/CU42C	1.00	1.03	0.93
TM9E100C20MP11	CF/CM/CU42D	1.00	1.05	0.93
TM9E100C20MP11	CF/CM/CU48C	1.00	1.06	0.91
TM9E100C20MP11	CF/CM/CU48D	1.00	1.06	0.91
TM9E100C20MP11	CF/CM/CU60C	1.00	1.04	0.91
TM9E100C20MP11	CF/CM/CU60D	1.00	1.05	0.91
TM9E100C20MP12	CF/CM/CU36C	0.96	1.02	0.91
TM9E100C20MP12	CF/CM/CU42C	0.98	1.03	0.91
TM9E100C20MP12	CF/CM/CU48C	1.00	1.06	0.93
TM9E100C20MP12	CF/CM/CU48D	1.00	1.06	0.93
TM9E100C20MP12	CF/CM/CU60C	1.00	1.04	0.91
TM9E100C20MP12	CF/CM/CU60D	1.00	1.06	0.93
TM9E100C20MP12	CF/CM36D	0.96	1.03	0.91
TM9E100C20MP12	CF/CM42D	0.98	1.03	0.91
TM9E100C20MP12	XAF/XAUC42E	0.98	1.04	0.91
TM9E100C20MP12	XAF/XAUC48F	1.00	1.02	0.94
TM9E100C20MP12	XAFC36D	0.96	1.02	0.91
TM9E100C20MP12	XAFD42E	0.98	1.04	0.91
TM9E100C20MP12	XAFD48F	0.99	1.03	0.92
TM9E100C20MP12	XAHC36D	0.96	1.02	0.91
TM9E100C20MP12	XAHC42E	0.98	1.02	0.93
TM9E100C20MP12	XAHC48F	1.00	1.03	0.93
TM9E100C20MP12	XAHD42E	0.98	1.02	0.91
TM9E100C20MP12	XAHD48F	0.99	1.03	0.92
TM9E120D20MP11	CF/CM/CU36D	0.99	1.06	0.90
TM9E120D20MP11	CF/CM/CU42D	1.00	1.05	0.91
TM9E120D20MP11	CF/CM/CU48D	1.00	1.07	0.91
TM9E120D20MP11	CF/CM/CU60D	1.00	1.06	0.89
TM9E120D20MP12	CF/CM/CU48D	1.00	1.07	0.93
TM9E120D20MP12	CF/CM/CU60D	1.00	1.05	0.93
TM9E120D20MP12	CF/CM36D	0.96	1.03	0.91
TM9E120D20MP12	CF/CM42D	0.98	1.03	0.91
TM9E120D20MP12	XAFD42E	0.98	1.05	0.91
TM9E120D20MP12	XAFD48F	1.00	1.04	0.95
TM9E120D20MP12	XAHD42E	0.98	1.04	0.93
TM9E120D20MP12	XAHD48F	1.00	1.03	0.94
TM9V060B12MP11C	CF/CM/CU36B	0.96	0.95	0.96
TM9V060B12MP11C	CF/CM/CU36C	0.96	0.95	0.98
TM9V060B12MP11C	CF/CM/CU42C	0.98	0.96	0.96
TM9V060B12MP11C	CF/CM/CU48C	1.00	0.99	0.98
TM9V060B12MP11C	CF/CM/CU60C	1.00	0.98	0.98
TM9V060B12MP11C	CF42B	0.98	0.96	0.96
TM9V060B12MP12C	CF/CM/CU36B	0.96	0.95	0.96
TM9V060B12MP12C	CF/CM/CU36C	0.96	0.95	0.98
TM9V060B12MP12C	CF/CM/CU42C	0.98	0.96	0.96
TM9V060B12MP12C	CF/CM/CU48C	1.00	0.99	0.98
TM9V060B12MP12C	CF/CM/CU60C	1.00	0.98	0.98
TM9V060B12MP12C	CF42B	0.98	0.96	0.96

FURNACE MULTIPLIERS - 3 TON (Continued)

Furnaces	Coil	T.C.	S.C.	kW
TM9V060B12MP12C	XAF/XAUB36D	0.96	0.96	0.96
TM9V060B12MP12C	XAF/XAUC42E	0.98	0.96	0.98
TM9V060B12MP12C	XAF/XAUC48F	0.99	0.95	0.99
TM9V060B12MP12C	XAFB36E	0.98	0.97	0.98
TM9V060B12MP12C	XAFC36D	0.96	0.96	0.98
TM9V060B12MP12C	XAHB36D	0.96	0.98	0.96
TM9V060B12MP12C	XAHC36D	0.96	0.97	0.98
TM9V060B12MP12C	XAHC42E	0.98	0.97	0.98
TM9V060B12MP12C	XAHC48F	0.99	0.95	0.98
TM9V080B12MP12C	CF/CM/CU36B	0.97	1.02	0.93
TM9V080B12MP12C	CF42B	0.98	1.00	0.95
TM9V080B12MP12C	XAF/XAUB36D	0.96	0.99	0.94
TM9V080B12MP12C	XAF/XAUC42E	0.98	0.99	0.96
TM9V080B12MP12C	XAF/XAUC48F	0.99	0.98	0.96
TM9V080B12MP12C	XAFB36E	0.98	0.99	0.96
TM9V080B12MP12C	XAFC36D	0.96	0.99	0.94
TM9V080B12MP12C	XAHB36D	0.97	0.99	0.97
TM9V080B12MP12C	XAHC36D	0.96	0.99	0.94
TM9V080B12MP12C	XAHC42E	0.98	0.99	0.96
TM9V080B12MP12C	XAHC48F	0.99	0.98	0.96
TM9V080C16MP12C	CF/CM/CU36C	0.97	0.95	0.92
TM9V080C16MP12C	CF/CM/CU42C	0.99	0.95	0.92
TM9V080C16MP12C	CF/CM/CU48C	1.00	0.97	0.93
TM9V080C16MP12C	CF/CM/CU48D	1.00	0.97	0.93
TM9V080C16MP12C	CF/CM/CU60C	1.00	0.95	0.94
TM9V080C16MP12C	CF/CM/CU60D	1.00	0.95	0.94
TM9V080C16MP12C	CF/CM36D	0.97	0.95	0.92
TM9V080C16MP12C	CF/CM42D	0.99	0.95	0.92
TM9V080C16MP12C	XAF/XAUC42E	0.99	0.98	0.93
TM9V080C16MP12C	XAF/XAUC48F	1.00	0.96	0.94
TM9V080C16MP12C	XAFC36D	0.97	0.97	0.92
TM9V080C16MP12C	XAFD42E	0.99	0.98	0.93
TM9V080C16MP12C	XAFD48F	0.99	0.96	0.94
TM9V080C16MP12C	XAHC36D	0.97	0.97	0.94
TM9V080C16MP12C	XAHC42E	0.99	0.97	0.95
TM9V080C16MP12C	XAHC48F	1.00	0.96	0.94
TM9V080C16MP12C	XAHD42E	0.99	0.97	0.95
TM9V080C16MP12C	XAHD48F	0.99	0.96	0.94
TM9V100C16MP12C	CF/CM/CU36C	0.98	1.04	0.91
TM9V100C16MP12C	CF/CM/CU36D	1.00	1.06	0.93
TM9V100C16MP12C	CF/CM/CU42C	1.00	1.03	0.93
TM9V100C16MP12C	CF/CM/CU42D	1.00	1.03	0.91
TM9V100C16MP12C	CF/CM/CU48C	1.00	1.06	0.93
TM9V100C16MP12C	CF/CM/CU48D	1.00	1.06	0.91
TM9V100C16MP12C	CF/CM/CU60C	1.00	1.04	0.91
TM9V100C16MP12C	CF/CM/CU60D	1.00	1.04	0.91
TM9V100C16MP12C	XAF/XAUC42E	1.00	1.01	0.94
TM9V100C16MP12C	XAF/XAUC48F	1.00	0.95	0.92
TM9V100C16MP12C	XAFC36D	0.98	0.96	0.93
TM9V100C16MP12C	XAFD42E	0.99	1.01	0.94
TM9V100C16MP12C	XAFD48F	0.99	0.95	0.92
TM9V100C16MP12C	XAHC36D	0.98	0.96	0.93
TM9V100C16MP12C	XAHC42E	1.00	0.96	0.94
TM9V100C16MP12C	XAHC48F	1.00	0.95	0.93
TM9V100C16MP12C	XAHD42E	0.99	1.01	0.94

FURNACE MULTIPLIERS - 3 TON (Continued)

Furnaces	Coil	T.C.	S.C.	kW
TM9V100C16MP12C	XAHD48F	0.99	0.95	0.92
TM9V100C20MP12C	CF/CM/CU36C	0.98	1.05	0.92
TM9V100C20MP12C	CF/CM/CU36D	1.00	1.07	0.93
TM9V100C20MP12C	CF/CM/CU42C	0.98	1.04	0.93
TM9V100C20MP12C	CF/CM/CU42D	1.00	1.05	0.91
TM9V100C20MP12C	CF/CM/CU48C	1.00	1.07	0.94
TM9V100C20MP12C	CF/CM/CU48D	1.00	1.07	0.93
TM9V100C20MP12C	CF/CM/CU60C	1.00	1.05	0.94
TM9V100C20MP12C	CF/CM/CU60D	1.00	1.05	0.91
TM9V100C20MP12C	XAF/XAUC42E	0.98	1.01	0.93
TM9V100C20MP12C	XAF/XAUC48F	1.00	0.99	0.94
TM9V100C20MP12C	XAFC36D	0.98	1.00	0.96
TM9V100C20MP12C	XAFD42E	0.99	1.01	0.94
TM9V100C20MP12C	XAFD48F	0.99	0.99	0.94
TM9V100C20MP12C	XAHC36D	0.98	1.02	0.96
TM9V100C20MP12C	XAHC42E	0.98	1.02	0.93
TM9V100C20MP12C	XAHC48F	1.00	0.99	0.94
TM9V100C20MP12C	XAHD42E	0.99	1.01	0.94
TM9V100C20MP12C	XAHD48F	0.99	0.99	0.94
TM9V120D20MP12C	CF/CM/CU36D	0.96	1.02	0.86
TM9V120D20MP12C	CF/CM/CU42D	0.99	1.04	0.92
TM9V120D20MP12C	CF/CM/CU48D	1.00	1.06	0.93
TM9V120D20MP12C	CF/CM/CU60D	1.00	1.05	0.91
TM9V120D20MP12C	XAFD42E	0.99	0.98	0.92
TM9V120D20MP12C	XAFD48F	1.00	0.98	0.93
TM9V120D20MP12C	XAHD42E	0.99	0.98	0.92
TM9V120D20MP12C	XAHD48F	1.00	0.98	0.93
TM9V060B12MP11	CF/CM/CU36B	0.96	0.98	0.98
TM9V060B12MP11	CF/CM/CU36C	0.96	0.95	0.98
TM9V060B12MP11	CF/CM/CU42C	0.98	0.95	0.98
TM9V060B12MP11	CF/CM/CU48C	1.00	0.98	0.98
TM9V060B12MP11	CF/CM/CU60C	1.00	0.97	0.98
TM9V060B12MP11	CF42B	0.98	0.99	0.98
TM9V060B12MP11	XAF/XAUB36D	0.96	1.01	0.96
TM9V060B12MP11	XAF/XAUC42E	0.98	1.01	0.98
TM9V060B12MP11	XAF/XAUC48F	0.99	1.00	0.99
TM9V060B12MP11	XAFB36E	0.98	1.01	0.98
TM9V060B12MP11	XAFC36D	0.96	1.01	0.98
TM9V060B12MP11	XAHB36D	0.96	0.98	0.98
TM9V060B12MP11	XAHC36D	0.96	1.01	0.98
TM9V060B12MP11	XAHC42E	0.98	1.01	0.98
TM9V060B12MP11	XAHC48F	0.99	1.00	0.99
TM9V080B12MP11	CF/CM/CU36B	0.97	1.02	0.94
TM9V080B12MP11	CF42B	0.99	1.03	0.95
TM9V080B12MP11	XAF/XAUB36D	0.96	1.02	0.96
TM9V080B12MP11	XAF/XAUC42E	0.98	1.03	0.98
TM9V080B12MP11	XAF/XAUC48F	0.99	1.02	0.99
TM9V080B12MP11	XAFB36E	0.98	1.02	0.98
TM9V080B12MP11	XAFC36D	0.96	1.02	0.96
TM9V080B12MP11	XAHB36D	0.96	1.01	0.96
TM9V080B12MP11	XAHC36D	0.96	1.02	0.96
TM9V080B12MP11	XAHC42E	0.98	1.02	0.98
TM9V080B12MP11	XAHC48F	0.99	0.95	0.94
TM9V080C16MP11	CF/CM/CU36C	0.96	0.95	0.91
TM9V080C16MP11	CF/CM/CU42C	0.98	0.95	0.93

FURNACE MULTIPLIERS - 3 TON (Continued)

Furnaces	Coil	T.C.	S.C.	kW
TM9Y080C16MP11	CF/CM/CU48C	1.00	0.98	0.93
TM9Y080C16MP11	CF/CM/CU48D	1.00	0.98	0.93
TM9Y080C16MP11	CF/CM/CU60C	1.00	0.97	0.93
TM9Y080C16MP11	CF/CM/CU60D	1.00	0.98	0.93
TM9Y080C16MP11	CF/CM36D	0.96	0.95	0.91
TM9Y080C16MP11	CF/CM42D	0.98	0.95	0.91
TM9Y080C16MP11	XAF/XAUC42E	0.98	1.00	0.93
TM9Y080C16MP11	XAF/XAUC48F	1.00	1.01	0.94
TM9Y080C16MP11	XAFC36D	0.96	1.00	0.94
TM9Y080C16MP11	XAFD42E	0.98	1.01	0.93
TM9Y080C16MP11	XAFD48F	0.99	1.01	0.94
TM9Y080C16MP11	XAHC36D	0.97	0.99	0.95
TM9Y080C16MP11	XAHC42E	0.98	1.00	0.95
TM9Y080C16MP11	XAHC48F	1.00	1.01	0.95
TM9Y080C16MP11	XAHD42E	0.98	1.00	0.93
TM9Y080C16MP11	XAHD48F	0.99	1.01	0.94
TM9Y100C16MP11	CF/CM/CU36C	0.96	1.01	0.91
TM9Y100C16MP11	CF/CM/CU36D	0.97	1.03	0.92
TM9Y100C16MP11	CF/CM/CU42C	0.98	1.02	0.91
TM9Y100C16MP11	CF/CM/CU42D	1.00	1.03	0.93
TM9Y100C16MP11	CF/CM/CU48C	1.00	1.04	0.93
TM9Y100C16MP11	CF/CM/CU48D	1.00	1.06	0.91
TM9Y100C16MP11	CF/CM/CU60C	1.00	1.03	0.91
TM9Y100C16MP11	CF/CM/CU60D	1.00	1.04	0.91
TM9Y100C16MP11	XAF/XAUC42E	0.98	1.01	0.93
TM9Y100C16MP11	XAF/XAUC48F	1.00	1.01	0.94
TM9Y100C16MP11	XAFC36D	0.96	1.00	0.91
TM9Y100C16MP11	XAFD42E	0.98	1.02	0.93
TM9Y100C16MP11	XAFD48F	0.99	1.01	0.94
TM9Y100C16MP11	XAHC36D	0.96	0.99	0.91
TM9Y100C16MP11	XAHC42E	0.98	1.00	0.93
TM9Y100C16MP11	XAHC48F	1.00	1.01	0.94
TM9Y100C16MP11	XAHD42E	0.98	1.01	0.93
TM9Y100C16MP11	XAHD48F	0.99	1.01	0.94
TM9Y100C20MP11	CF/CM/CU36C	0.98	1.03	0.91
TM9Y100C20MP11	CF/CM/CU36D	0.98	1.04	0.91
TM9Y100C20MP11	CF/CM/CU42C	1.00	1.03	0.93
TM9Y100C20MP11	CF/CM/CU42D	1.00	1.05	0.93
TM9Y100C20MP11	CF/CM/CU48C	1.00	1.06	0.91
TM9Y100C20MP11	CF/CM/CU48D	1.00	1.06	0.91
TM9Y100C20MP11	CF/CM/CU60C	1.00	1.04	0.91
TM9Y100C20MP11	CF/CM/CU60D	1.00	1.05	0.91
TM9Y100C20MP11	XAF/XAUC42E	0.98	1.02	0.93
TM9Y100C20MP11	XAF/XAUC48F	1.00	1.01	0.94
TM9Y100C20MP11	XAFC36D	0.96	1.02	0.91
TM9Y100C20MP11	XAFD42E	0.98	1.02	0.93
TM9Y100C20MP11	XAFD48F	0.99	1.01	0.94
TM9Y100C20MP11	XAHC36D	0.96	1.00	0.91
TM9Y100C20MP11	XAHC42E	0.98	1.01	0.93
TM9Y100C20MP11	XAHC48F	1.00	1.01	0.94
TM9Y100C20MP11	XAHD42E	0.98	1.02	0.93
TM9Y100C20MP11	XAHD48F	0.99	1.01	0.94
TM9Y120D20MP11	CF/CM/CU36D	0.99	1.06	0.90
TM9Y120D20MP11	CF/CM/CU42D	1.00	1.05	0.91
TM9Y120D20MP11	CF/CM/CU48D	1.00	1.07	0.91

FURNACE MULTIPLIERS - 3 TON (Continued)

Furnaces	Coil	T.C.	S.C.	kW
TM9Y120D20MP11	CF/CM/CU60D	1.00	1.06	0.89
TM9Y120D20MP11	XAFD42E	0.98	1.05	0.91
TM9Y120D20MP11	XAFD48F	1.00	1.04	0.93
TM9Y120D20MP11	XAHD42E	0.98	1.04	0.93
TM9Y120D20MP11	XAHD48F	1.00	1.04	0.93
TMLE040A12MP11	XAF/XAUB36D	0.96	0.96	0.94
TMLE040A12MP11	XAFB36E	0.98	0.96	0.96
TMLE040A12MP11	XAHB36D	0.96	1.02	0.96
TMLE060A12MP11	XAF/XAUB36D	0.96	0.96	0.94
TMLE060A12MP11	XAFB36E	0.98	0.96	0.96
TMLE060A12MP11	XAHB36D	0.96	1.03	0.96
TMLE080B12MP11	XAF/XAUB36D	0.96	0.96	0.94
TMLE080B12MP11	XAF/XAUC42E	0.98	0.98	0.93
TMLE080B12MP11	XAF/XAUC48F	0.99	0.96	0.94
TMLE080B12MP11	XAFB36E	0.98	0.96	0.96
TMLE080B12MP11	XAFC36D	0.96	0.96	0.94
TMLE080B12MP11	XAHB36D	0.96	1.02	0.96
TMLE080B12MP11	XAHC36D	0.96	0.96	0.94
TMLE080B12MP11	XAHC42E	0.98	0.96	0.95
TMLE080B12MP11	XAHC48F	0.99	0.98	0.94
TMLE080C16MP11	XAF/XAUC42E	0.98	0.98	0.91
TMLE080C16MP11	XAF/XAUC48F	1.00	0.98	0.93
TMLE080C16MP11	XAFC36D	0.96	0.98	0.91
TMLE080C16MP11	XAFD42E	0.98	0.98	0.91
TMLE080C16MP11	XAFD48F	0.99	0.98	0.92
TMLE080C16MP11	XAHC36D	0.96	0.98	0.91
TMLE080C16MP11	XAHC42E	0.98	0.98	0.93
TMLE080C16MP11	XAHC48F	1.00	0.98	0.93
TMLE080C16MP11	XAHD42E	0.98	0.98	0.91
TMLE080C16MP11	XAHD48F	0.99	0.98	0.92
TMLE080C20MP11	XAF/XAUC42E	0.98	1.05	0.91
TMLE080C20MP11	XAF/XAUC48F	1.00	1.04	0.93
TMLE080C20MP11	XAFC36D	0.96	1.04	0.91
TMLE080C20MP11	XAFD42E	0.98	1.05	0.91
TMLE080C20MP11	XAFD48F	0.99	1.04	0.92
TMLE080C20MP11	XAHC36D	0.96	1.03	0.91
TMLE080C20MP11	XAHC42E	0.98	1.04	0.93
TMLE080C20MP11	XAHC48F	1.00	1.04	0.93
TMLE080C20MP11	XAHD42E	0.98	1.05	0.91
TMLE080C20MP11	XAHD48F	0.99	1.04	0.92
TMLE100B12MP11	XAF/XAUB36D	0.96	0.98	0.94
TMLE100B12MP11	XAF/XAUC42E	0.98	1.00	0.93
TMLE100B12MP11	XAF/XAUC48F	0.99	0.98	0.94
TMLE100B12MP11	XAFB36E	0.98	0.98	0.96
TMLE100B12MP11	XAFC36D	0.96	0.98	0.94
TMLE100B12MP11	XAHB36D	0.96	0.98	0.94
TMLE100B12MP11	XAHC36D	0.96	0.98	0.94
TMLE100B12MP11	XAHC42E	0.98	0.98	0.95
TMLE100B12MP11	XAHC48F	0.99	0.98	0.94
TMLE100C16MP11	XAF/XAUC42E	0.98	0.99	0.91
TMLE100C16MP11	XAF/XAUC48F	1.00	0.98	0.93
TMLE100C16MP11	XAFC36D	0.96	0.99	0.91
TMLE100C16MP11	XAFD42E	0.98	1.00	0.91
TMLE100C16MP11	XAFD48F	0.99	0.99	0.92
TMLE100C16MP11	XAHC36D	0.96	0.98	0.91

FURNACE MULTIPLIERS - 3 TON (Continued)

Furnaces	Coil	T.C.	S.C.	kW
TMLE100C16MP11	XAHC42E	0.98	0.98	0.93
TMLE100C16MP11	XAHC48F	1.00	0.99	0.93
TMLE100C16MP11	XAHD42E	0.98	0.98	0.93
TMLE100C16MP11	XAHD48F	0.99	0.99	0.93
TMLE100C20MP11	XAF/XAUC42E	0.98	1.05	0.91
TMLE100C20MP11	XAF/XAUC48F	1.00	1.04	0.94
TMLE100C20MP11	XAFC36D	0.96	1.05	0.91
TMLE100C20MP11	XAFD42E	0.98	1.05	0.91
TMLE100C20MP11	XAFD48F	0.99	1.04	0.92
TMLE100C20MP11	XAHC36D	0.96	1.03	0.91
TMLE100C20MP11	XAHC42E	0.98	1.04	0.93
TMLE100C20MP11	XAHC48F	1.00	1.04	0.93
TMLE100C20MP11	XAHD42E	0.98	1.05	0.91
TMLE100C20MP11	XAHD48F	0.99	1.04	0.92
TMLE120C16MP11	XAF/XAUC42E	0.98	1.00	0.91
TMLE120C16MP11	XAF/XAUC48F	1.00	0.99	0.93
TMLE120C16MP11	XAFC36D	0.96	0.99	0.91
TMLE120C16MP11	XAFD42E	0.98	1.00	0.91
TMLE120C16MP11	XAFD48F	0.99	0.99	0.92
TMLE120C16MP11	XAHC36D	0.96	0.98	0.91
TMLE120C16MP11	XAHC42E	0.98	0.98	0.93
TMLE120C16MP11	XAHC48F	1.00	0.99	0.93
TMLE120C16MP11	XAHD42E	0.98	0.99	0.91
TMLE120C16MP11	XAHD48F	0.99	0.99	0.92
TMLE120C20MP11	XAF/XAUC42E	0.98	1.06	0.91
TMLE120C20MP11	XAF/XAUC48F	1.00	1.05	0.95
TMLE120C20MP11	XAFC36D	0.96	1.05	0.92
TMLE120C20MP11	XAFD42E	0.98	1.06	0.91
TMLE120C20MP11	XAFD48F	0.99	1.05	0.95
TMLE120C20MP11	XAHC36D	0.96	1.05	0.92
TMLE120C20MP11	XAHC42E	0.98	1.05	0.93
TMLE120C20MP11	XAHC48F	1.00	1.05	0.95
TMLE120C20MP11	XAHD42E	0.98	1.05	0.93
TMLE120C20MP11	XAHD48F	0.99	1.05	0.95
TMLE130D20MP11	XAFD42E	0.98	1.06	0.91
TMLE130D20MP11	XAFD48F	1.00	1.05	0.93
TMLE130D20MP11	XAHD42E	0.98	1.05	0.91
TMLE130D20MP11	XAHD48F	1.00	1.05	0.95
TMLV060A12MP12C	XAF/XAUB36D	0.96	0.98	0.94
TMLV060A12MP12C	XAFB36E	0.98	0.98	0.96
TMLV060A12MP12C	XAHB36D	0.96	0.98	0.96
TMLV080C16MP12C	CF/CM/CU36C	0.96	1.01	0.91
TMLV080C16MP12C	CF/CM/CU36D	1.00	1.05	0.93
TMLV080C16MP12C	CF/CM/CU42C	1.00	1.05	0.94
TMLV080C16MP12C	CF/CM/CU42D	1.00	1.05	0.93
TMLV080C16MP12C	CF/CM/CU48C	1.00	1.04	0.93
TMLV080C16MP12C	CF/CM/CU48D	1.00	1.04	0.93
TMLV080C16MP12C	CF/CM/CU60C	1.00	1.05	0.93
TMLV080C16MP12C	CF/CM/CU60D	1.00	1.05	0.91
TMLV100C16MP12C	CF/CM/CU36C	0.96	1.01	0.91
TMLV100C16MP12C	CF/CM/CU36D	1.00	1.05	0.93
TMLV100C16MP12C	CF/CM/CU42C	1.00	1.05	0.94
TMLV100C16MP12C	CF/CM/CU42D	1.00	1.05	0.93
TMLV100C16MP12C	CF/CM/CU48C	1.00	1.04	0.93
TMLV100C16MP12C	CF/CM/CU48D	1.00	1.04	0.93
TMLV100C16MP12C	CF/CM/CU60C	1.00	1.05	0.93
TMLV100C16MP12C	CF/CM/CU60D	1.00	1.04	0.91
TMLX100C16MP11	CF/CM/CU36C	0.96	1.01	0.89
TMLX100C16MP11	CF/CM/CU36D	0.97	1.03	0.90
TMLX100C16MP11	CF/CM/CU42C	0.98	1.02	0.91
TMLX100C16MP11	CF/CM/CU42D	0.99	1.03	0.91
TMLX100C16MP11	CF/CM/CU48C	1.00	1.04	0.91
TMLX100C16MP11	CF/CM/CU48D	1.00	1.04	0.91

FURNACE MULTIPLIERS - 3 TON (Continued)

Furnaces	Coil	T.C.	S.C.	kW
TMLV100C16MP12C	CF/CM/CU60C	1.00	1.05	0.93
TMLV100C16MP12C	CF/CM/CU60D	1.00	1.05	0.91
TMLV100C16MP12C	XAF/XAUC42E	1.00	0.98	0.94
TMLV100C16MP12C	XAF/XAUC48F	1.00	0.98	0.94
TMLV100C16MP12C	XAFC36D	0.96	0.98	0.91
TMLV100C16MP12C	XAFD42E	0.99	0.98	0.94
TMLV100C16MP12C	XAFD48F	0.99	0.98	0.93
TMLV100C16MP12C	XAHC36D	0.96	0.98	0.91
TMLV100C16MP12C	XAHC42E	1.00	0.98	0.94
TMLV100C16MP12C	XAHC48F	1.00	0.98	0.93
TMLV100C16MP12C	XAHD42E	0.99	0.98	0.94
TMLV100C16MP12C	XAHD48F	0.99	0.98	0.94
TMLV100C20MP12C	CF/CM/CU36C	0.97	1.02	0.91
TMLV100C20MP12C	CF/CM/CU36D	1.00	1.05	0.91
TMLV100C20MP12C	CF/CM/CU42C	1.00	1.05	0.94
TMLV100C20MP12C	CF/CM/CU42D	1.00	1.05	0.91
TMLV100C20MP12C	CF/CM/CU48C	1.00	1.04	0.93
TMLV100C20MP12C	CF/CM/CU48D	1.00	1.07	0.89
TMLV100C20MP12C	CF/CM/CU60C	1.00	1.05	0.93
TMLV100C20MP12C	CF/CM/CU60D	1.00	1.05	0.91
TMLV120C20MP12C	CF/CM/CU36C	0.97	1.02	0.91
TMLV120C20MP12C	CF/CM/CU36D	1.00	1.05	0.91
TMLV120C20MP12C	CF/CM/CU42C	1.00	1.05	0.94
TMLV120C20MP12C	CF/CM/CU42D	1.00	1.05	0.91
TMLV120C20MP12C	CF/CM/CU48C	1.00	1.04	0.93
TMLV120C20MP12C	CF/CM/CU48D	1.00	1.07	0.89
TMLV120C20MP12C	CF/CM/CU60C	1.00	1.05	0.93
TMLV120C20MP12C	CF/CM/CU60D	1.00	1.05	0.91
TMLV120C20MP12C	XAF/XAUC42E	1.00	1.03	0.94
TMLV120C20MP12C	XAF/XAUC48F	1.00	1.02	0.93
TMLV120C20MP12C	XAFC36D	0.97	1.02	0.91
TMLV120C20MP12C	XAFD42E	0.99	1.03	0.92
TMLV120C20MP12C	XAFD48F	0.99	1.02	0.92
TMLV120C20MP12C	XAHC36D	0.97	1.02	0.91
TMLV120C20MP12C	XAHC42E	1.00	1.02	0.94
TMLV120C20MP12C	XAHC48F	1.00	1.02	0.93
TMLV120C20MP12C	XAHD42E	0.99	1.02	0.94
TMLV120C20MP12C	XAHD48F	0.99	1.02	0.92
TMLX060A12MP11	CF/CM36A	0.96	0.99	0.96
TMLX080B12MP11	CF/CM/CU36B	0.98	1.04	0.92
TMLX080B12MP11	CF42B	0.99	1.03	0.95
TMLX080C16MP11	CF/CM/CU36C	0.96	1.01	0.89
TMLX080C16MP11	CF/CM/CU36D	0.97	1.03	0.90
TMLX080C16MP11	CF/CM/CU42C	0.98	1.02	0.91
TMLX080C16MP11	CF/CM/CU42D	0.99	1.03	0.91
TMLX080C16MP11	CF/CM/CU48C	1.00	1.04	0.91
TMLX080C16MP11	CF/CM/CU48D	1.00	1.04	0.91
TMLX080C16MP11	CF/CM/CU60C	1.00	1.03	0.91
TMLX080C16MP11	CF/CM/CU60D	1.00	1.04	0.91
TMLX100C16MP11	CF/CM/CU36C	0.96	1.01	0.89
TMLX100C16MP11	CF/CM/CU36D	0.97	1.03	0.90
TMLX100C16MP11	CF/CM/CU42C	0.98	1.02	0.91
TMLX100C16MP11	CF/CM/CU42D	0.99	1.03	0.91
TMLX100C16MP11	CF/CM/CU48C	1.00	1.04	0.91
TMLX100C16MP11	CF/CM/CU48D	1.00	1.04	0.91

FURNACE MULTIPLIERS - 3 TON (Continued)

Furnaces	Coil	T.C.	S.C.	kW
TMLX100C16MP11	CF/CM/CU60C	1.00	1.03	0.91
TMLX100C16MP11	CF/CM/CU60D	1.00	1.04	0.91
TMLX100C20MP11	CF/CM/CU36C	0.97	1.05	0.90
TMLX100C20MP11	CF/CM/CU36D	0.98	1.05	0.91
TMLX100C20MP11	CF/CM/CU42C	0.99	1.04	0.91
TMLX100C20MP11	CF/CM/CU42D	1.00	1.05	0.91
TMLX100C20MP11	CF/CM/CU48C	1.00	1.07	0.91
TMLX100C20MP11	CF/CM/CU48D	1.00	1.07	0.91
TMLX100C20MP11	CF/CM/CU60C	1.00	1.05	0.89
TMLX100C20MP11	CF/CM/CU60D	1.00	1.06	0.89
TMLX120C20MP11	CF/CM/CU36C	0.97	1.05	0.90
TMLX120C20MP11	CF/CM/CU36D	0.98	1.05	0.91
TMLX120C20MP11	CF/CM/CU42C	0.99	1.04	0.91
TMLX120C20MP11	CF/CM/CU42D	1.00	1.05	0.91
TMLX120C20MP11	CF/CM/CU48C	1.00	1.07	0.91
TMLX120C20MP11	CF/CM/CU48D	1.00	1.07	0.91
TMLX120C20MP11	CF/CM/CU60C	1.00	1.05	0.89
TMLX120C20MP11	CF/CM/CU60D	1.00	1.06	0.89
TP9C060B12MP13C	CF/CM/CU36B	0.96	0.95	0.96
TP9C060B12MP13C	CF/CM/CU36C	0.96	0.95	0.98
TP9C060B12MP13C	CF/CM/CU42C	0.98	0.96	0.96
TP9C060B12MP13C	CF/CM/CU48C	1.00	0.99	0.98
TP9C060B12MP13C	CF/CM/CU60C	1.00	0.98	0.98
TP9C060B12MP13C	CF42B	0.98	0.96	0.96
TP9C060B12MP13C	XAF/XAUB36D	0.96	0.96	0.96
TP9C060B12MP13C	XAF/XAUC42E	0.98	0.96	0.98
TP9C060B12MP13C	XAF/XAUC48F	0.99	0.95	0.99
TP9C060B12MP13C	XAFB36E	0.98	0.97	0.98
TP9C060B12MP13C	XAFC36D	0.96	0.96	0.98
TP9C060B12MP13C	XAHB36D	0.96	0.98	0.96
TP9C060B12MP13C	XAHC36D	0.96	0.97	0.98
TP9C060B12MP13C	XAHC42E	0.98	0.97	0.98
TP9C060B12MP13C	XAHC48F	0.99	0.95	0.98
TP9C080B12MP13C	CF/CM/CU36B	0.97	1.02	0.93
TP9C080B12MP13C	CF42B	0.98	1.00	0.95
TP9C080B12MP13C	XAF/XAUB36D	0.96	0.99	0.94
TP9C080B12MP13C	XAF/XAUC42E	0.98	0.99	0.96
TP9C080B12MP13C	XAF/XAUC48F	0.99	0.98	0.96
TP9C080B12MP13C	XAFB36E	0.98	0.99	0.96
TP9C080B12MP13C	XAFC36D	0.96	0.99	0.94
TP9C080B12MP13C	XAHB36D	0.97	0.99	0.97
TP9C080B12MP13C	XAHC36D	0.96	0.99	0.94
TP9C080B12MP13C	XAHC42E	0.98	0.99	0.96
TP9C080B12MP13C	XAHC48F	0.99	0.98	0.96
TP9C080C16MP13C	CF/CM/CU36C	0.97	0.95	0.92
TP9C080C16MP13C	CF/CM/CU42C	0.99	0.95	0.92
TP9C080C16MP13C	CF/CM/CU48C	1.00	0.97	0.93
TP9C080C16MP13C	CF/CM/CU48D	1.00	0.97	0.93
TP9C080C16MP13C	CF/CM/CU60C	1.00	0.95	0.94
TP9C080C16MP13C	CF/CM/CU60D	1.00	0.95	0.94
TP9C080C16MP13C	CF/CM36D	0.97	0.95	0.92
TP9C080C16MP13C	CF/CM42D	0.99	0.95	0.92
TP9C080C16MP13C	XAF/XAUC42E	0.99	0.98	0.93
TP9C080C16MP13C	XAF/XAUC48F	1.00	0.96	0.94
TP9C080C16MP13C	XAFC36D	0.97	0.97	0.92

FURNACE MULTIPLIERS - 3 TON (Continued)

Furnaces	Coil	T.C.	S.C.	kW
TP9C080C16MP13C	XAFD42E	0.99	0.98	0.93
TP9C080C16MP13C	XAFD48F	0.99	0.96	0.94
TP9C080C16MP13C	XAHC36D	0.97	0.97	0.94
TP9C080C16MP13C	XAHC42E	0.99	0.97	0.95
TP9C080C16MP13C	XAHC48F	1.00	0.96	0.94
TP9C080C16MP13C	XAHD42E	0.99	0.97	0.95
TP9C080C16MP13C	XAHD48F	0.99	0.96	0.94
TP9C100C16MP13C	CF/CM/CU36C	0.98	1.04	0.91
TP9C100C16MP13C	CF/CM/CU36D	1.00	1.06	0.93
TP9C100C16MP13C	CF/CM/CU42C	1.00	1.03	0.93
TP9C100C16MP13C	CF/CM/CU42D	1.00	1.03	0.91
TP9C100C16MP13C	CF/CM/CU48C	1.00	1.06	0.93
TP9C100C16MP13C	CF/CM/CU48D	1.00	1.06	0.91
TP9C100C16MP13C	CF/CM/CU60C	1.00	1.04	0.91
TP9C100C16MP13C	CF/CM/CU60D	1.00	1.04	0.91
TP9C100C16MP13C	XAF/XAUC42E	1.00	1.01	0.94
TP9C100C16MP13C	XAF/XAUC48F	1.00	0.95	0.92
TP9C100C16MP13C	XAFC36D	0.98	0.96	0.93
TP9C100C16MP13C	XAFD42E	0.99	1.01	0.94
TP9C100C16MP13C	XAFD48F	0.99	0.95	0.92
TP9C100C16MP13C	XAHC36D	0.98	0.96	0.93
TP9C100C16MP13C	XAHC42E	1.00	0.96	0.94
TP9C100C16MP13C	XAHC48F	1.00	0.95	0.93
TP9C100C16MP13C	XAHD42E	0.99	1.01	0.94
TP9C100C16MP13C	XAHD48F	0.99	0.95	0.92
TP9C100C20MP13C	CF/CM/CU36C	0.98	1.05	0.92
TP9C100C20MP13C	CF/CM/CU36D	1.00	1.07	0.93
TP9C100C20MP13C	CF/CM/CU42C	0.98	1.04	0.93
TP9C100C20MP13C	CF/CM/CU42D	1.00	1.05	0.91
TP9C100C20MP13C	CF/CM/CU48C	1.00	1.07	0.94
TP9C100C20MP13C	CF/CM/CU48D	1.00	1.07	0.93
TP9C100C20MP13C	CF/CM/CU60C	1.00	1.05	0.94
TP9C100C20MP13C	CF/CM/CU60D	1.00	1.05	0.91
TP9C100C20MP13C	XAF/XAUC42E	0.98	1.01	0.93
TP9C100C20MP13C	XAF/XAUC48F	1.00	0.99	0.94
TP9C100C20MP13C	XAFC36D	0.98	1.00	0.96
TP9C100C20MP13C	XAFD42E	0.99	1.01	0.94
TP9C100C20MP13C	XAFD48F	0.99	0.99	0.94
TP9C100C20MP13C	XAHC36D	0.98	1.02	0.96
TP9C100C20MP13C	XAHC42E	0.98	1.02	0.93
TP9C100C20MP13C	XAHC48F	1.00	0.99	0.94
TP9C100C20MP13C	XAHD42E	0.99	1.01	0.94
TP9C100C20MP13C	XAHD48F	0.99	0.99	0.94
TP9C120D20MP13C	CF/CM/CU36D	0.96	1.02	0.86
TP9C120D20MP13C	CF/CM/CU42D	0.99	1.04	0.92
TP9C120D20MP13C	CF/CM/CU48D	1.00	1.06	0.93
TP9C120D20MP13C	CF/CM/CU60D	1.00	1.05	0.91
TP9C120D20MP13C	XAFD42E	0.99	0.98	0.92
TP9C120D20MP13C	XAFD48F	1.00	0.98	0.93
TP9C120D20MP13C	XAHD42E	0.99	0.98	0.92
TP9C120D20MP13C	XAHD48F	1.00	0.98	0.93
TPLC060A12MP13C	XAF/XAUB36D	0.96	0.98	0.94
TPLC060A12MP13C	XAFB36E	0.98	0.98	0.96
TPLC060A12MP13C	XAHB36D	0.96	0.98	0.96
TPLC080B12MP13C	XAF/XAUB36D	0.96	0.96	0.96

FURNACE MULTIPLIERS - 3 TON (Continued)

Furnaces	Coil	T.C.	S.C.	kW
TPLC080B12MP13C	XAF/XAUC42E	0.98	0.96	0.98
TPLC080B12MP13C	XAF/XAUC48F	0.99	0.95	0.99
TPLC080B12MP13C	XAFB36E	0.98	0.96	0.98
TPLC080B12MP13C	XAFC36D	0.96	0.96	0.96
TPLC080B12MP13C	XAHB36D	0.96	0.96	0.96
TPLC080B12MP13C	XAHC36D	0.96	0.96	0.96
TPLC080B12MP13C	XAHC42E	0.98	0.96	0.98
TPLC080B12MP13C	XAHC48F	0.99	0.95	0.98
TPLC080C16MP13C	CF/CM/CU36C	0.96	1.01	0.91
TPLC080C16MP13C	CF/CM/CU36D	1.00	1.05	0.93
TPLC080C16MP13C	CF/CM/CU42C	1.00	1.05	0.94
TPLC080C16MP13C	CF/CM/CU42D	1.00	1.05	0.93
TPLC080C16MP13C	CF/CM/CU48C	1.00	1.04	0.93
TPLC080C16MP13C	CF/CM/CU48D	1.00	1.04	0.93
TPLC080C16MP13C	CF/CM/CU60C	1.00	1.05	0.93
TPLC080C16MP13C	CF/CM/CU60D	1.00	1.05	0.91
TPLC080C16MP13C	XAF/XAUC42E	1.00	0.98	0.94
TPLC080C16MP13C	XAF/XAUC48F	1.00	0.98	0.94
TPLC080C16MP13C	XAFC36D	0.96	0.98	0.91
TPLC080C16MP13C	XAFD42E	0.99	0.98	0.94
TPLC080C16MP13C	XAFD48F	0.99	0.98	0.93
TPLC080C16MP13C	XAHC36D	0.96	0.98	0.91
TPLC080C16MP13C	XAHC42E	1.00	0.98	0.94
TPLC080C16MP13C	XAHC48F	1.00	0.98	0.93
TPLC080C16MP13C	XAHD42E	0.99	0.98	0.94
TPLC080C16MP13C	XAHD48F	0.99	0.98	0.94
TPLC100C16MP13C	CF/CM/CU36C	0.96	1.01	0.91
TPLC100C16MP13C	CF/CM/CU36D	1.00	1.05	0.93
TPLC100C16MP13C	CF/CM/CU42C	1.00	1.05	0.94
TPLC100C16MP13C	CF/CM/CU42D	1.00	1.05	0.93
TPLC100C16MP13C	CF/CM/CU48C	1.00	1.04	0.93
TPLC100C16MP13C	CF/CM/CU48D	1.00	1.04	0.93
TPLC100C16MP13C	CF/CM/CU60C	1.00	1.05	0.93
TPLC100C16MP13C	CF/CM/CU60D	1.00	1.05	0.91
TPLC100C16MP13C	XAF/XAUC42E	1.00	0.98	0.94
TPLC100C16MP13C	XAF/XAUC48F	1.00	0.98	0.94
TPLC100C16MP13C	XAFC36D	0.96	0.98	0.91
TPLC100C16MP13C	XAFD42E	0.99	0.98	0.94
TPLC100C16MP13C	XAFD48F	0.99	0.98	0.93
TPLC100C16MP13C	XAHC36D	0.96	0.98	0.91
TPLC100C16MP13C	XAHC42E	1.00	0.98	0.94
TPLC100C16MP13C	XAHC48F	1.00	0.98	0.93
TPLC100C16MP13C	XAHD42E	0.99	0.98	0.94
TPLC100C16MP13C	XAHD48F	0.99	0.98	0.94
TPLC100C20MP13C	CF/CM/CU36C	0.97	1.02	0.91
TPLC100C20MP13C	CF/CM/CU36D	1.00	1.05	0.91
TPLC100C20MP13C	CF/CM/CU42C	1.00	1.05	0.94
TPLC100C20MP13C	CF/CM/CU42D	1.00	1.05	0.91
TPLC100C20MP13C	CF/CM/CU48C	1.00	1.04	0.93
TPLC100C20MP13C	CF/CM/CU48D	1.00	1.07	0.89
TPLC100C20MP13C	CF/CM/CU60C	1.00	1.05	0.93
TPLC100C20MP13C	CF/CM/CU60D	1.00	1.05	0.91
TPLC100C20MP13C	XAF/XAUC42E	1.00	1.03	0.94
TPLC100C20MP13C	XAF/XAUC48F	1.00	1.02	0.93
TPLC100C20MP13C	XAFC36D	0.97	1.02	0.91

FURNACE MULTIPLIERS - 3 TON (Continued)

Furnaces	Coil	T.C.	S.C.	kW
TPLC100C20MP13C	XAFD42E	0.99	1.03	0.92
TPLC100C20MP13C	XAFD48F	0.99	1.02	0.92
TPLC100C20MP13C	XAHC36D	0.97	1.02	0.91
TPLC100C20MP13C	XAHC42E	1.00	1.02	0.94
TPLC100C20MP13C	XAHC48F	1.00	1.02	0.93
TPLC100C20MP13C	XAHD42E	0.99	1.02	0.94
TPLC100C20MP13C	XAHD48F	0.99	1.02	0.92
TPLC120C20MP13C	CF/CM/CU36C	0.97	1.02	0.91
TPLC120C20MP13C	CF/CM/CU36D	1.00	1.05	0.91
TPLC120C20MP13C	CF/CM/CU42C	1.00	1.05	0.94
TPLC120C20MP13C	CF/CM/CU42D	1.00	1.05	0.91
TPLC120C20MP13C	CF/CM/CU48C	1.00	1.04	0.93
TPLC120C20MP13C	CF/CM/CU48D	1.00	1.07	0.89
TPLC120C20MP13C	CF/CM/CU60C	1.00	1.05	0.93
TPLC120C20MP13C	CF/CM/CU60D	1.00	1.05	0.91
TPLC120C20MP13C	XAF/XAUC42E	1.00	1.03	0.94
TPLC120C20MP13C	XAF/XAUC48F	1.00	1.02	0.93
TPLC120C20MP13C	XAFC36D	0.97	1.02	0.91
TPLC120C20MP13C	XAFD42E	0.99	1.03	0.92
TPLC120C20MP13C	XAFD48F	0.99	1.02	0.92
TPLC120C20MP13C	XAHC36D	0.97	1.02	0.91
TPLC120C20MP13C	XAHC42E	1.00	1.02	0.94
TPLC120C20MP13C	XAHC48F	1.00	1.02	0.93
TPLC120C20MP13C	XAHD42E	0.99	1.02	0.94
TPLC120C20MP13C	XAHD48F	0.99	1.02	0.92
YP9C060B12MP13C	CF/CM/CU36B	0.96	0.95	0.96
YP9C060B12MP13C	CF/CM/CU36C	0.96	0.95	0.98
YP9C060B12MP13C	CF/CM/CU42C	0.98	0.96	0.96
YP9C060B12MP13C	CF/CM/CU48C	1.00	0.99	0.98
YP9C060B12MP13C	CF/CM/CU60C	1.00	0.98	0.98
YP9C060B12MP13C	CF42B	0.98	0.96	0.96
YP9C060B12MP13C	XAF/XAUB36D	0.96	0.96	0.96
YP9C060B12MP13C	XAF/XAUC42E	0.98	0.96	0.98
YP9C060B12MP13C	XAF/XAUC48F	0.99	0.95	0.99
YP9C060B12MP13C	XAFB36E	0.98	0.97	0.98
YP9C060B12MP13C	XAFC36D	0.96	0.96	0.98
YP9C060B12MP13C	XAHB36D	0.96	0.98	0.96
YP9C060B12MP13C	XAHC36D	0.96	0.97	0.98
YP9C060B12MP13C	XAHC42E	0.98	0.97	0.98
YP9C060B12MP13C	XAHC48F	0.99	0.95	0.98
YP9C080B12MP13C	CF/CM/CU36B	0.97	1.02	0.93
YP9C080B12MP13C	CF42B	0.98	1.00	0.95
YP9C080B12MP13C	XAF/XAUB36D	0.96	0.99	0.94
YP9C080B12MP13C	XAF/XAUC42E	0.98	0.99	0.96
YP9C080B12MP13C	XAF/XAUC48F	0.99	0.98	0.96
YP9C080B12MP13C	XAFB36E	0.98	0.99	0.96
YP9C080B12MP13C	XAFC36D	0.96	0.99	0.94
YP9C080B12MP13C	XAHB36D	0.97	0.99	0.97
YP9C080B12MP13C	XAHC36D	0.96	0.99	0.94
YP9C080B12MP13C	XAHC42E	0.98	0.99	0.96
YP9C080B12MP13C	XAHC48F	0.99	0.98	0.96
YP9C080C16MP13C	CF/CM/CU36C	0.97	0.95	0.92
YP9C080C16MP13C	CF/CM/CU42C	0.99	0.95	0.92
YP9C080C16MP13C	CF/CM/CU48C	1.00	0.97	0.93
YP9C080C16MP13C	CF/CM/CU48D	1.00	0.97	0.93

FURNACE MULTIPLIERS - 3 TON (Continued)

Furnaces	Coil	T.C.	S.C.	kW
YP9C080C16MP13C	CF/CM/CU60C	1.00	0.95	0.94
YP9C080C16MP13C	CF/CM/CU60D	1.00	0.95	0.94
YP9C080C16MP13C	CF/CM36D	0.97	0.95	0.92
YP9C080C16MP13C	CF/CM42D	0.99	0.95	0.92
YP9C080C16MP13C	XAF/XAUC42E	0.99	0.98	0.93
YP9C080C16MP13C	XAF/XAUC48F	1.00	0.96	0.94
YP9C080C16MP13C	XAFC36D	0.97	0.97	0.92
YP9C080C16MP13C	XAFD42E	0.99	0.98	0.93
YP9C080C16MP13C	XAFD48F	0.99	0.96	0.94
YP9C080C16MP13C	XAHC36D	0.97	0.97	0.94
YP9C080C16MP13C	XAHC42E	0.99	0.97	0.95
YP9C080C16MP13C	XAHC48F	1.00	0.96	0.94
YP9C080C16MP13C	XAHD42E	0.99	0.97	0.95
YP9C080C16MP13C	XAHD48F	0.99	0.96	0.94
YP9C100C16MP13C	CF/CM/CU36C	0.98	1.04	0.91
YP9C100C16MP13C	CF/CM/CU36D	1.00	1.06	0.93
YP9C100C16MP13C	CF/CM/CU42C	1.00	1.03	0.93
YP9C100C16MP13C	CF/CM/CU42D	1.00	1.03	0.91
YP9C100C16MP13C	CF/CM/CU48C	1.00	1.06	0.93
YP9C100C16MP13C	CF/CM/CU48D	1.00	1.06	0.91
YP9C100C16MP13C	CF/CM/CU60C	1.00	1.04	0.91
YP9C100C16MP13C	CF/CM/CU60D	1.00	1.04	0.91
YP9C100C16MP13C	XAF/XAUC42E	1.00	1.01	0.94
YP9C100C16MP13C	XAF/XAUC48F	1.00	0.95	0.92
YP9C100C16MP13C	XAFC36D	0.98	0.96	0.93
YP9C100C16MP13C	XAFD42E	0.99	1.01	0.94
YP9C100C16MP13C	XAFD48F	0.99	0.95	0.92
YP9C100C16MP13C	XAHC36D	0.98	0.96	0.93
YP9C100C16MP13C	XAHC42E	1.00	0.96	0.94
YP9C100C16MP13C	XAHC48F	1.00	0.95	0.93
YP9C100C16MP13C	XAHD42E	0.99	1.01	0.94
YP9C100C16MP13C	XAHD48F	0.99	0.95	0.92
YP9C100C20MP13C	CF/CM/CU36C	0.98	1.05	0.92
YP9C100C20MP13C	CF/CM/CU36D	1.00	1.07	0.93
YP9C100C20MP13C	CF/CM/CU42C	0.98	1.04	0.93
YP9C100C20MP13C	CF/CM/CU42D	1.00	1.05	0.91
YP9C100C20MP13C	CF/CM/CU48C	1.00	1.07	0.94
YP9C100C20MP13C	CF/CM/CU48D	1.00	1.07	0.93
YP9C100C20MP13C	CF/CM/CU60C	1.00	1.05	0.94
YP9C100C20MP13C	CF/CM/CU60D	1.00	1.05	0.91
YP9C100C20MP13C	XAF/XAUC42E	0.98	1.01	0.93
YP9C100C20MP13C	XAF/XAUC48F	1.00	0.99	0.94
YP9C100C20MP13C	XAFC36D	0.98	1.00	0.96
YP9C100C20MP13C	XAFD42E	0.99	1.01	0.94
YP9C100C20MP13C	XAFD48F	0.99	0.99	0.94
YP9C100C20MP13C	XAHC36D	0.98	1.02	0.96
YP9C100C20MP13C	XAHC42E	0.98	1.02	0.93
YP9C100C20MP13C	XAHC48F	1.00	0.99	0.94
YP9C100C20MP13C	XAHD42E	0.99	1.01	0.94
YP9C100C20MP13C	XAHD48F	0.99	0.99	0.94
YP9C120D20MP13C	CF/CM/CU36D	0.96	1.02	0.86
YP9C120D20MP13C	CF/CM/CU42D	0.99	1.04	0.92
YP9C120D20MP13C	CF/CM/CU48D	1.00	1.06	0.93
YP9C120D20MP13C	CF/CM/CU60D	1.00	1.05	0.91
YP9C120D20MP13C	XAFD42E	0.99	0.98	0.92

FURNACE MULTIPLIERS - 3 TON (Continued)

Furnaces	Coil	T.C.	S.C.	kW
YP9C120D20MP13C	XAFD48F	1.00	0.98	0.93
YP9C120D20MP13C	XAHD42E	0.99	0.98	0.92
YP9C120D20MP13C	XAHD48F	1.00	0.98	0.93
YPLC060A12MP13C	XAF/XAUB36D	0.96	0.98	0.94
YPLC060A12MP13C	XAFB36E	0.98	0.98	0.96
YPLC060A12MP13C	XAHB36D	0.96	0.98	0.96
YPLC080B12MP13C	XAF/XAUB36D	0.96	0.96	0.96
YPLC080B12MP13C	XAF/XAUC42E	0.98	0.96	0.98
YPLC080B12MP13C	XAF/XAUC48F	0.99	0.95	0.99
YPLC080B12MP13C	XAFB36E	0.98	0.96	0.98
YPLC080B12MP13C	XAFC36D	0.96	0.96	0.96
YPLC080B12MP13C	XAHB36D	0.96	0.96	0.96
YPLC080B12MP13C	XAHC36D	0.96	0.96	0.96
YPLC080B12MP13C	XAHC42E	0.98	0.96	0.98
YPLC080B12MP13C	XAHC48F	0.99	0.95	0.98
YPLC080C16MP13C	CF/CM/CU36C	0.96	1.01	0.91
YPLC080C16MP13C	CF/CM/CU36D	1.00	1.05	0.93
YPLC080C16MP13C	CF/CM/CU42C	1.00	1.05	0.94
YPLC080C16MP13C	CF/CM/CU42D	1.00	1.05	0.93
YPLC080C16MP13C	CF/CM/CU48C	1.00	1.04	0.93
YPLC080C16MP13C	CF/CM/CU48D	1.00	1.04	0.93
YPLC080C16MP13C	CF/CM/CU60C	1.00	1.05	0.93
YPLC080C16MP13C	CF/CM/CU60D	1.00	1.05	0.91
YPLC080C16MP13C	XAF/XAUC42E	1.00	0.98	0.94
YPLC080C16MP13C	XAF/XAUC48F	1.00	0.98	0.94
YPLC080C16MP13C	XAFC36D	0.96	0.98	0.91
YPLC080C16MP13C	XAFD42E	0.99	0.98	0.94
YPLC080C16MP13C	XAFD48F	0.99	0.98	0.93
YPLC080C16MP13C	XAHC36D	0.96	0.98	0.91
YPLC080C16MP13C	XAHC42E	1.00	0.98	0.94
YPLC080C16MP13C	XAHC48F	1.00	0.98	0.93
YPLC080C16MP13C	XAHD42E	0.99	0.98	0.94
YPLC080C16MP13C	XAHD48F	0.99	0.98	0.94
YPLC100C16MP13C	CF/CM/CU36C	0.96	1.01	0.91
YPLC100C16MP13C	CF/CM/CU36D	1.00	1.05	0.93
YPLC100C16MP13C	CF/CM/CU42C	1.00	1.05	0.94
YPLC100C16MP13C	CF/CM/CU42D	1.00	1.05	0.93
YPLC100C16MP13C	CF/CM/CU48C	1.00	1.04	0.93
YPLC100C16MP13C	CF/CM/CU48D	1.00	1.04	0.93
YPLC100C16MP13C	CF/CM/CU60C	1.00	1.05	0.93
YPLC100C16MP13C	CF/CM/CU60D	1.00	1.05	0.91
YPLC100C16MP13C	XAF/XAUC42E	1.00	0.98	0.94
YPLC100C16MP13C	XAF/XAUC48F	1.00	0.98	0.94
YPLC100C16MP13C	XAFC36D	0.96	0.98	0.91
YPLC100C16MP13C	XAFD42E	0.99	0.98	0.94
YPLC100C16MP13C	XAFD48F	0.99	0.98	0.93
YPLC100C16MP13C	XAHC36D	0.96	0.98	0.91
YPLC100C16MP13C	XAHC42E	1.00	0.98	0.94
YPLC100C16MP13C	XAHC48F	1.00	0.98	0.93
YPLC100C16MP13C	XAHD42E	0.99	0.98	0.94
YPLC100C16MP13C	XAHD48F	0.99	0.98	0.94
YPLC100C20MP13C	CF/CM/CU36C	0.97	1.02	0.91
YPLC100C20MP13C	CF/CM/CU36D	1.00	1.05	0.91
YPLC100C20MP13C	CF/CM/CU42C	1.00	1.05	0.94
YPLC100C20MP13C	CF/CM/CU42D	1.00	1.05	0.94

FURNACE MULTIPLIERS - 3 TON (Continued)

Furnaces	Coil	T.C.	S.C.	kW
YPLC100C20MP13C	CF/CM/CU48C	1.00	1.04	0.93
YPLC100C20MP13C	CF/CM/CU48D	1.00	1.07	0.89
YPLC100C20MP13C	CF/CM/CU60C	1.00	1.05	0.93
YPLC100C20MP13C	CF/CM/CU60D	1.00	1.05	0.91
YPLC100C20MP13C	XAF/XAUC42E	1.00	1.03	0.94
YPLC100C20MP13C	XAF/XAUC48F	1.00	1.02	0.93
YPLC100C20MP13C	XAFC36D	0.97	1.02	0.91
YPLC100C20MP13C	XAFD42E	0.99	1.03	0.92
YPLC100C20MP13C	XAFD48F	0.99	1.02	0.92
YPLC100C20MP13C	XAHC36D	0.97	1.02	0.91
YPLC100C20MP13C	XAHC42E	1.00	1.02	0.94
YPLC100C20MP13C	XAHC48F	1.00	1.02	0.93
YPLC100C20MP13C	XAHD42E	0.99	1.02	0.94
YPLC100C20MP13C	XAHD48F	0.99	1.02	0.92
YPLC120C20MP13C	CF/CM/CU36C	0.97	1.02	0.91
YPLC120C20MP13C	CF/CM/CU36D	1.00	1.05	0.91
YPLC120C20MP13C	CF/CM/CU42C	1.00	1.05	0.94

FURNACE MULTIPLIERS - 3 TON (Continued)

Furnaces	Coil	T.C.	S.C.	kW
YPLC120C20MP13C	CF/CM/CU42D	1.00	1.05	0.91
YPLC120C20MP13C	CF/CM/CU48C	1.00	1.04	0.93
YPLC120C20MP13C	CF/CM/CU48D	1.00	1.07	0.89
YPLC120C20MP13C	CF/CM/CU60C	1.00	1.05	0.93
YPLC120C20MP13C	CF/CM/CU60D	1.00	1.05	0.91
YPLC120C20MP13C	XAF/XAUC42E	1.00	1.03	0.94
YPLC120C20MP13C	XAF/XAUC48F	1.00	1.02	0.93
YPLC120C20MP13C	XAFC36D	0.97	1.02	0.91
YPLC120C20MP13C	XAFD42E	0.99	1.03	0.92
YPLC120C20MP13C	XAFD48F	0.99	1.02	0.92
YPLC120C20MP13C	XAHC36D	0.97	1.02	0.91
YPLC120C20MP13C	XAHC42E	1.00	1.02	0.94
YPLC120C20MP13C	XAHC48F	1.00	1.02	0.93
YPLC120C20MP13C	XAHD42E	0.99	1.02	0.94
YPLC120C20MP13C	XAHD48F	0.99	1.02	0.92

PERFORMANCE DATA - 3.5 TON

CONDENSER-ONLY DATA (OUTDOOR UNIT)																		
MODEL	SATURATED SUCTION AT COMPRESSOR		Outdoor Ambient Temperature															
			55°F		65°F		75°F		85°F		95°F		105°F		115°F		125°F	
	T (°F)	P (PSIG)	MBH	kW	MBH	kW	MBH	kW	MBH	kW	MBH	kW	MBH	kW	MBH	kW	MBH	kW
YCG42B21S	35	107	38.6	2.25	36.9	2.46	35.0	2.70	33.2	2.97	31.2	3.27	29.1	3.62	26.9	4.01	24.7	4.45
	40	118	42.5	2.24	40.6	2.45	38.6	2.69	36.5	2.95	34.4	3.25	32.1	3.61	29.8	4.01	27.3	4.44
	45	130	46.8	2.22	44.6	2.43	42.4	2.67	40.2	2.94	37.8	3.24	35.4	3.59	32.8	3.99	30.2	4.42
	50	142	51.4	2.21	49.0	2.42	46.6	2.65	44.1	2.92	41.5	3.21	38.9	3.57	36.1	3.97	33.2	4.40
	55	156	56.5	2.19	53.8	2.40	51.1	2.63	48.4	2.90	45.6	3.19	42.7	3.55	39.7	3.95	36.6	4.38

Notes:

- For outdoor unit (condenser) performance only. Data does not include the effects of air handler power or heat.
- Performance based on 15°F subcooling and 15°F superheat at the outdoor unit base valves.
 - Increase capacity by 1% for each 2°F increase in subcooling.
 - Decrease capacity by 1% for each 2°F decrease in subcooling.
- Maximum recommended condensing temperature is 140°F.

COOLING PERFORMANCE DATA																
OUTDOOR UNIT MODEL NO.		YCG42B21S														
INDOOR COIL MODEL NO.		CF48CXA1														
AIR TEMPERATURE ENTERING OUTDOOR UNIT (°F)	ID CFM	1200					1400					1600				
	ID DB (°F)	80	80	75	80	80	80	80	75	80	80	80	80	75	80	80
	ID WB (°F)	57	62	62	67	72	57	62	62	67	72	57	62	62	67	72
55	T.C.	38.7	40.9	40.5	41.9	42.2	39.3	40.9	40.8	41.9	42.2	39.8	40.9	41.0	41.9	42.2
	S.C.	38.1	32.8	27.7	25.3	19.2	38.7	33.4	28.2	25.5	19.3	39.3	34.1	28.6	25.7	19.4
	kW	2.17	2.18	2.18	2.19	2.18	2.24	2.26	2.26	2.26	2.26	2.32	2.34	2.34	2.34	2.34
65	T.C.	38.1	40.6	40.4	43.0	44.5	39.2	41.1	40.9	43.4	44.7	40.3	41.6	41.5	43.8	44.9
	S.C.	37.5	33.7	28.4	27.0	20.5	38.6	35.3	29.6	28.0	20.8	39.8	36.8	30.8	28.9	21.2
	kW	2.38	2.40	2.39	2.40	2.39	2.45	2.47	2.47	2.48	2.47	2.53	2.55	2.54	2.55	2.55
75	T.C.	37.5	40.2	40.2	44.1	46.9	39.1	41.2	41.1	44.9	47.3	40.7	42.2	42.0	45.8	47.7
	S.C.	37.0	34.6	29.0	28.7	21.8	38.6	37.1	31.0	30.5	22.4	40.2	39.6	33.0	32.2	22.9
	kW	2.59	2.61	2.60	2.61	2.60	2.66	2.68	2.67	2.69	2.68	2.74	2.76	2.75	2.77	2.77
85	T.C.	35.9	38.3	38.4	42.3	45.7	37.6	39.4	39.3	43.2	46.3	39.2	40.4	40.1	44.2	47.0
	S.C.	35.4	33.5	28.2	28.1	21.7	37.1	36.1	30.2	30.0	22.5	38.8	38.6	32.3	31.9	23.3
	kW	2.88	2.89	2.89	2.90	2.88	2.95	2.97	2.96	2.97	2.96	3.02	3.04	3.03	3.05	3.04
95	T.C.	34.3	36.4	36.6	40.4	44.5	36.0	37.5	37.4	41.5	45.4	37.6	38.6	38.2	42.6	46.3
	S.C.	33.9	32.4	27.3	27.5	21.5	35.6	35.0	29.4	29.6	22.6	37.4	37.7	31.6	31.7	23.6
	kW	3.17	3.18	3.18	3.19	3.17	3.23	3.25	3.24	3.25	3.24	3.30	3.32	3.31	3.32	3.31
105	T.C.	32.7	34.5	34.6	38.2	42.1	34.2	35.6	35.4	39.1	43.0	35.7	36.6	36.1	40.0	43.9
	S.C.	32.4	31.5	26.6	26.6	20.6	33.9	33.6	28.6	28.7	21.7	35.5	35.7	30.6	30.7	22.8
	kW	3.59	3.60	3.61	3.61	3.59	3.66	3.67	3.67	3.68	3.66	3.73	3.74	3.74	3.75	3.74
115	T.C.	31.1	32.6	32.7	36.0	39.9	32.4	33.7	33.3	36.8	40.7	33.8	34.7	34.0	37.6	41.5
	S.C.	30.9	30.6	25.8	25.7	19.8	32.3	32.2	27.7	27.8	20.8	33.7	33.9	29.6	29.8	21.9
	kW	4.01	4.01	4.03	4.02	3.99	4.08	4.08	4.09	4.09	4.07	4.14	4.14	4.15	4.16	4.15
125	T.C.	29.5	30.8	30.8	33.8	37.6	30.7	31.7	31.3	34.5	38.4	31.9	32.7	31.9	35.1	39.1
	S.C.	29.4	29.8	25.0	24.8	18.9	30.7	30.9	26.8	26.9	20.0	31.9	32.0	28.6	28.9	21.1
	kW	4.42	4.42	4.44	4.42	4.40	4.49	4.49	4.50	4.50	4.48	4.56	4.55	4.56	4.57	4.56

Note: All capacities include indoor fan heat. kW values are for the system (outdoor + indoor).

Green shaded cells are ACCA (TVA) conditions.

Blue shaded cells are AHRI conditions.

Multipliers for determining the performance with other indoor sections

Note: For dry bulb temperatures different than those listed (between 73°F to 87°F), sensible capacity increases by 1060 BTUH per 1000 CFM per degree above the listed temperature and decreases by 1060 BTUH per 1000 CFM per degree below the listed temperature.

COIL MULTIPLIERS - 3.5 TON

Air Handler	Coil	T.C.	S.C.	kW
—	CF/CM/CU42C	0.99	0.98	1.01
—	CF/CM/CU42D	0.99	0.98	1.01
—	CF/CM/CU48C	1.00	1.00	1.00
—	CF/CM/CU48D	1.00	1.00	1.00
—	CF/CM/CU60C	1.01	1.02	1.01
—	CF/CM/CU60D	1.01	1.02	1.01
—	CF/CM64D	1.01	1.01	0.99
—	XAF/XAUC42E	0.99	0.99	1.01
—	XAF/XAUC48F	1.00	0.99	1.00
—	XAF/XAUC60G	1.01	1.02	1.01
—	XAF/XAUD60G	1.01	1.02	1.01
—	XAFD42E	0.99	1.02	1.01
—	XAFD48F	1.00	0.99	1.00
—	XAHC48F	1.00	0.99	1.00
—	XAHC60G	1.01	1.02	1.01
—	XAHD42E	0.99	0.98	1.01
—	XAHD48F	1.00	0.99	1.00
—	XAHD60G	1.01	1.02	1.01
AE42CX21	—	1.00	0.94	0.93
AE48CX21	—	1.01	0.96	0.91
AE48DX21	—	1.01	0.97	0.91
AE60CX21	—	1.01	1.03	0.92
AE60DX21	—	1.01	1.02	0.91
AP42CX21	—	0.98	0.92	1.00
AP48CX21	—	1.00	0.97	1.00
AP48DX21	—	1.01	0.99	0.99
AP60CX21	—	1.01	1.01	1.03
AP60DX22	—	1.01	1.01	1.01
AP60DX23	—	1.01	1.01	1.01
AVC42CX21	—	1.00	0.94	0.93
AVC48CX21	—	1.01	0.96	0.92
AVC48DX21	—	1.01	0.97	0.91
AVC60CX21	—	1.01	0.99	0.92
AVC60DX21	—	1.01	0.96	0.91
ME14DN21	CF/CM42D	0.99	0.94	0.90
ME14DN21	CF/CM48D	1.00	0.93	0.91
ME14DN21	CF/CM60D	1.01	0.98	0.89
ME14DN21	CF/CM64D	1.01	0.95	0.91
ME16CN21	CF/CM42C	0.98	0.91	0.90
ME16CN21	CF/CM48C	1.01	0.97	0.91
ME16CN21	CF/CM60C	1.01	0.98	0.91
ME20DN21	CF/CM42D	1.00	1.02	0.93
ME20DN21	CF/CM48D	1.01	1.03	0.91
ME20DN21	CF/CM60D	1.01	1.03	0.91
ME20DN21	CF/CM64D	1.01	1.03	0.91
MVC12BN21	CF42B	0.98	0.95	0.96
MVC14DN21	CF/CM42D	1.00	0.99	0.91
MVC14DN21	CF/CM48D	1.00	0.97	0.91
MVC14DN21	CF/CM60D	1.00	0.95	0.91
MVC14DN21	CF/CM64D	1.01	0.95	0.91
MVC16CN21	CF/CM42C	0.99	0.97	0.93
MVC16CN21	CF/CM48C	1.01	0.99	0.92
MVC16CN21	CF/CM60C	1.01	0.99	0.92
MVC20DN21	CF/CM42D	1.00	0.97	0.91
MVC20DN21	CF/CM48D	1.01	0.97	0.92
MVC20DN21	CF/CM60D	1.01	0.99	0.91

COIL MULTIPLIERS - 3.5 TON (Continued)

MVC20DN21	CF/CM64D	1.01	0.99	0.92
-----------	----------	------	------	------

FURNACE MULTIPLIERS - 3.5 TON

Furnaces	Coil	T.C.	S.C.	kW
TL8E080C16UH11	CF/CM/CU42C	0.96	0.99	0.89
TL8E080C16UH11	CF/CM/CU48C	0.99	0.99	0.90
TL8E080C16UH11	CF/CM/CU48D	0.99	0.99	0.90
TL8E080C16UH11	CF/CM/CU60C	0.96	0.98	0.89
TL8E080C16UH11	CF/CM42D	0.96	0.99	0.89
TL8E080C16UH11	CF/CM64D	1.00	1.02	0.91
TL8E080C16UH11	XAF/XAUC42E	0.96	0.96	0.91
TL8E080C16UH11	XAF/XAUC48F	0.99	0.95	0.93
TL8E080C16UH11	XAF/XAUC60G	0.96	0.99	0.89
TL8E080C16UH11	XAF/XAUD60G	0.99	0.99	0.92
TL8E080C16UH11	XAFD42E	0.96	0.97	0.91
TL8E080C16UH11	XAFD48F	0.99	0.95	0.93
TL8E080C16UH11	XAHC42E	0.96	0.95	0.91
TL8E080C16UH11	XAHC48F	0.99	0.95	0.93
TL8E080C16UH11	XAHC60G	0.96	0.99	0.89
TL8E080C16UH11	XAHD42E	0.96	0.96	0.91
TL8E080C16UH11	XAHD48F	0.99	0.95	0.93
TL8E080C16UH11	XAHD60G	0.99	0.98	0.92
TL8E100C20UH11	CF/CM/CU42C	0.98	1.03	0.89
TL8E100C20UH11	CF/CM/CU60C	0.99	1.04	0.92
TL8E100C20UH11	CF/CM42D	0.98	1.03	0.89
TL8E100C20UH11	CF/CM64D	1.00	1.05	0.91
TL8E100C20UH11	XAF/XAUC42E	0.98	0.95	0.90
TL8E100C20UH11	XAF/XAUC48F	0.99	0.94	0.92
TL8E100C20UH11	XAF/XAUC60G	0.99	0.97	0.92
TL8E100C20UH11	XAF/XAUD60G	1.00	0.97	0.91
TL8E100C20UH11	XAFD42E	0.98	0.97	0.89
TL8E100C20UH11	XAFD48F	0.99	0.95	0.92
TL8E100C20UH11	XAHC42E	0.98	1.00	0.92
TL8E100C20UH11	XAHC48F	0.99	0.95	0.90
TL8E100C20UH11	XAHC60G	0.99	0.98	0.92
TL8E100C20UH11	XAHD42E	0.98	0.95	0.90
TL8E100C20UH11	XAHD48F	0.99	0.94	0.92
TL8E100C20UH11	XAHD60G	1.00	0.97	0.91
TL9E060B12UH11	CF/CM/CU42C	0.96	1.01	0.98
TL9E060B12UH11	CF/CM/CU48C	0.98	1.01	1.00
TL9E060B12UH11	CF/CM/CU60C	0.96	1.01	0.98
TL9E060B12UH11	XAF/XAUC60G	0.96	0.97	0.98
TL9E060B12UH11	XAHC60G	0.96	0.97	0.98
TL9E080C16UH11	CF/CM/CU42C	0.98	1.03	0.92
TL9E080C16UH11	CF/CM/CU48C	0.99	1.04	0.93
TL9E080C16UH11	CF/CM/CU48D	0.98	0.98	0.90
TL9E080C16UH11	CF/CM/CU60C	0.98	1.03	0.92
TL9E080C16UH11	CF/CM42D	0.95	0.97	0.90
TL9E080C16UH11	CF/CM64D	1.00	1.05	0.93
TL9E080C16UH11	XAF/XAUC42E	0.96	0.96	0.91
TL9E080C16UH11	XAF/XAUC48F	0.99	0.95	0.93
TL9E080C16UH11	XAF/XAUC60G	0.98	0.97	0.92
TL9E080C16UH11	XAF/XAUD60G	0.99	0.97	0.93
TL9E080C16UH11	XAFD42E	0.95	0.96	0.92
TL9E080C16UH11	XAFD48F	0.98	0.95	0.92
TL9E080C16UH11	XAHC42E	0.96	0.95	0.91
TL9E080C16UH11	XAHC48F	0.99	0.95	0.93

FURNACE MULTIPLIERS - 3.5 TON (Continued)

Furnaces	Coil	T.C.	S.C.	kW
TL9E080C16UH11	XAHC60G	0.98	0.99	0.92
TL9E080C16UH11	XAHD42E	0.95	0.96	0.90
TL9E080C16UH11	XAHD48F	0.98	0.95	0.92
TL9E080C16UH11	XAHD60G	0.99	0.97	0.93
TL9E100C20UH11	CF/CM/CU42C	0.96	0.99	0.89
TL9E100C20UH11	CF/CM/CU48C	0.99	1.00	0.90
TL9E100C20UH11	CF/CM/CU48D	0.99	1.01	0.90
TL9E100C20UH11	CF/CM/CU60C	0.98	0.99	0.90
TL9E100C20UH11	CF/CM42D	0.96	0.98	0.88
TL9E100C20UH11	CF/CM64D	1.00	1.05	0.91
TL9E100C20UH11	XAF/XAUC42E	0.96	1.01	0.91
TL9E100C20UH11	XAF/XAUC48F	0.99	0.94	0.92
TL9E100C20UH11	XAF/XAUC60G	0.98	0.97	0.90
TL9E100C20UH11	XAF/XAUD60G	0.99	0.97	0.92
TL9E100C20UH11	XAFD42E	0.96	1.02	0.91
TL9E100C20UH11	XAFD48F	0.99	0.94	0.92
TL9E100C20UH11	XAHC42E	0.96	1.00	0.91
TL9E100C20UH11	XAHC48F	0.99	0.94	0.92
TL9E100C20UH11	XAHC60G	0.98	0.97	0.90
TL9E100C20UH11	XAHD42E	0.96	1.01	0.91
TL9E100C20UH11	XAHD48F	0.99	0.94	0.92
TL9E100C20UH11	XAHD60G	0.99	0.95	0.92
TM8E080B12MP11	CF/CM/CU42C	0.98	1.03	0.96
TM8E080B12MP11	CF/CM/CU48C	0.99	1.04	0.97
TM8E080B12MP11	CF/CM/CU60C	0.99	1.04	0.99
TM8E080B12MP11	XAF/XAUC42E	0.98	0.97	0.98
TM8E080B12MP11	XAF/XAUC48F	0.98	0.94	0.96
TM8E080B12MP11	XAF/XAUC60G	0.99	0.97	0.99
TM8E080B12MP11	XAHC42E	0.98	0.95	0.98
TM8E080B12MP11	XAHC60G	0.99	0.97	0.99
TM8E080C16MP11	CF/CM/CU42C	0.96	0.98	0.89
TM8E080C16MP11	CF/CM/CU48C	0.99	0.99	0.90
TM8E080C16MP11	CF/CM/CU48D	0.99	0.99	0.90
TM8E080C16MP11	CF/CM/CU60C	0.98	0.98	0.90
TM8E080C16MP11	CF/CM/CU60D	0.99	1.00	0.92
TM8E080C16MP11	CF/CM42D	0.98	0.99	0.90
TM8E080C16MP11	CF/CM64D	0.99	1.00	0.90
TM8E080C16MP11	XAF/XAUC42E	0.96	0.97	0.91
TM8E080C16MP11	XAF/XAUC48F	0.99	0.95	0.93
TM8E080C16MP11	XAF/XAUC60G	0.98	0.99	0.90
TM8E080C16MP11	XAF/XAUD60G	0.99	0.99	0.92
TM8E080C16MP11	XAFD42E	0.98	0.97	0.92
TM8E080C16MP11	XAFD48F	0.99	0.95	0.93
TM8E080C16MP11	XAHC42E	0.96	0.96	0.91
TM8E080C16MP11	XAHC48F	0.99	0.95	0.93
TM8E080C16MP11	XAHC60G	0.98	0.99	0.90
TM8E080C16MP11	XAHD42E	0.98	0.96	0.92
TM8E080C16MP11	XAHD48F	0.99	0.95	0.93
TM8E080C16MP11	XAHD60G	0.99	0.98	0.92
TM8E080C20MP11	CF/CM/CU42C	0.99	1.04	0.90
TM8E080C20MP11	CF/CM/CU48C	1.00	1.05	0.91
TM8E080C20MP11	CF/CM/CU48D	1.00	1.06	0.91
TM8E080C20MP11	CF/CM/CU60C	1.00	1.05	0.93
TM8E080C20MP11	CF/CM/CU60D	1.00	1.06	0.93
TM8E080C20MP11	CF/CM42D	0.99	1.05	0.90
TM8E080C20MP11	CF/CM64D	1.01	1.07	0.92

FURNACE MULTIPLIERS - 3.5 TON (Continued)

Furnaces	Coil	T.C.	S.C.	kW
TM8E080C20MP11	XAF/XAUC42E	0.99	0.95	0.92
TM8E080C20MP11	XAF/XAUC48F	1.00	0.94	0.93
TM8E080C20MP11	XAF/XAUC60G	1.00	0.97	0.93
TM8E080C20MP11	XAF/XAUD60G	1.00	0.97	0.93
TM8E080C20MP11	XAFD42E	0.99	0.97	0.92
TM8E080C20MP11	XAFD48F	0.99	0.94	0.92
TM8E080C20MP11	XAHC42E	0.99	1.02	0.93
TM8E080C20MP11	XAHC48F	1.00	0.94	0.91
TM8E080C20MP11	XAHC60G	1.00	0.97	0.93
TM8E080C20MP11	XAHD42E	0.99	0.95	0.92
TM8E080C20MP11	XAHD48F	0.99	0.94	0.92
TM8E080C20MP11	XAHD60G	1.00	0.97	0.93
TM8E100B12MP11	CF/CM/CU42C	0.96	0.98	0.91
TM8E100B12MP11	CF/CM/CU48C	0.99	0.99	0.93
TM8E100B12MP11	CF/CM/CU60C	0.98	0.99	0.96
TM8E100B12MP11	XAF/XAUC42E	0.96	0.96	0.91
TM8E100B12MP11	XAF/XAUC48F	0.98	0.94	0.96
TM8E100B12MP11	XAF/XAUC60G	0.98	0.97	0.96
TM8E100B12MP11	XAHC42E	0.96	0.96	0.95
TM8E100B12MP11	XAHC60G	0.98	0.97	0.96
TM8E100C16MP11	CF/CM/CU42C	0.98	1.00	0.90
TM8E100C16MP11	CF/CM/CU48C	1.00	1.01	0.91
TM8E100C16MP11	CF/CM/CU48D	1.00	1.01	0.91
TM8E100C16MP11	CF/CM/CU60C	0.98	0.99	0.90
TM8E100C16MP11	CF/CM/CU60D	0.98	0.99	0.92
TM8E100C16MP11	CF/CM42D	0.98	1.00	0.90
TM8E100C16MP11	CF/CM64D	1.00	1.02	0.91
TM8E100C16MP11	XAF/XAUC42E	0.98	0.98	0.92
TM8E100C16MP11	XAF/XAUC48F	1.00	0.96	0.94
TM8E100C16MP11	XAF/XAUC60G	0.98	0.99	0.90
TM8E100C16MP11	XAF/XAUD60G	0.98	0.99	0.92
TM8E100C16MP11	XAFD42E	0.98	0.98	0.92
TM8E100C16MP11	XAFD48F	1.00	0.97	0.94
TM8E100C16MP11	XAHC42E	0.98	0.97	0.92
TM8E100C16MP11	XAHC48F	1.00	0.97	0.94
TM8E100C16MP11	XAHC60G	0.98	0.99	0.90
TM8E100C16MP11	XAHD42E	0.98	0.97	0.92
TM8E100C16MP11	XAHD48F	0.99	0.96	0.93
TM8E100C16MP11	XAHD60G	0.98	0.99	0.92
TM8E100C20MP11	CF/CM/CU42C	0.99	1.04	0.92
TM8E100C20MP11	CF/CM/CU48C	1.00	1.05	0.91
TM8E100C20MP11	CF/CM/CU48D	1.00	1.06	0.91
TM8E100C20MP11	CF/CM/CU60C	1.00	1.05	0.93
TM8E100C20MP11	CF/CM/CU60D	1.00	1.06	0.93
TM8E100C20MP11	CF/CM42D	0.99	1.05	0.90
TM8E100C20MP11	CF/CM64D	1.01	1.07	0.92
TM8E100C20MP11	XAF/XAUC42E	0.98	0.95	0.90
TM8E100C20MP11	XAF/XAUC48F	1.00	0.95	0.93
TM8E100C20MP11	XAF/XAUC60G	1.00	0.97	0.93
TM8E100C20MP11	XAF/XAUD60G	1.00	0.97	0.93
TM8E100C20MP11	XAFD42E	0.99	0.97	0.92
TM8E100C20MP11	XAFD48F	0.99	0.94	0.92
TM8E100C20MP11	XAHC42E	0.99	1.01	0.93
TM8E100C20MP11	XAHC48F	1.00	0.94	0.93
TM8E100C20MP11	XAHC60G	1.00	0.97	0.93
TM8E100C20MP11	XAHD42E	0.98	0.95	0.90

FURNACE MULTIPLIERS - 3.5 TON (Continued)

Furnaces	Coil	T.C.	S.C.	kW
TM8V120C20MP12C	CF/CM/CU60D	1.01	1.13	0.94
TM8V120C20MP12C	CF/CM64D	1.01	1.13	0.92
TM8V120C20MP12C	XAF/XAUC42E	1.00	0.97	0.94
TM8V120C20MP12C	XAF/XAUC48F	1.00	0.95	0.93
TM8V120C20MP12C	XAF/XAUC60G	1.01	0.97	0.94
TM8V120C20MP12C	XAF/XAUD60G	1.00	0.97	0.93
TM8V120C20MP12C	XAFD42E	1.00	0.97	0.93
TM8V120C20MP12C	XAFD48F	1.00	0.97	0.93
TM8V120C20MP12C	XAHC42E	1.00	0.96	0.94
TM8V120C20MP12C	XAHC48F	1.00	0.95	0.93
TM8V120C20MP12C	XAHC60G	1.01	0.97	0.94
TM8V120C20MP12C	XAHD42E	0.99	0.95	0.92
TM8V120C20MP12C	XAHD48F	0.99	0.95	0.92
TM8V120C20MP12C	XAHD60G	1.01	0.97	0.94
TM8X080B12MP11	CF42B	0.95	0.98	0.93
TM8X080C16MP11	CF/CM/CU42C	1.00	1.11	0.96
TM8X080C16MP11	CF/CM/CU42D	1.00	1.12	0.94
TM8X080C16MP11	CF/CM/CU48C	1.01	1.12	0.96
TM8X080C16MP11	CF/CM/CU48D	1.01	1.13	0.96
TM8X080C16MP11	CF/CM/CU60C	1.01	1.13	0.94
TM8X080C16MP11	CF/CM/CU60D	1.01	1.14	0.92
TM8X080C16MP11	CF/CM64D	1.01	1.13	0.94
TM8X100C16MP11	CF/CM/CU42C	1.00	1.11	0.96
TM8X100C16MP11	CF/CM/CU42D	1.00	1.12	0.94
TM8X100C16MP11	CF/CM/CU48C	1.01	1.12	0.96
TM8X100C16MP11	CF/CM/CU48D	1.01	1.13	0.96
TM8X100C16MP11	CF/CM/CU60C	1.01	1.13	0.94
TM8X100C16MP11	CF/CM/CU60D	1.01	1.14	0.92
TM8X100C16MP11	CF/CM64D	1.01	1.13	0.94
TM8X100C20MP11	CF/CM/CU42C	1.00	1.12	0.94
TM8X100C20MP11	CF/CM/CU42D	0.99	1.05	0.93
TM8X100C20MP11	CF/CM/CU48C	1.01	1.13	0.92
TM8X100C20MP11	CF/CM/CU48D	1.01	1.15	0.92
TM8X100C20MP11	CF/CM/CU60C	1.01	1.14	0.92
TM8X100C20MP11	CF/CM/CU60D	1.01	1.15	0.92
TM8X100C20MP11	CF/CM64D	1.01	1.13	0.91
TM8X120C20MP11	CF/CM/CU42C	1.00	1.12	0.94
TM8X120C20MP11	CF/CM/CU42D	0.99	1.05	0.93
TM8X120C20MP11	CF/CM/CU48C	1.01	1.13	0.92
TM8X120C20MP11	CF/CM/CU48D	1.01	1.15	0.92
TM8X120C20MP11	CF/CM/CU60C	1.01	1.14	0.92
TM8X120C20MP11	CF/CM/CU60D	1.01	1.15	0.92
TM8X120C20MP11	CF/CM64D	1.01	1.13	0.91
TM8Y080B12MP11	CF42B	0.95	0.98	0.93
TM8Y080B12MP11	XAF/XAUC60G	0.99	0.96	0.93
TM8Y080B12MP11	XAHC60G	0.99	0.97	0.93
TM8Y080C16MP11	CF/CM/CU42C	1.00	1.11	0.96
TM8Y080C16MP11	CF/CM/CU42D	1.00	1.12	0.94
TM8Y080C16MP11	CF/CM/CU48C	1.01	1.12	0.96
TM8Y080C16MP11	CF/CM/CU48D	1.01	1.13	0.96
TM8Y080C16MP11	CF/CM/CU60C	1.01	1.13	0.94
TM8Y080C16MP11	CF/CM/CU60D	1.01	1.14	0.92
TM8Y080C16MP11	CF/CM64D	1.01	1.13	0.94
TM8Y080C16MP11	XAF/XAUC42E	0.98	1.00	0.92
TM8Y080C16MP11	XAF/XAUC48F	1.00	0.99	0.94
TM8Y080C16MP11	XAF/XAUC60G	0.98	1.02	0.96

FURNACE MULTIPLIERS - 3.5 TON (Continued)

Furnaces	Coil	T.C.	S.C.	kW
TM8Y080C16MP11	XAF/XAUD60G	0.98	1.02	0.96
TM8Y080C16MP11	XAFD42E	0.98	1.01	0.92
TM8Y080C16MP11	XAFD48F	1.00	0.99	0.94
TM8Y080C16MP11	XAHC42E	0.98	0.99	0.92
TM8Y080C16MP11	XAHC48F	1.00	0.99	0.94
TM8Y080C16MP11	XAHC60G	1.01	0.97	0.92
TM8Y080C16MP11	XAHD42E	0.98	1.00	0.92
TM8Y080C16MP11	XAHD48F	1.00	0.99	0.94
TM8Y080C16MP11	XAHD60G	0.98	1.02	0.96
TM8Y100C16MP11	CF/CM/CU42C	1.00	1.11	0.96
TM8Y100C16MP11	CF/CM/CU42D	1.00	1.12	0.94
TM8Y100C16MP11	CF/CM/CU48C	1.01	1.12	0.96
TM8Y100C16MP11	CF/CM/CU48D	1.01	1.13	0.96
TM8Y100C16MP11	CF/CM/CU60C	1.01	1.13	0.94
TM8Y100C16MP11	CF/CM/CU60D	1.01	1.14	0.92
TM8Y100C16MP11	CF/CM64D	1.01	1.13	0.94
TM8Y100C16MP11	XAF/XAUC42E	0.98	1.00	0.92
TM8Y100C16MP11	XAF/XAUC48F	1.00	0.99	0.94
TM8Y100C16MP11	XAF/XAUC60G	0.98	1.02	0.96
TM8Y100C16MP11	XAF/XAUD60G	0.98	1.02	0.96
TM8Y100C16MP11	XAFD42E	0.98	1.01	0.92
TM8Y100C16MP11	XAFD48F	1.00	0.99	0.94
TM8Y100C16MP11	XAHC42E	0.98	0.99	0.92
TM8Y100C16MP11	XAHC48F	1.00	0.99	0.94
TM8Y100C16MP11	XAHC60G	1.01	0.97	0.92
TM8Y100C16MP11	XAHD42E	0.98	1.00	0.92
TM8Y100C16MP11	XAHD48F	1.00	0.99	0.94
TM8Y100C16MP11	XAHD60G	0.98	1.02	0.96
TM8Y100C20MP11	CF/CM/CU42C	1.00	1.12	0.94
TM8Y100C20MP11	CF/CM/CU42D	0.99	1.05	0.93
TM8Y100C20MP11	CF/CM/CU48C	1.01	1.13	0.92
TM8Y100C20MP11	CF/CM/CU48D	1.01	1.15	0.92
TM8Y100C20MP11	CF/CM/CU60C	1.01	1.14	0.92
TM8Y100C20MP11	CF/CM/CU60D	1.01	1.15	0.92
TM8Y100C20MP11	CF/CM64D	1.01	1.13	0.91
TM8Y100C20MP11	XAF/XAUC42E	0.99	1.01	0.93
TM8Y100C20MP11	XAF/XAUC48F	1.00	0.94	0.93
TM8Y100C20MP11	XAF/XAUC60G	1.00	0.97	0.91
TM8Y100C20MP11	XAF/XAUD60G	1.00	0.97	0.91
TM8Y100C20MP11	XAFD42E	0.99	1.01	0.92
TM8Y100C20MP11	XAFD48F	0.99	0.94	0.92
TM8Y100C20MP11	XAHC42E	0.99	0.99	0.93
TM8Y100C20MP11	XAHC48F	0.99	0.94	0.90
TM8Y100C20MP11	XAHC60G	1.00	0.97	0.91
TM8Y100C20MP11	XAHD42E	0.99	0.99	0.93
TM8Y100C20MP11	XAHD48F	0.99	0.94	0.92
TM8Y100C20MP11	XAHD60G	1.00	0.97	0.91
TM8Y120C20MP11	CF/CM/CU42C	1.00	1.12	0.94
TM8Y120C20MP11	CF/CM/CU42D	0.99	1.05	0.93
TM8Y120C20MP11	CF/CM/CU48C	1.01	1.13	0.92
TM8Y120C20MP11	CF/CM/CU48D	1.01	1.15	0.92
TM8Y120C20MP11	CF/CM/CU60C	1.01	1.14	0.92
TM8Y120C20MP11	CF/CM/CU60D	1.01	1.15	0.92
TM8Y120C20MP11	CF/CM64D	1.01	1.13	0.91
TM8Y120C20MP11	XAF/XAUC42E	0.99	1.01	0.93
TM8Y120C20MP11	XAF/XAUC48F	1.00	0.94	0.93

FURNACE MULTIPLIERS - 3.5 TON (Continued)

Furnaces	Coil	T.C.	S.C.	kW
TM8Y120C20MP11	XAF/XAUC60G	1.00	0.97	0.91
TM8Y120C20MP11	XAF/XAUD60G	1.00	0.97	0.91
TM8Y120C20MP11	XAFD42E	0.99	1.01	0.92
TM8Y120C20MP11	XAFD48F	0.99	0.94	0.92
TM8Y120C20MP11	XAHC42E	0.99	0.99	0.93
TM8Y120C20MP11	XAHC48F	0.99	0.94	0.90
TM8Y120C20MP11	XAHC60G	1.00	0.97	0.91
TM8Y120C20MP11	XAHD42E	0.99	0.99	0.93
TM8Y120C20MP11	XAHD48F	0.99	0.94	0.92
TM8Y120C20MP11	XAHD60G	1.00	0.97	0.91
TM9E060B12MP11	CF/CM/CU42C	0.98	1.00	0.98
TM9E060B12MP11	CF/CM/CU48C	0.99	1.01	0.97
TM9E060B12MP11	CF/CM/CU60C	0.98	0.99	1.00
TM9E060B12MP12	CF/CM/CU42C	0.96	0.98	0.96
TM9E060B12MP12	CF/CM/CU48C	0.98	0.98	0.96
TM9E060B12MP12	CF/CM/CU60C	0.96	0.97	0.98
TM9E060B12MP12	XAF/XAUC60G	0.96	0.97	0.98
TM9E060B12MP12	XAHC60G	0.96	0.97	0.98
TM9E080B12MP12	CF/CM/CU42C	0.98	1.03	0.98
TM9E080B12MP12	CF/CM/CU48C	0.99	1.04	0.99
TM9E080B12MP12	CF/CM/CU60C	0.99	1.04	0.99
TM9E080B12MP12	XAF/XAUC42E	0.98	0.97	0.98
TM9E080B12MP12	XAF/XAUC48F	0.98	0.94	0.98
TM9E080B12MP12	XAF/XAUC60G	0.99	0.97	0.99
TM9E080B12MP12	XAHC42E	0.98	0.95	0.98
TM9E080B12MP12	XAHC60G	0.99	0.97	0.99
TM9E080C16MP11	CF/CM/CU42C	0.99	1.01	0.95
TM9E080C16MP11	CF/CM/CU48C	0.99	1.00	0.93
TM9E080C16MP11	CF/CM/CU48D	1.00	1.01	0.93
TM9E080C16MP11	CF/CM/CU60C	0.98	0.99	0.92
TM9E080C16MP11	CF/CM/CU60D	1.00	1.03	0.94
TM9E080C16MP11	CF/CM42D	0.99	1.01	0.95
TM9E080C16MP11	CF/CM64D	1.01	1.03	0.92
TM9E080C16MP12	CF/CM/CU42C	0.99	1.05	0.93
TM9E080C16MP12	CF/CM/CU48C	0.99	0.99	0.92
TM9E080C16MP12	CF/CM/CU48D	0.99	0.99	0.92
TM9E080C16MP12	CF/CM/CU60C	1.00	1.06	0.94
TM9E080C16MP12	CF/CM/CU60D	0.98	0.99	0.92
TM9E080C16MP12	CF/CM42D	0.96	0.98	0.91
TM9E080C16MP12	CF/CM64D	1.00	1.01	0.91
TM9E080C16MP12	XAF/XAUC42E	0.98	0.96	0.92
TM9E080C16MP12	XAF/XAUC48F	0.99	0.95	0.93
TM9E080C16MP12	XAF/XAUC60G	1.00	0.97	0.94
TM9E080C16MP12	XAF/XAUD60G	0.98	0.97	0.92
TM9E080C16MP12	XAFD42E	0.96	0.97	0.91
TM9E080C16MP12	XAFD48F	0.99	0.95	0.93
TM9E080C16MP12	XAHC42E	0.96	0.95	0.91
TM9E080C16MP12	XAHC48F	0.99	0.95	0.93
TM9E080C16MP12	XAHC60G	1.00	0.99	0.94
TM9E080C16MP12	XAHD42E	0.96	0.96	0.91
TM9E080C16MP12	XAHD48F	0.99	0.95	0.93
TM9E080C16MP12	XAHD60G	0.98	0.97	0.92
TM9E080C20MP12	CF/CM/CU42C	0.99	1.04	0.92
TM9E080C20MP12	CF/CM/CU48C	1.00	1.05	0.91
TM9E080C20MP12	CF/CM/CU48D	1.00	1.05	0.91
TM9E080C20MP12	CF/CM/CU60C	1.00	1.04	0.93
TM9E080C20MP12	CF/CM/CU60D	1.00	1.05	0.93
TM9E080C20MP12	CF/CM42D	0.99	1.04	0.92
TM9E080C20MP12	CF/CM64D	1.01	1.05	0.92
TM9E080C20MP12	XAF/XAUC42E	0.99	1.01	0.93

FURNACE MULTIPLIERS - 3.5 TON (Continued)

Furnaces	Coil	T.C.	S.C.	kW
TM9E080C20MP12	CF/CM/CU60D	1.00	1.05	0.93
TM9E080C20MP12	CF/CM42D	0.99	1.04	0.90
TM9E080C20MP12	CF/CM64D	1.01	1.07	0.92
TM9E080C20MP12	XAF/XAUC42E	0.99	1.01	0.93
TM9E080C20MP12	XAF/XAUC48F	1.00	0.94	0.93
TM9E080C20MP12	XAF/XAUC60G	1.00	0.97	0.93
TM9E080C20MP12	XAF/XAUD60G	1.00	0.97	0.93
TM9E080C20MP12	XAFD42E	0.99	0.95	0.92
TM9E080C20MP12	XAFD48F	0.99	0.94	0.92
TM9E080C20MP12	XAHC42E	0.99	1.00	0.93
TM9E080C20MP12	XAHC48F	1.00	0.94	0.91
TM9E080C20MP12	XAHC60G	1.00	0.97	0.93
TM9E080C20MP12	XAHD42E	0.99	1.01	0.93
TM9E080C20MP12	XAHD48F	0.99	0.94	0.92
TM9E080C20MP12	XAHD60G	1.00	0.95	0.93
TM9E100C16MP11	CF/CM/CU42C	0.98	1.05	0.94
TM9E100C16MP11	CF/CM/CU42D	0.98	1.06	0.94
TM9E100C16MP11	CF/CM/CU48C	0.99	1.06	0.93
TM9E100C16MP11	CF/CM/CU48D	1.00	1.08	0.93
TM9E100C16MP11	CF/CM/CU60C	0.99	1.07	0.93
TM9E100C16MP11	CF/CM/CU60D	1.00	1.09	0.94
TM9E100C16MP11	CF/CM64D	1.01	1.09	0.92
TM9E100C16MP12	CF/CM/CU42C	0.99	1.05	0.93
TM9E100C16MP12	CF/CM/CU48C	1.00	1.06	0.94
TM9E100C16MP12	CF/CM/CU48D	1.00	1.07	0.94
TM9E100C16MP12	CF/CM/CU60C	1.00	1.06	0.94
TM9E100C16MP12	CF/CM/CU60D	1.00	1.07	0.94
TM9E100C16MP12	CF/CM42D	0.99	1.06	0.93
TM9E100C16MP12	CF/CM64D	1.01	1.08	0.94
TM9E100C16MP12	XAF/XAUC42E	0.99	0.97	0.93
TM9E100C16MP12	XAF/XAUC48F	1.00	0.95	0.94
TM9E100C16MP12	XAF/XAUC60G	1.00	0.99	0.94
TM9E100C16MP12	XAF/XAUD60G	1.00	0.99	0.94
TM9E100C16MP12	XAFD42E	0.99	0.97	0.93
TM9E100C16MP12	XAFD48F	0.99	0.95	0.93
TM9E100C16MP12	XAHC42E	0.99	0.96	0.93
TM9E100C16MP12	XAHC48F	1.00	0.95	0.94
TM9E100C16MP12	XAHC60G	1.00	0.99	0.94
TM9E100C16MP12	XAHD42E	0.99	0.96	0.95
TM9E100C16MP12	XAHD48F	0.99	0.95	0.93
TM9E100C16MP12	XAHD60G	1.00	0.97	0.94
TM9E100C20MP11	CF/CM/CU42C	0.99	1.09	0.93
TM9E100C20MP11	CF/CM/CU42D	1.00	1.11	0.94
TM9E100C20MP11	CF/CM/CU48C	1.00	1.10	0.93
TM9E100C20MP11	CF/CM/CU48D	1.01	1.12	0.94
TM9E100C20MP11	CF/CM/CU60C	1.01	1.12	0.94
TM9E100C20MP11	CF/CM/CU60D	1.01	1.13	0.92
TM9E100C20MP11	CF/CM64D	1.01	1.13	0.92
TM9E100C20MP12	CF/CM/CU42C	0.99	1.04	0.92
TM9E100C20MP12	CF/CM/CU48C	1.00	1.05	0.91
TM9E100C20MP12	CF/CM/CU48D	1.00	1.05	0.91
TM9E100C20MP12	CF/CM/CU60C	1.00	1.04	0.93
TM9E100C20MP12	CF/CM/CU60D	1.00	1.05	0.93
TM9E100C20MP12	CF/CM42D	0.99	1.04	0.92
TM9E100C20MP12	CF/CM64D	1.01	1.05	0.92
TM9E100C20MP12	XAF/XAUC42E	0.99	1.01	0.93

FURNACE MULTIPLIERS - 3.5 TON (Continued)

Furnaces	Coil	T.C.	S.C.	kW
TM9E100C20MP12	XAF/XAUC48F	1.00	0.99	0.94
TM9E100C20MP12	XAF/XAUC60G	1.00	0.97	0.93
TM9E100C20MP12	XAF/XAUD60G	1.00	0.97	0.93
TM9E100C20MP12	XAFD42E	0.99	1.02	0.93
TM9E100C20MP12	XAFD48F	0.99	0.94	0.92
TM9E100C20MP12	XAHC42E	0.99	1.00	0.93
TM9E100C20MP12	XAHC48F	1.00	0.94	0.91
TM9E100C20MP12	XAHC60G	1.00	0.97	0.93
TM9E100C20MP12	XAHD42E	0.99	1.01	0.93
TM9E100C20MP12	XAHD48F	0.99	0.94	0.92
TM9E100C20MP12	XAHD60G	1.00	1.02	0.93
TM9E120D20MP11	CF/CM/CU42D	0.99	1.05	0.93
TM9E120D20MP11	CF/CM/CU48D	1.01	1.15	0.92
TM9E120D20MP11	CF/CM/CU60D	1.01	1.15	0.92
TM9E120D20MP11	CF/CM64D	1.01	1.08	0.91
TM9E120D20MP12	CF/CM/CU48D	1.00	1.05	0.91
TM9E120D20MP12	CF/CM/CU60D	1.00	1.05	0.93
TM9E120D20MP12	CF/CM42D	0.99	1.04	0.92
TM9E120D20MP12	CF/CM64D	1.01	1.07	0.92
TM9E120D20MP12	XAF/XAUD60G	1.00	0.97	0.93
TM9E120D20MP12	XAFD42E	0.99	0.95	0.92
TM9E120D20MP12	XAFD48F	1.00	0.95	0.93
TM9E120D20MP12	XAHD42E	0.99	1.02	0.93
TM9E120D20MP12	XAHD48F	1.00	0.94	0.93
TM9E120D20MP12	XAHD60G	1.00	0.95	0.93
TM9V060B12MP12C	XAHC60G	0.96	0.96	0.98
TM9V080B12MP12C	CF42B	0.94	0.97	0.96
TM9V080B12MP12C	XAF/XAUC42E	0.98	0.97	0.98
TM9V080B12MP12C	XAF/XAUC48F	0.98	0.95	0.98
TM9V080B12MP12C	XAF/XAUC60G	0.99	0.97	0.97
TM9V080B12MP12C	XAHC60G	0.99	0.97	0.97
TM9V080C16MP11C	CF/CM/CU42C	0.99	1.03	0.95
TM9V080C16MP11C	CF/CM/CU48C	1.00	1.04	0.94
TM9V080C16MP11C	CF/CM/CU48D	1.00	1.04	0.93
TM9V080C16MP11C	CF/CM/CU60C	0.99	1.03	0.93
TM9V080C16MP11C	CF/CM/CU60D	0.99	1.03	0.93
TM9V080C16MP11C	CF/CM42D	0.99	1.03	0.95
TM9V080C16MP11C	CF/CM64D	1.01	1.05	0.94
TM9V080C16MP12C	CF/CM/CU42C	0.99	1.03	0.95
TM9V080C16MP12C	CF/CM/CU48C	1.00	1.04	0.94
TM9V080C16MP12C	CF/CM/CU48D	1.00	1.04	0.93
TM9V080C16MP12C	CF/CM/CU60C	0.99	1.03	0.93
TM9V080C16MP12C	CF/CM/CU60D	0.99	1.03	0.93
TM9V080C16MP12C	CF/CM42D	0.99	1.03	0.95
TM9V080C16MP12C	CF/CM64D	1.01	1.05	0.94
TM9V080C16MP12C	XAF/XAUC42E	0.99	0.96	0.93
TM9V080C16MP12C	XAF/XAUC48F	0.99	0.94	0.93
TM9V080C16MP12C	XAF/XAUC60G	0.99	0.97	0.93
TM9V080C16MP12C	XAF/XAUD60G	0.99	0.97	0.93
TM9V080C16MP12C	XAFD42E	0.99	0.96	0.95
TM9V080C16MP12C	XAFD48F	0.98	0.94	0.92
TM9V080C16MP12C	XAHC42E	0.99	0.97	0.97
TM9V080C16MP12C	XAHC48F	0.99	0.94	0.93
TM9V080C16MP12C	XAHC60G	0.99	0.97	0.93
TM9V080C16MP12C	XAHD42E	0.99	0.96	0.97
TM9V080C16MP12C	XAHD48F	0.98	0.94	0.92

FURNACE MULTIPLIERS - 3.5 TON (Continued)

Furnaces	Coil	T.C.	S.C.	kW
TM9V080C16MP12C	XAHD60G	0.99	0.97	0.93
TM9V100C16MP12C	CF/CM/CU42C	0.99	1.08	0.95
TM9V100C16MP12C	CF/CM/CU42D	0.99	1.07	0.90
TM9V100C16MP12C	CF/CM/CU48C	1.00	1.07	0.94
TM9V100C16MP12C	CF/CM/CU48D	1.00	1.08	0.93
TM9V100C16MP12C	CF/CM/CU60C	1.01	1.11	0.94
TM9V100C16MP12C	CF/CM/CU60D	1.00	1.09	0.94
TM9V100C16MP12C	CF/CM64D	1.01	1.09	0.94
TM9V100C16MP12C	XAF/XAUC42E	0.99	0.96	0.93
TM9V100C16MP12C	XAF/XAUC48F	1.00	0.95	0.94
TM9V100C16MP12C	XAF/XAUC60G	1.01	0.97	0.94
TM9V100C16MP12C	XAF/XAUD60G	1.00	0.97	0.94
TM9V100C16MP12C	XAFD42E	0.99	0.96	0.93
TM9V100C16MP12C	XAFD48F	0.99	0.95	0.93
TM9V100C16MP12C	XAHC42E	0.99	0.95	0.93
TM9V100C16MP12C	XAHC48F	1.00	0.95	0.94
TM9V100C16MP12C	XAHC60G	1.01	0.97	0.94
TM9V100C16MP12C	XAHD42E	0.99	0.96	0.93
TM9V100C16MP12C	XAHD48F	0.99	0.95	0.93
TM9V100C16MP12C	XAHD60G	1.00	0.96	0.94
TM9V100C20MP12C	CF/CM/CU42C	0.99	1.09	0.97
TM9V100C20MP12C	CF/CM/CU42D	1.00	1.11	0.91
TM9V100C20MP12C	CF/CM/CU48C	1.01	1.11	0.96
TM9V100C20MP12C	CF/CM/CU48D	1.01	1.11	0.94
TM9V100C20MP12C	CF/CM/CU60C	0.99	1.06	0.93
TM9V100C20MP12C	CF/CM/CU60D	1.01	1.12	0.94
TM9V100C20MP12C	CF/CM64D	1.01	1.11	0.92
TM9V100C20MP12C	XAF/XAUC42E	0.99	0.96	0.93
TM9V100C20MP12C	XAF/XAUC48F	1.00	0.95	0.94
TM9V100C20MP12C	XAF/XAUC60G	0.99	0.97	0.93
TM9V100C20MP12C	XAF/XAUD60G	1.00	0.97	0.93
TM9V100C20MP12C	XAFD42E	0.99	0.96	0.93
TM9V100C20MP12C	XAFD48F	0.99	0.95	0.93
TM9V100C20MP12C	XAHC42E	0.99	0.96	0.95
TM9V100C20MP12C	XAHC48F	1.00	0.95	0.94
TM9V100C20MP12C	XAHC60G	0.99	0.97	0.93
TM9V100C20MP12C	XAHD42E	0.99	0.96	0.93
TM9V100C20MP12C	XAHD48F	0.99	0.95	0.93
TM9V100C20MP12C	XAHD60G	1.01	0.96	0.94
TM9V120D20MP12C	CF/CM/CU42D	1.00	1.12	0.96
TM9V120D20MP12C	CF/CM/CU48D	1.01	1.13	0.94
TM9V120D20MP12C	CF/CM/CU60D	1.01	1.14	0.92
TM9V120D20MP12C	CF/CM64D	1.01	1.13	0.92
TM9V120D20MP12C	XAF/XAUD60G	1.01	0.97	0.92
TM9V120D20MP12C	XAFD42E	1.00	0.95	0.94
TM9V120D20MP12C	XAFD48F	1.00	0.94	0.93
TM9V120D20MP12C	XAHD42E	1.00	0.95	0.94
TM9V120D20MP12C	XAHD48F	1.00	0.94	0.93
TM9V120D20MP12C	XAHD60G	1.01	0.95	0.92
TM9Y060B12MP11	CF/CM/CU42C	0.98	1.00	0.98
TM9Y060B12MP11	CF/CM/CU48C	0.99	1.01	0.97
TM9Y060B12MP11	CF/CM/CU60C	0.98	0.99	1.00
TM9Y080B12MP11	XAHC60G	0.99	0.99	1.01
TM9Y080C16MP11	CF/CM/CU42C	0.99	1.01	0.95
TM9Y080C16MP11	CF/CM/CU48C	0.99	1.00	0.93
TM9Y080C16MP11	CF/CM/CU48D	1.00	1.01	0.93

FURNACE MULTIPLIERS - 3.5 TON (Continued)

Furnaces	Coil	T.C.	S.C.	kW
TM9Y080C16MP11	CF/CM/CU60C	0.98	0.99	0.92
TM9Y080C16MP11	CF/CM/CU60D	1.00	1.03	0.94
TM9Y080C16MP11	CF/CM42D	0.99	1.01	0.95
TM9Y080C16MP11	CF/CM64D	1.01	1.03	0.92
TM9Y080C16MP11	XAF/XAUC42E	0.96	0.96	0.93
TM9Y080C16MP11	XAF/XAUC48F	0.99	0.95	0.97
TM9Y080C16MP11	XAF/XAUC60G	0.99	0.97	0.93
TM9Y080C16MP11	XAF/XAUD60G	0.98	0.97	0.92
TM9Y080C16MP11	XAFD42E	0.96	0.96	0.93
TM9Y080C16MP11	XAFD48F	0.98	0.95	0.92
TM9Y080C16MP11	XAHC42E	0.96	0.95	0.93
TM9Y080C16MP11	XAHC48F	0.99	0.95	0.93
TM9Y080C16MP11	XAHC60G	0.99	0.99	0.93
TM9Y080C16MP11	XAHD42E	0.96	0.96	0.93
TM9Y080C16MP11	XAHD48F	0.99	0.95	0.93
TM9Y080C16MP11	XAHD60G	0.99	0.97	0.93
TM9Y100C16MP11	CF/CM/CU42C	0.98	1.05	0.94
TM9Y100C16MP11	CF/CM/CU42D	0.98	1.06	0.94
TM9Y100C16MP11	CF/CM/CU48C	0.99	1.06	0.93
TM9Y100C16MP11	CF/CM/CU48D	1.00	1.08	0.93
TM9Y100C16MP11	CF/CM/CU60C	0.99	1.07	0.93
TM9Y100C16MP11	CF/CM/CU60D	1.00	1.09	0.94
TM9Y100C16MP11	CF/CM64D	1.01	1.09	0.92
TM9Y100C16MP11	XAF/XAUC42E	0.98	0.96	0.92
TM9Y100C16MP11	XAF/XAUC48F	1.00	0.95	0.94
TM9Y100C16MP11	XAF/XAUC60G	0.98	0.97	0.92
TM9Y100C16MP11	XAF/XAUD60G	0.98	0.99	0.92
TM9Y100C16MP11	XAFD42E	0.98	0.97	0.92
TM9Y100C16MP11	XAFD48F	0.99	0.95	0.93
TM9Y100C16MP11	XAHC42E	0.98	0.95	0.92
TM9Y100C16MP11	XAHC48F	0.99	0.95	0.93
TM9Y100C16MP11	XAHC60G	0.98	0.99	0.92
TM9Y100C16MP11	XAHD42E	0.98	0.96	0.92
TM9Y100C16MP11	XAHD48F	0.99	0.95	0.93
TM9Y100C16MP11	XAHD60G	0.98	0.97	0.92
TM9Y100C20MP11	CF/CM/CU42C	0.99	1.09	0.93
TM9Y100C20MP11	CF/CM/CU42D	1.00	1.11	0.94
TM9Y100C20MP11	CF/CM/CU48C	1.00	1.10	0.93
TM9Y100C20MP11	CF/CM/CU48D	1.01	1.12	0.94
TM9Y100C20MP11	CF/CM/CU60C	1.01	1.12	0.94
TM9Y100C20MP11	CF/CM/CU60D	1.01	1.13	0.92
TM9Y100C20MP11	CF/CM64D	1.01	1.13	0.92
TM9Y100C20MP11	XAF/XAUC42E	0.99	0.99	0.93
TM9Y100C20MP11	XAF/XAUC48F	0.99	0.97	0.93
TM9Y100C20MP11	XAF/XAUC60G	0.99	1.00	0.97
TM9Y100C20MP11	XAF/XAUD60G	0.99	1.00	0.97
TM9Y100C20MP11	XAFD42E	0.99	0.99	0.93
TM9Y100C20MP11	XAFD48F	0.99	0.99	0.93
TM9Y100C20MP11	XAHC42E	0.99	0.97	0.97
TM9Y100C20MP11	XAHC48F	0.99	0.97	0.93
TM9Y100C20MP11	XAHC60G	0.99	0.95	0.92
TM9Y100C20MP11	XAHD42E	0.99	0.99	0.93
TM9Y100C20MP11	XAHD48F	0.99	0.97	0.93
TM9Y100C20MP11	XAHD60G	0.99	1.00	0.97
TM9Y120D20MP11	CF/CM/CU42D	0.99	1.05	0.93
TM9Y120D20MP11	CF/CM/CU48D	1.01	1.15	0.92

FURNACE MULTIPLIERS - 3.5 TON (Continued)

Furnaces	Coil	T.C.	S.C.	kW
TM9Y120D20MP11	CF/CM/CU60D	1.01	1.15	0.92
TM9Y120D20MP11	CF/CM64D	1.01	1.08	0.91
TM9Y120D20MP11	XAF/XAUD60G	1.00	0.97	0.91
TM9Y120D20MP11	XAFD42E	0.99	0.95	0.92
TM9Y120D20MP11	XAFD48F	1.00	0.94	0.93
TM9Y120D20MP11	XAHD42E	0.99	1.00	0.93
TM9Y120D20MP11	XAHD48F	1.00	0.94	0.93
TM9Y120D20MP11	XAHD60G	1.00	0.95	0.91
TMLE080B12MP11	XAF/XAUC42E	0.98	0.97	0.98
TMLE080B12MP11	XAF/XAUC48F	0.98	0.94	0.96
TMLE080B12MP11	XAF/XAUC60G	0.99	0.97	0.99
TMLE080B12MP11	XAHC42E	0.98	0.95	0.98
TMLE080B12MP11	XAHC60G	0.99	0.97	0.99
TMLE080C16MP11	XAF/XAUC42E	0.96	0.97	0.91
TMLE080C16MP11	XAF/XAUC48F	0.99	0.95	0.93
TMLE080C16MP11	XAF/XAUC60G	0.98	0.99	0.90
TMLE080C16MP11	XAF/XAUD60G	0.99	0.99	0.92
TMLE080C16MP11	XAFD42E	0.98	0.97	0.92
TMLE080C16MP11	XAFD48F	0.99	0.95	0.93
TMLE080C16MP11	XAHC42E	0.96	0.96	0.91
TMLE080C16MP11	XAHC48F	0.99	0.95	0.93
TMLE080C16MP11	XAHC60G	0.98	0.99	0.90
TMLE080C16MP11	XAHD42E	0.98	0.96	0.92
TMLE080C16MP11	XAHD48F	0.99	0.95	0.93
TMLE080C16MP11	XAHD60G	0.99	0.98	0.92
TMLE080C20MP11	XAF/XAUC42E	0.99	0.95	0.92
TMLE080C20MP11	XAF/XAUC48F	1.00	0.94	0.93
TMLE080C20MP11	XAF/XAUC60G	1.00	0.97	0.93
TMLE080C20MP11	XAF/XAUD60G	1.00	0.97	0.93
TMLE080C20MP11	XAFD42E	0.99	0.97	0.92
TMLE080C20MP11	XAFD48F	0.99	0.94	0.92
TMLE080C20MP11	XAHC42E	0.99	1.02	0.93
TMLE080C20MP11	XAHC48F	1.00	0.94	0.91
TMLE080C20MP11	XAHC60G	1.00	0.97	0.93
TMLE080C20MP11	XAHD42E	0.99	0.95	0.92
TMLE080C20MP11	XAHD48F	0.99	0.94	0.92
TMLE080C20MP11	XAHD60G	1.00	0.97	0.93
TMLE100B12MP11	XAF/XAUC42E	0.96	0.96	0.91
TMLE100B12MP11	XAF/XAUC48F	0.98	0.94	0.96
TMLE100B12MP11	XAF/XAUC60G	0.98	0.97	0.96
TMLE100B12MP11	XAHC42E	0.96	0.96	0.95
TMLE100B12MP11	XAHC60G	0.98	0.97	0.96
TMLE100C16MP11	XAF/XAUC42E	0.98	0.98	0.92
TMLE100C16MP11	XAF/XAUC48F	1.00	0.96	0.94
TMLE100C16MP11	XAF/XAUC60G	0.98	0.99	0.90
TMLE100C16MP11	XAF/XAUD60G	0.98	0.99	0.92
TMLE100C16MP11	XAFD42E	0.98	0.98	0.92
TMLE100C16MP11	XAFD48F	1.00	0.97	0.94
TMLE100C16MP11	XAHC42E	0.98	0.97	0.92
TMLE100C16MP11	XAHC48F	1.00	0.97	0.94
TMLE100C16MP11	XAHC60G	0.98	0.99	0.90
TMLE100C16MP11	XAHD42E	0.98	0.97	0.92
TMLE100C16MP11	XAHD48F	0.99	0.96	0.93
TMLE100C16MP11	XAHD60G	0.98	0.99	0.92
TMLE100C20MP11	XAF/XAUC42E	0.98	0.95	0.90
TMLE100C20MP11	XAF/XAUC48F	1.00	0.95	0.93

FURNACE MULTIPLIERS - 3.5 TON (Continued)

Furnaces	Coil	T.C.	S.C.	kW
TMLE100C20MP11	XAF/XAUC60G	1.00	0.97	0.93
TMLE100C20MP11	XAF/XAUD60G	1.00	0.97	0.93
TMLE100C20MP11	XAFD42E	0.99	0.97	0.92
TMLE100C20MP11	XAFD48F	0.99	0.94	0.92
TMLE100C20MP11	XAHC42E	0.99	1.01	0.93
TMLE100C20MP11	XAHC48F	1.00	0.94	0.93
TMLE100C20MP11	XAHC60G	1.00	0.97	0.93
TMLE100C20MP11	XAHD42E	0.98	0.95	0.90
TMLE100C20MP11	XAHD48F	0.99	0.94	0.92
TMLE100C20MP11	XAHD60G	1.00	0.97	0.93
TMLE120C16MP11	XAF/XAUC42E	0.98	0.98	0.92
TMLE120C16MP11	XAF/XAUC48F	1.00	0.96	0.94
TMLE120C16MP11	XAF/XAUC60G	0.98	0.99	0.90
TMLE120C16MP11	XAF/XAUD60G	0.99	0.99	0.93
TMLE120C16MP11	XAFD42E	0.98	0.98	0.92
TMLE120C16MP11	XAFD48F	1.00	0.97	0.94
TMLE120C16MP11	XAHC42E	0.98	0.97	0.92
TMLE120C16MP11	XAHC48F	1.00	0.97	0.94
TMLE120C16MP11	XAHC60G	0.98	0.99	0.90
TMLE120C16MP11	XAHD42E	0.98	0.97	0.92
TMLE120C16MP11	XAHD48F	1.00	0.97	0.94
TMLE120C16MP11	XAHD60G	0.99	0.99	0.93
TMLE120C20MP11	XAF/XAUC42E	0.99	0.97	0.92
TMLE120C20MP11	XAF/XAUC48F	1.00	0.95	0.93
TMLE120C20MP11	XAF/XAUC60G	1.00	0.98	0.93
TMLE120C20MP11	XAF/XAUD60G	1.00	0.98	0.93
TMLE120C20MP11	XAFD42E	1.00	0.97	0.93
TMLE120C20MP11	XAFD48F	1.00	0.97	0.93
TMLE120C20MP11	XAHC42E	0.99	0.95	0.92
TMLE120C20MP11	XAHC48F	1.00	0.97	0.93
TMLE120C20MP11	XAHC60G	1.00	0.99	0.93
TMLE120C20MP11	XAHD42E	1.00	0.97	0.93
TMLE120C20MP11	XAHD48F	1.00	0.97	0.93
TMLE120C20MP11	XAHD60G	1.00	0.98	0.93
TMLE130D20MP11	XAF/XAUD60G	1.00	0.98	0.91
TMLE130D20MP11	XAFD42E	1.00	0.97	0.93
TMLE130D20MP11	XAFD48F	1.00	0.97	0.91
TMLE130D20MP11	XAHD42E	0.99	0.97	0.93
TMLE130D20MP11	XAHD48F	1.00	0.95	0.93
TMLE130D20MP11	XAHD60G	1.00	0.97	0.91
TMLV080C16MP12C	CF/CM/CU42C	1.00	1.11	0.98
TMLV080C16MP12C	CF/CM/CU42D	1.01	1.12	0.92
TMLV080C16MP12C	CF/CM/CU48C	1.01	1.12	0.96
TMLV080C16MP12C	CF/CM/CU48D	1.01	1.12	0.94
TMLV080C16MP12C	CF/CM/CU60C	1.01	1.13	0.94
TMLV080C16MP12C	CF/CM/CU60D	1.01	1.13	0.94
TMLV080C16MP12C	CF/CM64D	1.01	1.13	0.94
TMLV100C16MP12C	CF/CM/CU42C	1.00	1.11	0.98
TMLV100C16MP12C	CF/CM/CU42D	1.01	1.12	0.92
TMLV100C16MP12C	CF/CM/CU48C	1.01	1.12	0.96
TMLV100C16MP12C	CF/CM/CU48D	1.01	1.12	0.94
TMLV100C16MP12C	CF/CM/CU60C	1.01	1.13	0.94
TMLV100C16MP12C	CF/CM/CU60D	1.01	1.13	0.94
TMLV100C16MP12C	CF/CM64D	1.01	1.13	0.94
TMLV100C20MP11	CF/CM/CU42C	1.00	1.12	0.94
TMLV100C20MP11	CF/CM/CU42D	0.99	1.05	0.93
TMLV100C20MP11	CF/CM/CU48C	1.01	1.13	0.92
TMLV100C20MP11	CF/CM/CU48D	1.01	1.15	0.92
TMLV100C20MP11	CF/CM/CU60C	1.01	1.14	0.92

FURNACE MULTIPLIERS - 3.5 TON (Continued)

Furnaces	Coil	T.C.	S.C.	kW
TMLV100C16MP12C	XAF/XAUC60G	1.01	0.96	0.94
TMLV100C16MP12C	XAF/XAUD60G	1.00	0.96	0.93
TMLV100C16MP12C	XAFD42E	0.99	0.95	0.93
TMLV100C16MP12C	XAFD48F	0.98	0.93	0.92
TMLV100C16MP12C	XAHC42E	1.00	0.95	0.96
TMLV100C16MP12C	XAHC48F	1.00	0.94	0.94
TMLV100C16MP12C	XAHC60G	1.01	0.95	0.94
TMLV100C16MP12C	XAHD42E	0.99	0.95	0.93
TMLV100C16MP12C	XAHD48F	0.98	0.93	0.92
TMLV100C16MP12C	XAHD60G	1.01	0.96	0.94
TMLV100C20MP12C	CF/CM/CU42C	1.00	1.11	0.96
TMLV100C20MP12C	CF/CM/CU42D	1.01	1.12	0.91
TMLV100C20MP12C	CF/CM/CU48C	1.01	1.12	0.94
TMLV100C20MP12C	CF/CM/CU48D	1.01	1.12	0.94
TMLV100C20MP12C	CF/CM/CU60C	1.01	1.13	0.94
TMLV100C20MP12C	CF/CM/CU60D	1.01	1.13	0.94
TMLV100C20MP12C	CF/CM64D	1.01	1.13	0.92
TMLV120C20MP12C	XAF/XAUC42E	1.00	0.97	0.94
TMLV120C20MP12C	XAF/XAUC48F	1.00	0.95	0.93
TMLV120C20MP12C	XAF/XAUC60G	1.01	0.97	0.94
TMLV120C20MP12C	XAF/XAUD60G	1.00	0.97	0.93
TMLV120C20MP12C	XAFD42E	1.00	0.97	0.93
TMLV120C20MP12C	XAFD48F	1.00	0.97	0.93
TMLV120C20MP12C	XAHC42E	1.00	0.96	0.94
TMLV120C20MP12C	XAHC48F	1.00	0.95	0.93
TMLV120C20MP12C	XAHC60G	1.01	0.97	0.94
TMLV120C20MP12C	XAHD42E	0.99	0.95	0.92
TMLV120C20MP12C	XAHD48F	0.99	0.95	0.92
TMLV120C20MP12C	XAHD60G	1.01	0.97	0.94
TMLV120C20MP12C	XAHD60G	1.01	0.97	0.94
TMLX080B12MP11	CF42B	0.95	0.98	0.93
TMLX080C16MP11	CF/CM/CU42C	1.00	1.11	0.96
TMLX080C16MP11	CF/CM/CU42D	1.00	1.12	0.94
TMLX080C16MP11	CF/CM/CU48C	1.01	1.12	0.96
TMLX080C16MP11	CF/CM/CU48D	1.01	1.13	0.96
TMLX080C16MP11	CF/CM/CU60C	1.01	1.13	0.94
TMLX080C16MP11	CF/CM/CU60D	1.01	1.14	0.92
TMLX080C16MP11	CF/CM64D	1.01	1.13	0.94
TMLX100C16MP11	CF/CM/CU42C	1.00	1.11	0.96
TMLX100C16MP11	CF/CM/CU42D	1.00	1.12	0.94
TMLX100C16MP11	CF/CM/CU48C	1.01	1.12	0.96
TMLX100C16MP11	CF/CM/CU48D	1.01	1.13	0.96
TMLX100C16MP11	CF/CM/CU60C	1.01	1.13	0.94
TMLX100C16MP11	CF/CM/CU60D	1.01	1.14	0.92
TMLX100C16MP11	CF/CM64D	1.01	1.13	0.94
TMLX100C20MP11	CF/CM/CU42C	1.00	1.12	0.94
TMLX100C20MP11	CF/CM/CU42D	0.99	1.05	0.93
TMLX100C20MP11	CF/CM/CU48C	1.01	1.13	0.92
TMLX100C20MP11	CF/CM/CU48D	1.01	1.15	0.92
TMLX100C20MP11	CF/CM/CU60C	1.01	1.14	0.92

FURNACE MULTIPLIERS - 3.5 TON (Continued)

Furnaces	Coil	T.C.	S.C.	kW
TMLX100C20MP11	CF/CM/CU60D	1.01	1.15	0.92
TMLX100C20MP11	CF/CM64D	1.01	1.13	0.91
TMLX120C20MP11	CF/CM/CU42C	1.00	1.12	0.94
TMLX120C20MP11	CF/CM/CU42D	0.99	1.05	0.93
TMLX120C20MP11	CF/CM/CU48C	1.01	1.13	0.92
TMLX120C20MP11	CF/CM/CU48D	1.01	1.15	0.92
TMLX120C20MP11	CF/CM/CU60C	1.01	1.14	0.92
TMLX120C20MP11	CF/CM/CU60D	1.01	1.15	0.92
TMLX120C20MP11	CF/CM64D	1.01	1.13	0.91
TP9C060B12MP13C	XAHC60G	0.96	0.96	0.98
TP9C080B12MP13C	CF42B	0.94	0.97	0.96
TP9C080B12MP13C	XAF/XAUC42E	0.98	0.97	0.98
TP9C080B12MP13C	XAF/XAUC48F	0.98	0.95	0.98
TP9C080B12MP13C	XAF/XAUC60G	0.99	0.97	0.97
TP9C080B12MP13C	XAHC60G	0.99	0.97	0.97
TP9C080C16MP13C	CF/CM/CU42C	0.99	1.03	0.95
TP9C080C16MP13C	CF/CM/CU48C	1.00	1.04	0.94
TP9C080C16MP13C	CF/CM/CU48D	1.00	1.04	0.93
TP9C080C16MP13C	CF/CM/CU60C	0.99	1.03	0.93
TP9C080C16MP13C	CF/CM/CU60D	0.99	1.03	0.93
TP9C080C16MP13C	CF/CM42D	0.99	1.03	0.95
TP9C080C16MP13C	CF/CM64D	1.01	1.05	0.94
TP9C080C16MP13C	XAF/XAUC42E	0.99	0.96	0.93
TP9C080C16MP13C	XAF/XAUC48F	0.99	0.94	0.93
TP9C080C16MP13C	XAF/XAUC60G	0.99	0.97	0.93
TP9C080C16MP13C	XAF/XAUD60G	0.99	0.97	0.93
TP9C080C16MP13C	XAFD42E	0.99	0.96	0.95
TP9C080C16MP13C	XAFD48F	0.98	0.94	0.92
TP9C080C16MP13C	XAHC42E	0.99	0.97	0.97
TP9C080C16MP13C	XAHC48F	0.99	0.94	0.93
TP9C080C16MP13C	XAHC60G	0.99	0.97	0.93
TP9C080C16MP13C	XAHD42E	0.99	0.96	0.97
TP9C080C16MP13C	XAHD48F	0.98	0.94	0.92
TP9C080C16MP13C	XAHD60G	0.99	0.97	0.93
TP9C100C16MP13C	CF/CM/CU42C	0.99	1.08	0.95
TP9C100C16MP13C	CF/CM/CU42D	0.99	1.07	0.90
TP9C100C16MP13C	CF/CM/CU48C	1.00	1.07	0.94
TP9C100C16MP13C	CF/CM/CU48D	1.00	1.08	0.93
TP9C100C16MP13C	CF/CM/CU60C	1.01	1.11	0.94
TP9C100C16MP13C	CF/CM/CU60D	1.00	1.09	0.94
TP9C100C16MP13C	CF/CM64D	1.01	1.09	0.94
TP9C100C16MP13C	XAF/XAUC42E	0.99	0.96	0.93
TP9C100C16MP13C	XAF/XAUC48F	1.00	0.95	0.94
TP9C100C16MP13C	XAF/XAUC60G	1.01	0.97	0.94
TP9C100C16MP13C	XAF/XAUD60G	1.00	0.97	0.94
TP9C100C16MP13C	XAFD42E	0.99	0.96	0.93
TP9C100C16MP13C	XAFD48F	0.99	0.95	0.93
TP9C100C16MP13C	XAHC42E	0.99	0.95	0.93
TP9C100C16MP13C	XAHC48F	1.00	0.95	0.94
TP9C100C16MP13C	XAHC60G	1.01	0.97	0.94
TP9C100C16MP13C	XAHD42E	0.99	0.96	0.93
TP9C100C16MP13C	XAHD48F	0.99	0.95	0.93
TP9C100C16MP13C	XAHD60G	1.00	0.96	0.94
TP9C100C20MP13C	CF/CM/CU42C	0.99	1.09	0.97
TP9C100C20MP13C	CF/CM/CU42D	1.00	1.11	0.91
TP9C100C20MP13C	CF/CM/CU48C	1.01	1.11	0.96

FURNACE MULTIPLIERS - 3.5 TON (Continued)

Furnaces	Coil	T.C.	S.C.	kW
TP9C100C20MP13C	CF/CM/CU48D	1.01	1.11	0.94
TP9C100C20MP13C	CF/CM/CU60C	0.99	1.06	0.93
TP9C100C20MP13C	CF/CM/CU60D	1.01	1.12	0.94
TP9C100C20MP13C	CF/CM64D	1.01	1.11	0.92
TP9C100C20MP13C	XAF/XAUC42E	0.99	0.96	0.93
TP9C100C20MP13C	XAF/XAUC48F	1.00	0.95	0.94
TP9C100C20MP13C	XAF/XAUC60G	0.99	0.97	0.93
TP9C100C20MP13C	XAF/XAUD60G	1.00	0.97	0.93
TP9C100C20MP13C	XAFD42E	0.99	0.96	0.93
TP9C100C20MP13C	XAFD48F	0.99	0.95	0.93
TP9C100C20MP13C	XAHC42E	0.99	0.96	0.95
TP9C100C20MP13C	XAHC48F	1.00	0.95	0.94
TP9C100C20MP13C	XAHC60G	0.99	0.97	0.93
TP9C100C20MP13C	XAHD42E	0.99	0.96	0.93
TP9C100C20MP13C	XAHD48F	0.99	0.95	0.93
TP9C100C20MP13C	XAHD60G	1.01	0.96	0.94
TP9C120D20MP13C	CF/CM/CU42D	1.00	1.12	0.96
TP9C120D20MP13C	CF/CM/CU48D	1.01	1.13	0.94
TP9C120D20MP13C	CF/CM/CU60D	1.01	1.14	0.92
TP9C120D20MP13C	CF/CM64D	1.01	1.13	0.92
TP9C120D20MP13C	XAF/XAUD60G	1.01	0.97	0.92
TP9C120D20MP13C	XAFD42E	1.00	0.95	0.94
TP9C120D20MP13C	XAFD48F	1.00	0.94	0.93
TP9C120D20MP13C	XAHD42E	1.00	0.95	0.94
TP9C120D20MP13C	XAHD48F	1.00	0.94	0.93
TP9C120D20MP13C	XAHD60G	1.01	0.95	0.92
TPLC080C16MP13C	CF/CM/CU42C	1.00	1.11	0.98
TPLC080C16MP13C	CF/CM/CU42D	1.01	1.12	0.92
TPLC080C16MP13C	CF/CM/CU48C	1.01	1.12	0.96
TPLC080C16MP13C	CF/CM/CU48D	1.01	1.12	0.94
TPLC080C16MP13C	CF/CM/CU60C	1.01	1.13	0.94
TPLC080C16MP13C	CF/CM/CU60D	1.01	1.13	0.94
TPLC080C16MP13C	CF/CM64D	1.01	1.13	0.94
TPLC080C16MP13C	XAF/XAUC42E	1.00	0.95	0.94
TPLC080C16MP13C	XAF/XAUC48F	0.99	0.93	0.93
TPLC080C16MP13C	XAF/XAUC60G	1.01	0.96	0.94
TPLC080C16MP13C	XAF/XAUD60G	1.00	0.96	0.93
TPLC080C16MP13C	XAFD42E	0.99	0.95	0.93
TPLC080C16MP13C	XAFD48F	0.98	0.93	0.92
TPLC080C16MP13C	XAHC42E	1.00	0.95	0.96
TPLC080C16MP13C	XAHC48F	1.00	0.94	0.94
TPLC080C16MP13C	XAHC60G	1.01	0.95	0.94
TPLC080C16MP13C	XAHD42E	0.99	0.95	0.93
TPLC080C16MP13C	XAHD48F	0.98	0.93	0.92
TPLC080C16MP13C	XAHD60G	1.01	0.96	0.94
TPLC100C16MP13C	CF/CM/CU42C	1.00	1.11	0.98
TPLC100C16MP13C	CF/CM/CU42D	1.01	1.12	0.92
TPLC100C16MP13C	CF/CM/CU48C	1.01	1.12	0.96
TPLC100C16MP13C	CF/CM/CU48D	1.01	1.12	0.94
TPLC100C16MP13C	CF/CM/CU60C	1.01	1.13	0.94
TPLC100C16MP13C	CF/CM/CU60D	1.01	1.13	0.94
TPLC100C16MP13C	CF/CM64D	1.01	1.13	0.94
TPLC100C16MP13C	XAF/XAUC42E	1.00	0.95	0.94
TPLC100C16MP13C	XAF/XAUC48F	0.99	0.93	0.93
TPLC100C16MP13C	XAF/XAUC60G	1.01	0.96	0.94
TPLC100C16MP13C	XAF/XAUD60G	1.00	0.96	0.93

FURNACE MULTIPLIERS - 3.5 TON (Continued)

Furnaces	Coil	T.C.	S.C.	kW
TPLC100C16MP13C	XAFD42E	0.99	0.95	0.93
TPLC100C16MP13C	XAFD48F	0.98	0.93	0.92
TPLC100C16MP13C	XAHC42E	1.00	0.95	0.96
TPLC100C16MP13C	XAHC48F	1.00	0.94	0.94
TPLC100C16MP13C	XAHC60G	1.01	0.95	0.94
TPLC100C16MP13C	XAHD42E	0.99	0.95	0.93
TPLC100C16MP13C	XAHD48F	0.98	0.93	0.92
TPLC100C16MP13C	XAHD60G	1.01	0.96	0.94
TPLC100C20MP13C	CF/CM/CU42C	1.00	1.11	0.96
TPLC100C20MP13C	CF/CM/CU42D	1.01	1.12	0.91
TPLC100C20MP13C	CF/CM/CU48C	1.01	1.12	0.94
TPLC100C20MP13C	CF/CM/CU48D	1.01	1.12	0.94
TPLC100C20MP13C	CF/CM/CU60C	1.01	1.13	0.94
TPLC100C20MP13C	CF/CM/CU60D	1.01	1.13	0.94
TPLC100C20MP13C	CF/CM64D	1.01	1.13	0.92
TPLC100C20MP13C	XAF/XAUC42E	1.00	0.97	0.94
TPLC100C20MP13C	XAF/XAUC48F	1.00	0.95	0.93
TPLC100C20MP13C	XAF/XAUC60G	1.01	0.97	0.94
TPLC100C20MP13C	XAF/XAUD60G	1.00	0.97	0.93
TPLC100C20MP13C	XAFD42E	1.00	0.97	0.93
TPLC100C20MP13C	XAFD48F	1.00	0.97	0.93
TPLC100C20MP13C	XAHC42E	1.00	0.96	0.94
TPLC100C20MP13C	XAHC48F	1.00	0.95	0.93
TPLC100C20MP13C	XAHC60G	1.01	0.97	0.94
TPLC100C20MP13C	XAHD42E	0.99	0.95	0.92
TPLC100C20MP13C	XAHD48F	0.99	0.95	0.92
TPLC100C20MP13C	XAHD60G	1.01	0.97	0.94
TPLC120C20MP13C	CF/CM/CU42C	1.00	1.11	0.96
TPLC120C20MP13C	CF/CM/CU42D	1.01	1.12	0.91
TPLC120C20MP13C	CF/CM/CU48C	1.01	1.12	0.94
TPLC120C20MP13C	CF/CM/CU48D	1.01	1.12	0.94
TPLC120C20MP13C	CF/CM/CU60C	1.01	1.13	0.94
TPLC120C20MP13C	CF/CM/CU60D	1.01	1.13	0.94
TPLC120C20MP13C	CF/CM64D	1.01	1.13	0.92
TPLC120C20MP13C	XAF/XAUC42E	1.00	0.97	0.94
TPLC120C20MP13C	XAF/XAUC48F	1.00	0.95	0.93
TPLC120C20MP13C	XAF/XAUC60G	1.01	0.97	0.94
TPLC120C20MP13C	XAF/XAUD60G	1.00	0.97	0.93
TPLC120C20MP13C	XAFD42E	1.00	0.97	0.93
TPLC120C20MP13C	XAFD48F	1.00	0.97	0.93
TPLC120C20MP13C	XAHC42E	1.00	0.96	0.94
TPLC120C20MP13C	XAHC48F	1.00	0.95	0.93
TPLC120C20MP13C	XAHC60G	1.01	0.97	0.94
TPLC120C20MP13C	XAHD42E	0.99	0.95	0.92
TPLC120C20MP13C	XAHD48F	0.99	0.95	0.92
TPLC120C20MP13C	XAHD60G	1.01	0.97	0.94
YP9C080B12MP13C	XAHC60G	0.96	0.96	0.98
YP9C080B12MP13C	CF42B	0.94	0.97	0.96
YP9C080B12MP13C	XAF/XAUC42E	0.98	0.97	0.98
YP9C080B12MP13C	XAF/XAUC48F	0.98	0.95	0.98
YP9C080B12MP13C	XAF/XAUC60G	0.99	0.97	0.97
YP9C080B12MP13C	XAHC60G	0.99	0.97	0.97
YP9C080C16MP13C	CF/CM/CU42C	0.99	1.03	0.95
YP9C080C16MP13C	CF/CM/CU48C	1.00	1.04	0.94
YP9C080C16MP13C	CF/CM/CU48D	1.00	1.04	0.93
YP9C080C16MP13C	CF/CM/CU60C	0.99	1.03	0.93

FURNACE MULTIPLIERS - 3.5 TON (Continued)

Furnaces	Coil	T.C.	S.C.	kW
YP9C080C16MP13C	CF/CM/CU60D	0.99	1.03	0.93
YP9C080C16MP13C	CF/CM42D	0.99	1.03	0.95
YP9C080C16MP13C	CF/CM64D	1.01	1.05	0.94
YP9C080C16MP13C	XAF/XAUC42E	0.99	0.96	0.93
YP9C080C16MP13C	XAF/XAUC48F	0.99	0.94	0.93
YP9C080C16MP13C	XAF/XAUC60G	0.99	0.97	0.93
YP9C080C16MP13C	XAF/XAUD60G	0.99	0.97	0.93
YP9C080C16MP13C	XAFD42E	0.99	0.96	0.95
YP9C080C16MP13C	XAFD48F	0.98	0.94	0.92
YP9C080C16MP13C	XAHC42E	0.99	0.97	0.97
YP9C080C16MP13C	XAHC48F	0.99	0.94	0.93
YP9C080C16MP13C	XAHC60G	0.99	0.97	0.93
YP9C080C16MP13C	XAHD42E	0.99	0.96	0.97
YP9C080C16MP13C	XAHD48F	0.98	0.94	0.92
YP9C080C16MP13C	XAHD60G	0.99	0.97	0.93
YP9C100C16MP13C	CF/CM/CU42C	0.99	1.08	0.95
YP9C100C16MP13C	CF/CM/CU42D	0.99	1.07	0.90
YP9C100C16MP13C	CF/CM/CU48C	1.00	1.07	0.94
YP9C100C16MP13C	CF/CM/CU48D	1.00	1.08	0.93
YP9C100C16MP13C	CF/CM/CU60C	1.01	1.11	0.94
YP9C100C16MP13C	CF/CM/CU60D	1.00	1.09	0.94
YP9C100C16MP13C	CF/CM64D	1.01	1.09	0.94
YP9C100C16MP13C	XAF/XAUC42E	0.99	0.96	0.93
YP9C100C16MP13C	XAF/XAUC48F	1.00	0.95	0.94
YP9C100C16MP13C	XAF/XAUC60G	1.01	0.97	0.94
YP9C100C16MP13C	XAF/XAUD60G	1.00	0.97	0.94
YP9C100C16MP13C	XAFD42E	0.99	0.96	0.93
YP9C100C16MP13C	XAFD48F	0.99	0.95	0.93
YP9C100C16MP13C	XAHC42E	0.99	0.95	0.93
YP9C100C16MP13C	XAHC48F	1.00	0.95	0.94
YP9C100C16MP13C	XAHC60G	1.01	0.97	0.94
YP9C100C16MP13C	XAHD42E	0.99	0.96	0.93
YP9C100C16MP13C	XAHD48F	0.99	0.95	0.93
YP9C100C16MP13C	XAHD60G	1.00	0.96	0.94
YP9C100C20MP13C	CF/CM/CU42C	0.99	1.09	0.97
YP9C100C20MP13C	CF/CM/CU42D	1.00	1.11	0.91
YP9C100C20MP13C	CF/CM/CU48C	1.01	1.11	0.96
YP9C100C20MP13C	CF/CM/CU48D	1.01	1.11	0.94
YP9C100C20MP13C	CF/CM/CU60C	0.99	1.06	0.93
YP9C100C20MP13C	CF/CM/CU60D	1.01	1.12	0.94
YP9C100C20MP13C	CF/CM64D	1.01	1.11	0.92
YP9C100C20MP13C	XAF/XAUC42E	0.99	0.96	0.93
YP9C100C20MP13C	XAF/XAUC48F	1.00	0.95	0.94
YP9C100C20MP13C	XAF/XAUC60G	0.99	0.97	0.93
YP9C100C20MP13C	XAF/XAUD60G	1.00	0.97	0.93
YP9C100C20MP13C	XAFD42E	0.99	0.96	0.93
YP9C100C20MP13C	XAFD48F	0.99	0.95	0.93
YP9C100C20MP13C	XAHC42E	0.99	0.96	0.95
YP9C100C20MP13C	XAHC48F	1.00	0.95	0.94
YP9C100C20MP13C	XAHC60G	0.99	0.97	0.93
YP9C100C20MP13C	XAHD42E	0.99	0.96	0.93
YP9C100C20MP13C	XAHD48F	0.99	0.95	0.93
YP9C100C20MP13C	XAHD60G	1.01	0.96	0.94
YP9C120D20MP13C	CF/CM/CU42D	1.00	1.12	0.96
YP9C120D20MP13C	CF/CM/CU48D	1.01	1.13	0.94
YP9C120D20MP13C	CF/CM/CU60D	1.01	1.14	0.92

FURNACE MULTIPLIERS - 3.5 TON (Continued)

Furnaces	Coil	T.C.	S.C.	kW
YP9C120D20MP13C	CF/CM64D	1.01	1.13	0.92
YP9C120D20MP13C	XAF/XAUD60G	1.01	0.97	0.92
YP9C120D20MP13C	XAFD42E	1.00	0.95	0.94
YP9C120D20MP13C	XAFD48F	1.00	0.94	0.93
YP9C120D20MP13C	XAHD42E	1.00	0.95	0.94
YP9C120D20MP13C	XAHD48F	1.00	0.94	0.93
YP9C120D20MP13C	XAHD60G	1.01	0.95	0.92
YPLC080C16MP13C	CF/CM/CU42C	1.00	1.11	0.98
YPLC080C16MP13C	CF/CM/CU42D	1.01	1.12	0.92
YPLC080C16MP13C	CF/CM/CU48C	1.01	1.12	0.96
YPLC080C16MP13C	CF/CM/CU48D	1.01	1.12	0.94
YPLC080C16MP13C	CF/CM/CU60C	1.01	1.13	0.94
YPLC080C16MP13C	CF/CM/CU60D	1.01	1.13	0.94
YPLC080C16MP13C	CF/CM64D	1.01	1.13	0.94
YPLC080C16MP13C	XAF/XAUC42E	1.00	0.95	0.94
YPLC080C16MP13C	XAF/XAUC48F	0.99	0.93	0.93
YPLC080C16MP13C	XAF/XAUC60G	1.01	0.96	0.94
YPLC080C16MP13C	XAF/XAUD60G	1.00	0.96	0.93
YPLC080C16MP13C	XAFD42E	0.99	0.95	0.93
YPLC080C16MP13C	XAFD48F	0.98	0.93	0.92
YPLC080C16MP13C	XAHC42E	1.00	0.95	0.96
YPLC080C16MP13C	XAHC48F	1.00	0.94	0.94
YPLC080C16MP13C	XAHC60G	1.01	0.95	0.94
YPLC080C16MP13C	XAHD42E	0.99	0.95	0.93
YPLC080C16MP13C	XAHD48F	0.98	0.93	0.92
YPLC080C16MP13C	XAHD60G	1.01	0.96	0.94
YPLC100C16MP13C	CF/CM/CU42C	1.00	1.11	0.98
YPLC100C16MP13C	CF/CM/CU42D	1.01	1.12	0.92
YPLC100C16MP13C	CF/CM/CU48C	1.01	1.12	0.96
YPLC100C16MP13C	CF/CM/CU48D	1.01	1.12	0.94
YPLC100C16MP13C	CF/CM/CU60C	1.01	1.13	0.94
YPLC100C16MP13C	CF/CM/CU60D	1.01	1.13	0.94
YPLC100C16MP13C	CF/CM64D	1.01	1.13	0.94
YPLC100C16MP13C	XAF/XAUC42E	1.00	0.95	0.94
YPLC100C16MP13C	XAF/XAUC48F	0.99	0.93	0.93
YPLC100C16MP13C	XAF/XAUC60G	1.01	0.96	0.94
YPLC100C16MP13C	XAF/XAUD60G	1.00	0.96	0.93
YPLC100C16MP13C	XAFD42E	0.99	0.95	0.93
YPLC100C16MP13C	XAFD48F	0.98	0.93	0.92
YPLC100C16MP13C	XAHC42E	1.00	0.95	0.96
YPLC100C16MP13C	XAHC48F	1.00	0.94	0.94
YPLC100C16MP13C	XAHC60G	1.01	0.95	0.94
YPLC100C16MP13C	XAHD42E	0.99	0.95	0.93

FURNACE MULTIPLIERS - 3.5 TON (Continued)

Furnaces	Coil	T.C.	S.C.	kW
YPLC100C16MP13C	XAHD48F	0.98	0.93	0.92
YPLC100C16MP13C	XAHD60G	1.01	0.96	0.94
YPLC100C20MP13C	CF/CM/CU42C	1.00	1.11	0.96
YPLC100C20MP13C	CF/CM/CU42D	1.01	1.12	0.91
YPLC100C20MP13C	CF/CM/CU48C	1.01	1.12	0.94
YPLC100C20MP13C	CF/CM/CU48D	1.01	1.12	0.94
YPLC100C20MP13C	CF/CM/CU60C	1.01	1.13	0.94
YPLC100C20MP13C	CF/CM/CU60D	1.01	1.13	0.94
YPLC100C20MP13C	CF/CM64D	1.01	1.13	0.92
YPLC100C20MP13C	XAF/XAUC42E	1.00	0.97	0.94
YPLC100C20MP13C	XAF/XAUC48F	1.00	0.95	0.93
YPLC100C20MP13C	XAF/XAUC60G	1.01	0.97	0.94
YPLC100C20MP13C	XAF/XAUD60G	1.00	0.97	0.93
YPLC100C20MP13C	XAFD42E	1.00	0.97	0.93
YPLC100C20MP13C	XAFD48F	1.00	0.97	0.93
YPLC100C20MP13C	XAHC42E	1.00	0.96	0.94
YPLC100C20MP13C	XAHC48F	1.00	0.95	0.93
YPLC100C20MP13C	XAHC60G	1.01	0.97	0.94
YPLC100C20MP13C	XAHD42E	0.99	0.95	0.92
YPLC100C20MP13C	XAHD48F	0.99	0.95	0.92
YPLC100C20MP13C	XAHD60G	1.01	0.97	0.94
YPLC120C20MP13C	CF/CM/CU42C	1.00	1.11	0.96
YPLC120C20MP13C	CF/CM/CU42D	1.01	1.12	0.91
YPLC120C20MP13C	CF/CM/CU48C	1.01	1.12	0.94
YPLC120C20MP13C	CF/CM/CU48D	1.01	1.12	0.94
YPLC120C20MP13C	CF/CM/CU60C	1.01	1.13	0.94
YPLC120C20MP13C	CF/CM/CU60D	1.01	1.13	0.94
YPLC120C20MP13C	CF/CM64D	1.01	1.13	0.92
YPLC120C20MP13C	XAF/XAUC42E	1.00	0.97	0.94
YPLC120C20MP13C	XAF/XAUC48F	1.00	0.95	0.93
YPLC120C20MP13C	XAF/XAUC60G	1.01	0.97	0.94
YPLC120C20MP13C	XAF/XAUD60G	1.00	0.97	0.93
YPLC120C20MP13C	XAFD42E	1.00	0.97	0.93
YPLC120C20MP13C	XAFD48F	1.00	0.97	0.93
YPLC120C20MP13C	XAHC42E	1.00	0.96	0.94
YPLC120C20MP13C	XAHC48F	1.00	0.95	0.93
YPLC120C20MP13C	XAHC60G	1.01	0.97	0.94
YPLC120C20MP13C	XAHD42E	0.99	0.95	0.92
YPLC120C20MP13C	XAHD48F	0.99	0.95	0.92
YPLC120C20MP13C	XAHD60G	1.01	0.97	0.94

PERFORMANCE DATA - 4 TON

CONDENSER-ONLY DATA (OUTDOOR UNIT)																		
MODEL	SATURATED SUCTION AT COMPRESSOR		Outdoor Ambient Temperature															
			55°F		65°F		75°F		85°F		95°F		105°F		115°F		125°F	
	T (°F)	P (PSIG)	MBH	kW	MBH	kW	MBH	kW	MBH	kW	MBH	kW	MBH	kW	MBH	kW	MBH	kW
YCG48B21S	35	107	43.3	2.60	41.2	2.81	39.0	3.06	36.9	3.36	34.7	3.72	32.3	4.14	29.8	4.61	27.1	5.15
	40	118	47.6	2.58	45.3	2.79	43.0	3.05	40.6	3.35	38.2	3.70	35.7	4.12	33.0	4.61	30.1	5.13
	45	130	52.3	2.57	49.7	2.77	47.2	3.03	44.7	3.33	42.1	3.68	39.4	4.10	36.4	4.59	33.3	5.11
	50	142	57.3	2.55	54.5	2.75	51.8	3.00	49.1	3.31	46.3	3.66	43.3	4.08	40.2	4.57	36.8	5.09
	55	156	62.6	2.52	59.7	2.73	56.8	2.98	53.8	3.28	50.7	3.63	47.5	4.05	44.1	4.54	40.5	5.06

Notes:

- For outdoor unit (condenser) performance only. Data does not include the effects of air handler power or heat.
- Performance based on 15°F subcooling and 15°F superheat at the outdoor unit base valves.
 - Increase capacity by 1% for each 2°F increase in subcooling.
 - Decrease capacity by 1% for each 2°F decrease in subcooling.
- Maximum recommended condensing temperature is 140°F.

COOLING PERFORMANCE DATA																
OUTDOOR UNIT MODEL NO.		YCG48B21S														
INDOOR COIL MODEL NO.		CF60CXA1														
AIR TEMPERATURE ENTERING OUTDOOR UNIT (°F)	ID CFM	1300					1500					1700				
	ID DB (°F)	80	80	75	80	80	80	80	75	80	80	80	80	75	80	80
	ID WB (°F)	57	62	62	67	72	57	62	62	67	72	57	62	62	67	72
55	T.C.	43.4	46.5	45.6	48.0	47.9	44.7	47.2	46.6	48.4	48.1	46.1	47.9	47.6	48.8	48.3
	S.C.	43.4	39.3	32.9	31.5	23.9	44.7	41.0	34.5	32.7	24.6	46.1	42.7	36.1	33.9	25.3
	kW	2.33	2.34	2.34	2.35	2.36	2.40	2.41	2.41	2.43	2.43	2.48	2.49	2.49	2.51	2.51
65	T.C.	41.9	45.3	44.8	48.0	49.5	43.5	46.2	45.8	48.7	49.9	45.1	47.1	46.9	49.5	50.3
	S.C.	41.9	38.8	32.6	31.9	24.4	43.5	41.0	34.5	33.4	25.3	45.1	43.2	36.3	35.0	26.2
	kW	2.56	2.58	2.57	2.59	2.59	2.64	2.66	2.65	2.67	2.66	2.71	2.73	2.72	2.74	2.74
75	T.C.	40.4	44.1	44.0	47.9	51.1	42.3	45.2	45.1	49.0	51.7	44.1	46.2	46.2	50.1	52.2
	S.C.	40.4	38.4	32.3	32.2	24.8	42.3	41.1	34.4	34.2	25.9	44.1	43.8	36.6	36.2	27.0
	kW	2.80	2.83	2.81	2.83	2.82	2.88	2.91	2.88	2.91	2.90	2.95	2.98	2.95	2.98	2.97
85	T.C.	39.1	42.3	42.2	46.2	49.7	40.8	43.4	43.2	47.3	50.4	42.5	44.4	44.2	48.3	51.1
	S.C.	39.1	37.4	31.5	31.5	24.3	40.8	40.1	33.6	33.6	25.5	42.5	42.9	35.8	35.7	26.7
	kW	3.14	3.16	3.14	3.16	3.14	3.21	3.24	3.22	3.24	3.22	3.29	3.31	3.29	3.31	3.30
95	T.C.	37.7	40.4	40.3	44.4	48.4	39.3	41.5	41.3	45.5	49.2	40.8	42.7	42.3	46.6	49.9
	S.C.	37.7	36.4	30.6	30.7	23.8	39.3	39.2	32.8	33.0	25.1	40.8	42.0	35.0	35.3	26.3
	kW	3.48	3.50	3.48	3.50	3.47	3.55	3.57	3.55	3.57	3.55	3.63	3.64	3.63	3.64	3.63
105	T.C.	35.7	37.9	38.0	41.9	45.9	37.2	39.0	38.9	42.9	46.6	38.7	40.1	39.8	43.8	47.4
	S.C.	35.7	34.9	29.5	29.6	22.9	37.2	37.4	31.6	31.8	24.1	38.7	39.9	33.7	34.0	25.4
	kW	4.00	4.01	3.99	4.00	3.96	4.07	4.08	4.07	4.07	4.04	4.14	4.15	4.14	4.13	4.12
115	T.C.	33.8	35.5	35.7	39.5	43.4	35.2	36.5	36.6	40.3	44.2	36.6	37.6	37.4	41.1	44.9
	S.C.	33.8	33.5	28.3	28.6	22.0	35.2	35.6	30.4	30.7	23.2	36.6	37.6	32.5	32.8	24.5
	kW	4.51	4.51	4.49	4.48	4.44	4.57	4.58	4.56	4.55	4.51	4.63	4.64	4.63	4.61	4.59
125	T.C.	31.9	33.1	33.5	37.1	40.9	33.2	34.1	34.2	37.8	41.7	34.5	35.1	35.0	38.5	42.5
	S.C.	31.9	32.0	27.2	27.5	21.0	33.2	33.9	29.2	29.6	22.3	34.5	35.1	31.2	31.6	23.6
	kW	5.01	5.01	4.99	4.96	4.91	5.07	5.07	5.06	5.03	4.99	5.13	5.14	5.13	5.10	5.06

Note: All capacities include indoor fan heat. kW values are for the system (outdoor + indoor).

Green shaded cells are ACCA (TVA) conditions.

Blue shaded cells are AHRI conditions.

Multipliers for determining the performance with other indoor sections

Note: For dry bulb temperatures different than those listed (between 73°F to 87°F), sensible capacity increases by 1060 BTUH per 1000 CFM per degree above the listed temperature and decreases by 1060 BTUH per 1000 CFM per degree below the listed temperature.

COIL MULTIPLIERS - 4 TON

Air Handler	Coil	T.C.	S.C.	kW
—	CF/CM/CU48C	0.99	0.97	1.03
—	CF/CM/CU48D	0.99	0.97	1.03
—	CF/CM/CU60C	1.00	1.00	1.00
—	CF/CM/CU60D	1.01	1.01	1.01
—	CF/CM64D	1.03	1.03	1.01
—	XAF/XAUC48F	0.99	0.98	1.00
—	XAF/XAUC60G	1.00	1.01	1.00
—	XAF/XAUD60G	1.00	1.01	1.00
—	XAFD48F	0.99	0.98	1.00
—	XAHC48F	0.99	0.98	1.00
—	XAHC60G	1.00	1.01	1.00
—	XAHD48F	0.99	0.98	1.00
—	XAHD60G	1.00	1.01	1.00
AE48CX21	—	1.00	0.98	0.96
AE48DX21	—	1.01	0.99	0.94
AE60CX21	—	1.02	1.02	0.95
AE60DX21	—	1.03	1.02	0.94
AP48CX21	—	0.98	0.92	1.00
AP48DX21	—	0.99	0.96	1.01
AP60CX21	—	1.01	1.01	1.03
AP60DX22	—	1.01	1.01	1.01
AP60DX23	—	1.01	1.01	1.01
AVC48CX21	—	1.00	0.96	0.96
AVC48DX21	—	1.01	0.98	0.94
AVC60CX21	—	1.01	0.98	0.94
AVC60DX21	—	1.02	0.97	0.95
ME14DN21	CF/CM60D	1.02	1.01	0.95
ME14DN21	CF/CM64D	1.03	1.00	0.96
ME16CN21	CF/CM48C	1.01	1.01	0.95
ME16CN21	CF/CM60C	1.02	1.02	0.95
ME20DN21	CF/CM48D	1.01	0.99	0.94
ME20DN21	CF/CM60D	1.02	1.02	0.95
ME20DN21	CF/CM64D	1.03	1.02	0.96
MVC14DN21	CF/CM48D	1.00	0.93	0.94
MVC16CN21	CF/CM48C	1.00	0.95	0.94
MVC16CN21	CF/CM60C	1.00	0.96	0.93
MVC20DN21	CF/CM48D	1.00	0.95	0.94
MVC20DN21	CF/CM60D	1.02	0.99	0.95
MVC20DN21	CF/CM64D	1.02	0.99	0.93

FURNACE MULTIPLIERS - 4 TON

Furnaces	Coil	T.C.	S.C.	kW
TL8E080C16UH11	CF/CM/CU48C	0.99	1.02	0.99
TL8E080C16UH11	CF/CM/CU48D	0.99	1.03	0.97
TL8E080C16UH11	CF/CM/CU60C	1.00	1.02	1.00
TL8E080C16UH11	CF/CM64D	1.03	1.07	0.99
TL8E080C16UH11	XAF/XAUC48F	0.99	0.95	0.99
TL8E080C16UH11	XAF/XAUC60G	1.00	0.97	1.00
TL8E080C16UH11	XAF/XAUD60G	1.01	0.97	0.99
TL8E080C16UH11	XAFD48F	0.99	0.95	0.99
TL8E080C16UH11	XAHC48F	0.99	0.95	0.99
TL8E080C16UH11	XAHC60G	1.00	0.98	1.00
TL8E080C16UH11	XAHD48F	0.99	0.95	0.99
TL8E080C16UH11	XAHD60G	1.01	0.97	0.96
TL8E100C20UH11	CF/CM/CU48C	1.00	1.04	0.96

FURNACE MULTIPLIERS - 4 TON (Continued)

Furnaces	Coil	T.C.	S.C.	kW
TL8E100C20UH11	CF/CM/CU48D	1.00	1.04	0.96
TL8E100C20UH11	CF/CM/CU60C	1.00	1.03	0.96
TL8E100C20UH11	CF/CM64D	1.03	1.07	0.98
TL8E100C20UH11	XAF/XAUC48F	0.99	0.95	0.94
TL8E100C20UH11	XAF/XAUC60G	1.00	0.98	0.96
TL8E100C20UH11	XAF/XAUD60G	1.02	0.98	0.98
TL8E100C20UH11	XAFD48F	0.99	0.95	0.97
TL8E100C20UH11	XAHC48F	0.99	0.95	0.94
TL8E100C20UH11	XAHC60G	1.00	0.98	0.96
TL8E100C20UH11	XAHD48F	0.99	0.95	0.97
TL8E100C20UH11	XAHD60G	1.01	0.97	0.97
TL9E080C16UH11	CF/CM/CU48C	0.99	1.02	1.01
TL9E080C16UH11	CF/CM/CU48D	0.99	1.02	0.99
TL9E080C16UH11	CF/CM/CU60C	1.00	1.04	1.02
TL9E080C16UH11	CF/CM64D	1.02	1.05	1.00
TL9E080C16UH11	XAF/XAUC48F	0.99	0.95	1.03
TL9E080C16UH11	XAF/XAUC60G	1.00	0.98	1.02
TL9E080C16UH11	XAF/XAUD60G	1.01	0.98	1.01
TL9E080C16UH11	XAFD48F	0.99	0.95	1.01
TL9E080C16UH11	XAHC48F	0.99	0.95	1.03
TL9E080C16UH11	XAHC60G	1.00	0.98	1.02
TL9E080C16UH11	XAHD48F	0.99	0.95	1.01
TL9E080C16UH11	XAHD60G	1.01	0.98	1.03
TL9E100C20UH11	CF/CM/CU48C	1.00	1.04	0.98
TL9E100C20UH11	CF/CM/CU48D	1.00	1.04	0.96
TL9E100C20UH11	CF/CM/CU60C	1.00	1.03	0.98
TL9E100C20UH11	CF/CM64D	1.03	1.07	0.98
TL9E100C20UH11	XAF/XAUC48F	0.99	0.95	0.99
TL9E100C20UH11	XAF/XAUC60G	1.00	0.98	0.98
TL9E100C20UH11	XAF/XAUD60G	1.01	0.98	0.97
TL9E100C20UH11	XAFD48F	0.99	0.95	0.97
TL9E100C20UH11	XAHC48F	0.99	0.95	0.99
TL9E100C20UH11	XAHC60G	1.00	0.98	0.98
TL9E100C20UH11	XAHD48F	0.99	0.95	0.99
TL9E100C20UH11	XAHD60G	1.01	0.97	0.99
TM8E080B12MP11	CF/CM/CU48C	0.98	0.99	1.00
TM8E080B12MP11	CF/CM/CU60C	0.99	1.01	1.03
TM8E080C16MP11	CF/CM/CU48C	0.97	1.01	1.01
TM8E080C16MP11	CF/CM/CU48D	0.98	1.02	1.02
TM8E080C16MP11	CF/CM/CU60C	1.01	1.08	1.03
TM8E080C16MP11	CF/CM/CU60D	1.01	1.10	1.03
TM8E080C16MP11	CF/CM64D	1.04	1.13	1.04
TM8E080C16MP11	XAF/XAUC48F	0.97	1.00	1.01
TM8E080C16MP11	XAF/XAUC60G	1.01	1.03	1.03
TM8E080C16MP11	XAF/XAUD60G	1.01	1.03	1.03
TM8E080C16MP11	XAFD48F	0.98	1.00	1.02
TM8E080C16MP11	XAHC48F	0.97	1.00	1.01
TM8E080C16MP11	XAHC60G	1.01	1.03	1.03
TM8E080C16MP11	XAHD48F	0.98	1.00	1.02
TM8E080C16MP11	XAHD60G	1.01	1.02	1.03
TM8E080C20MP11	CF/CM/CU48C	1.00	1.05	0.96
TM8E080C20MP11	CF/CM/CU48D	1.01	1.07	0.97
TM8E080C20MP11	CF/CM/CU60C	1.01	1.06	0.99
TM8E080C20MP11	CF/CM/CU60D	1.01	1.07	0.99
TM8E080C20MP11	CF/CM64D	1.04	1.09	0.99
TM8E080C20MP11	XAF/XAUC48F	1.00	0.96	1.00

FURNACE MULTIPLIERS - 4 TON (Continued)

Furnaces	Coil	T.C.	S.C.	kW
TM8E080C20MP11	XAF/XAUC60G	1.01	0.99	0.99
TM8E080C20MP11	XAF/XAUD60G	1.01	0.99	0.99
TM8E080C20MP11	XAFD48F	1.00	0.96	0.98
TM8E080C20MP11	XAHC48F	1.00	0.96	0.95
TM8E080C20MP11	XAHC60G	1.01	0.99	0.99
TM8E080C20MP11	XAHD48F	1.00	0.96	0.98
TM8E080C20MP11	XAHD60G	1.01	0.99	0.99
TM8E100C16MP11	CF/CM/CU48C	0.99	1.00	0.97
TM8E100C16MP11	CF/CM/CU48D	0.99	1.00	0.97
TM8E100C16MP11	CF/CM/CU60C	1.01	1.08	1.03
TM8E100C16MP11	CF/CM/CU60D	0.99	0.99	0.97
TM8E100C16MP11	CF/CM64D	1.01	1.02	0.95
TM8E100C16MP11	XAF/XAUC48F	0.99	1.00	1.03
TM8E100C16MP11	XAF/XAUC60G	1.01	1.03	1.03
TM8E100C16MP11	XAF/XAUD60G	0.99	1.03	0.99
TM8E100C16MP11	XAFD48F	0.99	1.00	1.03
TM8E100C16MP11	XAHC48F	0.99	1.00	1.03
TM8E100C16MP11	XAHC60G	1.00	0.95	1.00
TM8E100C16MP11	XAHD48F	0.99	1.00	1.03
TM8E100C16MP11	XAHD60G	0.99	1.02	1.01
TM8E100C20MP11	CF/CM/CU48C	1.00	1.04	0.98
TM8E100C20MP11	CF/CM/CU48D	1.01	1.06	0.97
TM8E100C20MP11	CF/CM/CU60C	1.00	1.04	0.98
TM8E100C20MP11	CF/CM/CU60D	1.01	1.06	0.99
TM8E100C20MP11	CF/CM64D	1.03	1.08	0.98
TM8E100C20MP11	XAF/XAUC48F	0.99	0.95	0.99
TM8E100C20MP11	XAF/XAUC60G	1.00	0.99	0.98
TM8E100C20MP11	XAF/XAUD60G	1.01	0.99	0.99
TM8E100C20MP11	XAFD48F	0.99	0.95	0.97
TM8E100C20MP11	XAHC48F	0.99	0.95	0.99
TM8E100C20MP11	XAHC60G	1.00	0.99	0.98
TM8E100C20MP11	XAHD48F	0.99	0.95	0.97
TM8E100C20MP11	XAHD60G	1.01	0.98	0.99
TM8E120C16MP11	CF/CM/CU48C	0.99	1.00	0.97
TM8E120C16MP11	CF/CM/CU48D	0.99	1.00	0.95
TM8E120C16MP11	CF/CM/CU60C	0.99	0.99	0.97
TM8E120C16MP11	CF/CM/CU60D	1.00	1.01	0.98
TM8E120C16MP11	CF/CM64D	1.01	1.02	0.95
TM8E120C16MP11	XAF/XAUC48F	0.99	1.00	1.03
TM8E120C16MP11	XAF/XAUC60G	0.99	1.03	0.99
TM8E120C16MP11	XAF/XAUD60G	1.00	1.03	1.00
TM8E120C16MP11	XAFD48F	0.99	1.00	1.03
TM8E120C16MP11	XAHC48F	0.99	1.00	1.03
TM8E120C16MP11	XAHC60G	0.99	0.95	0.97
TM8E120C16MP11	XAHD48F	0.99	1.00	1.03
TM8E120C16MP11	XAHD60G	1.00	1.03	1.00
TM8E120C20MP11	CF/CM/CU48C	1.00	1.04	0.96
TM8E120C20MP11	CF/CM/CU48D	1.01	1.06	0.97
TM8E120C20MP11	CF/CM/CU60C	1.01	1.05	0.97
TM8E120C20MP11	CF/CM/CU60D	0.99	1.00	0.95
TM8E120C20MP11	CF/CM64D	1.03	1.08	0.98
TM8E120C20MP11	XAF/XAUC48F	0.99	0.95	0.95
TM8E120C20MP11	XAF/XAUC60G	1.01	0.99	0.97
TM8E120C20MP11	XAF/XAUD60G	0.99	0.99	0.95
TM8E120C20MP11	XAFD48F	1.00	0.96	0.98
TM8E120C20MP11	XAHC48F	0.99	0.95	0.95

FURNACE MULTIPLIERS - 4 TON (Continued)

Furnaces	Coil	T.C.	S.C.	kW
TM8E120C20MP11	XAHC60G	1.01	0.99	0.97
TM8E120C20MP11	XAHD48F	0.99	0.95	0.97
TM8E120C20MP11	XAHD60G	0.99	0.98	0.95
TM8E130D20MP11	CF/CM/CU48D	1.00	1.04	0.96
TM8E130D20MP11	CF/CM/CU60D	1.01	1.06	0.97
TM8E130D20MP11	CF/CM64D	1.04	1.09	0.97
TM8E130D20MP11	XAF/XAUD60G	1.01	0.98	0.97
TM8E130D20MP11	XAFD48F	1.00	0.96	0.94
TM8E130D20MP11	XAHD48F	1.00	0.96	0.94
TM8E130D20MP11	XAHD60G	1.01	0.97	0.97
TM8V080C16MP12C	CF/CM/CU48C	0.99	1.03	0.97
TM8V080C16MP12C	CF/CM/CU48D	0.99	1.03	0.97
TM8V080C16MP12C	CF/CM/CU60C	1.00	1.05	0.96
TM8V080C16MP12C	CF/CM/CU60D	1.01	1.06	0.95
TM8V080C16MP12C	CF/CM64D	1.02	1.06	0.97
TM8V080C16MP12C	XAF/XAUC48F	0.99	0.95	1.01
TM8V080C16MP12C	XAF/XAUC60G	1.00	0.97	0.98
TM8V080C16MP12C	XAF/XAUD60G	1.01	0.97	0.99
TM8V080C16MP12C	XAFD48F	0.99	0.95	0.99
TM8V080C16MP12C	XAHC48F	0.99	0.95	1.01
TM8V080C16MP12C	XAHC60G	1.00	0.97	0.98
TM8V080C16MP12C	XAHD48F	0.99	0.95	1.01
TM8V080C16MP12C	XAHD60G	1.01	0.98	1.01
TM8V100C16MP12C	CF/CM/CU48C	0.99	1.03	0.97
TM8V100C16MP12C	CF/CM/CU48D	0.99	1.03	0.97
TM8V100C16MP12C	CF/CM/CU60C	1.00	1.05	0.96
TM8V100C16MP12C	CF/CM/CU60D	1.01	1.06	0.95
TM8V100C16MP12C	CF/CM64D	1.02	1.06	0.97
TM8V100C16MP12C	XAF/XAUC48F	0.99	0.95	1.01
TM8V100C16MP12C	XAF/XAUC60G	1.00	0.97	0.98
TM8V100C16MP12C	XAF/XAUD60G	1.01	0.97	0.99
TM8V100C16MP12C	XAFD48F	0.99	0.95	0.99
TM8V100C16MP12C	XAHC48F	0.99	0.95	1.01
TM8V100C16MP12C	XAHC60G	1.00	0.97	0.98
TM8V100C16MP12C	XAHD48F	0.99	0.95	1.01
TM8V100C16MP12C	XAHD60G	1.01	0.98	1.01
TM8V100C20MP12C	CF/CM/CU48C	0.99	1.03	0.97
TM8V100C20MP12C	CF/CM/CU48D	1.01	1.07	0.95
TM8V100C20MP12C	CF/CM/CU60C	0.99	1.00	0.95
TM8V100C20MP12C	CF/CM/CU60D	1.02	1.08	0.97
TM8V100C20MP12C	CF/CM64D	1.03	1.08	0.99
TM8V100C20MP12C	XAF/XAUC48F	0.99	0.93	0.93
TM8V100C20MP12C	XAF/XAUC60G	0.99	0.95	0.95
TM8V100C20MP12C	XAF/XAUD60G	1.01	0.95	0.97
TM8V100C20MP12C	XAFD48F	0.99	0.93	0.97
TM8V100C20MP12C	XAHC48F	0.99	0.93	0.97
TM8V100C20MP12C	XAHC60G	0.99	0.96	0.95
TM8V100C20MP12C	XAHD48F	0.99	0.93	0.97
TM8V100C20MP12C	XAHD60G	1.01	0.95	0.97
TM8V120C20MP12C	CF/CM/CU48C	0.99	1.03	0.97
TM8V120C20MP12C	CF/CM/CU48D	1.01	1.07	0.95
TM8V120C20MP12C	CF/CM/CU60C	0.99	1.00	0.95
TM8V120C20MP12C	CF/CM/CU60D	1.02	1.08	0.97
TM8V120C20MP12C	CF/CM64D	1.03	1.08	0.99
TM8V120C20MP12C	XAF/XAUC48F	0.99	0.93	0.93
TM8V120C20MP12C	XAF/XAUC60G	0.99	0.95	0.95

FURNACE MULTIPLIERS - 4 TON (Continued)

Furnaces	Coil	T.C.	S.C.	kW
TM8V120C20MP12C	XAF/XAUD60G	1.01	0.95	0.97
TM8V120C20MP12C	XAFD48F	0.99	0.93	0.97
TM8V120C20MP12C	XAHC48F	0.99	0.93	0.97
TM8V120C20MP12C	XAHC60G	0.99	0.96	0.95
TM8V120C20MP12C	XAHD48F	0.99	0.93	0.97
TM8V120C20MP12C	XAHD60G	1.01	0.95	0.97
TM8X080C16MP11	CF/CM/CU48C	0.98	1.00	0.96
TM8X080C16MP11	CF/CM/CU48D	0.99	1.02	0.97
TM8X080C16MP11	CF/CM/CU60C	0.99	1.02	0.95
TM8X080C16MP11	CF/CM/CU60D	1.00	1.03	0.96
TM8X080C16MP11	CF/CM64D	1.00	1.02	0.94
TM8X100C16MP11	CF/CM/CU48C	0.98	1.00	0.96
TM8X100C16MP11	CF/CM/CU48D	0.99	1.02	0.97
TM8X100C16MP11	CF/CM/CU60C	0.99	1.02	0.95
TM8X100C16MP11	CF/CM/CU60D	1.00	1.03	0.96
TM8X100C16MP11	CF/CM64D	1.00	1.02	0.94
TM8X100C20MP11	CF/CM/CU48C	0.99	1.01	0.95
TM8X100C20MP11	CF/CM/CU48D	0.99	1.02	0.93
TM8X100C20MP11	CF/CM/CU60C	1.00	1.03	0.94
TM8X100C20MP11	CF/CM/CU60D	1.01	1.05	0.95
TM8X100C20MP11	CF/CM64D	1.02	1.05	0.95
TM8X120C20MP11	CF/CM/CU48C	0.99	1.01	0.95
TM8X120C20MP11	CF/CM/CU48D	0.99	1.02	0.93
TM8X120C20MP11	CF/CM/CU60C	1.00	1.03	0.94
TM8X120C20MP11	CF/CM/CU60D	1.01	1.05	0.95
TM8X120C20MP11	CF/CM64D	1.02	1.05	0.95
TM8Y080C16MP11	CF/CM/CU48C	0.98	1.00	0.96
TM8Y080C16MP11	CF/CM/CU48D	0.99	1.02	0.97
TM8Y080C16MP11	CF/CM/CU60C	0.99	1.02	0.95
TM8Y080C16MP11	CF/CM/CU60D	1.00	1.03	0.96
TM8Y080C16MP11	CF/CM64D	1.00	1.02	0.94
TM8Y080C16MP11	XAF/XAUC48F	0.99	0.94	0.99
TM8Y080C16MP11	XAF/XAUC60G	1.01	0.97	0.99
TM8Y080C16MP11	XAF/XAUD60G	1.01	0.97	0.99
TM8Y080C16MP11	XAFD48F	0.99	0.94	0.99
TM8Y080C16MP11	XAHC48F	0.99	0.94	0.99
TM8Y080C16MP11	XAHC60G	1.01	0.97	0.99
TM8Y080C16MP11	XAHD48F	0.99	0.94	0.99
TM8Y080C16MP11	XAHD60G	1.01	0.96	0.99
TM8Y100C16MP11	CF/CM/CU48C	0.98	1.00	0.96
TM8Y100C16MP11	CF/CM/CU48D	0.99	1.02	0.97
TM8Y100C16MP11	CF/CM/CU60C	0.99	1.02	0.95
TM8Y100C16MP11	CF/CM/CU60D	1.00	1.03	0.96
TM8Y100C16MP11	CF/CM64D	1.00	1.02	0.94
TM8Y100C16MP11	XAF/XAUC48F	0.99	0.94	0.99
TM8Y100C16MP11	XAF/XAUC60G	1.01	0.97	0.99
TM8Y100C16MP11	XAF/XAUD60G	1.01	0.97	0.99
TM8Y100C16MP11	XAFD48F	0.99	0.94	0.99
TM8Y100C16MP11	XAHC48F	0.99	0.94	0.99
TM8Y100C16MP11	XAHC60G	1.01	0.97	0.99
TM8Y100C16MP11	XAHD48F	0.99	0.94	0.99
TM8Y100C16MP11	XAHD60G	1.01	0.96	0.99
TM8Y100C20MP11	CF/CM/CU48C	0.99	1.01	0.95
TM8Y100C20MP11	CF/CM/CU48D	0.99	1.02	0.93
TM8Y100C20MP11	CF/CM/CU60C	1.00	1.03	0.94
TM8Y100C20MP11	CF/CM/CU60D	1.01	1.05	0.95

FURNACE MULTIPLIERS - 4 TON (Continued)

Furnaces	Coil	T.C.	S.C.	kW
TM8Y100C20MP11	CF/CM64D	1.02	1.05	0.95
TM8Y100C20MP11	XAF/XAUC48F	0.99	0.94	0.97
TM8Y100C20MP11	XAF/XAUC60G	1.01	0.97	0.97
TM8Y100C20MP11	XAF/XAUD60G	1.01	0.97	0.97
TM8Y100C20MP11	XAFD48F	0.99	0.94	0.97
TM8Y100C20MP11	XAHC48F	0.99	0.94	0.97
TM8Y100C20MP11	XAHC60G	1.01	0.97	0.97
TM8Y100C20MP11	XAHD48F	0.99	0.94	0.97
TM8Y100C20MP11	XAHD60G	1.01	0.96	0.97
TM8Y120C20MP11	CF/CM/CU48C	0.99	1.01	0.95
TM8Y120C20MP11	CF/CM/CU48D	0.99	1.02	0.93
TM8Y120C20MP11	CF/CM/CU60C	1.00	1.03	0.94
TM8Y120C20MP11	CF/CM/CU60D	1.01	1.05	0.95
TM8Y120C20MP11	CF/CM64D	1.02	1.05	0.95
TM8Y120C20MP11	XAF/XAUC48F	0.99	0.94	0.97
TM8Y120C20MP11	XAF/XAUC60G	1.01	0.97	0.97
TM8Y120C20MP11	XAF/XAUD60G	1.01	0.97	0.97
TM8Y120C20MP11	XAFD48F	0.99	0.94	0.97
TM8Y120C20MP11	XAHC48F	0.99	0.94	0.97
TM8Y120C20MP11	XAHC60G	1.01	0.97	0.97
TM8Y120C20MP11	XAHD48F	0.99	0.94	0.97
TM8Y120C20MP11	XAHD60G	1.01	0.96	0.97
TM9E080B12MP12	CF/CM/CU48C	0.98	0.99	1.00
TM9E080B12MP12	CF/CM/CU60C	0.99	1.01	1.03
TM9E080C16MP11	CF/CM/CU48C	0.99	0.98	0.97
TM9E080C16MP11	CF/CM/CU48D	0.99	0.98	0.97
TM9E080C16MP11	CF/CM/CU60C	0.98	0.97	0.96
TM9E080C16MP11	CF/CM/CU60D	1.00	0.99	0.96
TM9E080C16MP11	CF/CM64D	1.01	1.01	0.97
TM9E080C20MP12	CF/CM/CU48C	1.00	1.04	0.98
TM9E080C20MP12	CF/CM/CU48D	1.00	1.04	0.96
TM9E080C20MP12	CF/CM/CU60C	1.00	1.03	0.98
TM9E080C20MP12	CF/CM/CU60D	1.01	1.05	0.99
TM9E080C20MP12	CF/CM64D	1.02	1.05	0.97
TM9E080C20MP12	XAF/XAUC48F	0.99	0.95	0.99
TM9E080C20MP12	XAF/XAUC60G	1.00	0.98	0.98
TM9E080C20MP12	XAF/XAUD60G	1.01	0.98	0.99
TM9E080C20MP12	XAFD48F	1.00	0.96	0.98
TM9E080C20MP12	XAHC48F	0.99	0.95	0.94
TM9E080C20MP12	XAHC60G	1.00	0.98	0.98
TM9E080C20MP12	XAHD48F	0.99	0.95	0.97
TM9E080C20MP12	XAHD60G	1.01	0.97	0.99
TM9E100C16MP11	CF/CM/CU48C	0.99	1.02	0.97
TM9E100C16MP11	CF/CM/CU48D	0.99	1.02	0.97
TM9E100C16MP11	CF/CM/CU60C	1.00	1.03	0.98
TM9E100C16MP11	CF/CM/CU60D	1.00	1.05	0.96
TM9E100C16MP11	CF/CM64D	1.01	1.04	0.97
TM9E100C16MP12	CF/CM/CU60D	1.01	1.10	1.05
TM9E100C20MP11	CF/CM/CU48C	0.98	1.00	0.94
TM9E100C20MP11	CF/CM/CU48D	0.98	1.00	0.94
TM9E100C20MP11	CF/CM/CU60C	0.99	1.01	0.95
TM9E100C20MP11	CF/CM/CU60D	0.99	1.02	0.95
TM9E100C20MP11	CF/CM64D	1.01	1.03	0.95
TM9E100C20MP12	CF/CM/CU48C	1.00	1.04	0.96
TM9E100C20MP12	CF/CM/CU48D	1.00	1.04	0.96

FURNACE MULTIPLIERS - 4 TON (Continued)

Furnaces	Coil	T.C.	S.C.	kW
TM9E100C20MP12	CF/CM/CU60D	1.01	1.05	0.97
TM9E100C20MP12	CF/CM64D	1.02	1.05	0.97
TM9E100C20MP12	XAF/XAUC48F	0.99	0.95	0.94
TM9E100C20MP12	XAF/XAUC60G	1.00	0.98	0.96
TM9E100C20MP12	XAF/XAUD60G	1.01	0.98	0.97
TM9E100C20MP12	XAFD48F	0.99	0.95	0.97
TM9E100C20MP12	XAHC48F	0.99	0.95	0.94
TM9E100C20MP12	XAHC60G	1.00	0.98	0.96
TM9E100C20MP12	XAHD48F	0.99	0.95	0.97
TM9E100C20MP12	XAHD60G	1.01	0.97	0.97
TM9E120D20MP11	CF/CM/CU48D	1.00	1.04	0.96
TM9E120D20MP11	CF/CM/CU60D	1.01	1.05	0.95
TM9E120D20MP11	CF/CM64D	1.01	1.04	0.94
TM9E120D20MP12	CF/CM/CU48D	1.00	1.05	0.98
TM9E120D20MP12	CF/CM/CU60D	1.01	1.06	0.99
TM9E120D20MP12	CF/CM64D	1.03	1.08	0.98
TM9E120D20MP12	XAF/XAUD60G	1.01	0.99	0.99
TM9E120D20MP12	XAFD48F	1.00	0.96	1.00
TM9E120D20MP12	XAHD48F	0.99	0.95	0.99
TM9E120D20MP12	XAHD60G	1.01	0.98	0.99
TM9V080C16MP11C	CF/CM/CU48C	0.99	0.99	0.97
TM9V080C16MP11C	CF/CM/CU48D	1.00	1.01	0.96
TM9V080C16MP11C	CF/CM/CU60C	0.99	1.00	0.97
TM9V080C16MP11C	CF/CM/CU60D	0.99	1.00	0.97
TM9V080C16MP11C	CF/CM64D	1.02	1.03	0.97
TM9V080C16MP12C	CF/CM/CU48C	0.99	0.99	0.97
TM9V080C16MP12C	CF/CM/CU48D	1.00	1.01	0.96
TM9V080C16MP12C	CF/CM/CU60C	0.99	1.00	0.97
TM9V080C16MP12C	CF/CM/CU60D	0.99	1.00	0.97
TM9V080C16MP12C	CF/CM64D	1.02	1.03	0.97
TM9V080C16MP12C	XAF/XAUC60G	0.99	0.95	0.97
TM9V080C16MP12C	XAF/XAUD60G	0.99	0.95	0.95
TM9V080C16MP12C	XAFD48F	0.99	0.95	1.01
TM9V080C16MP12C	XAHC60G	0.99	0.95	0.97
TM9V080C16MP12C	XAHD60G	0.99	0.95	0.99
TM9V100C16MP12C	CF/CM/CU48C	1.00	1.05	0.98
TM9V100C16MP12C	CF/CM/CU48D	1.01	1.06	0.97
TM9V100C16MP12C	CF/CM/CU60C	1.02	1.09	0.98
TM9V100C16MP12C	CF/CM/CU60D	1.02	1.08	0.98
TM9V100C16MP12C	CF/CM64D	1.03	1.09	0.98
TM9V100C16MP12C	XAF/XAUC48F	0.99	0.94	0.99
TM9V100C16MP12C	XAF/XAUC60G	1.01	0.96	0.94
TM9V100C16MP12C	XAF/XAUD60G	1.01	0.96	0.97
TM9V100C16MP12C	XAFD48F	0.99	0.94	0.99
TM9V100C16MP12C	XAHC48F	0.99	0.94	0.99
TM9V100C16MP12C	XAHC60G	1.01	0.96	0.97
TM9V100C16MP12C	XAHD48F	0.99	0.94	0.99
TM9V100C16MP12C	XAHD60G	1.00	0.95	0.98
TM9V100C20MP12C	CF/CM/CU48C	1.00	1.05	1.00
TM9V100C20MP12C	CF/CM/CU48D	1.00	1.05	0.98
TM9V100C20MP12C	CF/CM/CU60C	1.02	1.09	1.00
TM9V100C20MP12C	CF/CM/CU60D	1.02	1.08	0.97
TM9V100C20MP12C	CF/CM64D	1.03	1.09	0.98
TM9V100C20MP12C	XAF/XAUC48F	0.99	0.95	0.99
TM9V100C20MP12C	XAF/XAUC60G	1.01	0.96	0.99
TM9V100C20MP12C	XAF/XAUD60G	1.01	0.96	0.99

FURNACE MULTIPLIERS - 4 TON (Continued)

Furnaces	Coil	T.C.	S.C.	kW
TM9V100C20MP12C	XAFD48F	0.99	0.95	0.99
TM9V100C20MP12C	XAHC48F	0.99	0.95	0.99
TM9V100C20MP12C	XAHC60G	1.01	0.96	0.99
TM9V100C20MP12C	XAHD48F	0.99	0.95	0.99
TM9V100C20MP12C	XAHD60G	1.00	0.95	0.98
TM9V120D20MP12C	CF/CM/CU48D	0.99	1.02	0.95
TM9V120D20MP12C	CF/CM/CU60D	1.01	1.05	0.95
TM9V120D20MP12C	CF/CM64D	1.02	1.05	0.98
TM9V120D20MP12C	XAF/XAUD60G	1.01	0.95	0.97
TM9V120D20MP12C	XAFD48F	0.99	0.93	0.97
TM9V120D20MP12C	XAHD48F	0.99	0.93	0.97
TM9V120D20MP12C	XAHD60G	1.01	0.95	0.97
TM9Y080C16MP11	CF/CM/CU48C	0.99	0.98	0.97
TM9Y080C16MP11	CF/CM/CU48D	0.99	0.98	0.97
TM9Y080C16MP11	CF/CM/CU60C	0.98	0.97	0.96
TM9Y080C16MP11	CF/CM/CU60D	1.00	0.99	0.96
TM9Y080C16MP11	CF/CM64D	1.01	1.01	0.97
TM9Y080C16MP11	XAF/XAUC60G	1.00	0.96	1.02
TM9Y080C16MP11	XAF/XAUD60G	1.00	0.96	1.02
TM9Y080C16MP11	XAHC60G	1.00	0.96	1.02
TM9Y080C16MP11	XAHD60G	1.00	0.96	1.02
TM9Y100C16MP11	CF/CM/CU48C	0.99	1.02	0.97
TM9Y100C16MP11	CF/CM/CU48D	0.99	1.02	0.97
TM9Y100C16MP11	CF/CM/CU60C	1.00	1.03	0.98
TM9Y100C16MP11	CF/CM/CU60D	1.00	1.05	0.96
TM9Y100C16MP11	CF/CM64D	1.01	1.04	0.97
TM9Y100C16MP11	XAF/XAUC48F	0.99	0.95	1.03
TM9Y100C16MP11	XAF/XAUC60G	1.01	0.98	1.03
TM9Y100C16MP11	XAF/XAUD60G	1.01	0.98	1.03
TM9Y100C16MP11	XAFD48F	0.99	0.95	1.01
TM9Y100C16MP11	XAHC48F	0.99	0.95	1.03
TM9Y100C16MP11	XAHC60G	1.00	0.98	1.02
TM9Y100C16MP11	XAHD48F	0.99	0.95	1.01
TM9Y100C16MP11	XAHD60G	1.00	0.96	1.02
TM9Y100C20MP11	CF/CM/CU48C	0.98	1.00	0.94
TM9Y100C20MP11	CF/CM/CU48D	0.98	1.00	0.94
TM9Y100C20MP11	CF/CM/CU60C	0.99	1.01	0.95
TM9Y100C20MP11	CF/CM/CU60D	0.99	1.02	0.95
TM9Y100C20MP11	CF/CM64D	1.01	1.03	0.95
TM9Y100C20MP11	XAF/XAUC48F	1.00	0.99	1.04
TM9Y100C20MP11	XAF/XAUC60G	1.01	0.96	0.99
TM9Y100C20MP11	XAF/XAUD60G	1.01	0.96	0.99
TM9Y100C20MP11	XAFD48F	0.99	0.94	0.99
TM9Y100C20MP11	XAHC48F	0.99	0.94	0.99
TM9Y100C20MP11	XAHC60G	1.01	0.96	0.99
TM9Y100C20MP11	XAHD48F	0.99	0.94	0.99
TM9Y100C20MP11	XAHD60G	1.00	0.95	0.98
TM9Y120D20MP11	CF/CM/CU48D	1.00	1.04	0.96
TM9Y120D20MP11	CF/CM/CU60D	1.01	1.05	0.95
TM9Y120D20MP11	CF/CM64D	1.01	1.04	0.94
TM9Y120D20MP11	XAF/XAUD60G	1.01	0.97	0.97
TM9Y120D20MP11	XAFD48F	0.99	0.95	0.94
TM9Y120D20MP11	XAHD48F	0.99	0.94	0.99
TM9Y120D20MP11	XAHD60G	1.01	0.96	0.99
TMLE080C16MP11	XAF/XAUC48F	0.97	1.00	1.01
TMLE080C16MP11	XAF/XAUC60G	1.01	1.03	1.03

FURNACE MULTIPLIERS - 4 TON (Continued)

Furnaces	Coil	T.C.	S.C.	kW
TMLE080C16MP11	XAF/XAUD60G	1.01	1.03	1.03
TMLE080C16MP11	XAFD48F	0.98	1.00	1.02
TMLE080C16MP11	XAHC48F	0.97	1.00	1.01
TMLE080C16MP11	XAHC60G	1.01	1.03	1.03
TMLE080C16MP11	XAHD48F	0.98	1.00	1.02
TMLE080C16MP11	XAHD60G	1.01	1.02	1.03
TMLE080C20MP11	XAF/XAUC48F	1.00	0.96	1.00
TMLE080C20MP11	XAF/XAUC60G	1.01	0.99	0.99
TMLE080C20MP11	XAF/XAUD60G	1.01	0.99	0.99
TMLE080C20MP11	XAFD48F	1.00	0.96	0.98
TMLE080C20MP11	XAHC48F	1.00	0.96	0.95
TMLE080C20MP11	XAHC60G	1.01	0.99	0.99
TMLE080C20MP11	XAHD48F	1.00	0.96	0.98
TMLE080C20MP11	XAHD60G	1.01	0.99	0.99
TMLE100C16MP11	XAF/XAUC48F	0.99	1.00	1.03
TMLE100C16MP11	XAF/XAUC60G	1.01	1.03	1.03
TMLE100C16MP11	XAF/XAUD60G	0.99	1.03	0.99
TMLE100C16MP11	XAFD48F	0.99	1.00	1.03
TMLE100C16MP11	XAHC48F	0.99	1.00	1.03
TMLE100C16MP11	XAHC60G	1.00	0.95	1.00
TMLE100C16MP11	XAHD48F	0.99	1.00	1.03
TMLE100C16MP11	XAHD60G	0.99	1.02	1.01
TMLE100C20MP11	XAF/XAUC48F	0.99	0.95	0.99
TMLE100C20MP11	XAF/XAUC60G	1.00	0.99	0.98
TMLE100C20MP11	XAF/XAUD60G	1.01	0.99	0.99
TMLE100C20MP11	XAFD48F	0.99	0.95	0.97
TMLE100C20MP11	XAHC48F	0.99	0.95	0.99
TMLE100C20MP11	XAHC60G	1.00	0.99	0.98
TMLE100C20MP11	XAHD48F	0.99	0.95	0.97
TMLE100C20MP11	XAHD60G	1.01	0.98	0.99
TMLE120C16MP11	XAF/XAUC48F	0.99	1.00	1.03
TMLE120C16MP11	XAF/XAUC60G	0.99	1.03	0.99
TMLE120C16MP11	XAF/XAUD60G	1.00	1.03	1.00
TMLE120C16MP11	XAFD48F	0.99	1.00	1.03
TMLE120C16MP11	XAHC48F	0.99	1.00	1.03
TMLE120C16MP11	XAHC60G	0.99	0.95	0.97
TMLE120C16MP11	XAHD48F	0.99	1.00	1.03
TMLE120C16MP11	XAHD60G	1.00	1.03	1.00
TMLE120C20MP11	XAF/XAUC48F	0.99	0.95	0.95
TMLE120C20MP11	XAF/XAUC60G	1.01	0.99	0.97
TMLE120C20MP11	XAF/XAUD60G	0.99	0.99	0.95
TMLE120C20MP11	XAFD48F	1.00	0.96	0.98
TMLE120C20MP11	XAHC48F	0.99	0.95	0.95
TMLE120C20MP11	XAHC60G	1.01	0.99	0.97
TMLE120C20MP11	XAHD48F	0.99	0.95	0.97
TMLE120C20MP11	XAHD60G	0.99	0.98	0.95
TMLE130D20MP11	XAF/XAUD60G	1.01	0.98	0.97
TMLE130D20MP11	XAFD48F	1.00	0.96	0.94
TMLE130D20MP11	XAHD48F	1.00	0.96	0.94
TMLE130D20MP11	XAHD60G	1.01	0.97	0.97
TMLV080C16MP12C	CF/CM/CU48C	0.99	1.03	0.97
TMLV080C16MP12C	CF/CM/CU48D	0.99	1.03	0.97
TMLV080C16MP12C	CF/CM/CU60C	1.00	1.05	0.96
TMLV080C16MP12C	CF/CM/CU60D	1.01	1.06	0.95
TMLV080C16MP12C	CF/CM64D	1.02	1.06	0.97
TMLV100C16MP12C	CF/CM/CU48C	0.99	1.03	0.97

FURNACE MULTIPLIERS - 4 TON (Continued)

Furnaces	Coil	T.C.	S.C.	kW
TMLV100C16MP12C	CF/CM/CU48D	0.99	1.03	0.97
TMLV100C16MP12C	CF/CM/CU60C	1.00	1.05	0.96
TMLV100C16MP12C	CF/CM/CU60D	1.01	1.06	0.95
TMLV100C16MP12C	CF/CM64D	1.02	1.06	0.97
TMLV100C16MP12C	XAF/XAUC48F	0.99	0.95	1.01
TMLV100C16MP12C	XAF/XAUC60G	1.00	0.97	0.98
TMLV100C16MP12C	XAF/XAUD60G	1.01	0.97	0.99
TMLV100C16MP12C	XAFD48F	0.99	0.95	0.99
TMLV100C16MP12C	XAHC48F	0.99	0.95	1.01
TMLV100C16MP12C	XAHC60G	1.00	0.97	0.98
TMLV100C16MP12C	XAHD48F	0.99	0.95	1.01
TMLV100C16MP12C	XAHD60G	1.01	0.98	1.01
TMLV100C20MP12C	CF/CM/CU48C	0.99	1.03	0.97
TMLV100C20MP12C	CF/CM/CU48D	1.01	1.07	0.95
TMLV100C20MP12C	CF/CM/CU60C	0.99	1.00	0.95
TMLV100C20MP12C	CF/CM/CU60D	1.02	1.08	0.97
TMLV100C20MP12C	CF/CM64D	1.03	1.08	0.99
TMLV120C20MP12C	CF/CM/CU48C	0.99	1.03	0.97
TMLV120C20MP12C	CF/CM/CU48D	1.01	1.07	0.95
TMLV120C20MP12C	CF/CM/CU60C	0.99	1.00	0.95
TMLV120C20MP12C	CF/CM/CU60D	1.02	1.08	0.97
TMLV120C20MP12C	CF/CM64D	1.03	1.08	0.99
TMLV120C20MP12C	XAF/XAUC48F	0.99	0.93	0.93
TMLV120C20MP12C	XAF/XAUC60G	0.99	0.95	0.95
TMLV120C20MP12C	XAF/XAUD60G	1.01	0.95	0.97
TMLV120C20MP12C	XAFD48F	0.99	0.93	0.97
TMLV120C20MP12C	XAHC48F	0.99	0.93	0.97
TMLV120C20MP12C	XAHC60G	0.99	0.96	0.95
TMLV120C20MP12C	XAHD48F	0.99	0.93	0.97
TMLV120C20MP12C	XAHD60G	1.01	0.95	0.97
TMLX080C16MP11	CF/CM/CU48C	0.98	1.00	0.96
TMLX080C16MP11	CF/CM/CU48D	0.99	1.02	0.97
TMLX080C16MP11	CF/CM/CU60C	0.99	1.02	0.95
TMLX080C16MP11	CF/CM/CU60D	1.00	1.03	0.96
TMLX080C16MP11	CF/CM64D	1.00	1.02	0.94
TMLX100C16MP11	CF/CM/CU48C	0.98	1.00	0.96
TMLX100C16MP11	CF/CM/CU48D	0.99	1.02	0.97
TMLX100C16MP11	CF/CM/CU60C	0.99	1.02	0.95
TMLX100C16MP11	CF/CM/CU60D	1.00	1.03	0.96
TMLX100C16MP11	CF/CM64D	1.00	1.02	0.94
TMLX100C20MP11	CF/CM/CU48C	0.99	1.01	0.95
TMLX100C20MP11	CF/CM/CU48D	0.99	1.02	0.93
TMLX100C20MP11	CF/CM/CU60C	1.00	1.03	0.94
TMLX100C20MP11	CF/CM/CU60D	1.01	1.05	0.95
TMLX100C20MP11	CF/CM64D	1.02	1.05	0.95
TMLX120C20MP11	CF/CM/CU48C	0.99	1.01	0.95
TMLX120C20MP11	CF/CM/CU48D	0.99	1.02	0.93
TMLX120C20MP11	CF/CM/CU60C	1.00	1.03	0.94
TMLX120C20MP11	CF/CM/CU60D	1.01	1.05	0.95
TMLX120C20MP11	CF/CM64D	1.02	1.05	0.95
TP9C080C16MP13C	CF/CM/CU48C	0.99	0.99	0.97
TP9C080C16MP13C	CF/CM/CU48D	1.00	1.01	0.96
TP9C080C16MP13C	CF/CM/CU60C	0.99	1.00	0.97
TP9C080C16MP13C	CF/CM/CU60D	0.99	1.00	0.97
TP9C080C16MP13C	CF/CM64D	1.02	1.03	0.97
TP9C080C16MP13C	XAF/XAUC60G	0.99	0.95	0.97

FURNACE MULTIPLIERS - 4 TON (Continued)

Furnaces	Coil	T.C.	S.C.	kW
TP9C080C16MP13C	XAF/XAUD60G	0.99	0.95	0.95
TP9C080C16MP13C	XAFD48F	0.99	0.95	1.01
TP9C080C16MP13C	XAHC60G	0.99	0.95	0.97
TP9C080C16MP13C	XAHD60G	0.99	0.95	0.99
TP9C100C16MP13C	CF/CM/CU48C	1.00	1.05	0.98
TP9C100C16MP13C	CF/CM/CU48D	1.01	1.06	0.97
TP9C100C16MP13C	CF/CM/CU60C	1.02	1.09	0.98
TP9C100C16MP13C	CF/CM/CU60D	1.02	1.08	0.98
TP9C100C16MP13C	CF/CM64D	1.03	1.09	0.98
TP9C100C16MP13C	XAF/XAUC48F	0.99	0.94	0.99
TP9C100C16MP13C	XAF/XAUC60G	1.01	0.96	0.94
TP9C100C16MP13C	XAF/XAUD60G	1.01	0.96	0.97
TP9C100C16MP13C	XAFD48F	0.99	0.94	0.99
TP9C100C16MP13C	XAHC48F	0.99	0.94	0.99
TP9C100C16MP13C	XAHC60G	1.01	0.96	0.97
TP9C100C16MP13C	XAHD48F	0.99	0.94	0.99
TP9C100C16MP13C	XAHD60G	1.00	0.95	0.98
TP9C100C20MP13C	CF/CM/CU48C	1.00	1.05	1.00
TP9C100C20MP13C	CF/CM/CU48D	1.00	1.05	0.98
TP9C100C20MP13C	CF/CM/CU60C	1.02	1.09	1.00
TP9C100C20MP13C	CF/CM/CU60D	1.02	1.08	0.97
TP9C100C20MP13C	CF/CM64D	1.03	1.09	0.98
TP9C100C20MP13C	XAF/XAUC48F	0.99	0.95	0.99
TP9C100C20MP13C	XAF/XAUC60G	1.01	0.96	0.99
TP9C100C20MP13C	XAF/XAUD60G	1.01	0.96	0.99
TP9C100C20MP13C	XAFD48F	0.99	0.95	0.99
TP9C100C20MP13C	XAHC48F	0.99	0.95	0.99
TP9C100C20MP13C	XAHC60G	1.01	0.96	0.99
TP9C100C20MP13C	XAHD48F	0.99	0.95	0.99
TP9C100C20MP13C	XAHD60G	1.00	0.95	0.98
TP9C120D20MP13C	CF/CM/CU48D	0.99	1.02	0.95
TP9C120D20MP13C	CF/CM/CU60D	1.01	1.05	0.95
TP9C120D20MP13C	CF/CM64D	1.02	1.05	0.98
TP9C120D20MP13C	XAF/XAUD60G	1.01	0.95	0.97
TP9C120D20MP13C	XAFD48F	0.99	0.93	0.97
TP9C120D20MP13C	XAHD48F	0.99	0.93	0.97
TP9C120D20MP13C	XAHD60G	1.01	0.95	0.97
TPLC080C16MP13C	CF/CM/CU48C	0.99	1.03	0.97
TPLC080C16MP13C	CF/CM/CU48D	0.99	1.03	0.97
TPLC080C16MP13C	CF/CM/CU60C	1.00	1.05	0.96
TPLC080C16MP13C	CF/CM/CU60D	1.01	1.06	0.95
TPLC080C16MP13C	CF/CM64D	1.02	1.06	0.97
TPLC080C16MP13C	XAF/XAUC48F	0.99	0.95	1.01
TPLC080C16MP13C	XAF/XAUC60G	1.00	0.97	0.98
TPLC080C16MP13C	XAF/XAUD60G	1.01	0.97	0.99
TPLC080C16MP13C	XAFD48F	0.99	0.95	0.99
TPLC080C16MP13C	XAHC48F	0.99	0.95	1.01
TPLC080C16MP13C	XAHC60G	1.00	0.97	0.98
TPLC080C16MP13C	XAHD48F	0.99	0.95	1.01
TPLC080C16MP13C	XAHD60G	1.01	0.98	1.01
TPLC100C16MP13C	CF/CM/CU48C	0.99	1.03	0.97
TPLC100C16MP13C	CF/CM/CU48D	0.99	1.03	0.97
TPLC100C16MP13C	CF/CM/CU60C	1.00	1.05	0.96
TPLC100C16MP13C	CF/CM/CU60D	1.01	1.06	0.95
TPLC100C16MP13C	CF/CM64D	1.02	1.06	0.97
TPLC100C16MP13C	XAF/XAUC48F	0.99	0.95	1.01

FURNACE MULTIPLIERS - 4 TON (Continued)

Furnaces	Coil	T.C.	S.C.	kW
TPLC100C16MP13C	XAF/XAUC60G	1.00	0.97	0.98
TPLC100C16MP13C	XAF/XAUD60G	1.01	0.97	0.99
TPLC100C16MP13C	XAFD48F	0.99	0.95	0.99
TPLC100C16MP13C	XAHC48F	0.99	0.95	1.01
TPLC100C16MP13C	XAHC60G	1.00	0.97	0.98
TPLC100C16MP13C	XAHD48F	0.99	0.95	1.01
TPLC100C16MP13C	XAHD60G	1.01	0.98	1.01
TPLC100C20MP13C	CF/CM/CU48C	0.99	1.03	0.97
TPLC100C20MP13C	CF/CM/CU48D	1.01	1.07	0.95
TPLC100C20MP13C	CF/CM/CU60C	0.99	1.00	0.95
TPLC100C20MP13C	CF/CM/CU60D	1.02	1.08	0.97
TPLC100C20MP13C	CF/CM64D	1.03	1.08	0.99
TPLC100C20MP13C	XAF/XAUC48F	0.99	0.93	0.93
TPLC100C20MP13C	XAF/XAUC60G	0.99	0.95	0.95
TPLC100C20MP13C	XAF/XAUD60G	1.01	0.95	0.97
TPLC100C20MP13C	XAFD48F	0.99	0.93	0.97
TPLC100C20MP13C	XAHC48F	0.99	0.93	0.97
TPLC100C20MP13C	XAHC60G	0.99	0.96	0.95
TPLC100C20MP13C	XAHD48F	0.99	0.93	0.97
TPLC100C20MP13C	XAHD60G	1.01	0.95	0.97
TPLC120C20MP13C	CF/CM/CU48C	0.99	1.03	0.97
TPLC120C20MP13C	CF/CM/CU48D	1.01	1.07	0.95
TPLC120C20MP13C	CF/CM/CU60C	0.99	1.00	0.95
TPLC120C20MP13C	CF/CM/CU60D	1.02	1.08	0.97
TPLC120C20MP13C	CF/CM64D	1.03	1.08	0.99
TPLC120C20MP13C	XAF/XAUC48F	0.99	0.93	0.93
TPLC120C20MP13C	XAF/XAUC60G	0.99	0.95	0.95
TPLC120C20MP13C	XAF/XAUD60G	1.01	0.95	0.97
TPLC120C20MP13C	XAFD48F	0.99	0.93	0.97
TPLC120C20MP13C	XAHC48F	0.99	0.93	0.97
TPLC120C20MP13C	XAHC60G	0.99	0.96	0.95
TPLC120C20MP13C	XAHD48F	0.99	0.93	0.97
TPLC120C20MP13C	XAHD60G	1.01	0.95	0.97
YP9C080C16MP13C	CF/CM/CU48C	0.99	0.99	0.97
YP9C080C16MP13C	CF/CM/CU48D	1.00	1.01	0.96
YP9C080C16MP13C	CF/CM/CU60C	0.99	1.00	0.97
YP9C080C16MP13C	CF/CM/CU60D	0.99	1.00	0.97
YP9C080C16MP13C	CF/CM64D	1.02	1.03	0.97
YP9C080C16MP13C	XAF/XAUC60G	0.99	0.95	0.97
YP9C080C16MP13C	XAF/XAUD60G	0.99	0.95	0.95
YP9C080C16MP13C	XAFD48F	0.99	0.95	1.01
YP9C080C16MP13C	XAHC60G	0.99	0.95	0.97
YP9C080C16MP13C	XAHD60G	0.99	0.95	0.99
YP9C100C16MP13C	CF/CM/CU48C	1.00	1.05	0.98
YP9C100C16MP13C	CF/CM/CU48D	1.01	1.06	0.97
YP9C100C16MP13C	CF/CM/CU60C	1.02	1.09	0.98
YP9C100C16MP13C	CF/CM/CU60D	1.02	1.08	0.98
YP9C100C16MP13C	CF/CM64D	1.03	1.09	0.98
YP9C100C16MP13C	XAF/XAUC48F	0.99	0.94	0.99
YP9C100C16MP13C	XAF/XAUC60G	1.01	0.96	0.94
YP9C100C16MP13C	XAF/XAUD60G	1.01	0.96	0.97
YP9C100C16MP13C	XAFD48F	0.99	0.94	0.99
YP9C100C16MP13C	XAHC48F	0.99	0.94	0.99
YP9C100C16MP13C	XAHC60G	1.01	0.96	0.97
YP9C100C16MP13C	XAHD48F	0.99	0.94	0.99
YP9C100C16MP13C	XAHD60G	1.00	0.95	0.98

FURNACE MULTIPLIERS - 4 TON (Continued)

Furnaces	Coil	T.C.	S.C.	kW
YP9C100C20MP13C	CF/CM/CU48C	1.00	1.05	1.00
YP9C100C20MP13C	CF/CM/CU48D	1.00	1.05	0.98
YP9C100C20MP13C	CF/CM/CU60C	1.02	1.09	1.00
YP9C100C20MP13C	CF/CM/CU60D	1.02	1.08	0.97
YP9C100C20MP13C	CF/CM64D	1.03	1.09	0.98
YP9C100C20MP13C	XAF/XAUC48F	0.99	0.95	0.99
YP9C100C20MP13C	XAF/XAUC60G	1.01	0.96	0.99
YP9C100C20MP13C	XAF/XAUD60G	1.01	0.96	0.99
YP9C100C20MP13C	XAFD48F	0.99	0.95	0.99
YP9C100C20MP13C	XAHC48F	0.99	0.95	0.99
YP9C100C20MP13C	XAHC60G	1.01	0.96	0.99
YP9C100C20MP13C	XAHD48F	0.99	0.95	0.99
YP9C100C20MP13C	XAHD60G	1.00	0.95	0.98
YP9C120D20MP13C	CF/CM/CU48D	0.99	1.02	0.95
YP9C120D20MP13C	CF/CM/CU60D	1.01	1.05	0.95
YP9C120D20MP13C	CF/CM64D	1.02	1.05	0.98
YP9C120D20MP13C	XAF/XAUD60G	1.01	0.95	0.97
YP9C120D20MP13C	XAFD48F	0.99	0.93	0.97
YP9C120D20MP13C	XAHD48F	0.99	0.93	0.97
YP9C120D20MP13C	XAHD60G	1.01	0.95	0.97
YPLC080C16MP13C	CF/CM/CU48C	0.99	1.03	0.97
YPLC080C16MP13C	CF/CM/CU48D	0.99	1.03	0.97
YPLC080C16MP13C	CF/CM/CU60C	1.00	1.05	0.96
YPLC080C16MP13C	CF/CM/CU60D	1.01	1.06	0.95
YPLC080C16MP13C	CF/CM64D	1.02	1.06	0.97
YPLC080C16MP13C	XAF/XAUC48F	0.99	0.95	1.01
YPLC080C16MP13C	XAF/XAUC60G	1.00	0.97	0.98
YPLC080C16MP13C	XAF/XAUD60G	1.01	0.97	0.99
YPLC080C16MP13C	XAFD48F	0.99	0.95	0.99
YPLC080C16MP13C	XAHC48F	0.99	0.95	1.01
YPLC080C16MP13C	XAHC60G	1.00	0.97	0.98
YPLC080C16MP13C	XAHD48F	0.99	0.95	1.01
YPLC080C16MP13C	XAHD60G	1.01	0.98	1.01
YPLC100C16MP13C	CF/CM/CU48C	0.99	1.03	0.97
YPLC100C16MP13C	CF/CM/CU48D	0.99	1.03	0.97
YPLC100C16MP13C	CF/CM/CU60C	1.00	1.05	0.96
YPLC100C16MP13C	CF/CM/CU60D	1.01	1.06	0.95
YPLC100C16MP13C	CF/CM64D	1.02	1.06	0.97
YPLC100C16MP13C	XAF/XAUC48F	0.99	0.95	1.01
YPLC100C16MP13C	XAF/XAUC60G	1.00	0.97	0.98
YPLC100C16MP13C	XAF/XAUD60G	1.01	0.97	0.99
YPLC100C16MP13C	XAFD48F	0.99	0.95	0.99
YPLC100C16MP13C	XAHC48F	0.99	0.95	1.01
YPLC100C16MP13C	XAHC60G	1.00	0.97	0.98
YPLC100C16MP13C	XAHD48F	0.99	0.95	1.01
YPLC100C16MP13C	XAHD60G	1.01	0.98	1.01
YPLC100C20MP13C	CF/CM/CU48C	0.99	1.03	0.97
YPLC100C20MP13C	CF/CM/CU48D	1.01	1.07	0.95
YPLC100C20MP13C	CF/CM/CU60C	0.99	1.00	0.95
YPLC100C20MP13C	CF/CM/CU60D	1.02	1.08	0.97
YPLC100C20MP13C	CF/CM64D	1.03	1.08	0.99
YPLC100C20MP13C	XAF/XAUC48F	0.99	0.93	0.93
YPLC100C20MP13C	XAF/XAUC60G	0.99	0.95	0.95
YPLC100C20MP13C	XAF/XAUD60G	1.01	0.95	0.97
YPLC100C20MP13C	XAFD48F	0.99	0.93	0.97
YPLC100C20MP13C	XAHC48F	0.99	0.93	0.97

FURNACE MULTIPLIERS - 4 TON (Continued)

Furnaces	Coil	T.C.	S.C.	kW
YPLC100C20MP13C	XAHC60G	0.99	0.96	0.95
YPLC100C20MP13C	XAHD48F	0.99	0.93	0.97
YPLC100C20MP13C	XAHD60G	1.01	0.95	0.97
YPLC120C20MP13C	CF/CM/CU48C	0.99	1.03	0.97
YPLC120C20MP13C	CF/CM/CU48D	1.01	1.07	0.95
YPLC120C20MP13C	CF/CM/CU60C	0.99	1.00	0.95
YPLC120C20MP13C	CF/CM/CU60D	1.02	1.08	0.97
YPLC120C20MP13C	CF/CM64D	1.03	1.08	0.99
YPLC120C20MP13C	XAF/XAUC48F	0.99	0.93	0.93
YPLC120C20MP13C	XAF/XAUC60G	0.99	0.95	0.95
YPLC120C20MP13C	XAF/XAUD60G	1.01	0.95	0.97
YPLC120C20MP13C	XAFD48F	0.99	0.93	0.97
YPLC120C20MP13C	XAHC48F	0.99	0.93	0.97
YPLC120C20MP13C	XAHC60G	0.99	0.96	0.95
YPLC120C20MP13C	XAHD48F	0.99	0.93	0.97
YPLC120C20MP13C	XAHD60G	1.01	0.95	0.97

PERFORMANCE DATA - 5 TON

CONDENSER-ONLY DATA (OUTDOOR UNIT)																		
MODEL	SATURATED SUCTION AT COMPRESSOR		Outdoor Ambient Temperature															
			55°F		65°F		75°F		85°F		95°F		105°F		115°F		125°F	
	T (°F)	P (PSIG)	MBH	kW	MBH	kW	MBH	kW	MBH	kW	MBH	kW	MBH	kW	MBH	kW	MBH	kW
YCG60B21S	35	107	54.8	3.11	52.2	3.41	49.6	3.76	46.9	4.15	44.0	4.60	41.0	5.12	37.8	5.71	34.4	6.39
	40	118	60.3	3.10	57.4	3.40	54.5	3.75	51.6	4.14	48.5	4.58	45.3	5.10	41.9	5.70	38.3	6.37
	45	130	66.2	3.09	63.0	3.39	59.9	3.73	56.7	4.12	53.3	4.56	49.9	5.08	46.2	5.69	42.3	6.35
	50	142	72.4	3.09	68.9	3.39	65.5	3.72	62.1	4.10	58.5	4.54	54.7	5.06	50.8	5.66	46.7	6.32
	55	156	79.0	3.10	75.3	3.39	71.5	3.72	67.7	4.10	63.9	4.52	59.9	5.04	55.7	5.64	51.3	6.29

Notes:

- For outdoor unit (condenser) performance only. Data does not include the effects of air handler power or heat.
- Performance based on 15°F subcooling and 15°F superheat at the outdoor unit base valves.
 - Increase capacity by 1% for each 2°F increase in subcooling.
 - Decrease capacity by 1% for each 2°F decrease in subcooling.
- Maximum recommended condensing temperature is 140°F.

COOLING PERFORMANCE DATA																
OUTDOOR UNIT MODEL NO.		YCG60B21S														
INDOOR COIL MODEL NO.		CF64DXA1														
AIR TEMPERATURE ENTERING OUTDOOR UNIT (°F)	ID CFM	1525					1725					1925				
	ID DB (°F)	80	80	75	80	80	80	80	75	80	80	80	80	75	80	80
	ID WB (°F)	57	62	62	67	72	57	62	62	67	72	57	62	62	67	72
55	T.C.	54.6	60.1	60.1	66.4	71.3	56.6	61.4	61.4	67.2	72.4	58.7	62.6	62.6	67.9	73.6
	S.C.	54.6	49.8	42.7	42.4	34.1	56.6	52.9	45.0	44.6	35.4	58.7	56.0	47.3	46.8	36.6
	kW	2.91	2.93	2.94	2.93	2.96	2.98	3.00	3.01	3.01	3.04	3.06	3.08	3.09	3.10	3.13
65	T.C.	53.1	57.7	57.6	64.2	69.3	55.0	59.0	58.9	65.3	70.6	56.9	60.3	60.3	66.3	71.8
	S.C.	53.1	48.4	41.2	41.7	33.4	55.0	51.6	43.8	44.0	34.5	56.9	54.9	46.3	46.3	35.7
	kW	3.22	3.24	3.25	3.25	3.27	3.29	3.32	3.32	3.33	3.35	3.37	3.39	3.40	3.41	3.44
75	T.C.	51.6	55.2	55.0	62.0	67.4	53.3	56.6	56.5	63.3	68.7	55.1	58.1	58.1	64.7	70.0
	S.C.	51.6	46.9	39.7	41.0	32.7	53.3	50.4	42.5	43.4	33.7	55.1	53.8	45.2	45.8	34.8
	kW	3.52	3.55	3.56	3.56	3.57	3.60	3.63	3.63	3.64	3.66	3.67	3.70	3.70	3.71	3.74
85	T.C.	49.7	53.2	53.2	59.4	64.1	51.6	54.5	54.4	60.4	65.7	53.4	55.7	55.6	61.5	67.4
	S.C.	49.7	46.2	38.9	39.7	31.1	51.6	49.5	41.5	41.9	32.5	53.4	52.7	44.1	44.2	33.9
	kW	3.96	4.00	4.00	4.00	3.99	4.03	4.07	4.07	4.07	4.07	4.10	4.14	4.14	4.14	4.15
95	T.C.	47.8	51.2	51.3	56.7	60.8	49.8	52.3	52.2	57.5	62.8	51.8	53.4	53.1	58.3	64.8
	S.C.	47.8	45.6	38.0	38.4	29.6	49.8	48.6	40.5	40.5	31.3	51.8	51.7	42.9	42.6	33.1
	kW	4.39	4.44	4.43	4.44	4.40	4.46	4.51	4.50	4.51	4.48	4.52	4.58	4.58	4.58	4.55
105	T.C.	45.5	48.4	48.2	53.4	57.9	47.3	49.4	49.1	54.1	59.4	49.2	50.4	50.1	54.8	60.9
	S.C.	45.5	44.2	36.8	36.9	28.5	47.3	46.9	39.0	38.9	30.2	49.2	49.6	41.2	40.9	31.9
	kW	5.22	5.23	5.27	5.24	5.16	5.26	5.29	5.31	5.29	5.23	5.31	5.36	5.36	5.34	5.30
115	T.C.	43.3	45.7	45.1	50.1	55.1	45.0	46.6	46.1	50.8	56.1	46.6	47.5	47.2	51.5	57.1
	S.C.	43.3	42.9	35.5	35.5	27.4	45.0	45.3	37.5	37.4	29.1	46.6	47.5	39.6	39.3	30.7
	kW	6.02	5.98	6.08	6.02	5.89	6.04	6.05	6.10	6.05	5.96	6.06	6.11	6.11	6.09	6.02
125	T.C.	41.1	43.0	42.0	46.9	52.3	42.6	43.8	43.1	47.5	52.8	44.1	44.5	44.2	48.2	53.3
	S.C.	41.1	41.6	34.2	34.0	26.3	42.6	43.7	36.1	35.9	28.0	44.1	44.5	37.9	37.7	29.6
	kW	6.82	6.74	6.89	6.79	6.62	6.82	6.81	6.88	6.81	6.68	6.82	6.87	6.87	6.83	6.74

Note: All capacities include indoor fan heat. kW values are for the system (outdoor + indoor).

Green shaded cells are ACCA (TVA) conditions.

Blue shaded cells are AHRI conditions.

Multipliers for determining the performance with other indoor sections

Note: For dry bulb temperatures different than those listed (between 73°F to 87°F), sensible capacity increases by 1060 BTUH per 1000 CFM per degree above the listed temperature and decreases by 1060 BTUH per 1000 CFM per degree below the listed temperature.

COIL MULTIPLIERS - 5 TON

Air Handler	Coil	T.C.	S.C.	kW
—	CF/CM/CU60C	0.98	1.00	1.04
—	CF/CM/CU60D	0.98	1.00	1.04
—	CF/CM64D	1.00	1.00	1.00
—	XAF/XAUC60G	0.97	0.98	1.03
—	XAF/XAUD60G	0.97	0.98	1.03
—	XAF/XAUD60H	0.98	0.99	1.00
—	XAFC60H	0.98	0.99	1.00
—	XAHC60G	0.97	0.98	1.03
—	XAHC60H	0.98	0.99	1.00
—	XAHD60G	0.97	0.94	1.03
—	XAHD60H	0.98	0.99	1.00
AE60CX21	—	0.97	0.96	0.99
AE60CX22	—	0.97	1.00	1.00
AE60DX21	—	0.99	1.01	0.97
AP60CX21	—	0.97	0.94	1.05
AP60DX21	—	0.97	0.96	1.03
AP60DX22	—	0.97	0.92	1.03
AP60DX23	—	0.97	0.92	1.03
AVC60CX21	—	0.98	0.99	1.02
AVC60DX21	—	1.00	1.04	1.00
ME16CN21	CF/CM60C	0.97	0.99	0.98
ME20DN21	CF/CM60D	0.99	1.05	0.97
ME20DN21	CF/CM64D	1.01	1.06	0.99
MVC16CN21	CF/CM60C	0.97	1.01	0.97
MVC20DN21	CF/CM60D	0.98	1.01	0.96
MVC20DN21	CF/CM64D	1.00	1.02	0.98

FURNACE MULTIPLIERS - 5 TON

Furnaces	Coil	T.C.	S.C.	kW
TL8E080C16UH11	CF/CM/CU60C	0.95	0.96	1.03
TL8E080C16UH11	CF/CM/CU60D	0.96	0.99	1.02
TL8E080C16UH11	CF/CM64D	0.97	1.00	1.01
TL8E080C16UH11	XAF/XAUC60G	0.95	0.93	1.03
TL8E080C16UH11	XAF/XAUD60G	0.96	0.93	1.02
TL8E080C16UH11	XAF/XAUD60H	0.97	0.95	1.01
TL8E080C16UH11	XAFC60H	0.97	0.95	0.98
TL8E080C16UH11	XAHC60G	0.95	0.93	1.03
TL8E080C16UH11	XAHC60H	0.97	0.95	0.98
TL8E080C16UH11	XAHD60H	0.97	0.95	1.01
TL8E100C20UH11	CF/CM/CU60C	0.96	0.99	1.00
TL8E100C20UH11	CF/CM/CU60D	0.96	0.99	1.00
TL8E100C20UH11	CF/CM64D	0.99	1.02	1.01
TL8E100C20UH11	XAF/XAUC60G	0.96	0.94	1.00
TL8E100C20UH11	XAF/XAUD60G	0.96	0.94	1.00
TL8E100C20UH11	XAF/XAUD60H	0.98	0.96	1.00
TL8E100C20UH11	XAFC60H	0.98	0.96	1.00
TL8E100C20UH11	XAHC60G	0.96	0.94	1.00
TL8E100C20UH11	XAHC60H	0.98	0.96	1.00
TL8E100C20UH11	XAHD60G	0.96	0.94	1.00
TL8E100C20UH11	XAHD60H	0.98	0.96	1.00
TL9E100C20UH11	CF/CM/CU60C	0.96	0.99	1.02
TL9E100C20UH11	CF/CM/CU60D	0.96	0.99	1.02
TL9E100C20UH11	CF/CM64D	0.99	1.02	1.01
TL9E100C20UH11	XAF/XAUC60G	0.96	0.95	1.02

FURNACE MULTIPLIERS - 5 TON (Continued)

Furnaces	Coil	T.C.	S.C.	kW
TL9E100C20UH11	XAF/XAUD60G	0.96	0.95	1.02
TL9E100C20UH11	XAF/XAUD60H	0.98	0.96	1.00
TL9E100C20UH11	XAFC60H	0.98	0.96	1.00
TL9E100C20UH11	XAHC60G	0.96	0.95	1.02
TL9E100C20UH11	XAHC60H	0.98	0.96	1.00
TL9E100C20UH11	XAHD60G	0.96	0.93	1.02
TL9E100C20UH11	XAHD60H	0.98	0.96	1.00
TM8E080C16MP11	CF/CM/CU60C	0.95	0.98	1.01
TM8E080C16MP11	CF/CM/CU60D	0.96	0.99	1.02
TM8E080C16MP11	CF/CM64D	0.98	1.01	1.02
TM8E080C16MP11	XAF/XAUC60G	0.95	0.93	1.01
TM8E080C16MP11	XAF/XAUD60G	0.96	0.93	1.02
TM8E080C16MP11	XAF/XAUD60H	0.97	0.95	1.01
TM8E080C16MP11	XAFC60H	0.97	0.95	0.98
TM8E080C16MP11	XAHC60G	0.95	0.93	1.01
TM8E080C16MP11	XAHC60H	0.97	0.95	1.01
TM8E080C16MP11	XAHD60G	0.96	0.93	1.02
TM8E080C16MP11	XAHD60H	0.97	0.95	1.01
TM8E080C20MP11	CF/CM/CU60C	0.96	0.98	1.00
TM8E080C20MP11	CF/CM/CU60D	0.96	0.98	1.00
TM8E080C20MP11	CF/CM64D	0.99	1.01	0.99
TM8E080C20MP11	XAF/XAUC60G	0.96	0.93	1.00
TM8E080C20MP11	XAF/XAUD60G	0.96	0.93	1.00
TM8E080C20MP11	XAF/XAUD60H	0.97	0.94	0.99
TM8E080C20MP11	XAFC60H	0.97	0.94	0.99
TM8E080C20MP11	XAHC60G	0.96	0.93	1.00
TM8E080C20MP11	XAHC60H	0.97	0.94	0.99
TM8E080C20MP11	XAHD60G	0.96	0.98	1.00
TM8E080C20MP11	XAHD60H	0.97	0.94	0.99
TM8E100C16MP11	CF/CM/CU60C	0.95	0.98	1.01
TM8E100C16MP11	CF/CM/CU60D	0.96	0.99	1.02
TM8E100C16MP11	CF/CM64D	0.98	1.01	1.02
TM8E100C16MP11	XAF/XAUC60G	0.95	0.93	1.01
TM8E100C16MP11	XAF/XAUD60G	0.96	0.93	1.02
TM8E100C16MP11	XAF/XAUD60H	0.97	0.95	1.01
TM8E100C16MP11	XAFC60H	0.97	0.95	0.98
TM8E100C16MP11	XAHC60G	0.95	0.93	1.01
TM8E100C16MP11	XAHC60H	0.97	0.95	1.01
TM8E100C16MP11	XAHD60G	0.96	0.93	1.02
TM8E100C16MP11	XAHD60H	0.97	0.95	1.01
TM8E100C20MP11	CF/CM/CU60C	0.97	1.02	1.05
TM8E100C20MP11	CF/CM/CU60D	0.96	0.98	1.00
TM8E100C20MP11	CF/CM64D	0.99	1.00	0.99
TM8E100C20MP11	XAF/XAUC60G	0.97	0.98	1.03
TM8E100C20MP11	XAF/XAUD60G	0.96	0.98	1.00
TM8E100C20MP11	XAF/XAUD60H	0.98	0.99	1.02
TM8E100C20MP11	XAFC60H	0.98	0.99	1.02
TM8E100C20MP11	XAHC60G	0.97	0.98	1.03
TM8E100C20MP11	XAHC60H	0.98	0.99	1.02
TM8E100C20MP11	XAHD60G	0.96	0.98	1.00
TM8E100C20MP11	XAHD60H	0.98	0.99	1.02
TM8E120C16MP11	CF/CM/CU60C	0.96	0.99	1.02
TM8E120C16MP11	CF/CM/CU60D	0.96	0.99	1.02
TM8E120C16MP11	CF/CM64D	0.98	1.01	1.02

FURNACE MULTIPLIERS - 5 TON (Continued)

Furnaces	Coil	T.C.	S.C.	kW
TM8E120C16MP11	XAF/XAUC60G	0.96	0.93	1.02
TM8E120C16MP11	XAF/XAUD60G	0.96	0.93	1.02
TM8E120C16MP11	XAF/XAUD60H	0.97	0.95	1.01
TM8E120C16MP11	XAFC60H	0.97	0.95	1.01
TM8E120C16MP11	XAHC60G	0.96	0.93	1.02
TM8E120C16MP11	XAHC60H	0.97	0.95	1.01
TM8E120C16MP11	XAHD60G	0.96	0.93	1.02
TM8E120C16MP11	XAHD60H	0.97	0.95	1.01
TM8E120C20MP11	CF/CM/CU60C	0.97	1.02	1.03
TM8E120C20MP11	CF/CM/CU60D	0.95	0.96	0.99
TM8E120C20MP11	CF/CM64D	0.99	1.00	0.99
TM8E120C20MP11	XAF/XAUC60G	0.97	0.98	1.00
TM8E120C20MP11	XAF/XAUD60G	0.97	0.98	1.00
TM8E120C20MP11	XAF/XAUD60H	0.99	1.00	1.03
TM8E120C20MP11	XAFC60H	0.99	1.00	0.99
TM8E120C20MP11	XAHC60G	0.97	0.98	1.00
TM8E120C20MP11	XAHC60H	0.99	1.00	0.99
TM8E120C20MP11	XAHD60G	0.97	0.98	1.00
TM8E120C20MP11	XAHD60H	0.99	1.00	1.03
TM8E130D20MP11	CF/CM/CU60D	0.97	1.00	1.00
TM8E130D20MP11	CF/CM64D	0.99	1.04	0.99
TM8E130D20MP11	XAF/XAUD60G	0.97	0.95	1.00
TM8E130D20MP11	XAF/XAUD60H	0.98	0.96	0.97
TM8E130D20MP11	XAHD60G	0.97	0.95	1.00
TM8E130D20MP11	XAHD60H	0.98	0.96	0.97
TM8V080C16MP12C	CF/CM/CU60C	0.97	1.04	1.02
TM8V080C16MP12C	CF/CM/CU60D	0.98	1.04	1.02
TM8V100C16MP12C	CF/CM/CU60C	0.97	1.04	1.02
TM8V100C16MP12C	CF/CM/CU60D	0.98	1.04	1.02
TM8V100C20MP12C	CF/CM/CU60C	0.97	1.00	0.99
TM8V100C20MP12C	CF/CM/CU60D	0.97	1.00	0.97
TM8V100C20MP12C	CF/CM64D	0.99	1.01	0.99
TM8V100C20MP12C	XAF/XAUC60G	0.97	0.93	0.98
TM8V100C20MP12C	XAF/XAUD60G	0.97	0.93	0.99
TM8V100C20MP12C	XAF/XAUD60H	0.97	0.94	0.99
TM8V100C20MP12C	XAFC60H	0.97	0.94	0.99
TM8V100C20MP12C	XAHC60G	0.97	0.93	0.99
TM8V100C20MP12C	XAHC60H	0.97	0.94	0.99
TM8V100C20MP12C	XAHD60G	0.97	0.93	0.98
TM8V100C20MP12C	XAHD60H	0.97	0.94	0.99
TM8V120C20MP12C	CF/CM/CU60C	0.97	1.00	0.99
TM8V120C20MP12C	CF/CM/CU60D	0.97	1.00	0.97
TM8V120C20MP12C	CF/CM64D	0.99	1.01	0.99
TM8V120C20MP12C	XAF/XAUC60G	0.97	0.93	0.98
TM8V120C20MP12C	XAF/XAUD60G	0.97	0.93	0.99
TM8V120C20MP12C	XAF/XAUD60H	0.97	0.94	0.99
TM8V120C20MP12C	XAFC60H	0.97	0.94	0.99
TM8V120C20MP12C	XAHC60G	0.97	0.93	0.99
TM8V120C20MP12C	XAHC60H	0.97	0.94	0.99
TM8V120C20MP12C	XAHD60G	0.97	0.93	0.98
TM8V120C20MP12C	XAHD60H	0.97	0.94	0.99
TM8X080C16MP11	CF/CM/CU60C	0.97	0.99	1.00
TM8X080C16MP11	CF/CM/CU60D	0.97	1.00	1.01
TM8X080C16MP11	CF/CM64D	0.98	1.00	1.00

FURNACE MULTIPLIERS - 5 TON (Continued)

Furnaces	Coil	T.C.	S.C.	kW
TM8X100C16MP11	CF/CM/CU60C	0.97	0.99	1.00
TM8X100C16MP11	CF/CM/CU60D	0.97	1.00	1.01
TM8X100C16MP11	CF/CM64D	0.98	1.00	1.00
TM8X100C20MP11	CF/CM/CU60C	0.97	1.00	0.99
TM8X100C20MP11	CF/CM/CU60D	0.98	1.02	0.98
TM8X100C20MP11	CF/CM64D	0.99	1.01	0.99
TM8X120C20MP11	CF/CM/CU60C	0.97	1.00	0.99
TM8X120C20MP11	CF/CM/CU60D	0.98	1.02	0.98
TM8X120C20MP11	CF/CM64D	0.99	1.01	0.99
TM8Y080C16MP11	CF/CM/CU60C	0.97	0.99	1.00
TM8Y080C16MP11	CF/CM/CU60D	0.97	1.00	1.01
TM8Y080C16MP11	CF/CM64D	0.98	1.00	1.00
TM8Y080C16MP11	XAF/XAUD60G	0.96	0.93	1.00
TM8Y080C16MP11	XAF/XAUD60H	0.97	0.95	1.01
TM8Y080C16MP11	XAFC60H	0.97	0.95	1.01
TM8Y080C16MP11	XAHC60G	0.96	0.93	1.00
TM8Y080C16MP11	XAHC60H	0.97	0.95	1.01
TM8Y100C16MP11	CF/CM/CU60C	0.97	0.99	1.00
TM8Y100C16MP11	CF/CM/CU60D	0.97	1.00	1.01
TM8Y100C16MP11	CF/CM64D	0.98	1.00	1.00
TM8Y100C16MP11	XAF/XAUD60G	0.96	0.93	1.00
TM8Y100C16MP11	XAF/XAUD60H	0.97	0.95	1.01
TM8Y100C16MP11	XAFC60H	0.97	0.95	1.01
TM8Y100C16MP11	XAHC60G	0.96	0.93	1.00
TM8Y100C16MP11	XAHC60H	0.97	0.95	1.01
TM8Y100C20MP11	CF/CM/CU60C	0.97	1.00	0.99
TM8Y100C20MP11	CF/CM/CU60D	0.98	1.02	0.98
TM8Y100C20MP11	CF/CM64D	0.99	1.01	0.99
TM8Y100C20MP11	XAF/XAUC60G	0.96	0.93	0.98
TM8Y100C20MP11	XAF/XAUD60G	0.96	0.93	0.98
TM8Y100C20MP11	XAF/XAUD60H	0.97	0.94	0.99
TM8Y100C20MP11	XAFC60H	0.97	0.94	0.99
TM8Y100C20MP11	XAHC60G	0.96	0.93	0.98
TM8Y100C20MP11	XAHC60H	0.97	0.94	0.99
TM8Y100C20MP11	XAHD60H	0.97	0.94	0.99
TM8Y120C20MP11	CF/CM/CU60C	0.97	1.00	0.99
TM8Y120C20MP11	CF/CM/CU60D	0.98	1.02	0.98
TM8Y120C20MP11	CF/CM64D	0.99	1.01	0.99
TM8Y120C20MP11	XAF/XAUC60G	0.96	0.93	0.98
TM8Y120C20MP11	XAF/XAUD60G	0.96	0.93	0.98
TM8Y120C20MP11	XAF/XAUD60H	0.97	0.94	0.99
TM8Y120C20MP11	XAFC60H	0.97	0.94	0.99
TM8Y120C20MP11	XAHC60G	0.96	0.93	0.98
TM8Y120C20MP11	XAHC60H	0.97	0.94	0.99
TM8Y120C20MP11	XAHD60H	0.97	0.94	0.99
TM9E080C20MP12	CF/CM/CU60C	0.97	1.02	1.05
TM9E080C20MP12	CF/CM/CU60D	0.95	0.96	0.99
TM9E080C20MP12	CF/CM64D	1.00	1.06	1.04
TM9E080C20MP12	XAF/XAUC60G	0.97	0.98	1.03
TM9E080C20MP12	XAF/XAUD60G	0.97	0.98	1.00
TM9E080C20MP12	XAF/XAUD60H	0.99	1.00	1.03
TM9E080C20MP12	XAFC60H	0.99	1.00	0.99
TM9E080C20MP12	XAHC60G	0.97	0.98	1.03
TM9E080C20MP12	XAHC60H	0.99	1.00	0.99

FURNACE MULTIPLIERS - 5 TON (Continued)

Furnaces	Coil	T.C.	S.C.	kW
TM9E080C20MP12	XAHD60G	0.95	0.96	0.99
TM9E080C20MP12	XAHD60H	0.98	0.99	1.02
TM9E100C16MP12	CF/CM/CU60D	0.95	0.98	1.03
TM9E100C20MP11	CF/CM/CU60C	0.97	0.99	1.00
TM9E100C20MP11	CF/CM/CU60D	0.97	1.00	0.99
TM9E100C20MP11	CF/CM64D	0.99	1.01	1.01
TM9E100C20MP12	CF/CM/CU60C	0.97	1.01	1.03
TM9E100C20MP12	CF/CM/CU60D	0.96	0.98	1.00
TM9E100C20MP12	CF/CM64D	0.99	1.00	0.99
TM9E100C20MP12	XAF/XAUC60G	0.97	0.96	1.00
TM9E100C20MP12	XAF/XAUD60G	0.96	0.98	1.00
TM9E100C20MP12	XAF/XAUD60H	0.98	0.99	1.02
TM9E100C20MP12	XAFC60H	0.98	0.99	1.02
TM9E100C20MP12	XAHC60G	0.97	0.96	1.00
TM9E100C20MP12	XAHC60H	0.98	0.99	1.02
TM9E100C20MP12	XAHD60G	0.96	0.96	1.00
TM9E100C20MP12	XAHD60H	0.98	0.99	1.02
TM9E120D20MP11	CF/CM/CU60D	0.98	1.02	1.00
TM9E120D20MP11	CF/CM64D	0.99	1.02	0.99
TM9E120D20MP12	CF/CM/CU60D	0.96	0.99	1.02
TM9E120D20MP12	CF/CM64D	0.99	1.02	1.01
TM9E120D20MP12	XAF/XAUD60G	0.96	0.95	1.02
TM9E120D20MP12	XAF/XAUD60H	0.98	0.96	1.00
TM9E120D20MP12	XAHD60G	0.96	0.93	1.02
TM9E120D20MP12	XAHD60H	0.98	0.96	1.00
TM9V080C16MP11C	CF/CM/CU60D	0.95	0.96	1.01
TM9V080C16MP12C	CF/CM/CU60D	0.95	0.96	1.01
TM9V100C16MP12C	CF/CM/CU60C	0.97	1.01	1.01
TM9V100C16MP12C	CF/CM/CU60D	0.97	1.01	0.99
TM9V100C16MP12C	CF/CM64D	0.99	1.02	1.01
TM9V100C16MP12C	XAF/XAUC60G	0.97	0.94	0.98
TM9V100C16MP12C	XAF/XAUD60G	0.97	0.94	1.00
TM9V100C16MP12C	XAF/XAUD60H	0.97	0.96	1.01
TM9V100C16MP12C	XAFC60H	0.97	0.96	0.98
TM9V100C16MP12C	XAHC60G	0.97	0.94	0.98
TM9V100C16MP12C	XAHC60H	0.97	0.95	0.98
TM9V100C16MP12C	XAHD60G	0.97	0.95	1.03
TM9V100C16MP12C	XAHD60H	0.97	0.96	1.01
TM9V100C20MP12C	CF/CM/CU60C	0.97	1.01	1.01
TM9V100C20MP12C	CF/CM64D	0.99	1.02	1.01
TM9V100C20MP12C	XAF/XAUC60G	0.97	0.94	0.98
TM9V100C20MP12C	XAF/XAUD60G	0.97	0.95	1.00
TM9V100C20MP12C	XAF/XAUD60H	0.97	0.95	1.01
TM9V100C20MP12C	XAFC60H	0.97	0.95	0.98
TM9V100C20MP12C	XAHC60G	0.97	0.94	0.98
TM9V100C20MP12C	XAHC60H	0.97	0.95	1.01
TM9V100C20MP12C	XAHD60G	0.97	0.94	0.99
TM9V100C20MP12C	XAHD60H	0.97	0.96	1.01
TM9V120D20MP12C	CF/CM/CU60D	0.98	1.02	0.98
TM9V120D20MP12C	CF/CM64D	0.99	1.02	0.99
TM9V120D20MP12C	XAF/XAUD60G	0.97	0.94	0.99
TM9V120D20MP12C	XAF/XAUD60H	0.98	0.95	0.96
TM9V120D20MP12C	XAHD60G	0.97	0.94	0.98
TM9V120D20MP12C	XAHD60H	0.97	0.95	0.96

FURNACE MULTIPLIERS - 5 TON (Continued)

Furnaces	Coil	T.C.	S.C.	kW
TM9Y100C20MP11	CF/CM/CU60C	0.97	0.99	1.00
TM9Y100C20MP11	CF/CM/CU60D	0.97	1.00	0.99
TM9Y100C20MP11	CF/CM64D	0.99	1.01	1.01
TM9Y100C20MP11	XAF/XAUD60G	0.96	0.93	1.00
TM9Y100C20MP11	XAFC60H	0.97	0.95	0.97
TM9Y100C20MP11	XAHC60G	0.96	0.93	1.00
TM9Y100C20MP11	XAHC60H	0.97	0.95	0.97
TM9Y120D20MP11	CF/CM/CU60D	0.98	1.02	1.00
TM9Y120D20MP11	CF/CM64D	0.99	1.02	0.99
TM9Y120D20MP11	XAF/XAUD60G	0.97	0.94	0.98
TM9Y120D20MP11	XAF/XAUD60H	0.97	0.95	0.99
TM9Y120D20MP11	XAHD60G	0.96	0.93	1.00
TM9Y120D20MP11	XAHD60H	0.97	0.95	0.99
TMLE080C16MP11	XAF/XAUC60G	0.95	0.93	1.01
TMLE080C16MP11	XAF/XAUD60G	0.96	0.93	1.02
TMLE080C16MP11	XAF/XAUD60H	0.97	0.95	1.01
TMLE080C16MP11	XAFC60H	0.97	0.95	0.98
TMLE080C16MP11	XAHC60G	0.95	0.93	1.01
TMLE080C16MP11	XAHC60H	0.97	0.95	1.01
TMLE080C16MP11	XAHD60G	0.96	0.93	1.02
TMLE080C16MP11	XAHD60H	0.97	0.95	1.01
TMLE080C20MP11	XAF/XAUC60G	0.96	0.93	1.00
TMLE080C20MP11	XAF/XAUD60G	0.96	0.93	1.00
TMLE080C20MP11	XAF/XAUD60H	0.97	0.94	0.99
TMLE080C20MP11	XAFC60H	0.97	0.94	0.99
TMLE080C20MP11	XAHC60G	0.96	0.93	1.00
TMLE080C20MP11	XAHC60H	0.97	0.94	0.99
TMLE080C20MP11	XAHD60G	0.96	0.98	1.00
TMLE080C20MP11	XAHD60H	0.97	0.94	0.99
TMLE100C16MP11	XAF/XAUC60G	0.95	0.93	1.01
TMLE100C16MP11	XAF/XAUD60G	0.96	0.93	1.02
TMLE100C16MP11	XAF/XAUD60H	0.97	0.95	1.01
TMLE100C16MP11	XAFC60H	0.97	0.95	0.98
TMLE100C16MP11	XAHC60G	0.95	0.93	1.01
TMLE100C16MP11	XAHC60H	0.97	0.95	1.01
TMLE100C16MP11	XAHD60G	0.96	0.93	1.02
TMLE100C16MP11	XAHD60H	0.97	0.95	1.01
TMLE100C20MP11	XAF/XAUC60G	0.97	0.98	1.03
TMLE100C20MP11	XAF/XAUD60G	0.96	0.98	1.00
TMLE100C20MP11	XAF/XAUD60H	0.98	0.99	1.02
TMLE100C20MP11	XAFC60H	0.98	0.99	1.02
TMLE100C20MP11	XAHC60G	0.97	0.98	1.03
TMLE100C20MP11	XAHC60H	0.98	0.99	1.02
TMLE100C20MP11	XAHD60G	0.96	0.98	1.00
TMLE100C20MP11	XAHD60H	0.98	0.99	1.02
TMLE120C16MP11	XAF/XAUC60G	0.96	0.93	1.02
TMLE120C16MP11	XAF/XAUD60G	0.96	0.93	1.02
TMLE120C16MP11	XAF/XAUD60H	0.97	0.95	1.01
TMLE120C16MP11	XAFC60H	0.97	0.95	1.01
TMLE120C16MP11	XAHC60G	0.96	0.93	1.02
TMLE120C16MP11	XAHC60H	0.97	0.95	1.01
TMLE120C16MP11	XAHD60G	0.96	0.93	1.02
TMLE120C16MP11	XAHD60H	0.97	0.95	1.01
TMLE120C20MP11	XAF/XAUC60G	0.97	0.98	1.00

FURNACE MULTIPLIERS - 5 TON (Continued)

Furnaces	Coil	T.C.	S.C.	kW
TMLE120C20MP11	XAF/XAUD60G	0.97	0.98	1.00
TMLE120C20MP11	XAF/XAUD60H	0.99	1.00	1.03
TMLE120C20MP11	XAFC60H	0.99	1.00	0.99
TMLE120C20MP11	XAHC60G	0.97	0.98	1.00
TMLE120C20MP11	XAHC60H	0.99	1.00	0.99
TMLE120C20MP11	XAHD60G	0.97	0.98	1.00
TMLE120C20MP11	XAHD60H	0.99	1.00	1.03
TMLE130D20MP11	XAF/XAUD60G	0.97	0.95	1.00
TMLE130D20MP11	XAF/XAUD60H	0.98	0.96	0.97
TMLE130D20MP11	XAHD60G	0.97	0.95	1.00
TMLE130D20MP11	XAHD60H	0.98	0.96	0.97
TMLV080C16MP12C	CF/CM/CU60C	0.97	1.04	1.02
TMLV080C16MP12C	CF/CM/CU60D	0.98	1.04	1.02
TMLV100C16MP12C	CF/CM/CU60C	0.97	1.04	1.02
TMLV100C16MP12C	CF/CM/CU60D	0.98	1.04	1.02
TMLV100C20MP12C	CF/CM/CU60C	0.97	1.00	0.99
TMLV100C20MP12C	CF/CM/CU60D	0.97	1.00	0.97
TMLV100C20MP12C	CF/CM64D	0.99	1.01	0.99
TMLV120C20MP12C	CF/CM/CU60C	0.97	1.00	0.99
TMLV120C20MP12C	CF/CM/CU60D	0.97	1.00	0.97
TMLV120C20MP12C	CF/CM64D	0.99	1.01	0.99
TMLV120C20MP12C	XAF/XAUC60G	0.97	0.93	0.98
TMLV120C20MP12C	XAF/XAUD60G	0.97	0.93	0.99
TMLV120C20MP12C	XAF/XAUD60H	0.97	0.94	0.99
TMLV120C20MP12C	XAFC60H	0.97	0.94	0.99
TMLV120C20MP12C	XAHC60G	0.97	0.93	0.99
TMLV120C20MP12C	XAHC60H	0.97	0.94	0.99
TMLV120C20MP12C	XAHD60G	0.97	0.93	0.98
TMLV120C20MP12C	XAHD60H	0.97	0.94	0.99
TMLX080C16MP11	CF/CM/CU60C	0.97	0.99	1.00
TMLX080C16MP11	CF/CM/CU60D	0.97	1.00	1.01
TMLX080C16MP11	CF/CM64D	0.98	1.00	1.00
TMLX100C16MP11	CF/CM/CU60C	0.97	0.99	1.00
TMLX100C16MP11	CF/CM/CU60D	0.97	1.00	1.01
TMLX100C16MP11	CF/CM64D	0.98	1.00	1.00
TMLX100C20MP11	CF/CM/CU60C	0.97	1.00	0.99
TMLX100C20MP11	CF/CM/CU60D	0.98	1.02	0.98
TMLX100C20MP11	CF/CM64D	0.99	1.01	0.99
TMLX120C20MP11	CF/CM/CU60C	0.97	1.00	0.99
TMLX120C20MP11	CF/CM/CU60D	0.98	1.02	0.98
TMLX120C20MP11	CF/CM64D	0.99	1.01	0.99
TP9C080C16MP13C	CF/CM/CU60D	0.95	0.96	1.01
TP9C100C16MP13C	CF/CM/CU60C	0.97	1.01	1.01
TP9C100C16MP13C	CF/CM/CU60D	0.97	1.01	0.99
TP9C100C16MP13C	CF/CM64D	0.99	1.02	1.01
TP9C100C16MP13C	XAF/XAUC60G	0.97	0.94	0.98
TP9C100C16MP13C	XAF/XAUD60G	0.97	0.94	1.00
TP9C100C16MP13C	XAF/XAUD60H	0.97	0.96	1.01
TP9C100C16MP13C	XAFC60H	0.97	0.96	0.98
TP9C100C16MP13C	XAHC60G	0.97	0.94	0.98
TP9C100C16MP13C	XAHC60H	0.97	0.95	0.98
TP9C100C16MP13C	XAHD60G	0.97	0.95	1.03
TP9C100C16MP13C	XAHD60H	0.97	0.96	1.01
TP9C100C20MP13C	CF/CM/CU60C	0.97	1.01	1.01

FURNACE MULTIPLIERS - 5 TON (Continued)

Furnaces	Coil	T.C.	S.C.	kW
TP9C100C20MP13C	CF/CM64D	0.99	1.02	1.01
TP9C100C20MP13C	XAF/XAUC60G	0.97	0.94	0.98
TP9C100C20MP13C	XAF/XAUD60G	0.97	0.95	1.00
TP9C100C20MP13C	XAF/XAUD60H	0.97	0.95	1.01
TP9C100C20MP13C	XAFC60H	0.97	0.95	0.98
TP9C100C20MP13C	XAHC60G	0.97	0.94	0.98
TP9C100C20MP13C	XAHC60H	0.97	0.95	1.01
TP9C100C20MP13C	XAHD60G	0.97	0.94	0.99
TP9C100C20MP13C	XAHD60H	0.97	0.96	1.01
TP9C120D20MP13C	CF/CM/CU60D	0.98	1.02	0.98
TP9C120D20MP13C	CF/CM64D	0.99	1.02	0.99
TP9C120D20MP13C	XAF/XAUD60G	0.97	0.94	0.99
TP9C120D20MP13C	XAF/XAUD60H	0.98	0.95	0.96
TP9C120D20MP13C	XAHD60G	0.97	0.94	0.98
TP9C120D20MP13C	XAHD60H	0.97	0.95	0.96
TPLC080C16MP13C	CF/CM/CU60C	0.97	1.04	1.02
TPLC080C16MP13C	CF/CM/CU60D	0.98	1.04	1.02
TPLC100C16MP13C	CF/CM/CU60C	0.97	1.04	1.02
TPLC100C16MP13C	CF/CM/CU60D	0.98	1.04	1.02
TPLC100C20MP13C	CF/CM/CU60C	0.97	1.00	0.99
TPLC100C20MP13C	CF/CM/CU60D	0.97	1.00	0.97
TPLC100C20MP13C	CF/CM64D	0.99	1.01	0.99
TPLC100C20MP13C	XAF/XAUC60G	0.97	0.93	0.98
TPLC100C20MP13C	XAF/XAUD60G	0.97	0.93	0.99
TPLC100C20MP13C	XAF/XAUD60H	0.97	0.94	0.99
TPLC100C20MP13C	XAFC60H	0.97	0.94	0.99
TPLC100C20MP13C	XAHC60G	0.97	0.93	0.99
TPLC100C20MP13C	XAHC60H	0.97	0.94	0.99
TPLC100C20MP13C	XAHD60G	0.97	0.93	0.98
TPLC100C20MP13C	XAHD60H	0.97	0.94	0.99
TPLC120C20MP13C	CF/CM/CU60C	0.97	1.00	0.99
TPLC120C20MP13C	CF/CM/CU60D	0.97	1.00	0.97
TPLC120C20MP13C	CF/CM64D	0.99	1.01	0.99
TPLC120C20MP13C	XAF/XAUC60G	0.97	0.93	0.98
TPLC120C20MP13C	XAF/XAUD60G	0.97	0.93	0.99
TPLC120C20MP13C	XAF/XAUD60H	0.97	0.94	0.99
TPLC120C20MP13C	XAFC60H	0.97	0.94	0.99
TPLC120C20MP13C	XAHC60G	0.97	0.93	0.99
TPLC120C20MP13C	XAHC60H	0.97	0.94	0.99
TPLC120C20MP13C	XAHD60G	0.97	0.93	0.98
TPLC120C20MP13C	XAHD60H	0.97	0.94	0.99
YP9C080C16MP13C	CF/CM/CU60D	0.95	0.96	1.01
YP9C100C16MP13C	CF/CM/CU60C	0.97	1.01	1.01
YP9C100C16MP13C	CF/CM/CU60D	0.97	1.01	0.99
YP9C100C16MP13C	CF/CM64D	0.99	1.02	1.01
YP9C100C16MP13C	XAF/XAUC60G	0.97	0.94	0.98
YP9C100C16MP13C	XAF/XAUD60G	0.97	0.94	1.00
YP9C100C16MP13C	XAF/XAUD60H	0.97	0.96	1.01
YP9C100C16MP13C	XAFC60H	0.97	0.96	0.98
YP9C100C16MP13C	XAHC60G	0.97	0.94	0.98
YP9C100C16MP13C	XAHC60H	0.97	0.95	0.98
YP9C100C16MP13C	XAHD60G	0.97	0.95	1.03
YP9C100C16MP13C	XAHD60H	0.97	0.96	1.01
YP9C100C20MP13C	CF/CM/CU60C	0.97	1.01	1.01

FURNACE MULTIPLIERS - 5 TON (Continued)

Furnaces	Coil	T.C.	S.C.	kW
YP9C100C20MP13C	CF/CM64D	0.99	1.02	1.01
YP9C100C20MP13C	XAF/XAUC60G	0.97	0.94	0.98
YP9C100C20MP13C	XAF/XAUD60G	0.97	0.95	1.00
YP9C100C20MP13C	XAF/XAUD60H	0.97	0.95	1.01
YP9C100C20MP13C	XAFC60H	0.97	0.95	0.98
YP9C100C20MP13C	XAHC60G	0.97	0.94	0.98
YP9C100C20MP13C	XAHC60H	0.97	0.95	1.01
YP9C100C20MP13C	XAHD60G	0.97	0.94	0.99
YP9C100C20MP13C	XAHD60H	0.97	0.96	1.01
YP9C120D20MP13C	CF/CM/CU60D	0.98	1.02	0.98
YP9C120D20MP13C	CF/CM64D	0.99	1.02	0.99
YP9C120D20MP13C	XAF/XAUD60G	0.97	0.94	0.99
YP9C120D20MP13C	XAF/XAUD60H	0.98	0.95	0.96
YP9C120D20MP13C	XAHD60G	0.97	0.94	0.98
YP9C120D20MP13C	XAHD60H	0.97	0.95	0.96
YPLC080C16MP13C	CF/CM/CU60C	0.97	1.04	1.02
YPLC080C16MP13C	CF/CM/CU60D	0.98	1.04	1.02
YPLC100C16MP13C	CF/CM/CU60C	0.97	1.04	1.02
YPLC100C16MP13C	CF/CM/CU60D	0.98	1.04	1.02
YPLC100C20MP13C	CF/CM/CU60C	0.97	1.00	0.99
YPLC100C20MP13C	CF/CM/CU60D	0.97	1.00	0.97
YPLC100C20MP13C	CF/CM64D	0.99	1.01	0.99

FURNACE MULTIPLIERS - 5 TON (Continued)

Furnaces	Coil	T.C.	S.C.	kW
YPLC100C20MP13C	XAF/XAUC60G	0.97	0.93	0.98
YPLC100C20MP13C	XAF/XAUD60G	0.97	0.93	0.99
YPLC100C20MP13C	XAF/XAUD60H	0.97	0.94	0.99
YPLC100C20MP13C	XAFC60H	0.97	0.94	0.99
YPLC100C20MP13C	XAHC60G	0.97	0.93	0.99
YPLC100C20MP13C	XAHC60H	0.97	0.94	0.99
YPLC100C20MP13C	XAHD60G	0.97	0.93	0.98
YPLC100C20MP13C	XAHD60H	0.97	0.94	0.99
YPLC120C20MP13C	CF/CM/CU60C	0.97	1.00	0.99
YPLC120C20MP13C	CF/CM/CU60D	0.97	1.00	0.97
YPLC120C20MP13C	CF/CM64D	0.99	1.01	0.99
YPLC120C20MP13C	XAF/XAUC60G	0.97	0.93	0.98
YPLC120C20MP13C	XAF/XAUD60G	0.97	0.93	0.99
YPLC120C20MP13C	XAF/XAUD60H	0.97	0.94	0.99
YPLC120C20MP13C	XAFC60H	0.97	0.94	0.99
YPLC120C20MP13C	XAHC60G	0.97	0.93	0.99
YPLC120C20MP13C	XAHC60H	0.97	0.94	0.99
YPLC120C20MP13C	XAHD60G	0.97	0.93	0.98
YPLC120C20MP13C	XAHD60H	0.97	0.94	0.99